



US00D654466S

(12) **United States Design Patent**
Duan et al.

(10) **Patent No.:** **US D654,466 S**
(45) **Date of Patent:** **** Feb. 21, 2012**

(54) **MOBILE PHONE**

(75) Inventors: **Chao Duan**, Shenzhen (CN); **Chia-Hua Chen**, Shindian (TW)

(73) Assignee: **FIH (Hong Kong) Limited**, Kowloon (HK)

(**) Term: **14 Years**

(21) Appl. No.: **29/402,831**

(22) Filed: **Sep. 28, 2011**

(51) **LOC (9) Cl.** **14-03**

(52) **U.S. Cl.** **D14/138 AB**

(58) **Field of Classification Search** D14/138 AD, D14/138 G, 138 R, 138 AC, 496, 341, 345, D14/346, 203.7, 203.4, 203.3, 203.1, 248, D14/218, 138 AB, 191; 455/575.1, 556.2, 455/556.1, 575.4, 566, 575.3; D10/65; 379/433.01, 379/433.04, 433.11, 433.12, 433.13; D21/329-331, D21/517

See application file for complete search history.

(56) **References Cited**

U.S. PATENT DOCUMENTS

D321,865 S * 11/1991 Derocher D14/345
D467,235 S * 12/2002 Hawkins et al. D14/138 AB
D488,790 S * 4/2004 Peng et al. D14/138 AB
D502,701 S * 3/2005 Takuma D14/345
D520,976 S * 5/2006 LaDelfa D14/138 AB
D563,933 S * 3/2008 Lee et al. D14/138 AB
D567,207 S * 4/2008 Kim et al. D14/138 AB

(Continued)

OTHER PUBLICATIONS

Motorola XT810 telephone, announced Sep. 2010, [online], [site visited Dec. 16, 2011]. Available from Internet, <URL: <http://www.gsmarena.com>>.*

(Continued)

Primary Examiner — Jeffrey D Asch

(74) *Attorney, Agent, or Firm* — Altis Law Group, Inc.

(57) **CLAIM**

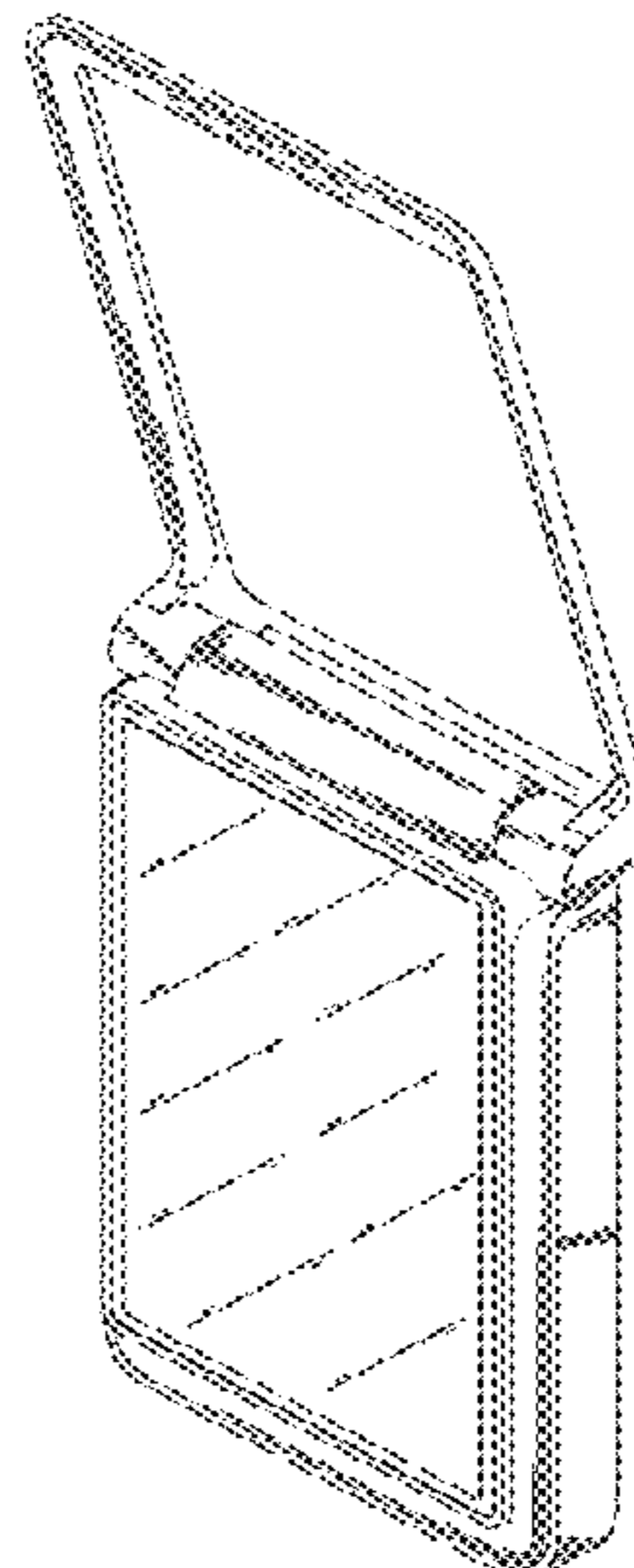
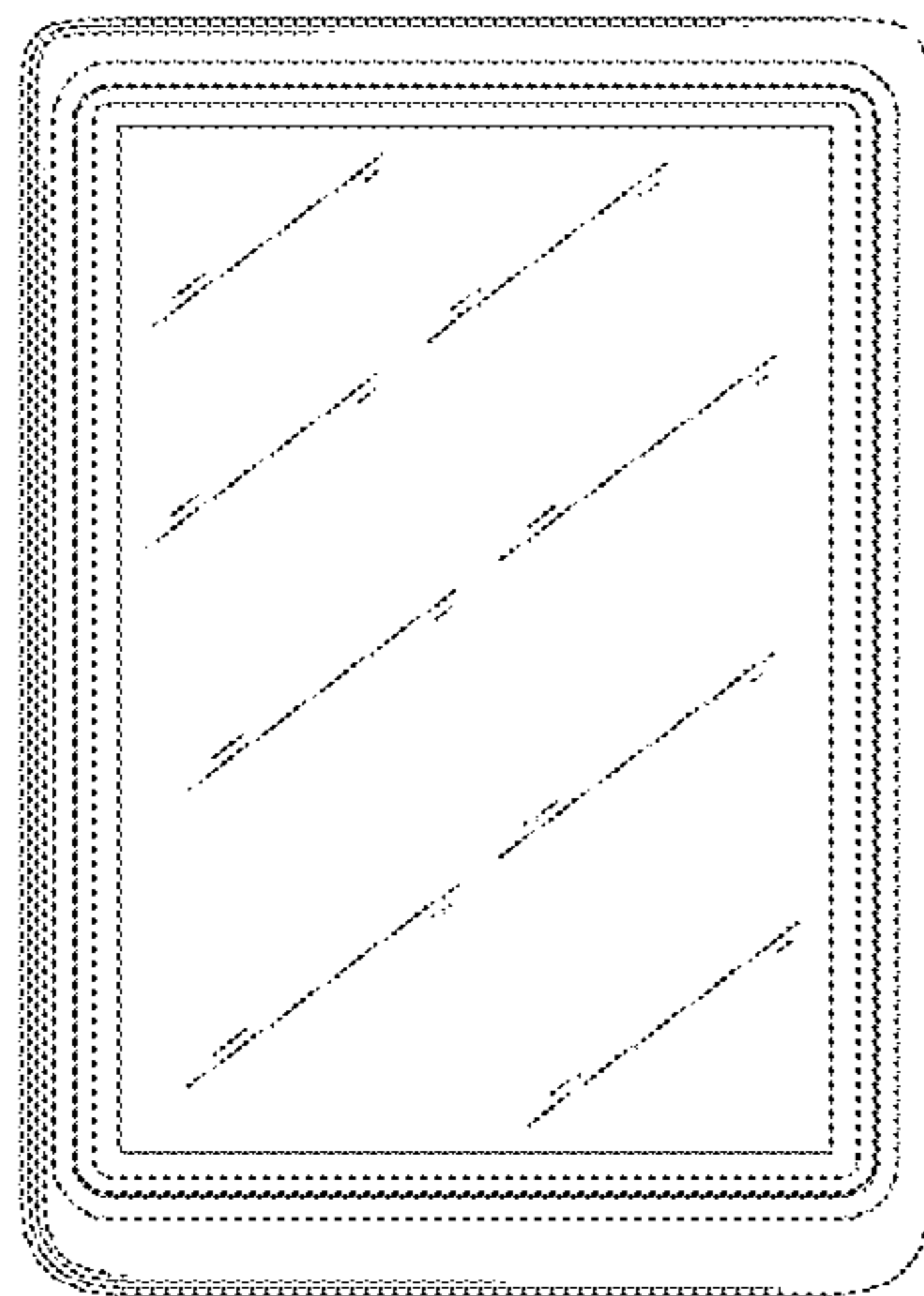
The ornamental design for a mobile phone, as shown and described.

DESCRIPTION

FIG. 1 is a perspective view of a mobile phone showing our new design and in a first configuration;
FIG. 2 is a front elevational view of the new design and in the first configuration;
FIG. 3 is a rear elevational view of the new design and in the first configuration;
FIG. 4 is a right side elevational view of the new design and in the first configuration;
FIG. 5 is a left side elevational view of the new design and in the first configuration;
FIG. 6 is a top plan view of the new design and in the first configuration;
FIG. 7 is a bottom plan view of the new design and in the first configuration;
FIG. 8 is a perspective view of the mobile phone of FIG. 1 in a second configuration;
FIG. 9 is a front elevational view of the new design and in the second configuration;
FIG. 10 is a rear elevational view of the new design and in the second configuration;
FIG. 11 is a right side elevational view of the new design and in the second configuration;
FIG. 12 is a left side elevational view of the new design and in the second configuration;
FIG. 13 is a top plan view of the new design and in the second configuration; and,
FIG. 14 is a bottom plan view of the new design and in the second configuration.

The broken lines shown throughout the views, which are immediately adjacent to the shaded areas and define unshaded regions, represent the bounds of the claimed design; the broken lines form no part of the claimed design.

1 Claim, 14 Drawing Sheets



US D654,466 S

Page 2

U.S. PATENT DOCUMENTS

D575,760 S * 8/2008 Kim et al. D14/138 G
D579,906 S * 11/2008 Kim et al. D14/138 AD
D583,791 S * 12/2008 Minamide et al. D14/138 AB
D583,793 S * 12/2008 Tkachuk D14/138 AB
D586,773 S * 2/2009 Kim et al. D14/138 AB
D614,602 S * 4/2010 Yoo D14/203.7
D626,931 S * 11/2010 Kim et al. D14/138 AB
D627,324 S * 11/2010 Kim et al. D14/138 AB
D627,325 S * 11/2010 Zhang et al. D14/138 AB
D643,010 S * 8/2011 Park et al. D14/138 AB
D643,011 S * 8/2011 Park et al. D14/138 AB
D647,867 S * 11/2011 Chung D14/138 AB
D648,697 S * 11/2011 Castano D14/138 AB

D649,954 S * 12/2011 Baik et al. D14/138 AB
2006/0256960 A1* 11/2006 Bae et al. 379/433.11
2010/0075726 A1* 3/2010 Han et al. 455/575.3
2011/0263304 A1* 10/2011 Laido et al. 455/575.3

OTHER PUBLICATIONS

Motorola MT810lx telephone, announced Nov. 2010, [online], [site visited Dec. 16, 2011]. Available from Internet, <URL: <http://www.gsmarena.com>>.*

Samsung Armani telephone, announced Dec. 2007, [online], [site visited Dec. 16, 2011]. Available from Internet, <URL: <http://www.gsmarena.com>>.*

* cited by examiner

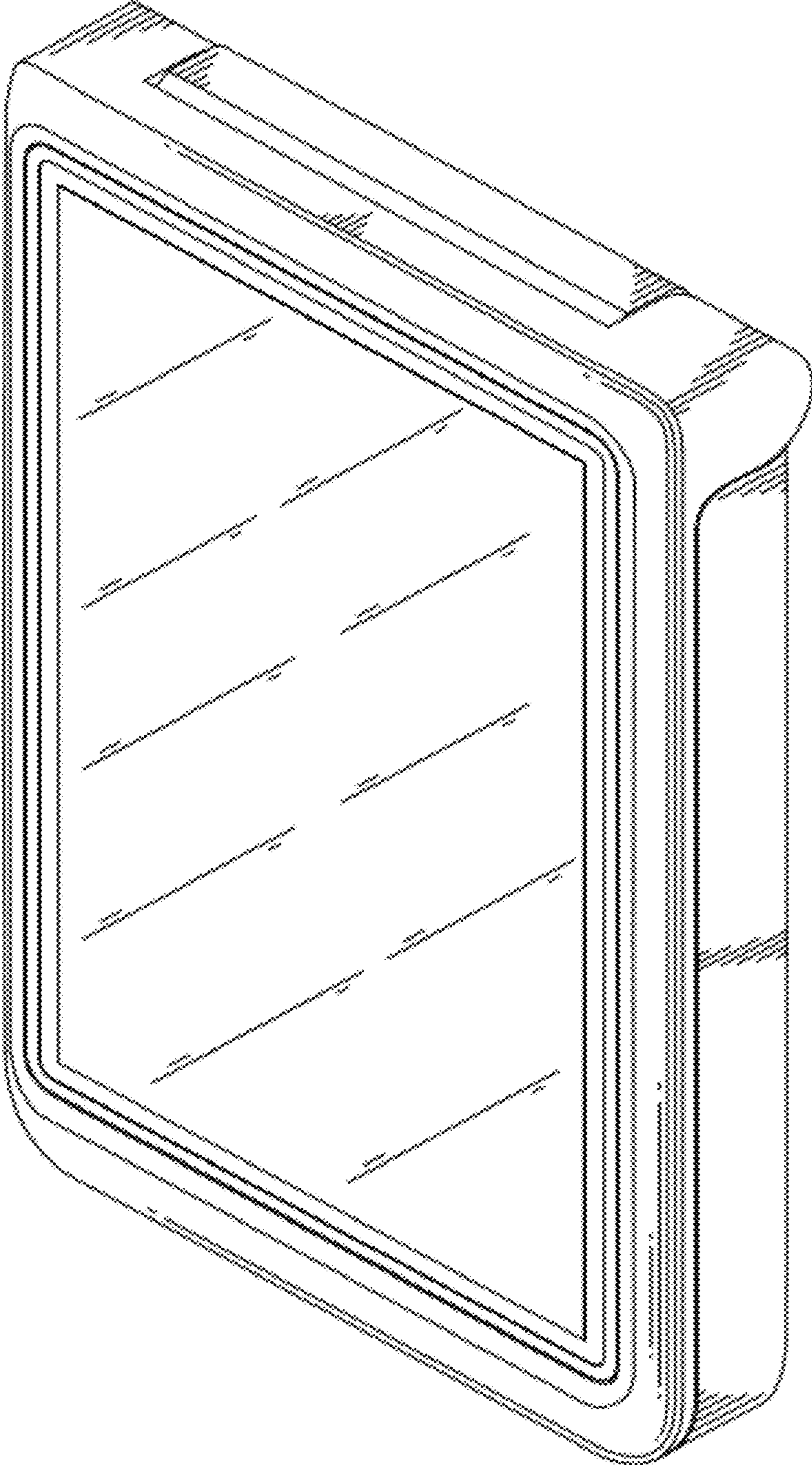


FIG. 1

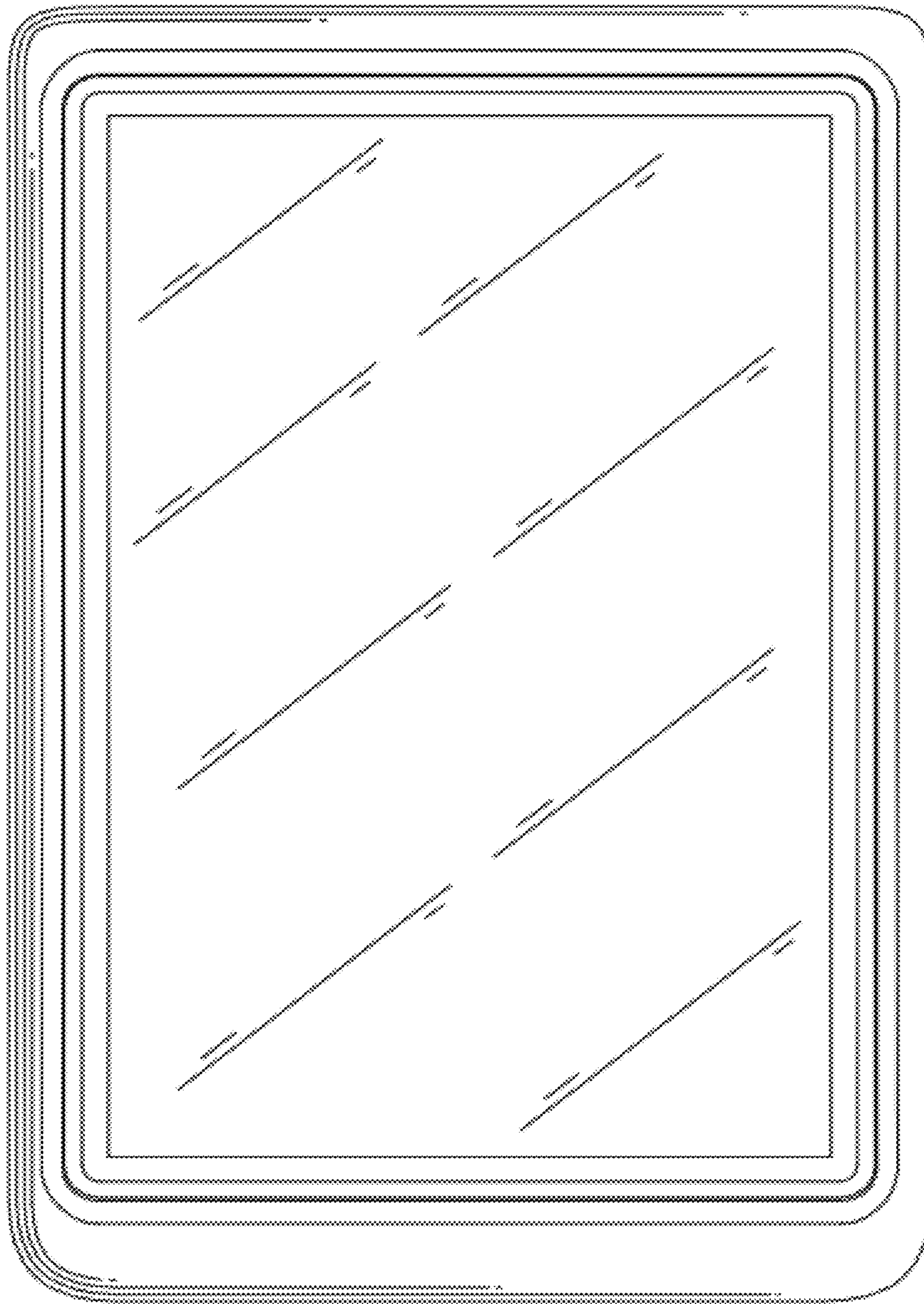


FIG. 2

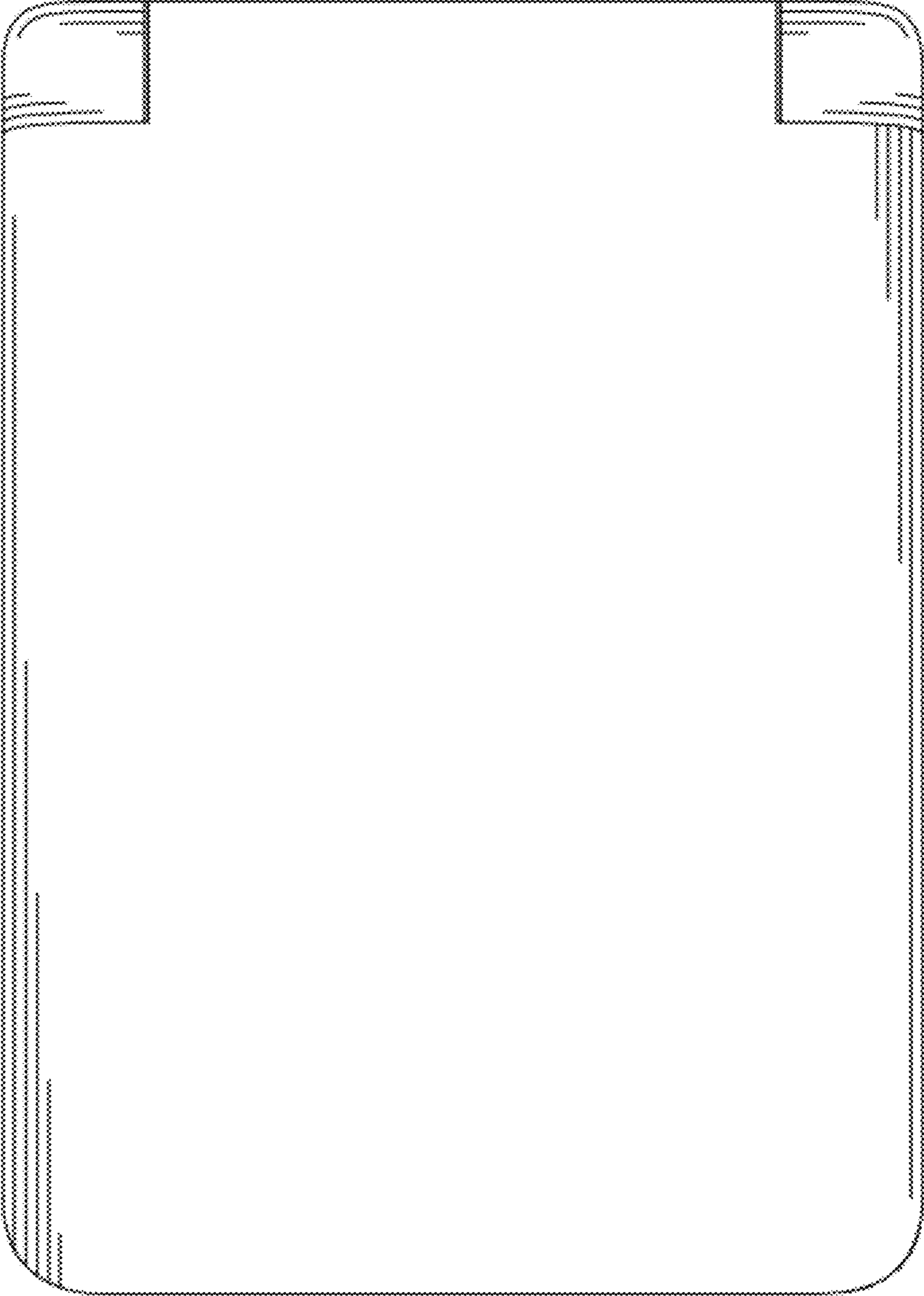


FIG. 3

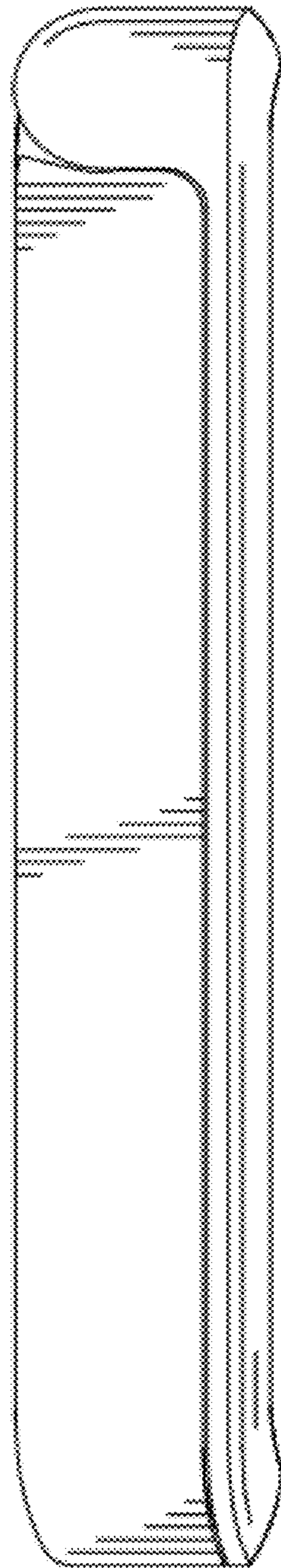


FIG. 4

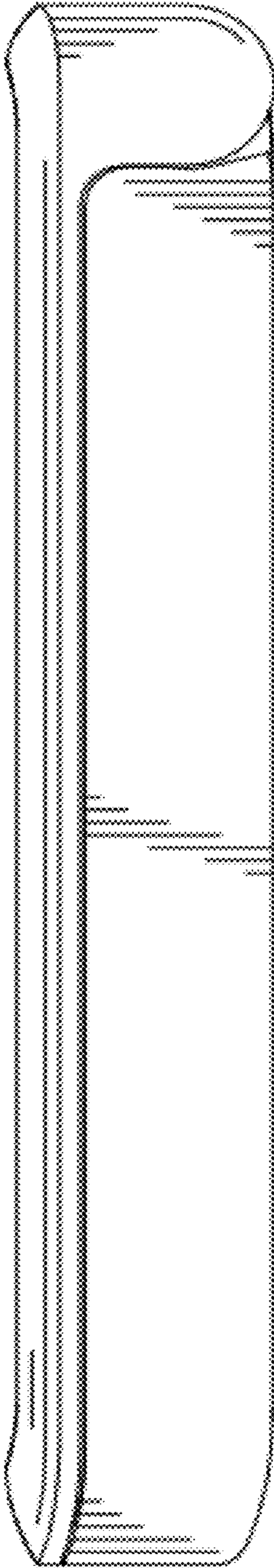


FIG. 5

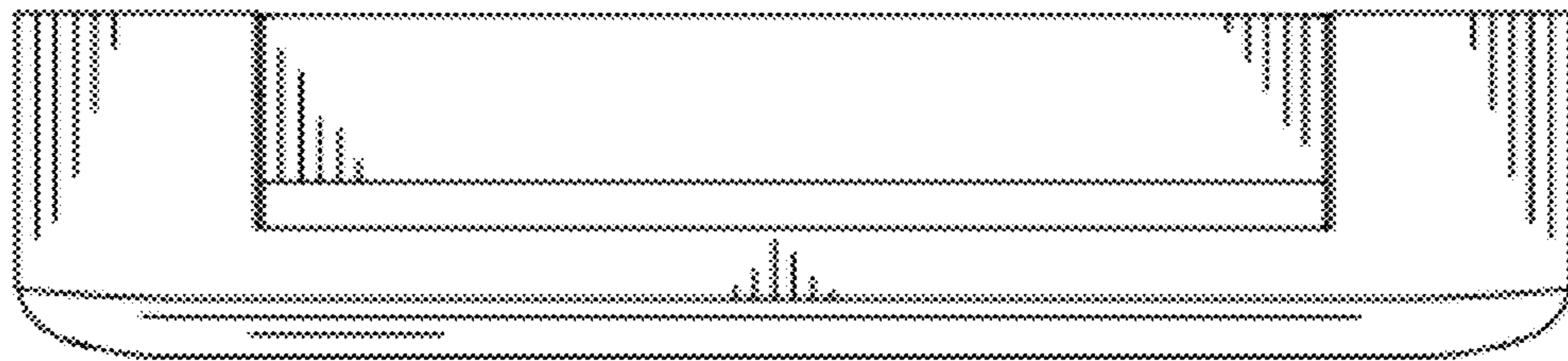


FIG. 6

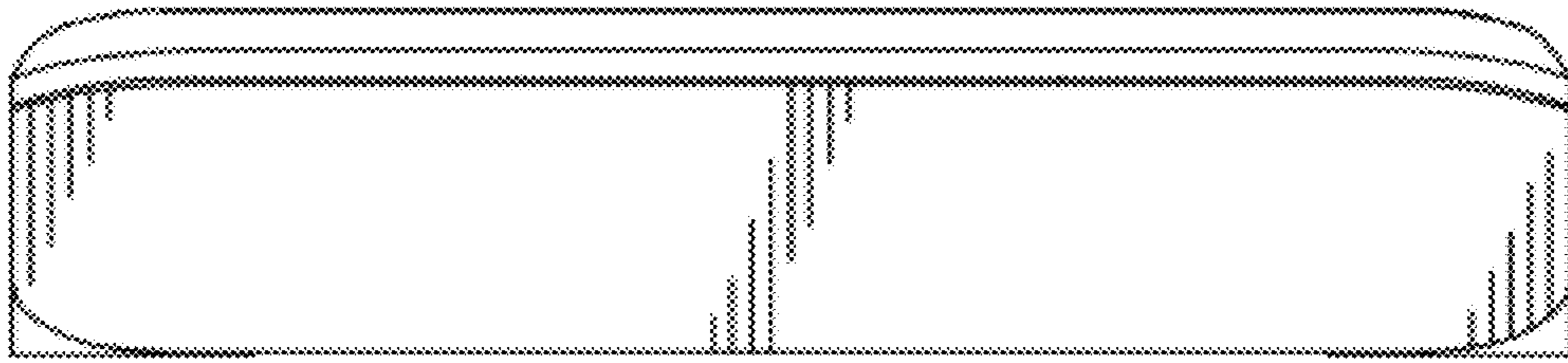


FIG. 7

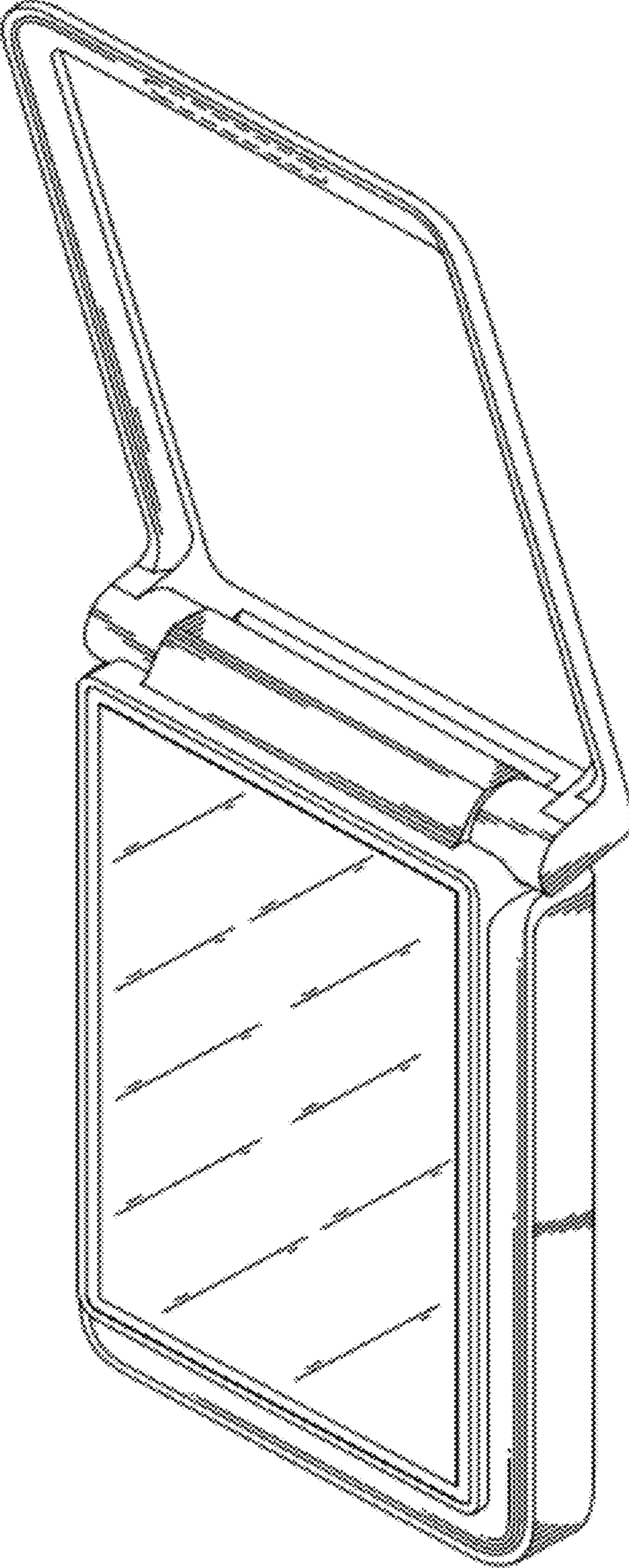


FIG. 8

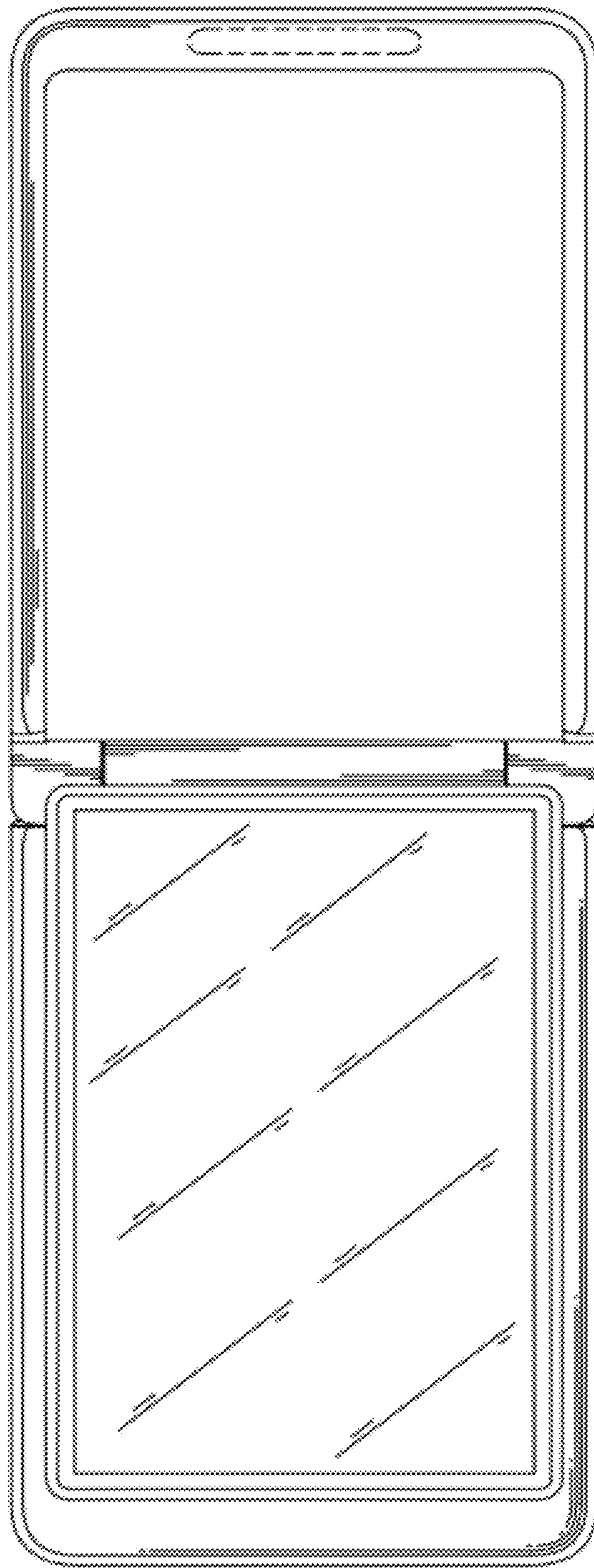


FIG. 9

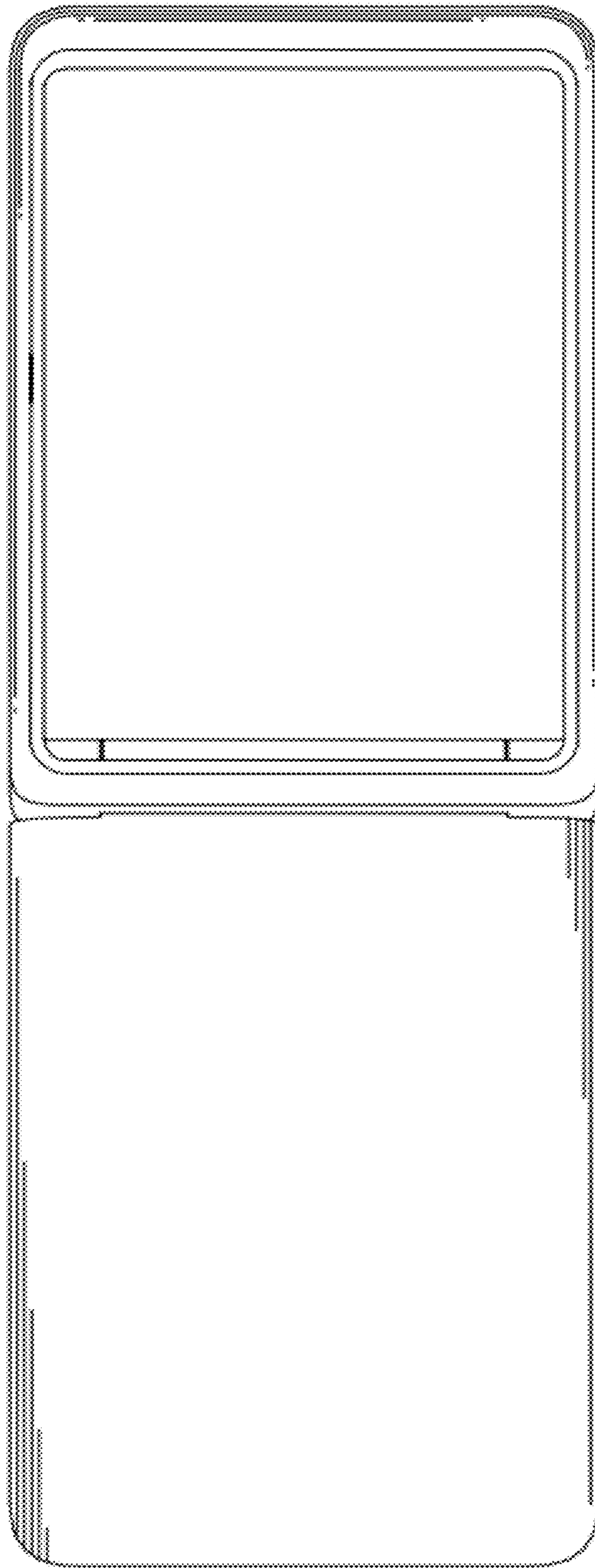


FIG. 10

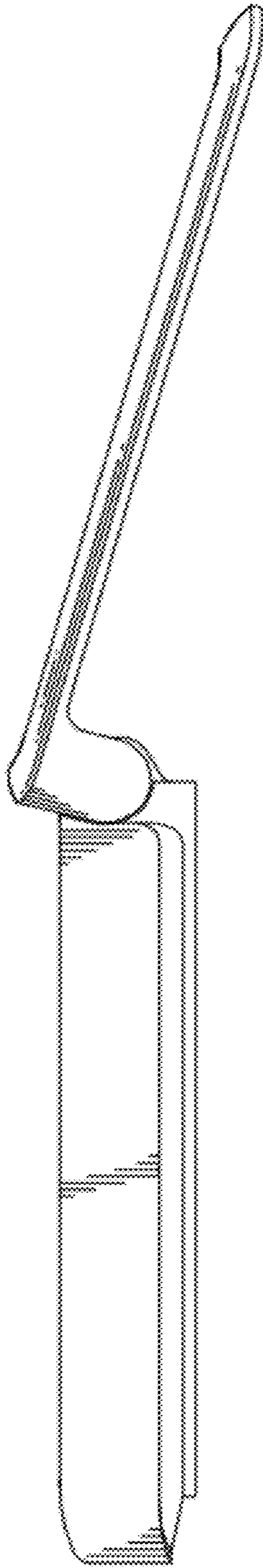


FIG. 11

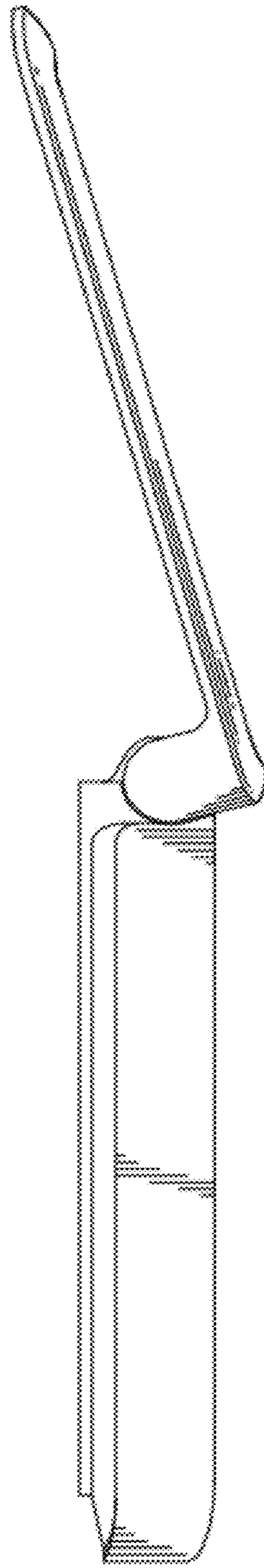


FIG. 12



FIG. 13

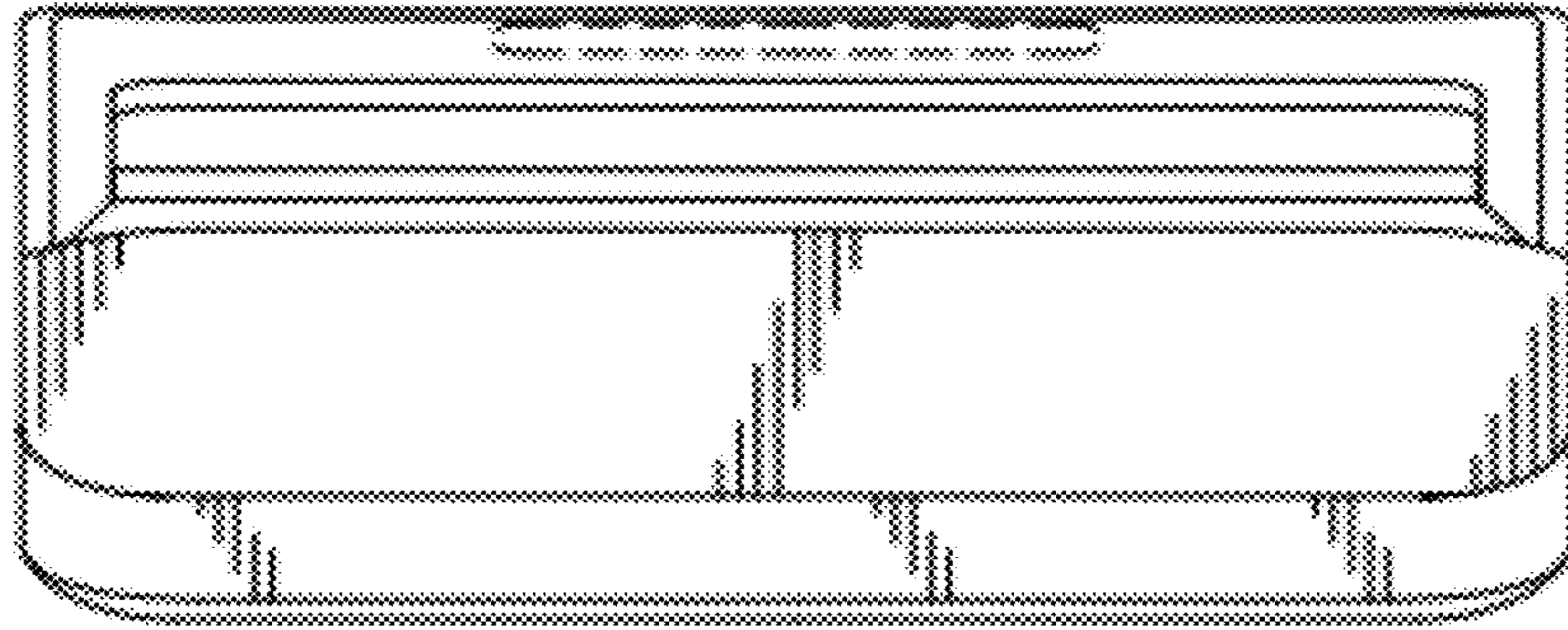


FIG. 14