



US00D654463S

(12) **United States Design Patent**
Han

(10) **Patent No.:** **US D654,463 S**

(45) **Date of Patent:** **** Feb. 21, 2012**

(54) **MOBILE PHONE**

(75) Inventor: **Woo-Seung Han**, Seoul (KR)

(73) Assignee: **Samsung Electronics Co., Ltd.** (KR)

(**) Term: **14 Years**

(21) Appl. No.: **29/390,959**

(22) Filed: **May 2, 2011**

(30) **Foreign Application Priority Data**

Mar. 9, 2011 (KR) 30-2011-0009594

(51) **LOC (9) Cl.** **14-03**

(52) **U.S. Cl.** **D14/138 G**

(58) **Field of Classification Search** D14/138 AD,
D14/138 G, 138 R, 138 AC, 138 C, 496,
D14/341, 345, 346, 203.7, 247, 248, 218,
D14/138 AA, 138 AB; 455/575.1, 556.2,
455/556.1, 575.4, 566; D10/65; D13/168

See application file for complete search history.

(56) **References Cited**

U.S. PATENT DOCUMENTS

- D587,671 S * 3/2009 Park et al. D14/138 AD
- D590,804 S * 4/2009 Tkachuk D14/138 AD
- D602,460 S * 10/2009 Kim et al. D14/138 AD
- D606,037 S * 12/2009 Christopher et al. . D14/138 AD
- D607,428 S * 1/2010 Kim et al. D14/138 AD
- D609,210 S * 2/2010 Sohn et al. D14/138 AD
- D612,357 S * 3/2010 Wang et al. D14/138 AD
- D616,859 S * 6/2010 Ho et al. D14/138 G
- D618,653 S * 6/2010 Kim et al. D14/138 AD
- D619,985 S * 7/2010 Choi et al. D14/138 G
- D620,470 S * 7/2010 Sohn et al. D14/138 AD

- D624,897 S * 10/2010 Choi et al. D14/138 G
- D628,545 S * 12/2010 Cho et al. D14/138 AD
- D630,611 S * 1/2011 Chen D14/138 G
- D631,464 S * 1/2011 Kim D14/138 G
- D633,066 S * 2/2011 Park et al. D14/138 AD
- D633,886 S * 3/2011 Chen D14/138 AD
- D637,171 S * 5/2011 Chen D14/138 G
- D639,766 S * 6/2011 Han et al. D14/138 AD
- D639,767 S * 6/2011 Finney et al. D14/138 G
- D640,662 S * 6/2011 Hwang D14/138 AD
- D642,152 S * 7/2011 Cho D14/138 AD
- D644,195 S * 8/2011 Kim et al. D14/138 G
- D645,012 S * 9/2011 Lee et al. D14/138 G
- 2010/0311478 A1* 12/2010 Knoppert et al. 455/575.4

OTHER PUBLICATIONS

LG T315 telephone, announced Mar. 2011, [online], [site visited Sep. 20, 2011]. Available from Internet, <URL: <http://www.gsmarena.com>>.*

(Continued)

Primary Examiner — Jeffrey D Asch
(74) *Attorney, Agent, or Firm* — NSIP Law

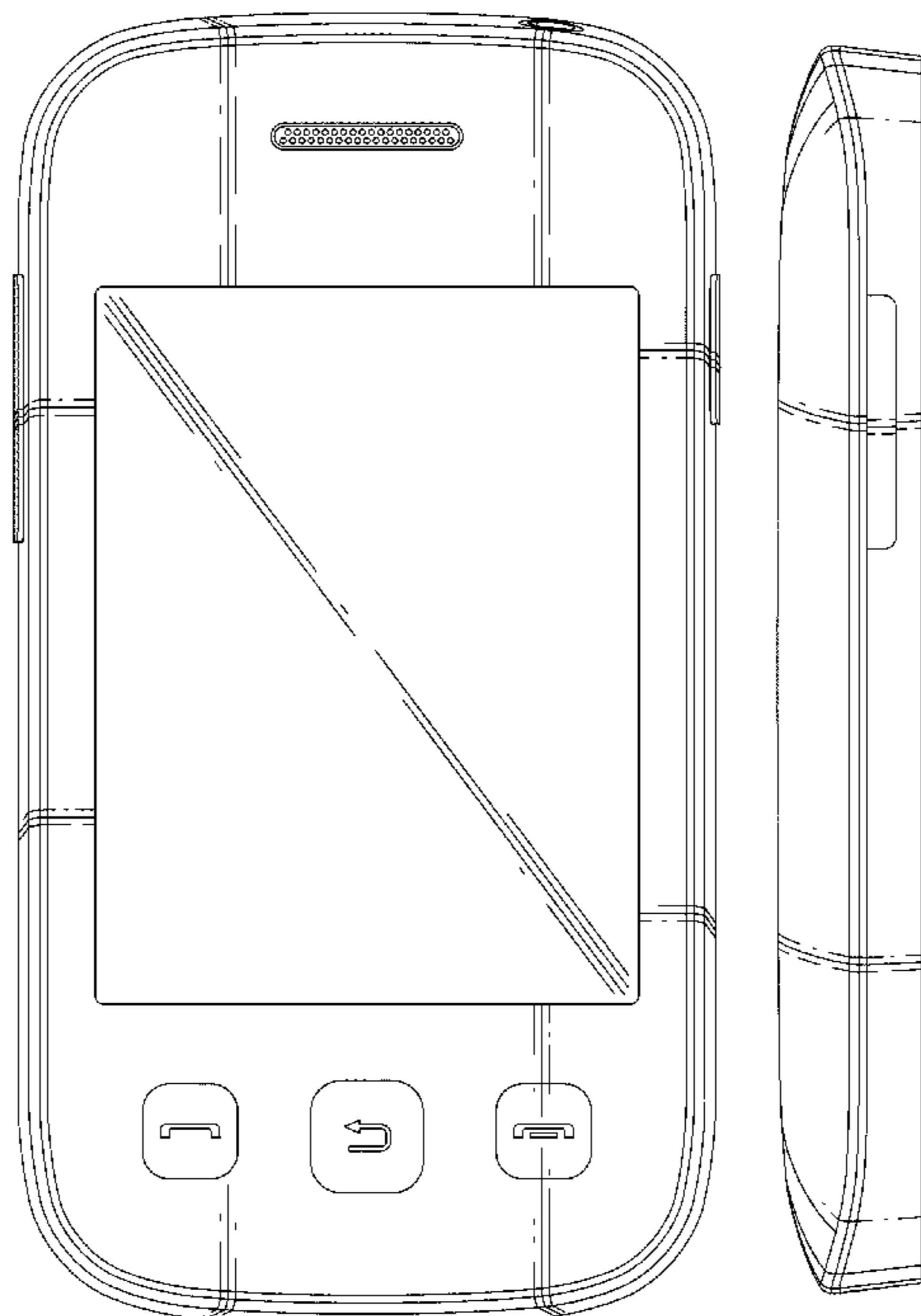
(57) **CLAIM**

The ornamental design for a mobile phone, as shown and described.

DESCRIPTION

FIG. 1 is a perspective view of a mobile phone;
FIG. 2 is a front view of the mobile phone of FIG. 1;
FIG. 3 is a rear view of the mobile phone of FIG. 1;
FIG. 4 is a left-side view of the mobile phone of FIG. 1;
FIG. 5 is a right-side view of the mobile phone of FIG. 1;
FIG. 6 is a top plan view of the mobile phone of FIG. 1; and,
FIG. 7 is a bottom plan view of the mobile phone of FIG. 1.

1 Claim, 5 Drawing Sheets



OTHER PUBLICATIONS

Samsung Continuum I400 telephone, announced Nov. 2010, [online], [site visited Sep. 20, 2011]. Available from Internet, <URL: <http://www.gsmarena.com>>.*

Palm Pre Plus telephone, announced Mar. 2010, [online], [site visited Sep. 20, 2011]. Available from Internet, <URL: <http://www.gsmarena.com>>.*

Verykool i280 telephone, announced 2011, [online], [site visited Sep. 20, 2011]. Available from Internet, <URL: <http://www.gsmarena.com>>.*

Samsung Trender telephone, announced Jun. 2011, [online], [site visited Sep. 20, 2011]. Available from Internet, <URL: <http://www.gsmarena.com>>.*

Samsung M350 Seek telephone, announced Aug. 2011, [online], [site visited Sep. 20, 2011]. Available from Internet, <URL: <http://www.gsmarena.com>>.*

Spice mi-300 telephone, announced Aug. 2010, [online], [site visited Sep. 20, 2011]. Available from Internet, <URL: <http://www.gsmarena.com>>.*

Pantech Pursuit II telephone, announced Jul. 2011, [online], [site visited Sep. 20, 2011]. Available from Internet, <URL: <http://www.gsmarena.com>>.*

* cited by examiner

FIG. 1

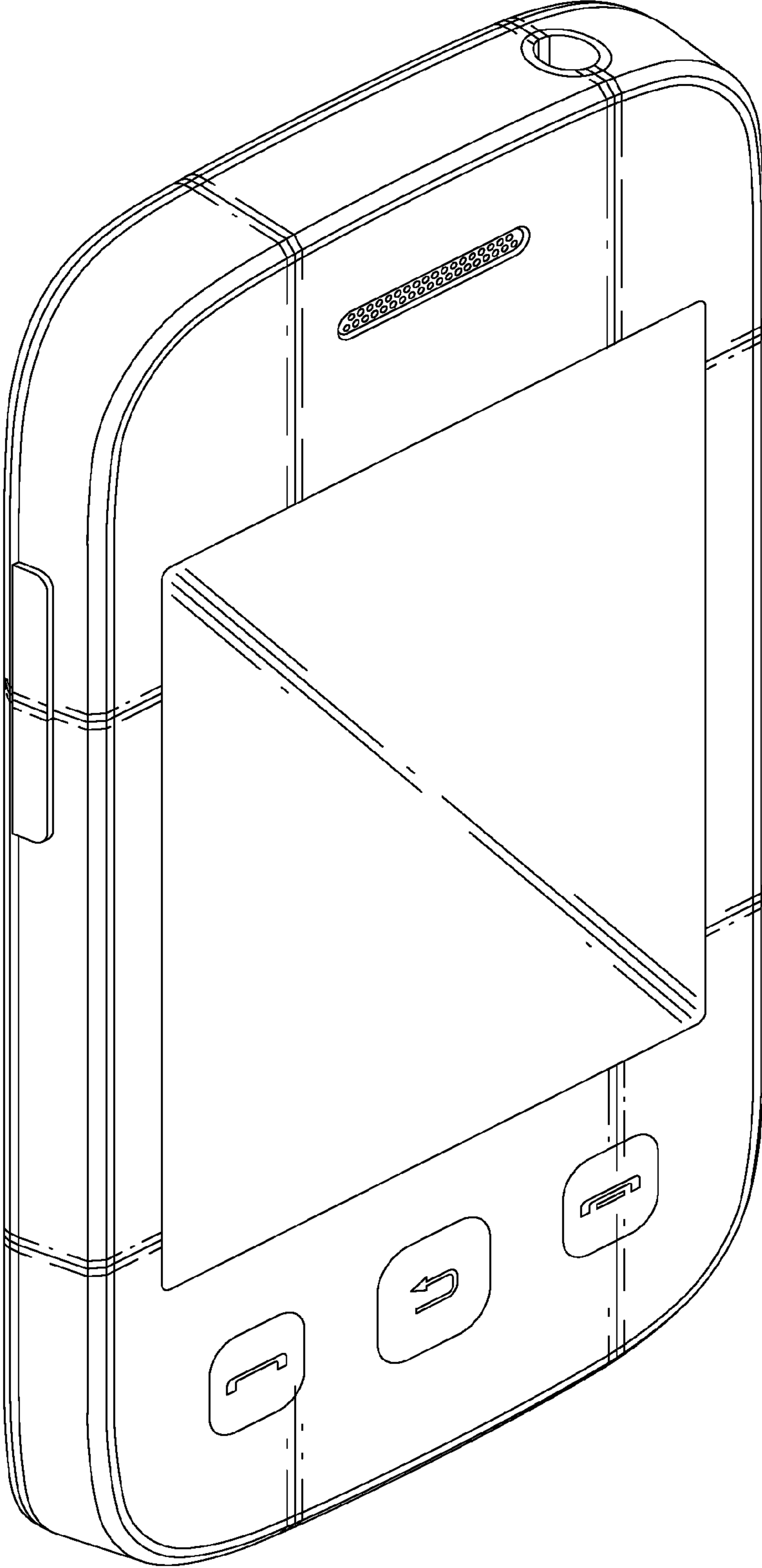


FIG. 2

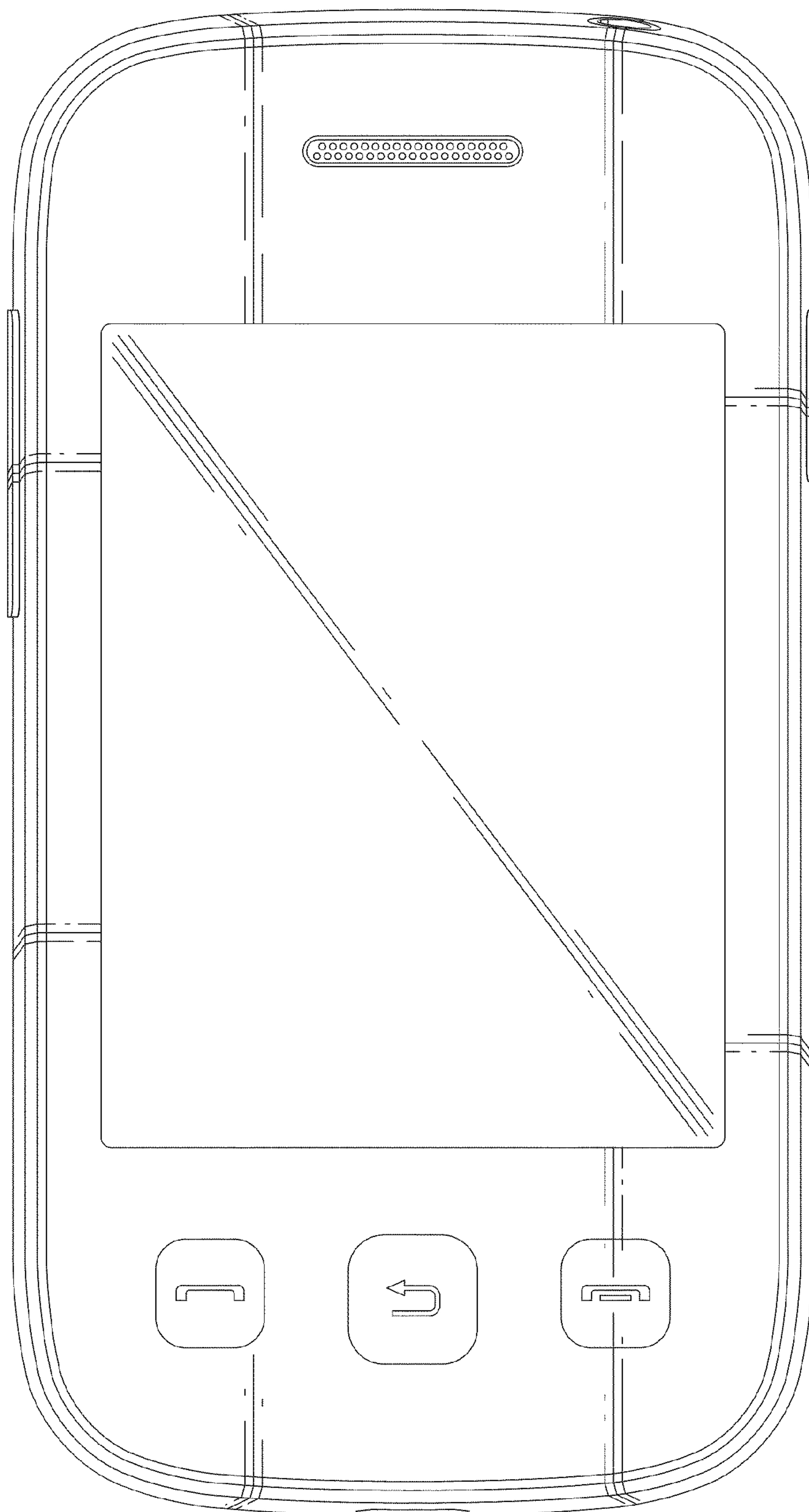


FIG. 3

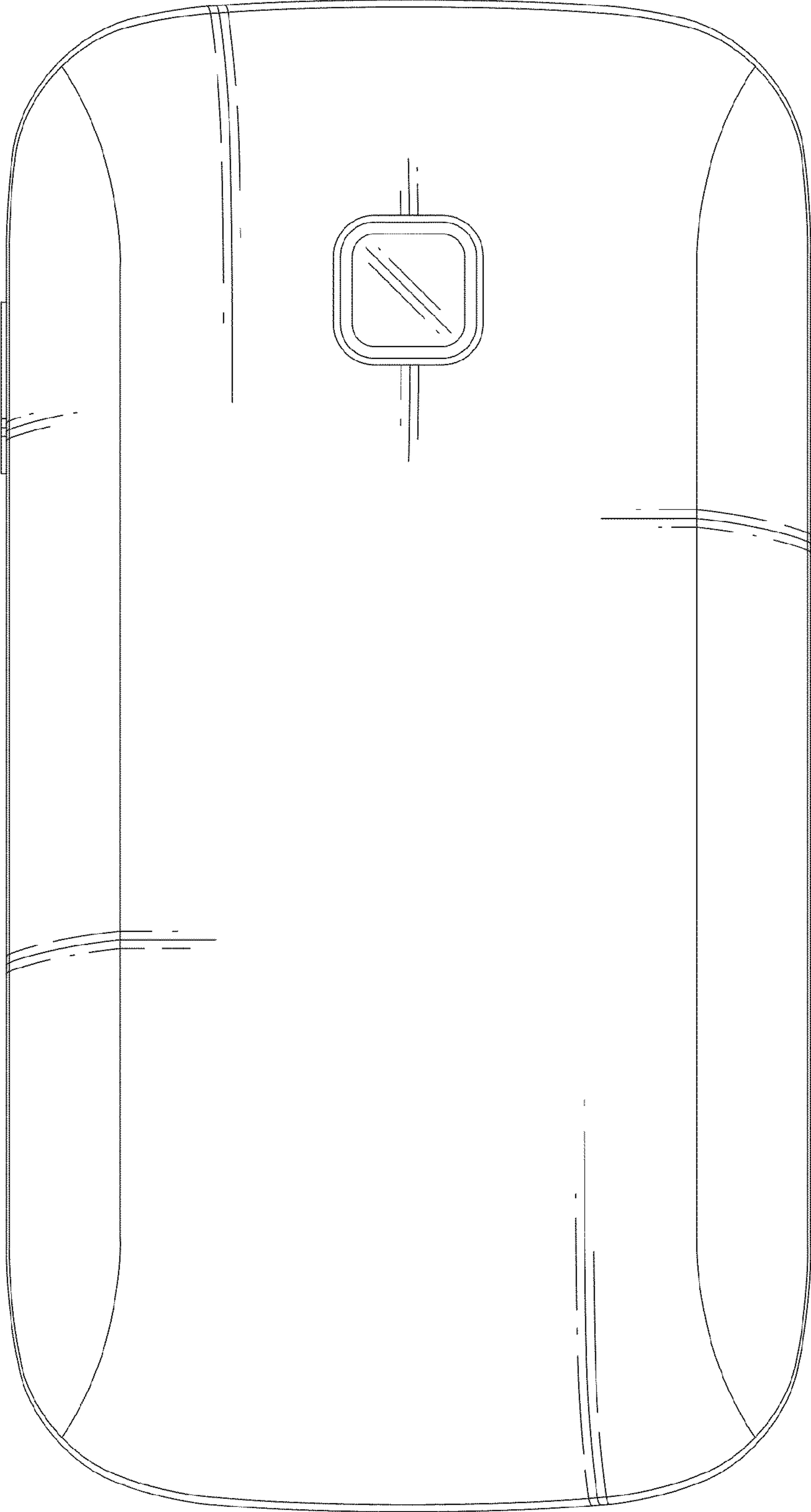


FIG. 4

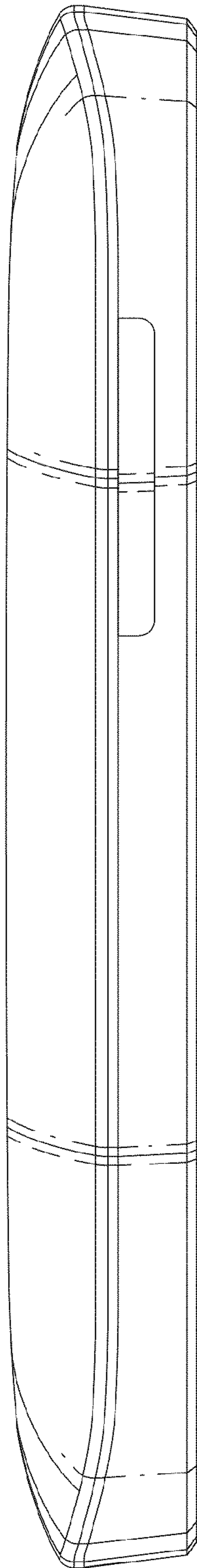


FIG. 5

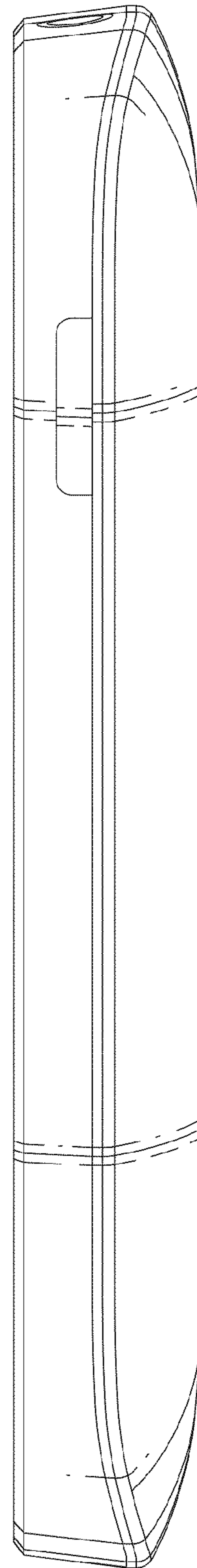


FIG. 6

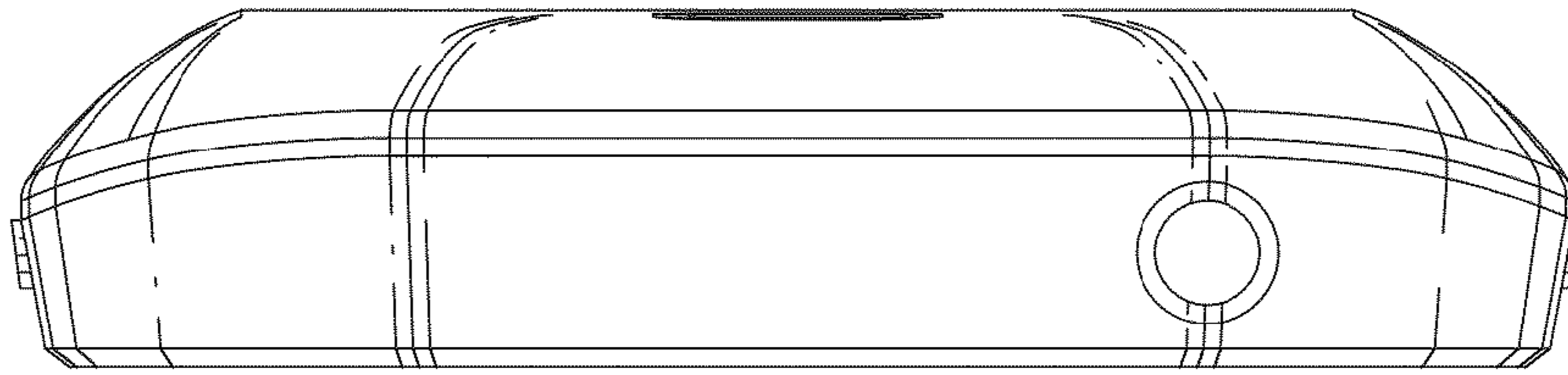


FIG. 7

