



US00D654459S

(12) **United States Design Patent**
Kim

(10) **Patent No.:** **US D654,459 S**
(45) **Date of Patent:** **** Feb. 21, 2012**

(54) **MOBILE PHONE**

(75) Inventor: **Nam-Su Kim**, Seoul (KR)

(73) Assignee: **Samsung Electronics Co., Ltd.** (KR)

(**) Term: **14 Years**

(21) Appl. No.: **29/387,537**

(22) Filed: **Mar. 15, 2011**

(30) **Foreign Application Priority Data**

Dec. 24, 2010 (KR) 30-2010-0055766

(51) **LOC (9) Cl.** **14-03**

(52) **U.S. Cl.** **D14/138 AD; D14/138 G**

(58) **Field of Classification Search** D14/138 R,
D14/138 AD, 138 AC, 138 C, 138 G, 191,
D14/203.1-203.8, 496, 138 AA, 138 AB,
D14/137, 147, 218, 341-347, 247-248; D10/65,
D10/78, 104; D13/168; D18/7; 455/566,
455/575.1, 575.3, 575.4

See application file for complete search history.

(56) **References Cited**

U.S. PATENT DOCUMENTS

D498,754 S * 11/2004 Blyth D14/341
D557,238 S * 12/2007 Kim D14/138 AD
D565,533 S * 4/2008 Kim et al. D14/138 AD

(Continued)

OTHER PUBLICATIONS

Huawei Vision, announced Aug. 2011, [online], [retrieved on Aug. 29, 2011]. Retrieved from Internet ,<URL: <http://www.gsmarena.com>>.*

(Continued)

Primary Examiner — Bridget L Eland

(74) *Attorney, Agent, or Firm* — NSIP Law

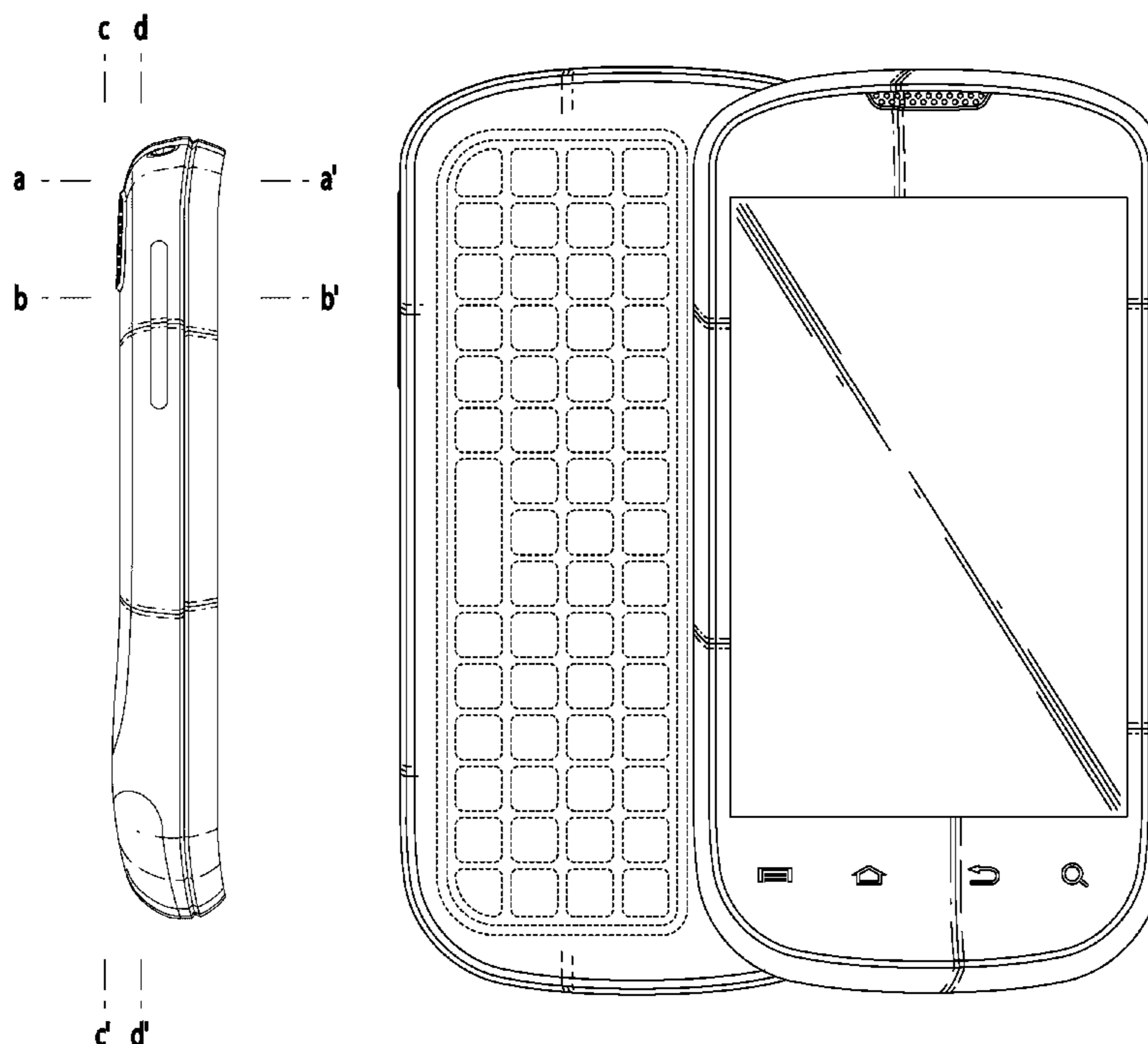
(57) **CLAIM**

The ornamental design for a mobile phone, as shown and described.

DESCRIPTION

FIG. 1 is a perspective view of a mobile phone;
FIG. 2 is a front view of the mobile phone of FIG. 1;
FIG. 3 is a rear view of the mobile phone of FIG. 1;
FIG. 4 is a left-side view of the mobile phone of FIG. 1;
FIG. 5 is a right-side view of the mobile phone of FIG. 1;
FIG. 6 is a top plan view of the mobile phone of FIG. 1;
FIG. 7 is a bottom plan view of the mobile phone of FIG. 1;
FIG. 8 is an open-front view of the mobile phone of FIG. 1;
FIG. 9 is a partial enlarged view of FIG. 4 that is included to more clearly depict the design feature on the back of the mobile phone, as viewed from the left-side view (a-a', b-b', c-c' d-d') of FIG. 4;
FIG. 10 is a partial enlarged view of FIG. 5 that is included to more clearly depict the design feature on the back of the mobile phone, as viewed from the right-side view (e-e', f-f', g-g', h-h') of FIG. 5; and,
FIG. 11 is a partial enlarged view of FIG. 6 that is included to more clearly depict the design feature on the back of the mobile phone, as viewed from the top plan view (1-1', 2-2', 3-3', 4-4') of FIG. 6.
The broken line immediately adjacent the shaded area represents an unclaimed boundary while all other broken lines are directed to environment and are for illustrative purposes only; the broken lines form no part of the claimed design.

1 Claim, 9 Drawing Sheets



US D654,459 S

Page 2

U.S. PATENT DOCUMENTS

D601,539 S * 10/2009 Hong D14/138 G
D607,428 S * 1/2010 Kim et al. D14/138 AD
D609,210 S * 2/2010 Sohn et al. D14/138 AD
D611,025 S * 3/2010 Yu D14/138 G
D615,055 S * 5/2010 Lee et al. D14/138 G
D615,942 S * 5/2010 Kim et al. D14/138 AD
D615,971 S * 5/2010 Chien et al. D14/341
D619,983 S * 7/2010 Fujimura et al. D14/138 G
D619,989 S * 7/2010 Huang D14/138 G
D622,691 S * 8/2010 Kim et al. D14/138 G
D624,039 S * 9/2010 Cha et al. D14/138 AD
D627,758 S * 11/2010 Sheba et al. D14/203.7
D633,886 S * 3/2011 Chen D14/138 AD
D635,949 S * 4/2011 Kim D14/138 AD
D642,151 S * 7/2011 Chun et al. D14/138 G
D644,196 S * 8/2011 Lee et al. D14/138 AD
D644,197 S * 8/2011 Lee et al. D14/138 G
D645,010 S * 9/2011 Lee et al. D14/138 G
D645,835 S * 9/2011 Lee et al. D14/138 G
2006/0205451 A1 * 9/2006 Pan 455/575.4
2007/0218963 A1 * 9/2007 Kim 455/575.4
2011/0059774 A1 * 3/2011 Clift et al. 455/566
2011/0105186 A1 * 5/2011 Griffin et al. 455/566

OTHER PUBLICATIONS

Motorola Cliq 2, announced Jan. 2011, [online], [retrieved on Jan. 6, 2011]. Retrieved from Internet ,<URL: <http://www.gsmarena.com>>.*
Samsung Epic 4G, announced Jun. 2010, [online], [retrieved on Feb. 1, 2011]. Retrieved from Internet ,<URL: <http://www.gsmarena.com>>.*
Samsung Google Nexus S, announced Dec. 2010, [online], [retrieved on Jan. 6, 2011]. Retrieved from Internet ,<URL: <http://www.gsmarena.com>>.*
Samsung Dart, announced May 2011, [online], [retrieved on Aug. 19, 2011]. Retrieved from Internet ,<URL: <http://www.gsmarena.com>>.*
Samsung Focus, announced Oct. 2010, [online], [retrieved on Oct. 13, 2010]. Retrieved from Internet ,<URL: <http://www.gsmarena.com>>.*
Philips Xenium X830, announced Jul. 2009, [online], [retrieved on Aug. 6, 2009]. Retrieved from Internet ,<URL: <http://www.gsmarena.com>>.*
Alcatel OT-708 One Touch Mini, announced Jun. 2009, [online], [retrieved on Jun. 23, 2009 & Sep. 4, 2009]. Retrieved from Internet ,<URL: <http://www.gsmarena.com>>.*

* cited by examiner

FIG. 1

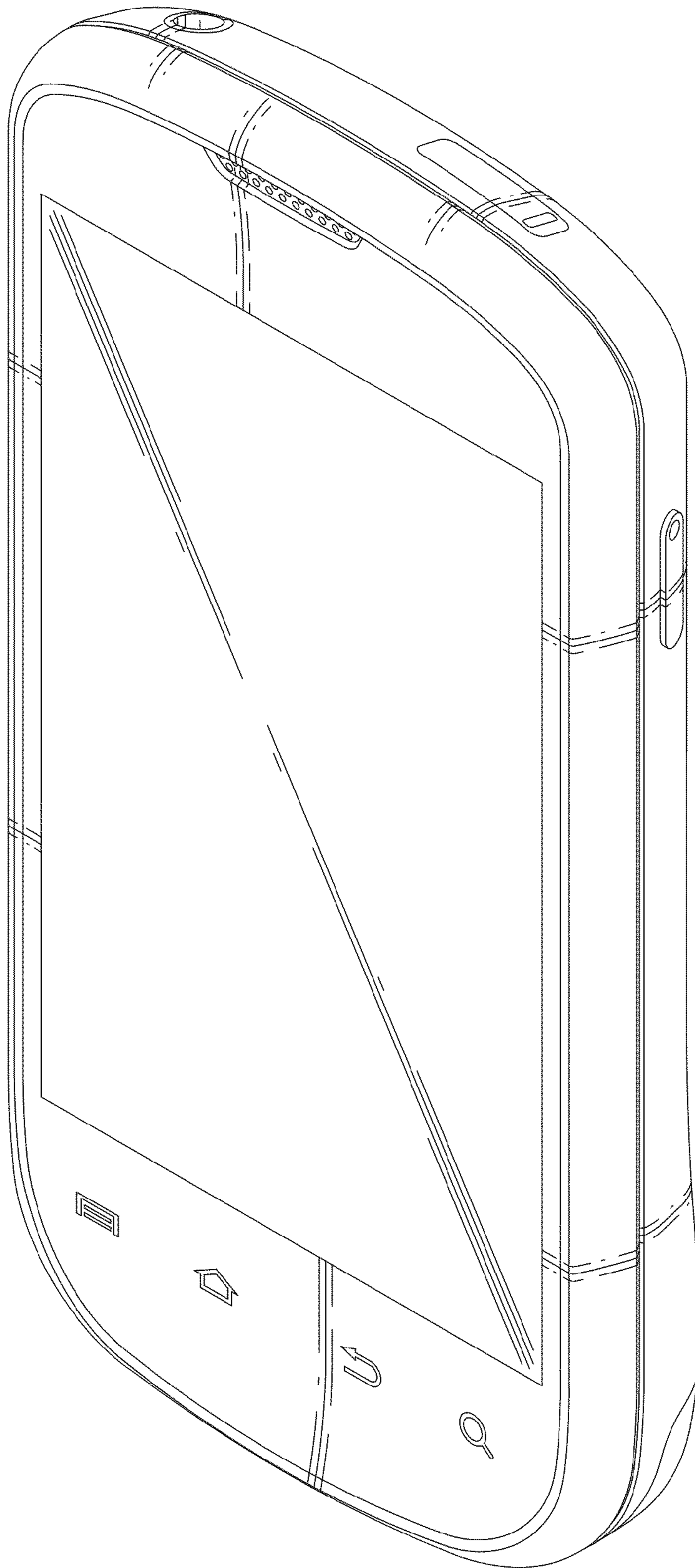


FIG. 2

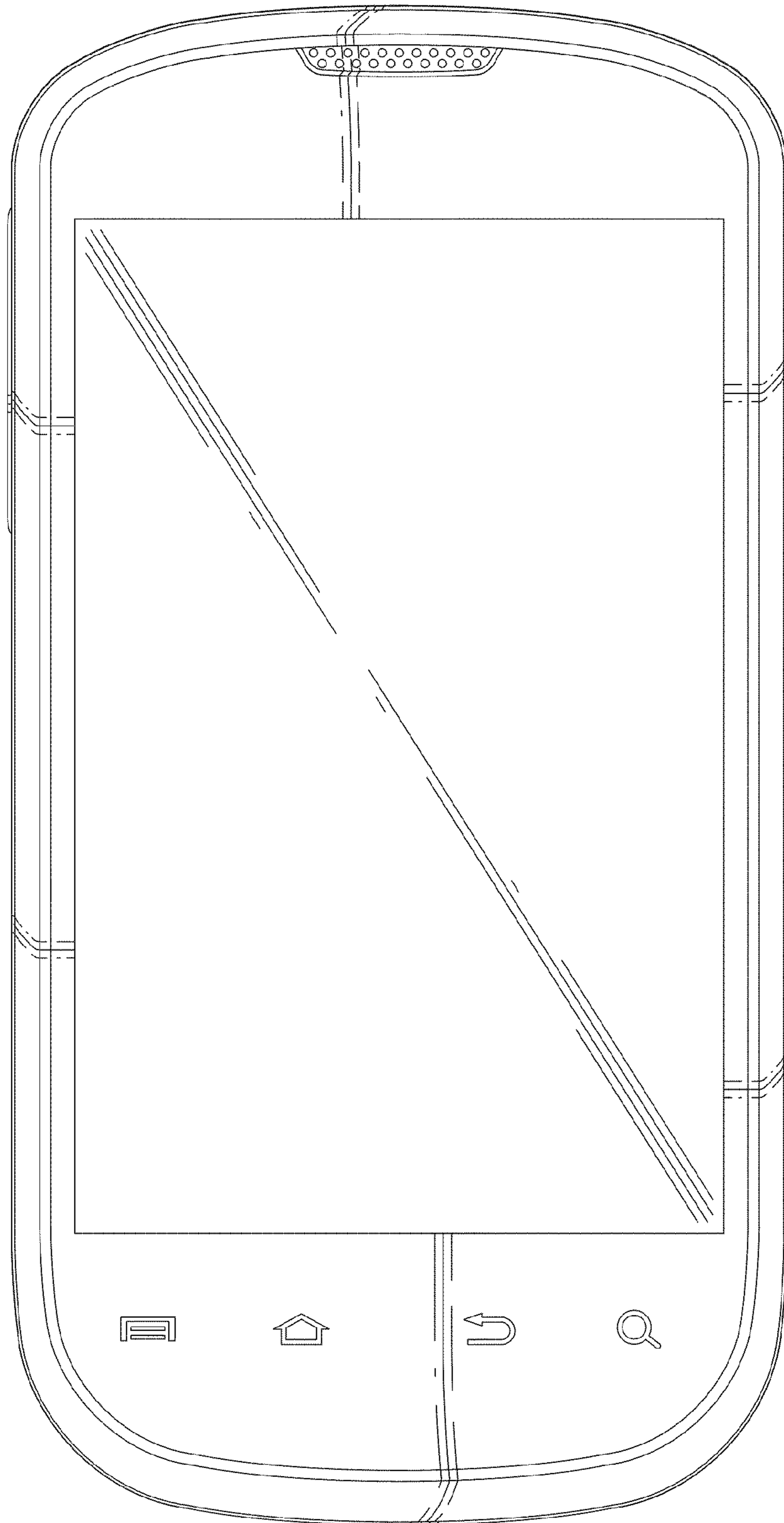


FIG. 3

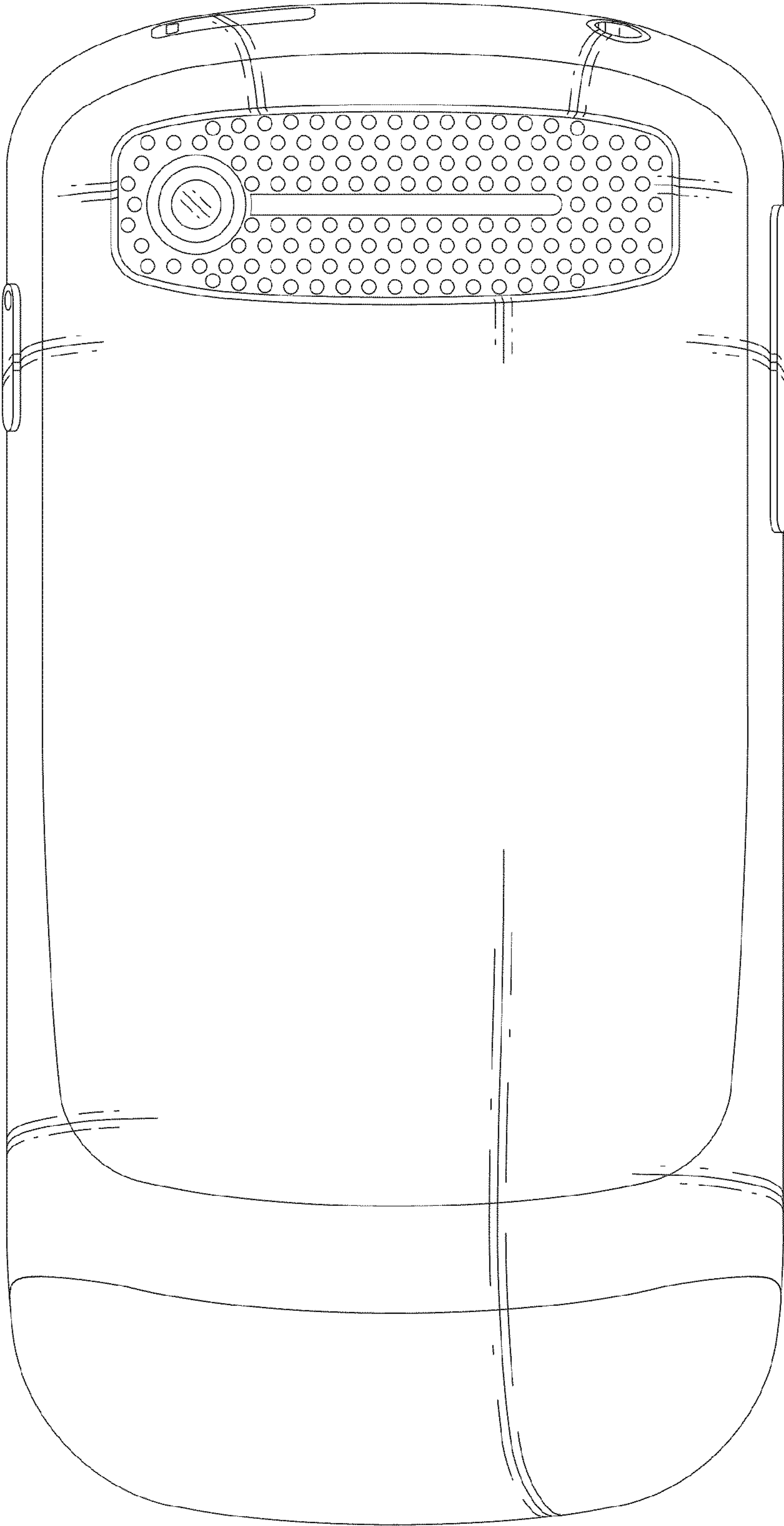


FIG. 4

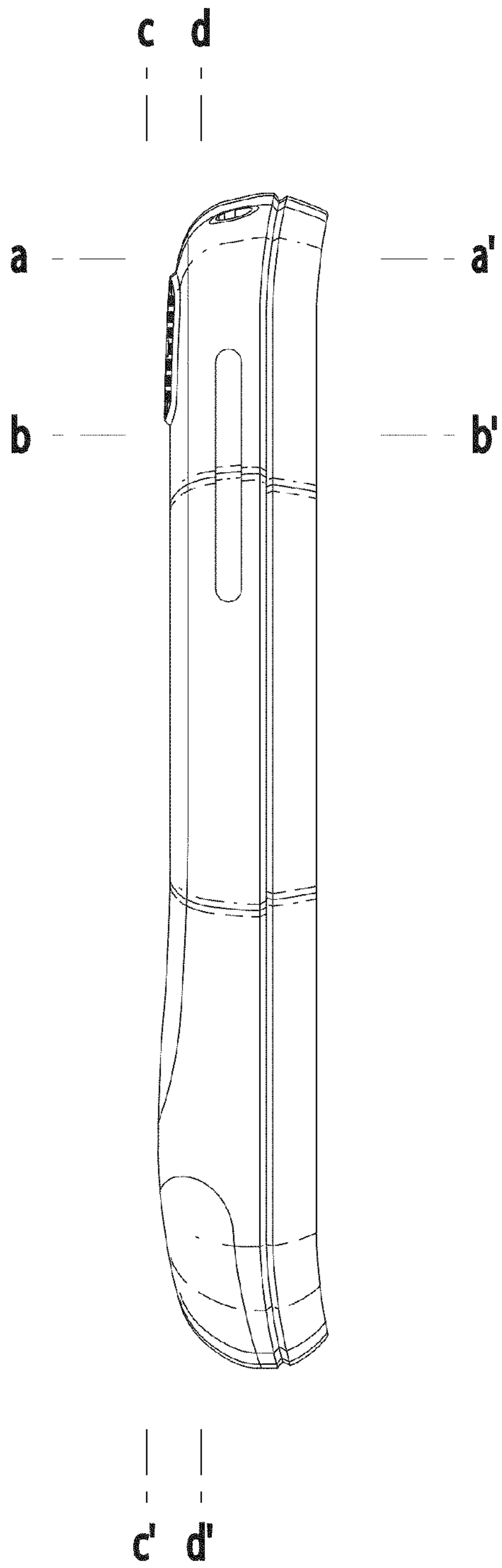


FIG. 5

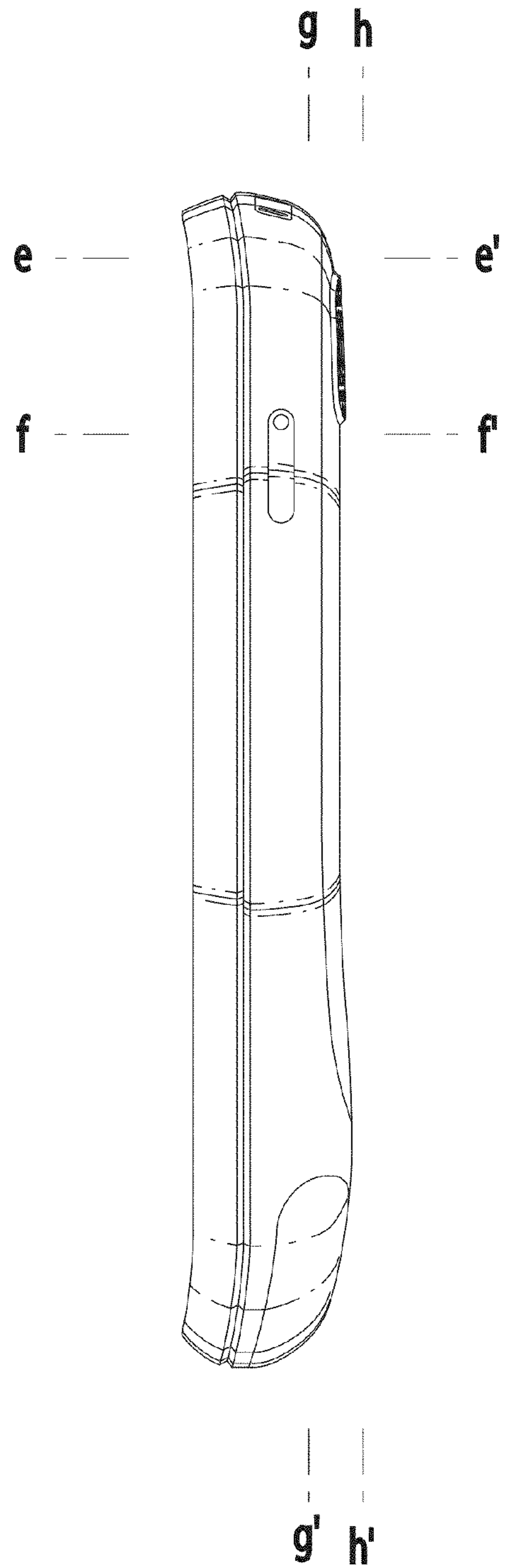


FIG. 6

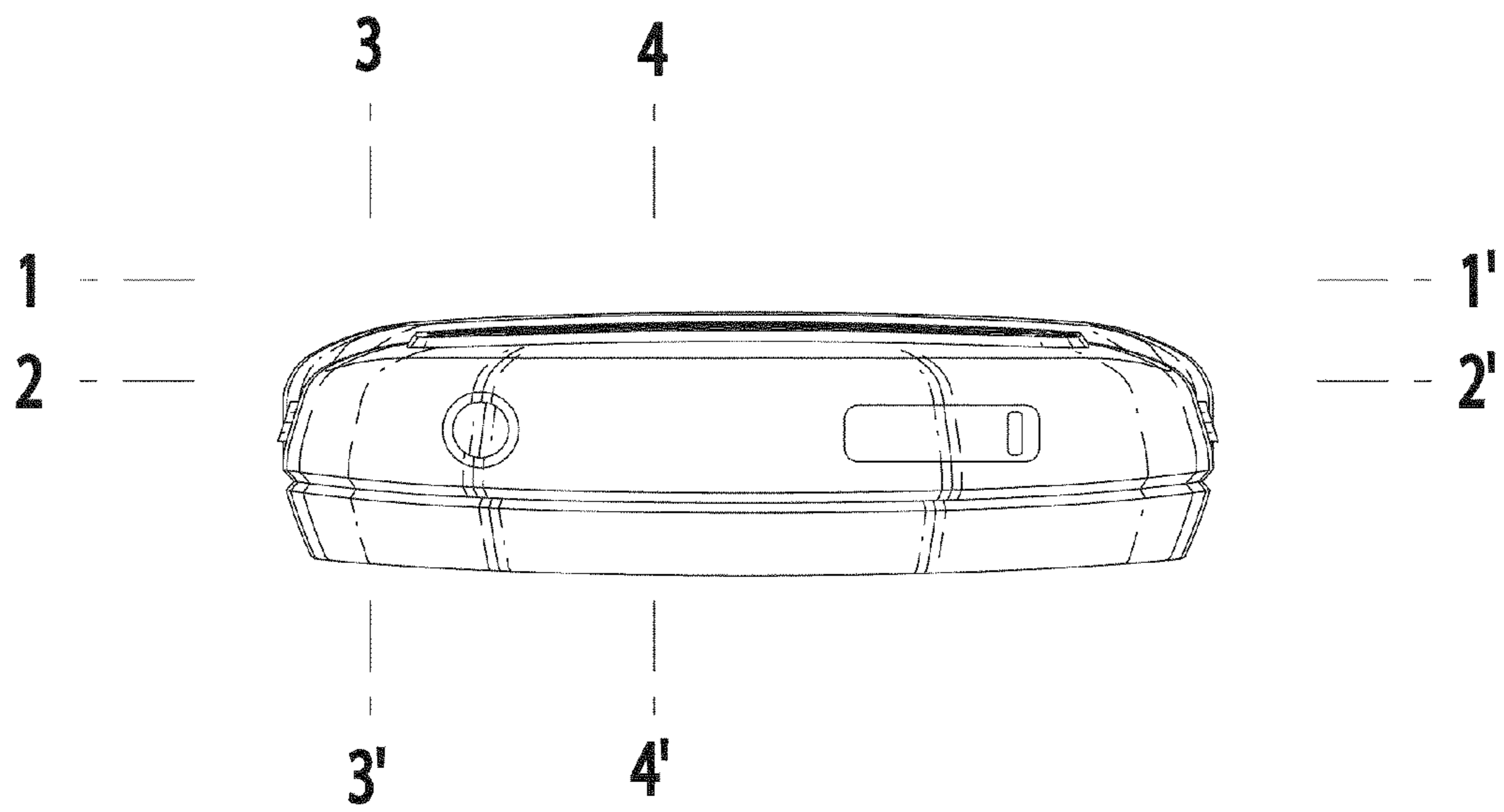


FIG. 7

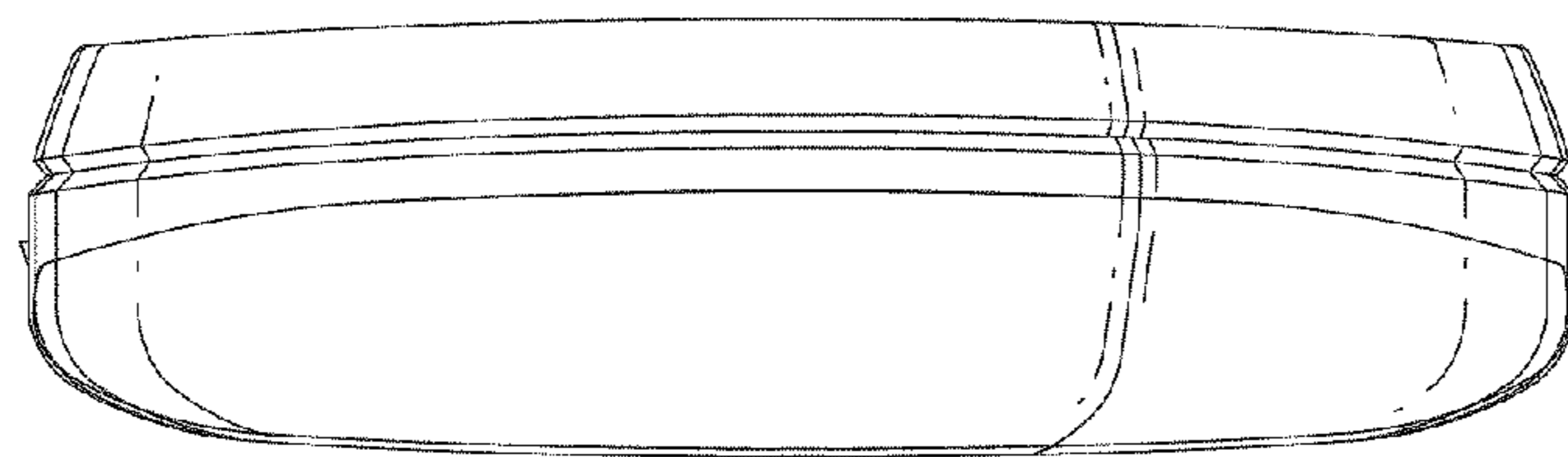


FIG. 8

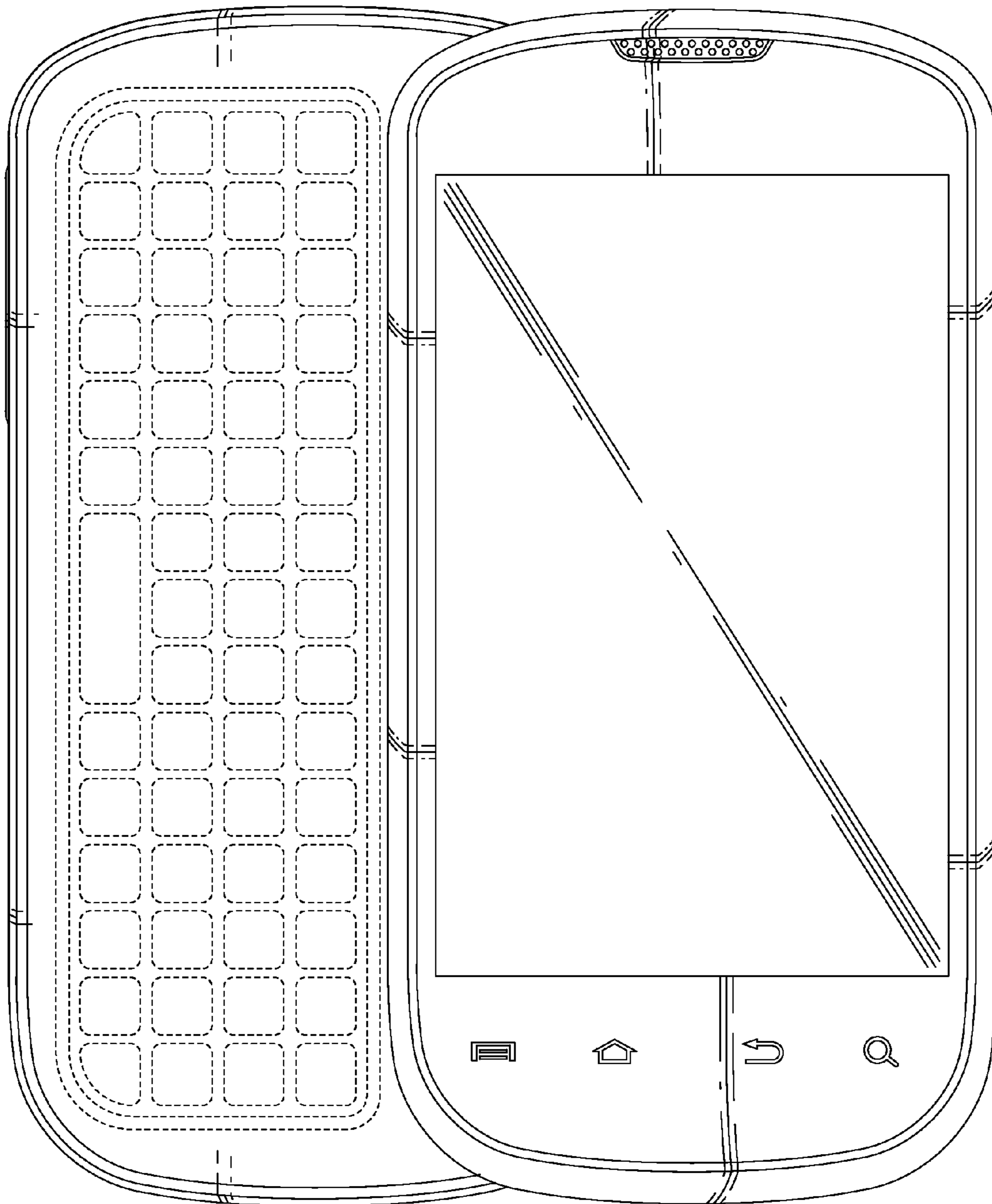


FIG. 9

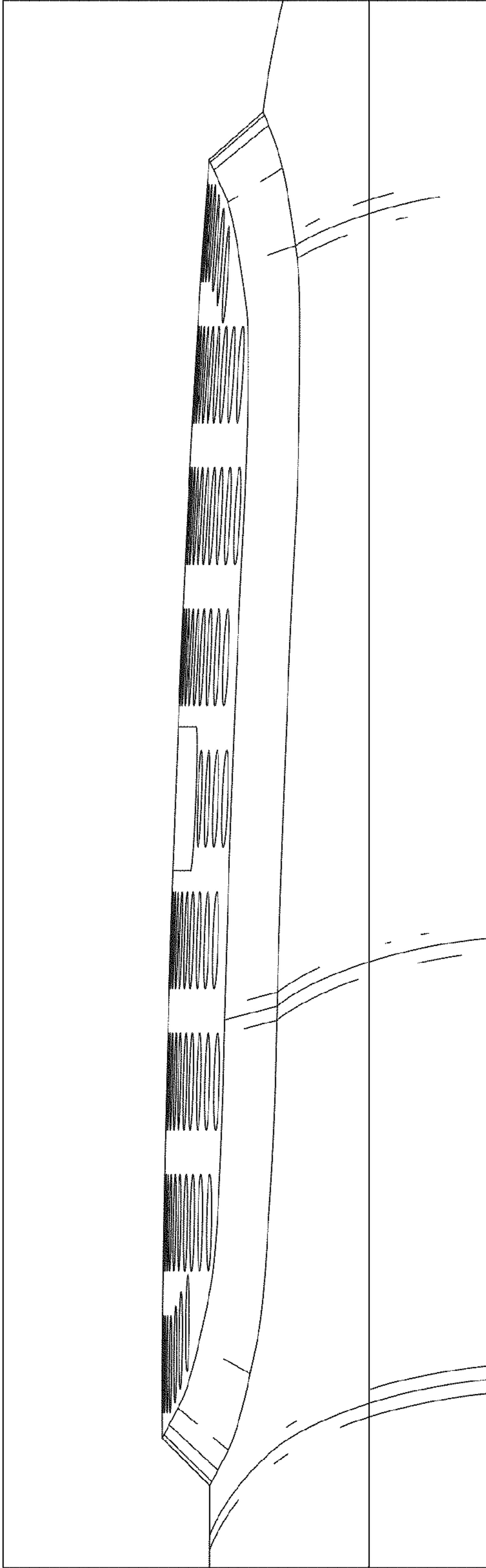


FIG. 10

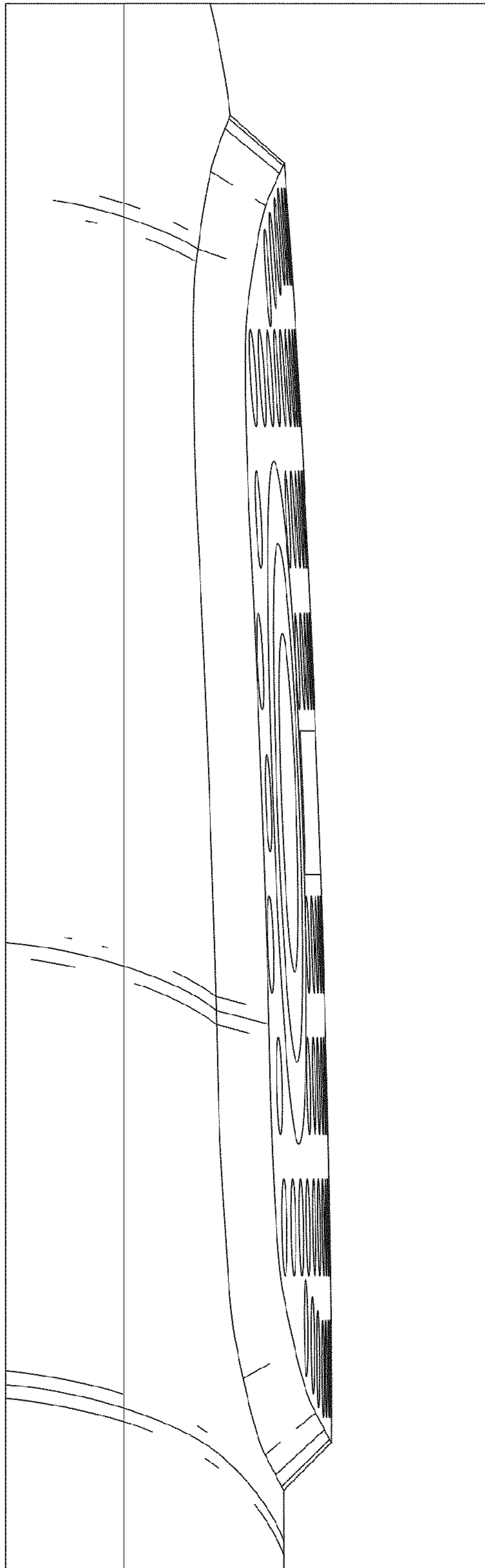


FIG. 11

