



US00D654458S

(12) **United States Design Patent**
Lee

(10) **Patent No.:** **US D654,458 S**
(45) **Date of Patent:** **** Feb. 21, 2012**

(54) **MOBILE PHONE**

(75) Inventor: **Gi-Young Lee, Seoul (KR)**

(73) Assignee: **Samsung Electronics Co., Ltd. (KR)**

(**) Term: **14 Years**

(21) Appl. No.: **29/387,232**

(22) Filed: **Mar. 10, 2011**

(30) **Foreign Application Priority Data**

Dec. 10, 2010 (KR) 30-2010-0053630

(51) **LOC (9) Cl.** **14-03**

(52) **U.S. Cl.** **D14/138 AD**

(58) **Field of Classification Search** D14/138 R,
D14/138 AD, 138 AC, 138 C, 138 G, 191,
D14/203.1–203.8, 496, 138 AA, 138 AB,
D14/137, 147, 218, 341–347, 247–248; D10/65,
D10/78, 104; D13/168; D18/7; 455/566,
455/575.1, 575.3, 575.4

See application file for complete search history.

(56) **References Cited**

U.S. PATENT DOCUMENTS

D525,609 S *	7/2006	Kim et al.	D14/138 AB
D528,094 S *	9/2006	Hwang	D14/138 AD
D533,565 S *	12/2006	Kim	D14/203.7
D534,516 S *	1/2007	Lheem	D14/138 AD
D548,715 S *	8/2007	Lee et al.	D14/138 AD
D549,205 S *	8/2007	Cho	D14/138 AD
D550,191 S *	9/2007	Cho et al.	D14/138 AD
D569,365 S *	5/2008	Shin et al.	D14/138 AC
D570,816 S *	6/2008	Lee et al.	D14/138 AD
D572,229 S *	7/2008	Kim et al.	D14/138 AD
D572,699 S *	7/2008	Ahn et al.	D14/138 G
D576,141 S *	9/2008	Moon et al.	D14/138 G
D578,099 S *	10/2008	Park et al.	D14/138 AD
D579,439 S *	10/2008	Chung et al.	D14/138 AD
D579,897 S *	11/2008	Kim et al.	D14/138 AD

D581,387 S *	11/2008	Harju et al.	D14/138 AD
D583,789 S *	12/2008	Chambers	D14/138 AD
D589,483 S *	3/2009	Tkachuk	D14/138 AD
D594,838 S *	6/2009	Choi et al.	D14/138 AD

(Continued)

OTHER PUBLICATIONS

Asus J501, announced Feb. 2007, [online], [retrieved on Sep. 15, 2007]. Retrieved from Internet ,<URL: <http://www.gsmarena.com>>.*

Huawei U7310, announced 2nd quarter 2008, [online], [retrieved on Feb. 20, 2009 & Aug. 4, 2010]. Retrieved from Internet ,<URL: <http://www.gsmarena.com>>.*

Asus J502, announced 2007, [online], [retrieved on Sep. 15, 2007]. Retrieved from Internet ,<URL: <http://www.gsmarena.com>>.*

(Continued)

Primary Examiner — Bridget L Eland

(74) *Attorney, Agent, or Firm* — NSIP Law

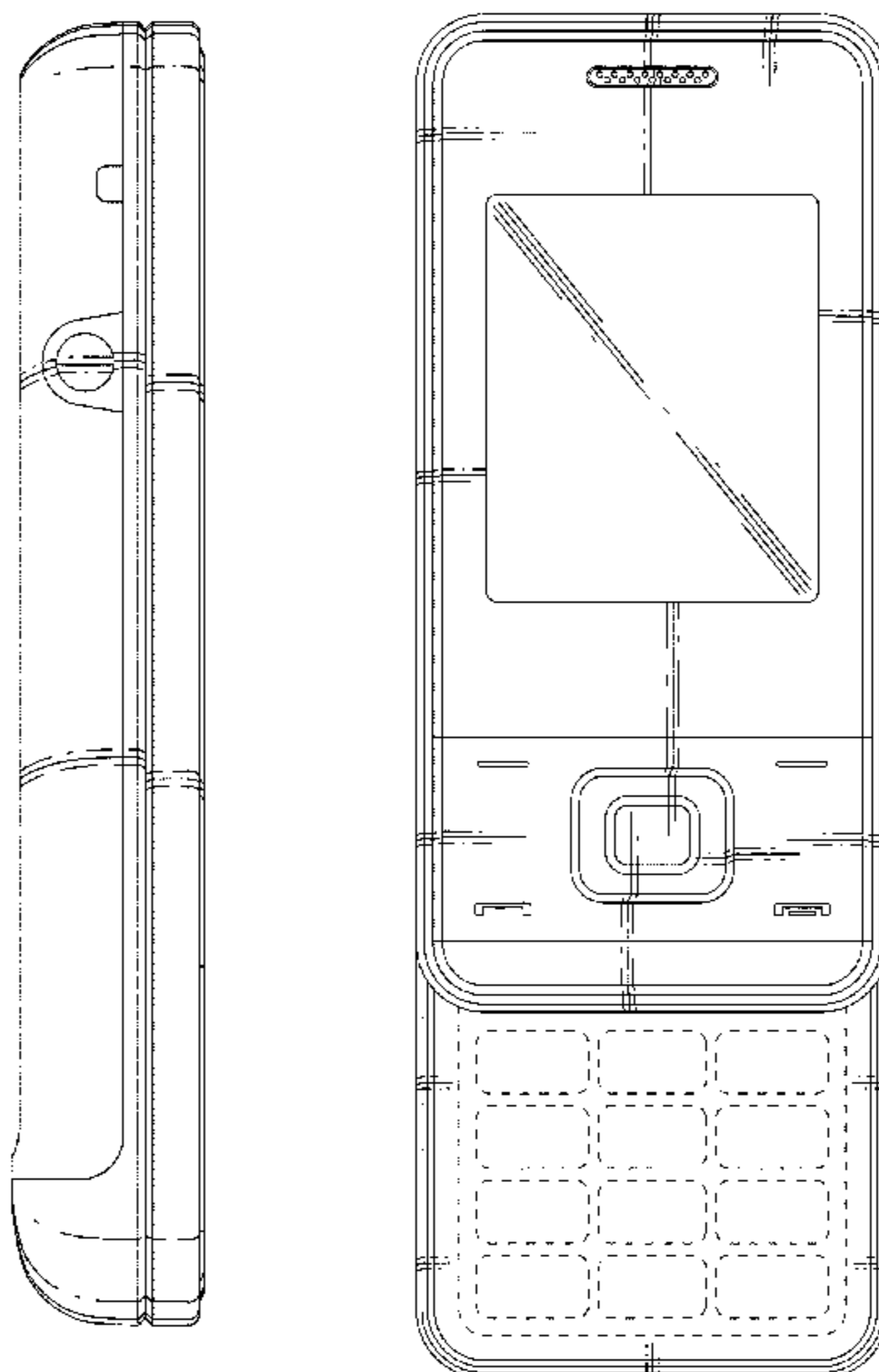
(57) **CLAIM**

The ornamental design for a mobile phone, as shown and described.

DESCRIPTION

FIG. 1 is a perspective view of a mobile phone;
FIG. 2 is a front view of the mobile phone of FIG. 1;
FIG. 3 is a rear view of the mobile phone of FIG. 1;
FIG. 4 is a left-side view of the mobile phone of FIG. 1;
FIG. 5 is a right-side view of the mobile phone of FIG. 1;
FIG. 6 is a top plan view of the mobile phone of FIG. 1;
FIG. 7 is a bottom plan view of the mobile phone of FIG. 1;
and,
FIG. 8 is an open front view of the mobile phone of FIG. 1.
The broken line immediately adjacent the shaded area represents an unclaimed boundary while all other broken lines are directed to environment and are for illustrative purposes only; the broken lines form no part of the claimed design.

1 Claim, 6 Drawing Sheets



US D654,458 S

Page 2

U.S. PATENT DOCUMENTS

D597,517 S * 8/2009 Kim D14/138 AD
D623,624 S * 9/2010 Joung et al. D14/138 AD
D624,519 S * 9/2010 Shen et al. D14/138 AD
2005/0255897 A1* 11/2005 Lee et al. 455/575.4
2006/0205450 A1* 9/2006 Amano et al. 455/575.4
2008/0070648 A1* 3/2008 Kang et al. 455/575.3
2008/0119248 A1* 5/2008 Nissen et al. 455/575.4

OTHER PUBLICATIONS

Gigabyte g-Smart i (128), announced 2005, [online], [retrieved on Feb. 20, 2007]. Retrieved from Internet ,<URL: <http://www.gsmarena.com>>.*
Amoi E76, announced 2007, [online], [retrieved on Feb. 17, 2011]. Retrieved from Internet ,<URL: <http://www.gsmarena.com>>.*

* cited by examiner

FIG. 1

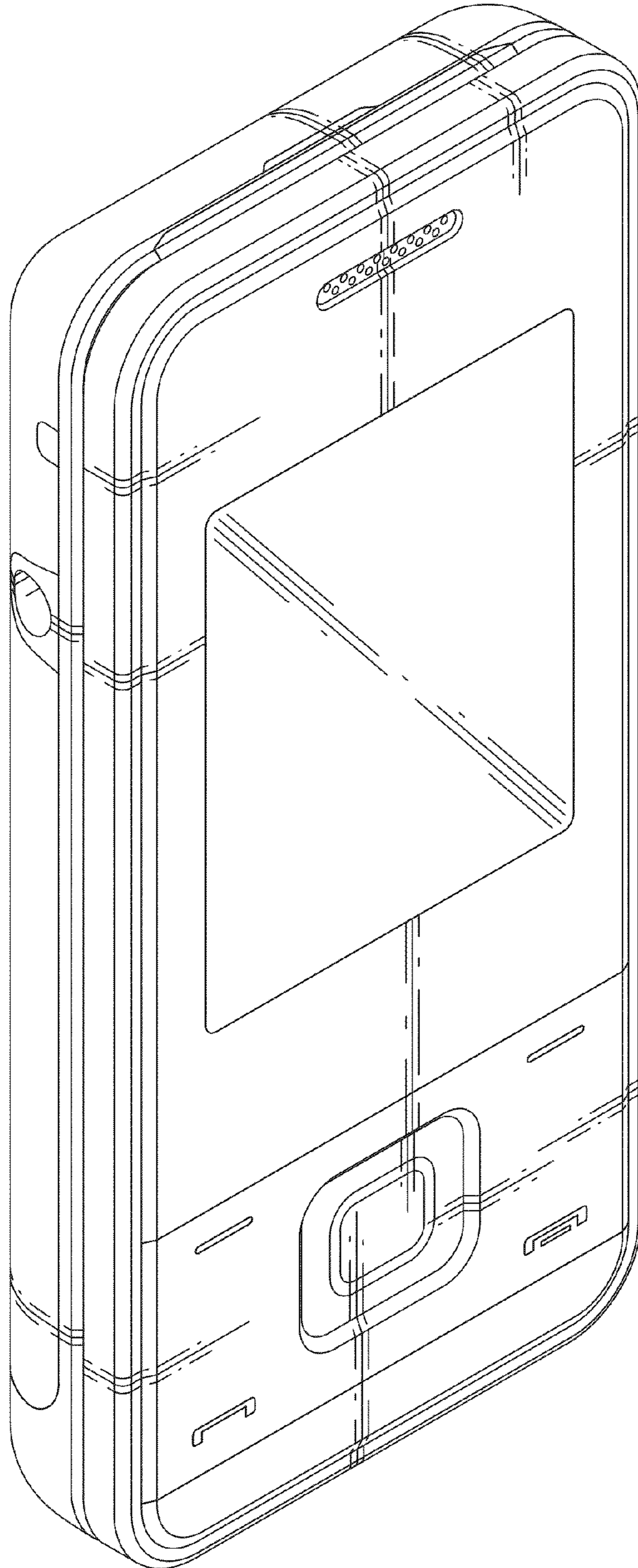


FIG. 2

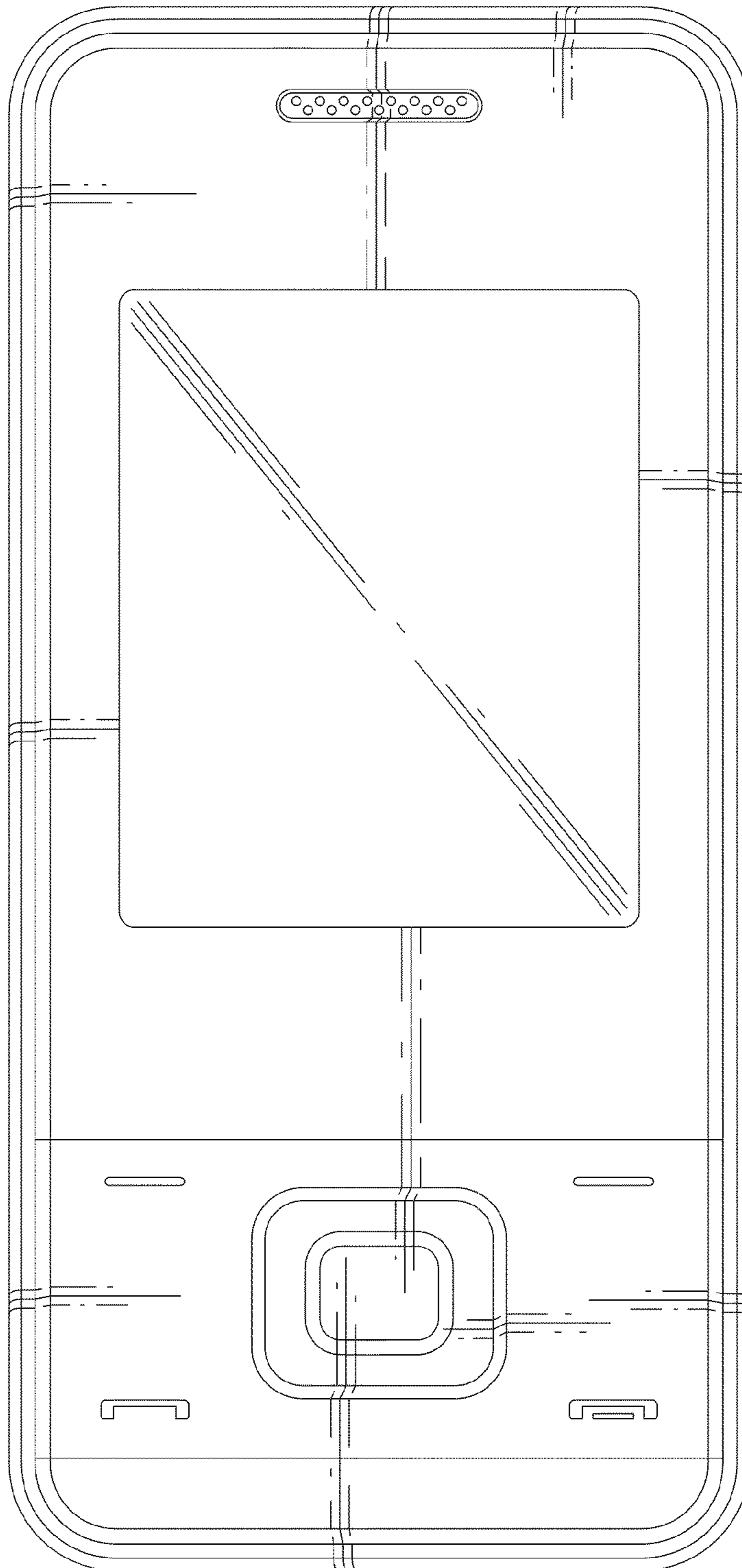


FIG. 3

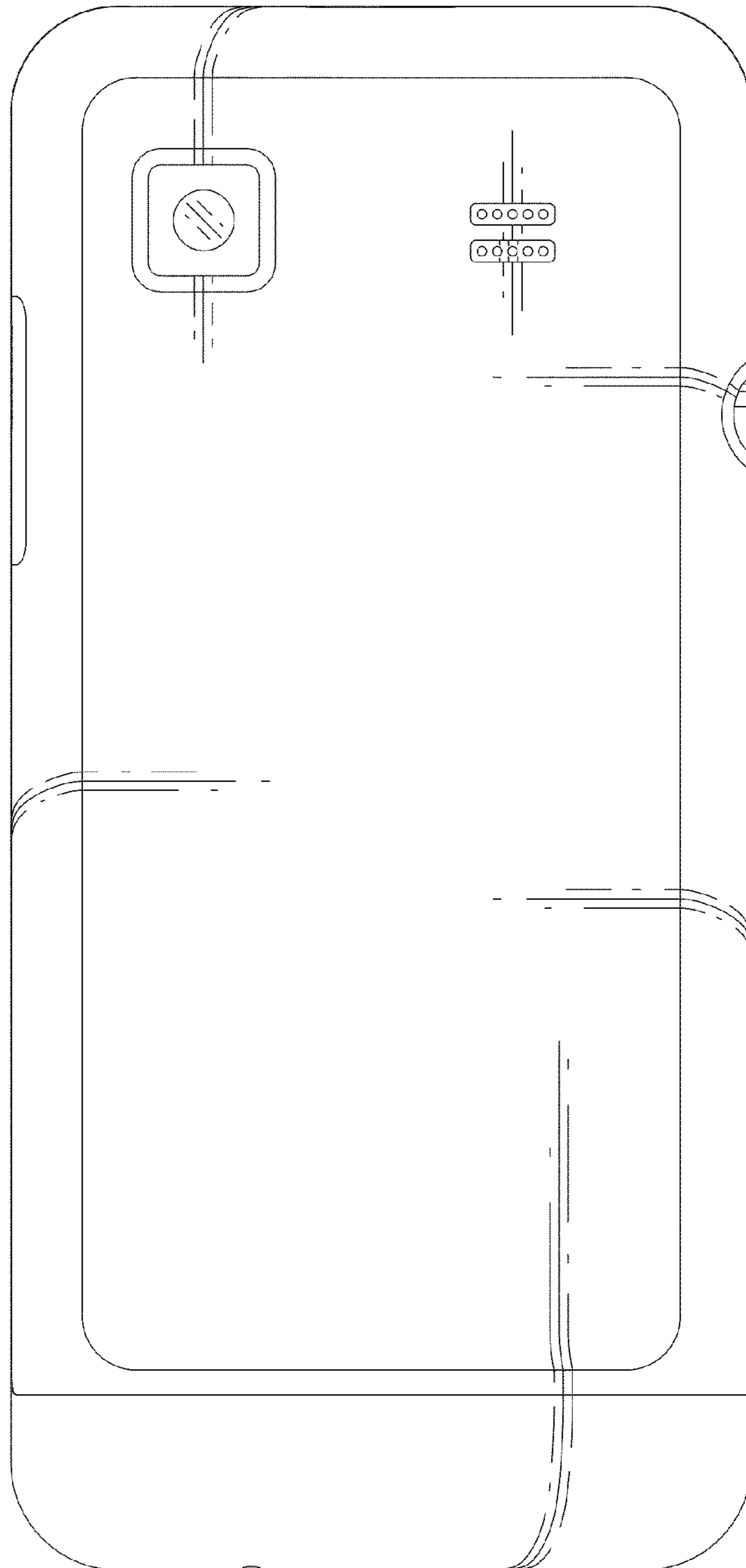


FIG. 4

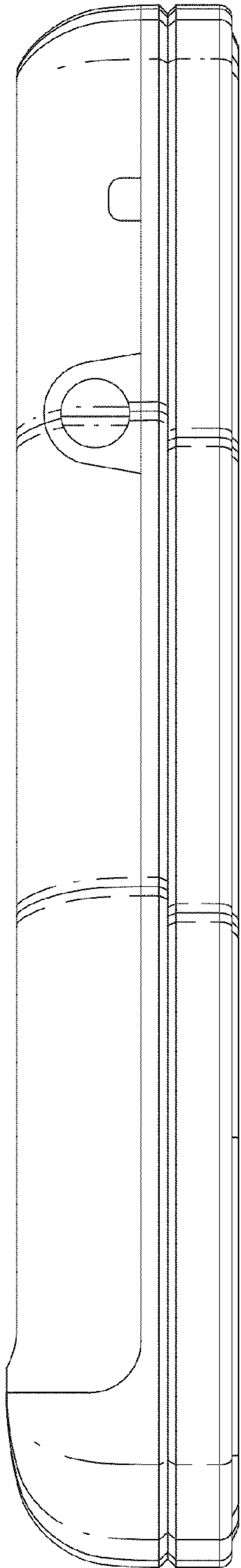


FIG. 5

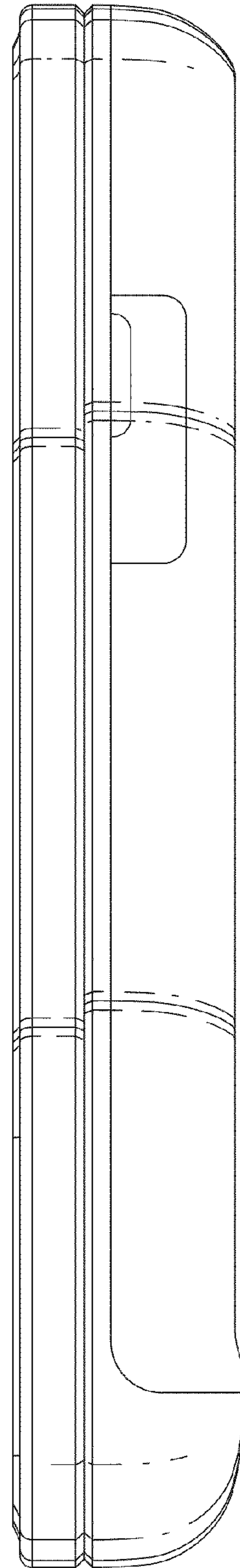


FIG. 6

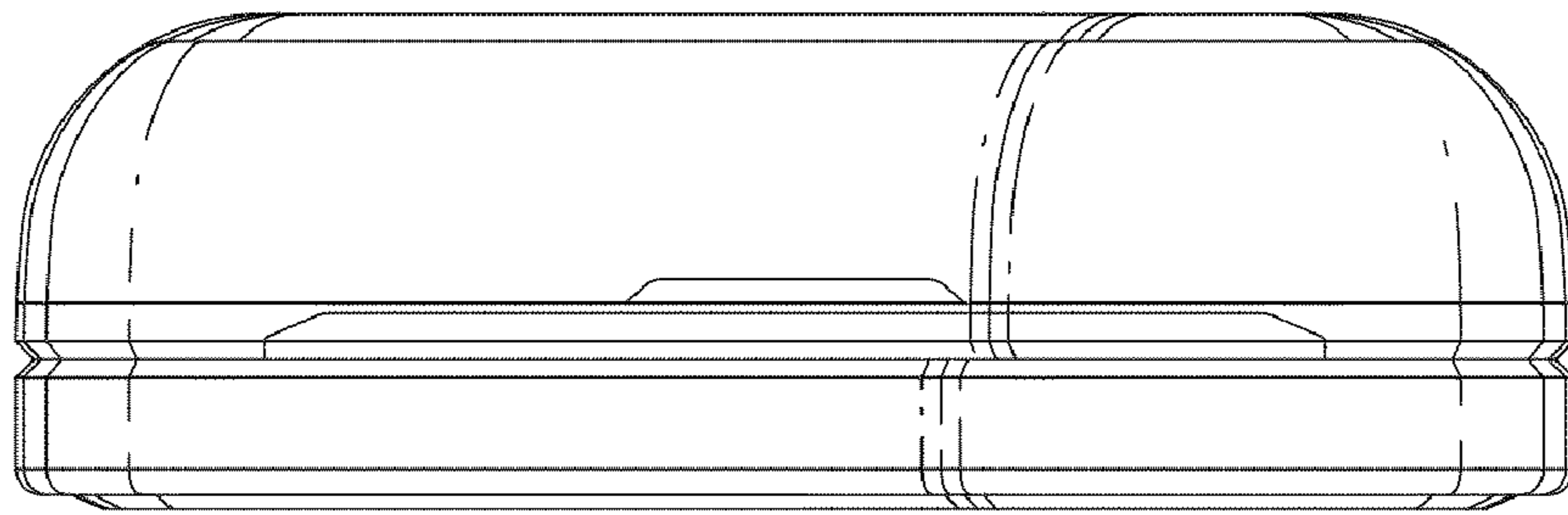


FIG. 7

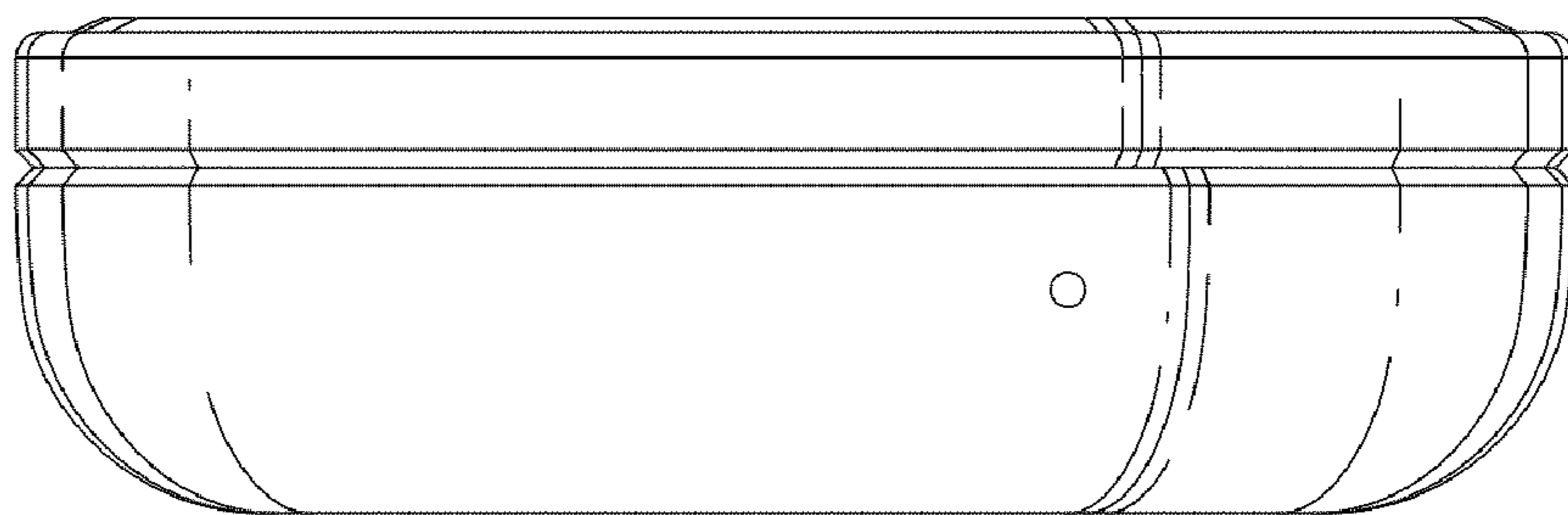


FIG. 8

