



US00D654457S

(12) **United States Design Patent**
Kim et al.

(10) **Patent No.:** **US D654,457 S**
(45) **Date of Patent:** **** Feb. 21, 2012**

(54) **MOBILE PHONE**

(75) Inventors: **Chang-Hwan Kim**, Kimpo-Si (KR);
Min-Hyouk Lee, Seoul (KR);
Chang-Hwan Hwang, Seongnam-Si (KR)

(73) Assignee: **Samsung Electronics Co., Ltd.** (KR)

(**) Term: **14 Years**

(21) Appl. No.: **29/387,107**

(22) Filed: **Mar. 9, 2011**

(30) **Foreign Application Priority Data**

Dec. 10, 2010 (KR) 30-2010-0053605

(51) **LOC (9) Cl.** **14-03**

(52) **U.S. Cl.** **D14/138 AD; D14/138 G**

(58) **Field of Classification Search** D14/138 R,
D14/138 AD, 138 AC, 138 C, 138 G, 191,
D14/203.1-203.8, 496, 138 AA, 138 AB,
D14/137, 147, 218, 341-347, 247-248; D10/65,
D10/78, 104; D13/168; D18/7; 455/566,
455/575.1, 575.3, 575.4
See application file for complete search history.

(56) **References Cited**

U.S. PATENT DOCUMENTS

- D564,375 S * 3/2008 Uno D10/65
- 7,412,264 B2 * 8/2008 Swallow 455/567
- D580,392 S * 11/2008 Kim et al. D14/138 AD
- D580,400 S * 11/2008 Chung et al. D14/138 AD
- D585,778 S * 2/2009 Weinschenk D10/65
- D589,382 S * 3/2009 Gretton D10/65
- D589,384 S * 3/2009 Gretton D10/65
- D594,356 S * 6/2009 Riddiford D10/65
- D594,454 S * 6/2009 Honda D14/345
- D601,139 S * 9/2009 Huang et al. D14/341

- D611,942 S * 3/2010 Kemery D14/341
- D625,306 S * 10/2010 Miyawaki D14/341
- D625,629 S * 10/2010 McAlpine et al. D10/65
- D632,688 S * 2/2011 Seong D14/346
- D636,391 S * 4/2011 Shen et al. D14/341

(Continued)

OTHER PUBLICATIONS

Acer F900, announced Feb. 2009, [online], [retrieved on Oct. 28, 2009]. Retrieved from Internet ,<URL: <http://www.gsmarena.com>>.*

(Continued)

Primary Examiner — Bridget L Eland

(74) *Attorney, Agent, or Firm* — NSIP Law

(57) **CLAIM**

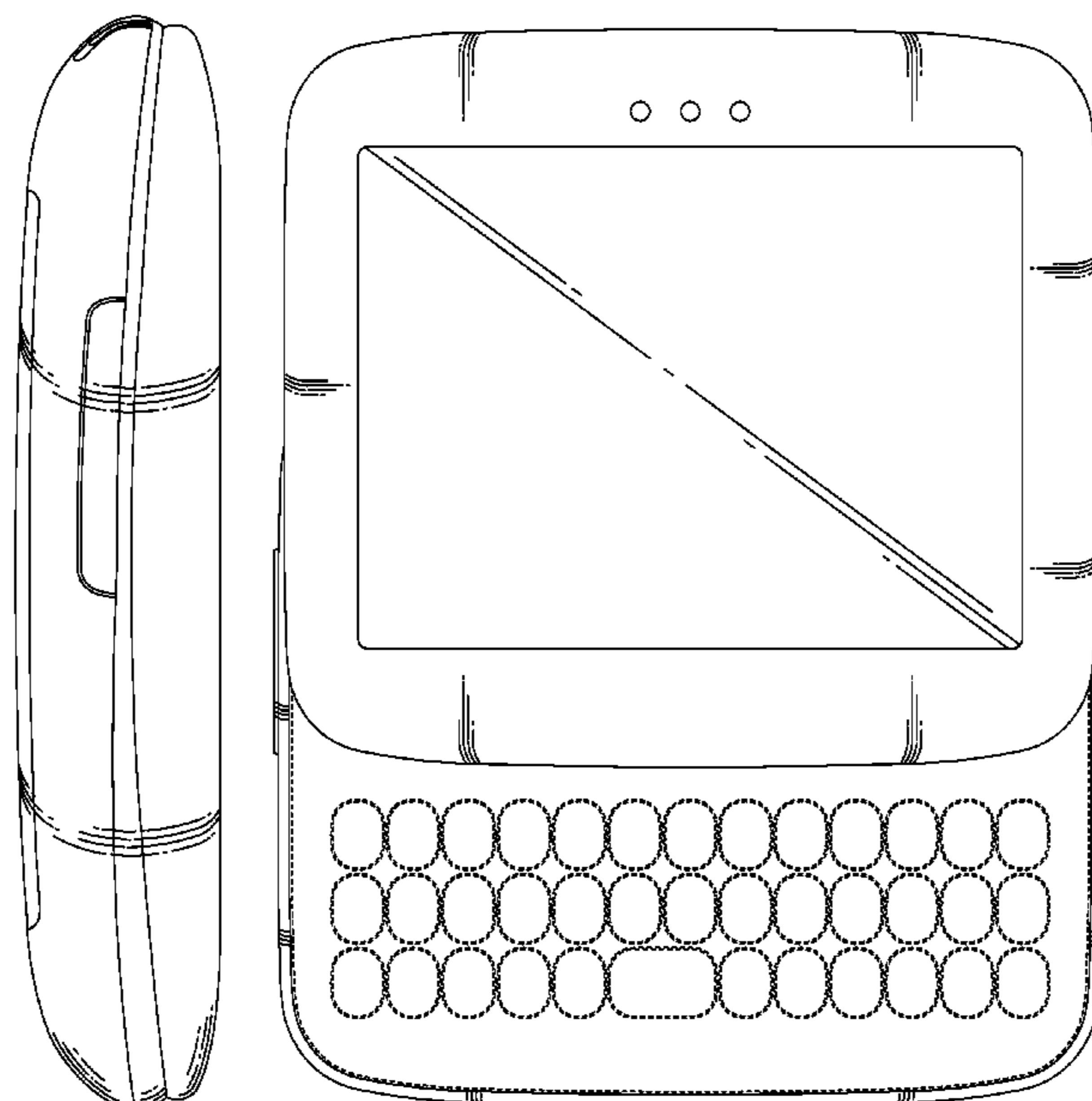
The ornamental design for a mobile phone, as shown and described.

DESCRIPTION

FIG. 1 is a perspective view of a mobile phone;
FIG. 2 is a front view of the mobile phone of FIG. 1;
FIG. 3 is a rear view of the mobile phone of FIG. 1;
FIG. 4 is a left-side view of the mobile phone of FIG. 1;
FIG. 5 is a right-side view of the mobile phone of FIG. 1;
FIG. 6 is a top plan view of the mobile phone of FIG. 1;
FIG. 7 is a bottom plan view of the mobile phone of FIG. 1;
FIG. 8 is an open front view of the mobile phone of FIG. 1;
and,
FIG. 9 is an open right-side view of the mobile phone of FIG. 1.

The broken line immediately adjacent the shaded area represents an unclaimed boundary while all other broken lines are directed to environment and are for illustrative purposes only; the broken lines form no part of the claimed design.

1 Claim, 7 Drawing Sheets



US D654,457 S

Page 2

U.S. PATENT DOCUMENTS

D639,261 S * 6/2011 Garnham et al. D14/138 G
D639,767 S * 6/2011 Finney et al. D14/138 G
D640,218 S * 6/2011 Ahn et al. D14/138 G
D642,562 S * 8/2011 Kato D14/341
2007/0232368 A1* 10/2007 Feightner et al. 455/575.1
2009/0143110 A1* 6/2009 Armstrong 455/566
2010/0081473 A1* 4/2010 Chatterjee et al. 455/559
2010/0245261 A1* 9/2010 Karlsson 345/173
2011/0086681 A1* 4/2011 Ladouceur et al. 455/575.4
2011/0117977 A1* 5/2011 Yamashita et al. 455/575.4
2011/0143823 A1* 6/2011 Holman et al. 455/575.4

OTHER PUBLICATIONS

Motorola Spice, announced Oct. 2010, [online], [retrieved on Oct. 13, 2010]. Retrieved from Internet ,<URL: <http://www.gsmarena.com>>.*

Motorola Bravo, announced Oct. 2010, [online], [retrieved on Oct. 13, 2010]. Retrieved from Internet ,<URL: <http://www.gsmarena.com>>.*

* cited by examiner

FIG. 1

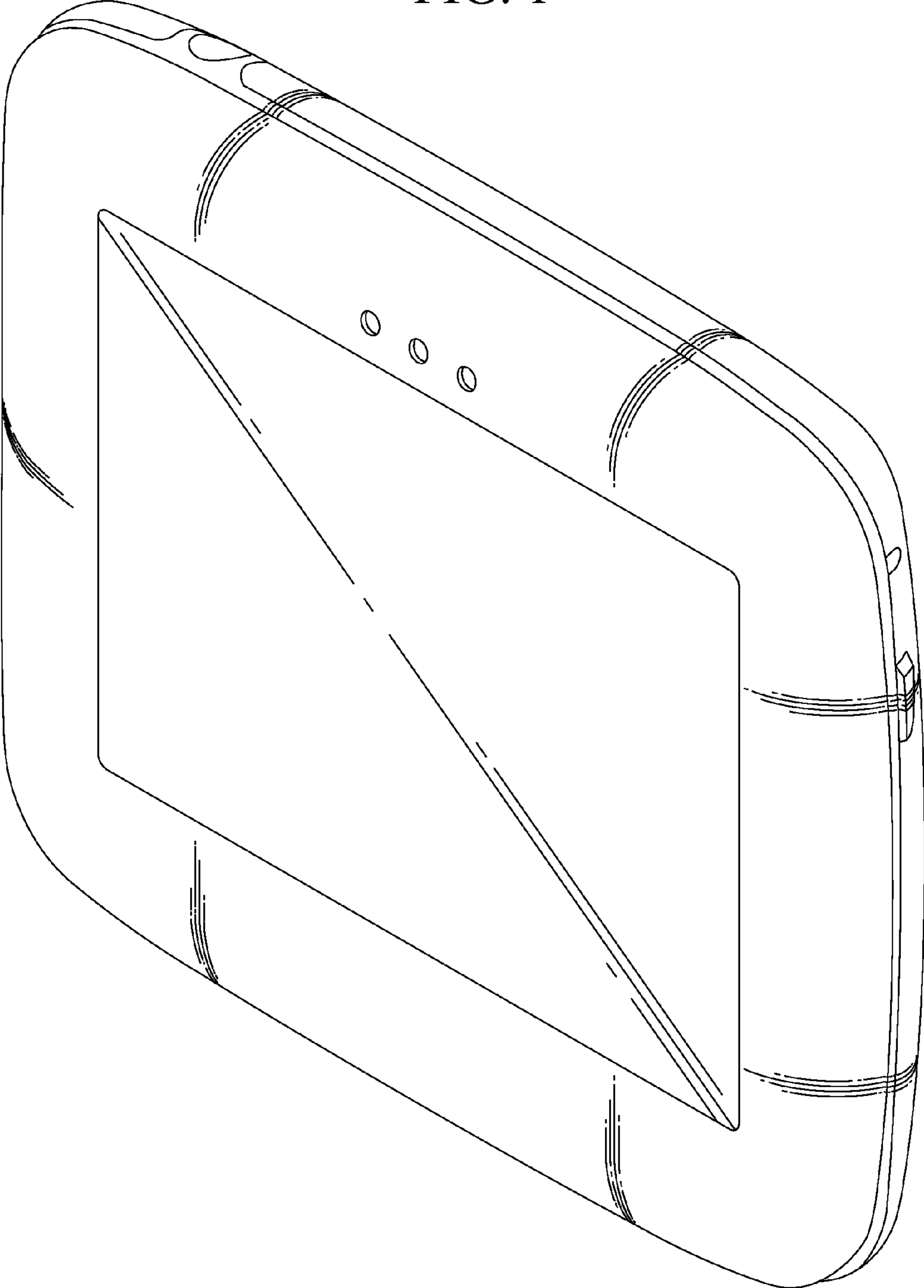


FIG. 2

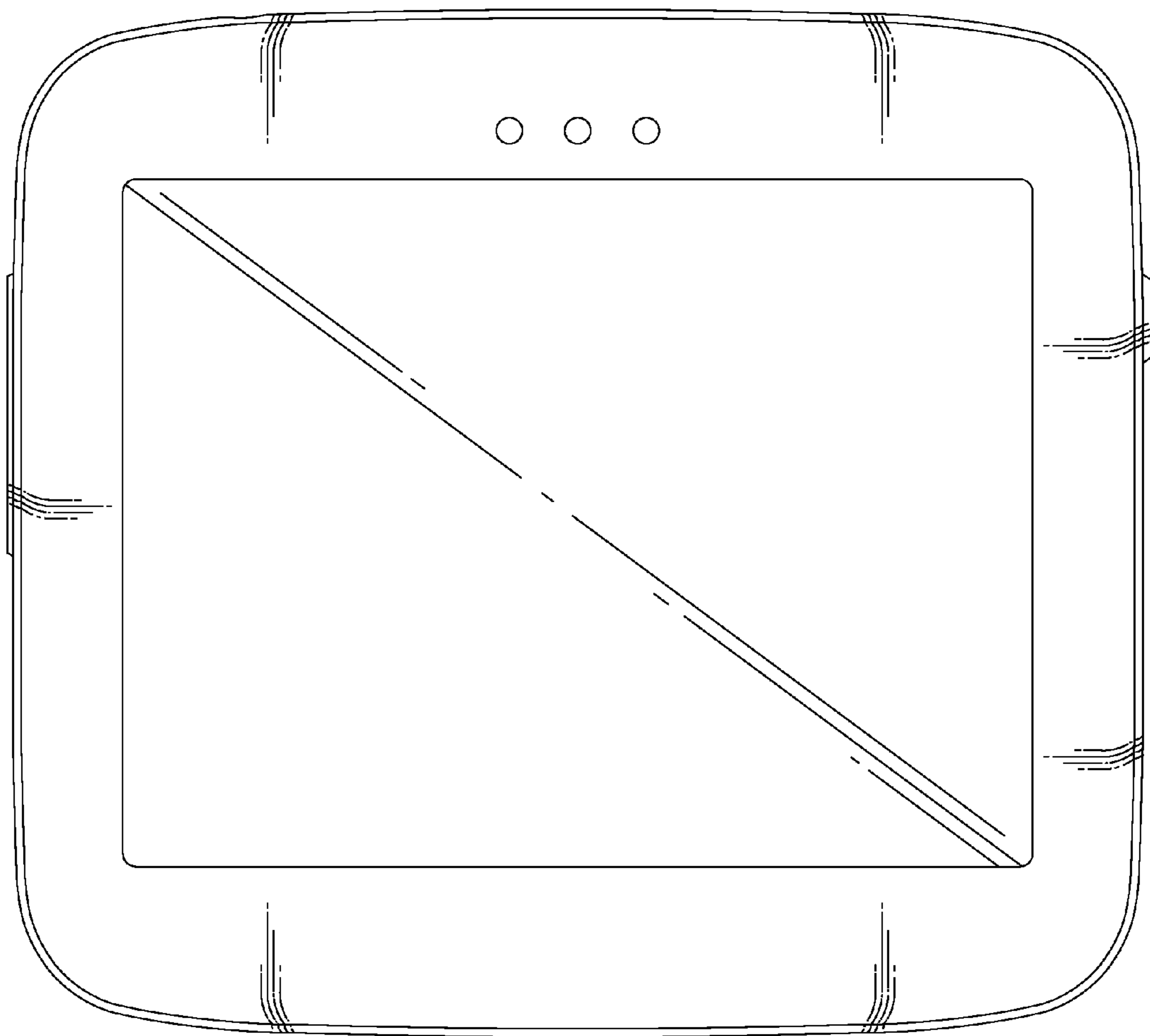


FIG. 3

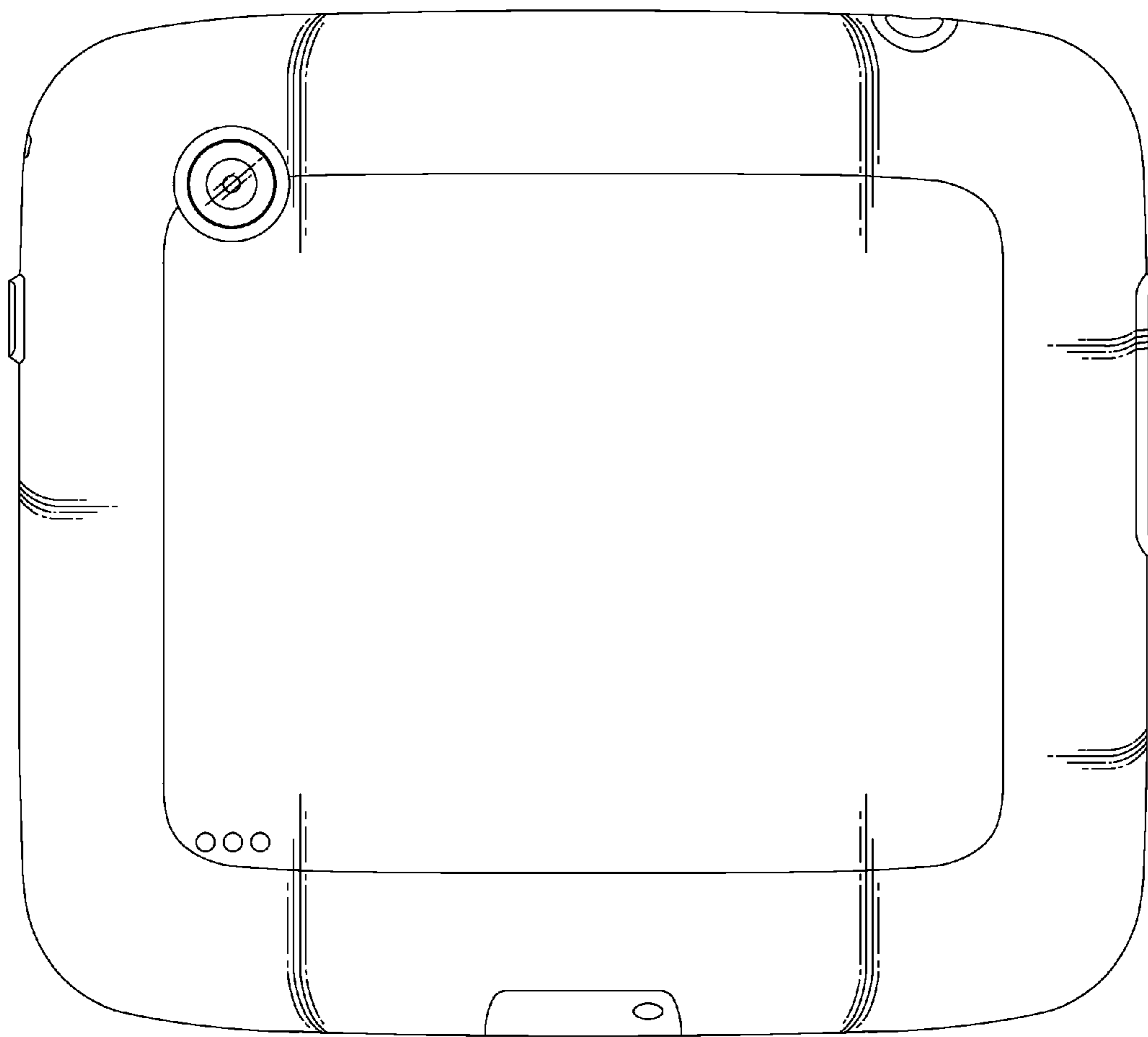


FIG. 4

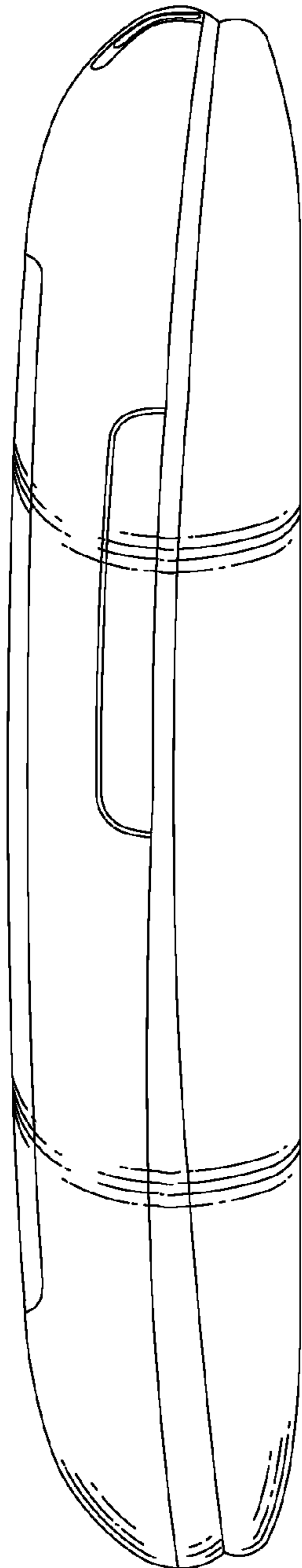


FIG. 5

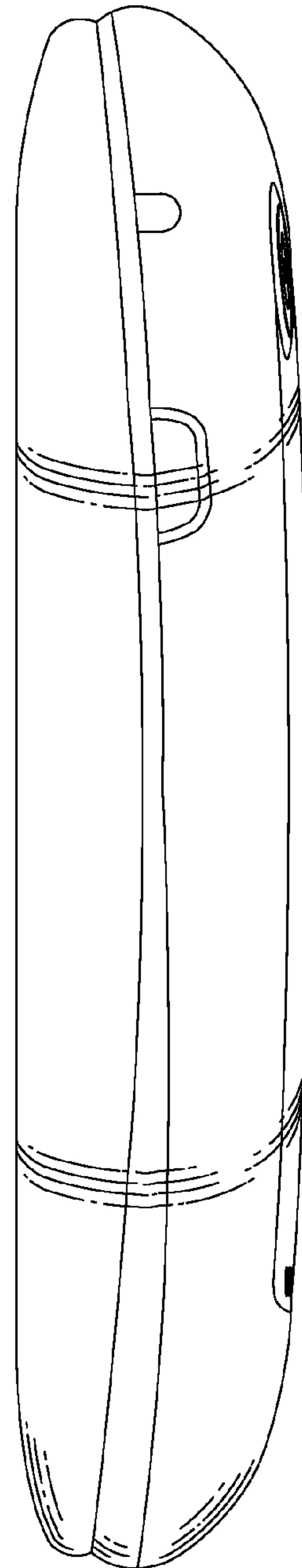


FIG. 6

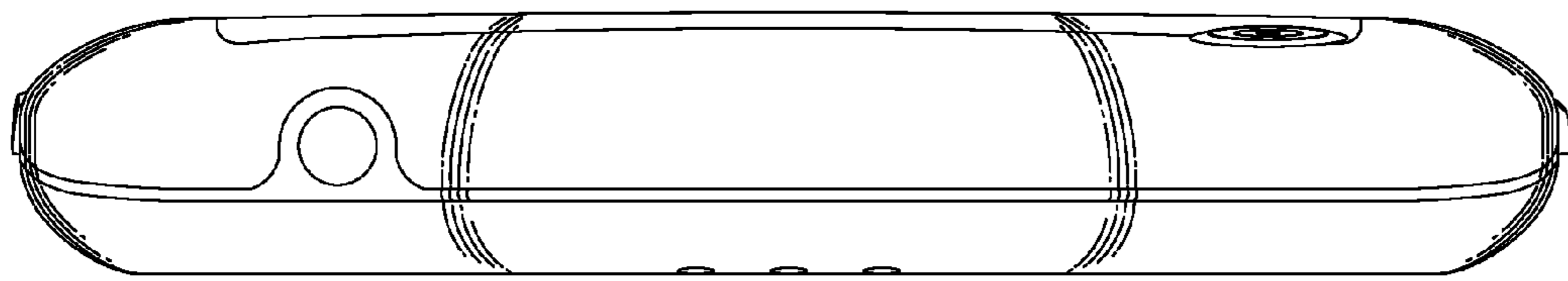


FIG. 7

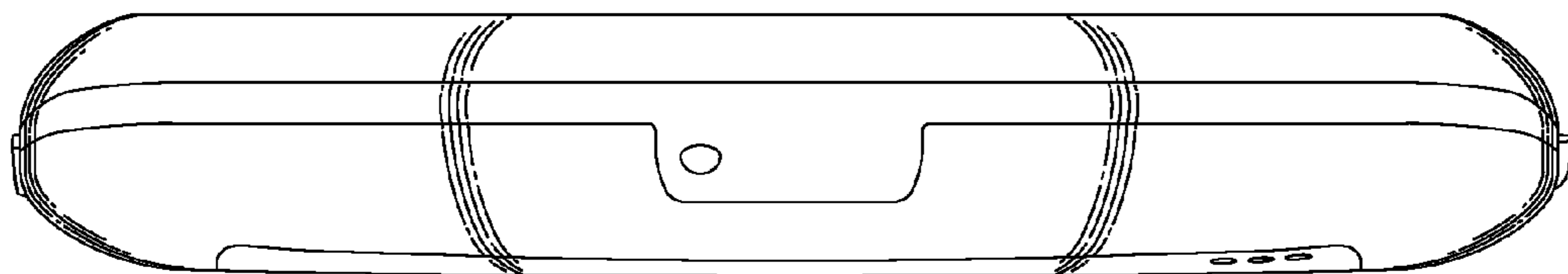


FIG. 8

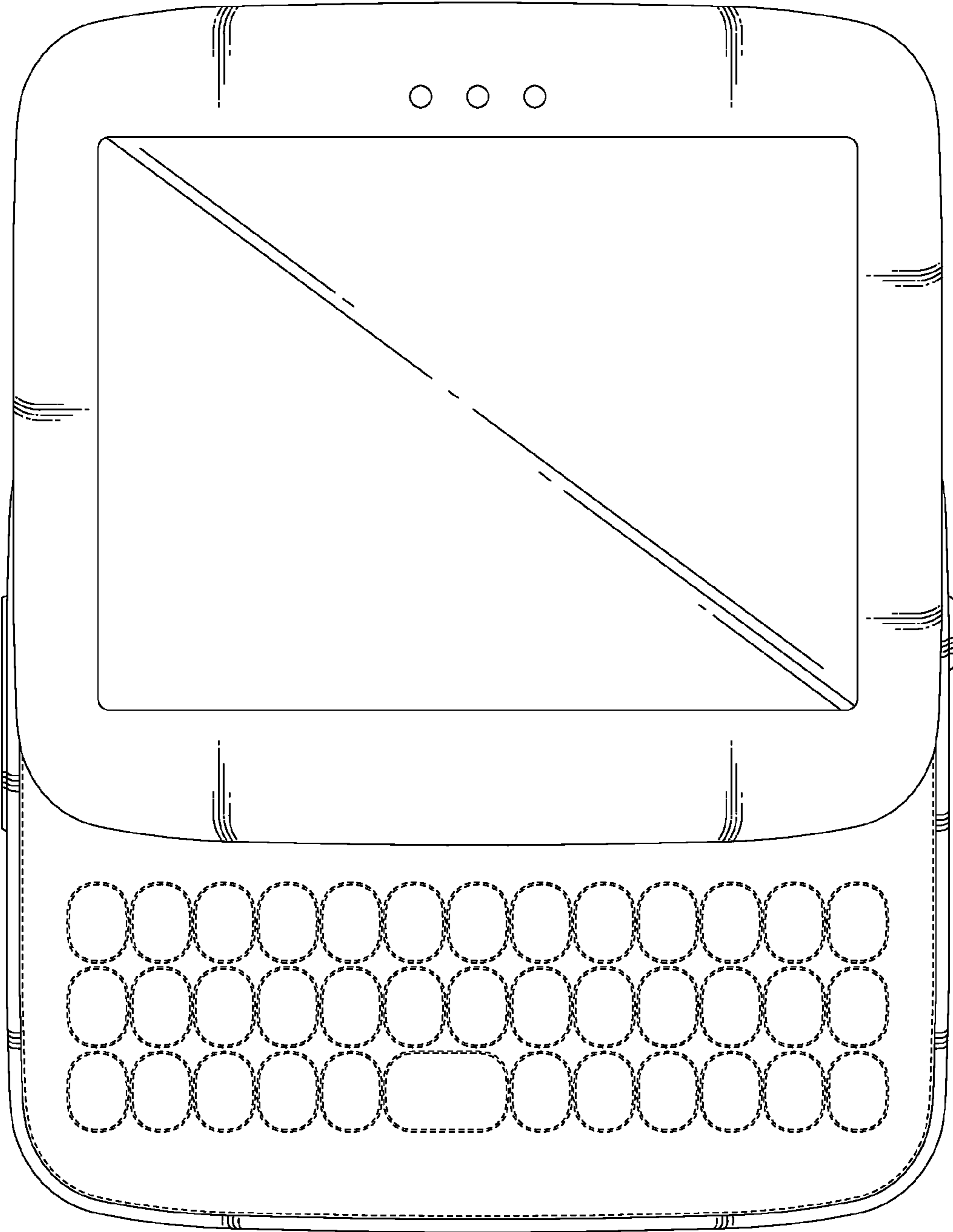


FIG. 9

