



US00D654450S

(12) **United States Design Patent**
McManigal et al.

(10) **Patent No.:** **US D654,450 S**

(45) **Date of Patent:** **** Feb. 21, 2012**

(54) **ELECTRONIC DEVICE WITH DOCK**

(75) Inventors: **Scott McManigal**, Irvine, CA (US);
Matthew McRae, Irvine, CA (US)

(73) Assignee: **Vizio Inc**, Irvine, CA (US)

(**) Term: **14 Years**

(21) Appl. No.: **29/384,609**

(22) Filed: **Feb. 1, 2011**

(51) **LOC (9) Cl.** **14-03**

(52) **U.S. Cl.** **D14/129; D14/126**

(58) **Field of Classification Search** D14/125-134,
D14/239, 371, 136, 374-377, 440, 450, 448,
D14/336, 342, 434; 312/7.2; 348/836, 838,
348/180, 184, 325, 739; 341/12; 248/917-924,
248/465; 345/104, 133, 156, 168, 87, 173;
720/605, 669, 600, 655; 369/99, 197; 455/344,
455/347; D21/329, 515, 577, 622, 333, 433,
D21/448, 452, 450, 331; D6/477, 479, 300;
273/148 B; 446/484, 175, 356; D10/15,
D10/26

See application file for complete search history.

(56) **References Cited**

U.S. PATENT DOCUMENTS

5,100,098 A * 3/1992 Hawkins 248/291.1
D403,670 S * 1/1999 Liao D14/375
D495,336 S * 8/2004 Andre et al. D14/434
D518,799 S * 4/2006 Peng D14/126

D558,209 S * 12/2007 Ikeda et al. D14/434
D563,915 S * 3/2008 Profit D14/126
D564,995 S * 3/2008 Gray D14/132
D587,663 S * 3/2009 Cometti D14/126

* cited by examiner

Primary Examiner — Raphael Barkai

(74) *Attorney, Agent, or Firm* — Law Office of Scott C. Harris, Inc.

(57) **CLAIM**

The ornamental design for an electronic device with dock, as shown and described.

DESCRIPTION

FIG. 1 is a perspective view of the electronic device with dock;

FIG. 2 shows a front side view of electronic device with dock;

FIG. 3 shows a back side view of the electronic device with dock;

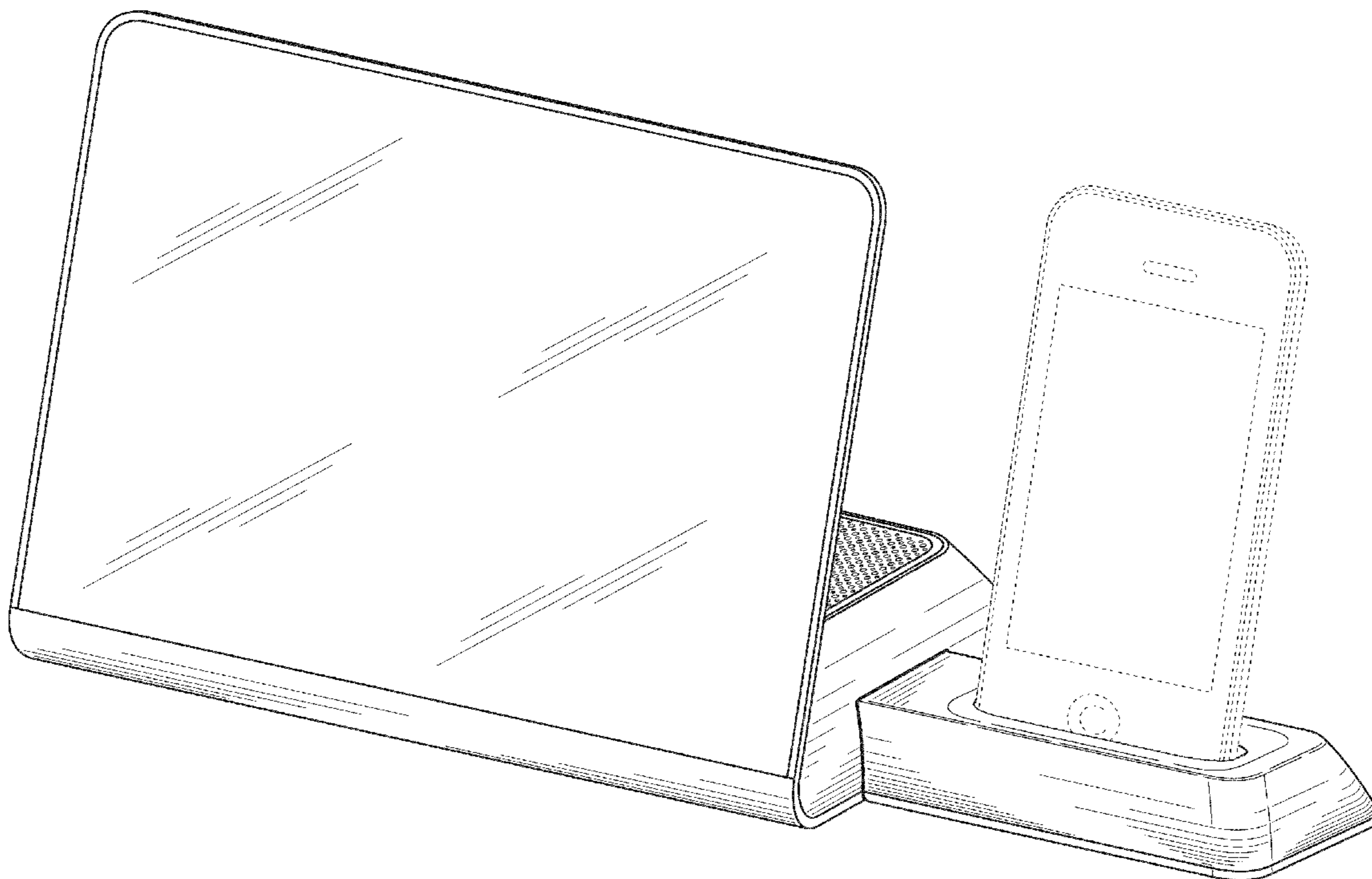
FIGS. 4 and 5 show first and second side views of the electronic device with dock;

FIGS. 6 and 7 show other side views of the electronic device with dock; and,

FIG. 8 shows the device with the dock removed.

The broken lines shown in FIGS. 1-6 are for illustrative purposes only and form no part of the claimed design. The electronic device is shown separately in FIG. 8 for ease of illustration only.

1 Claim, 7 Drawing Sheets



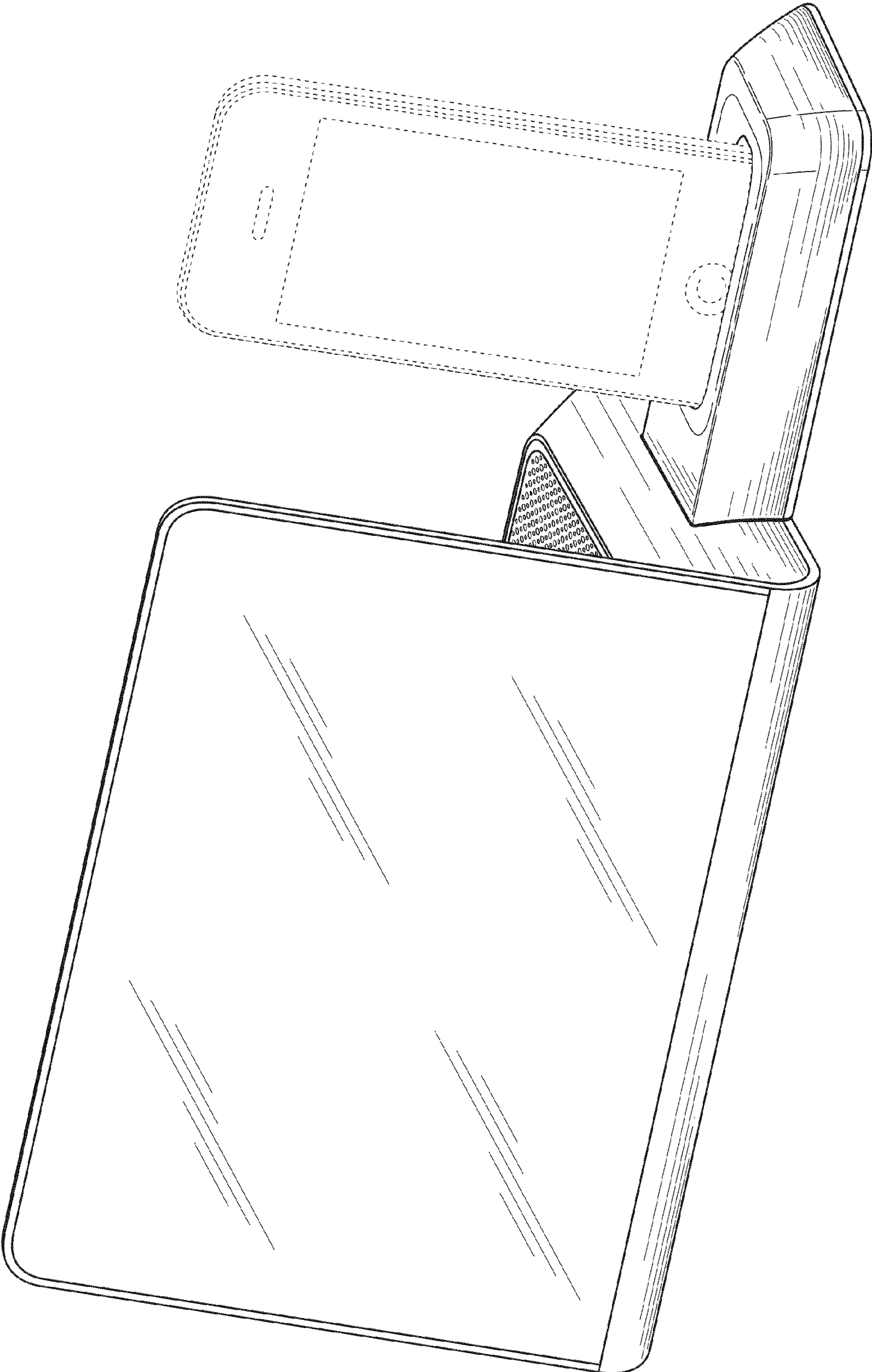


FIG. 1

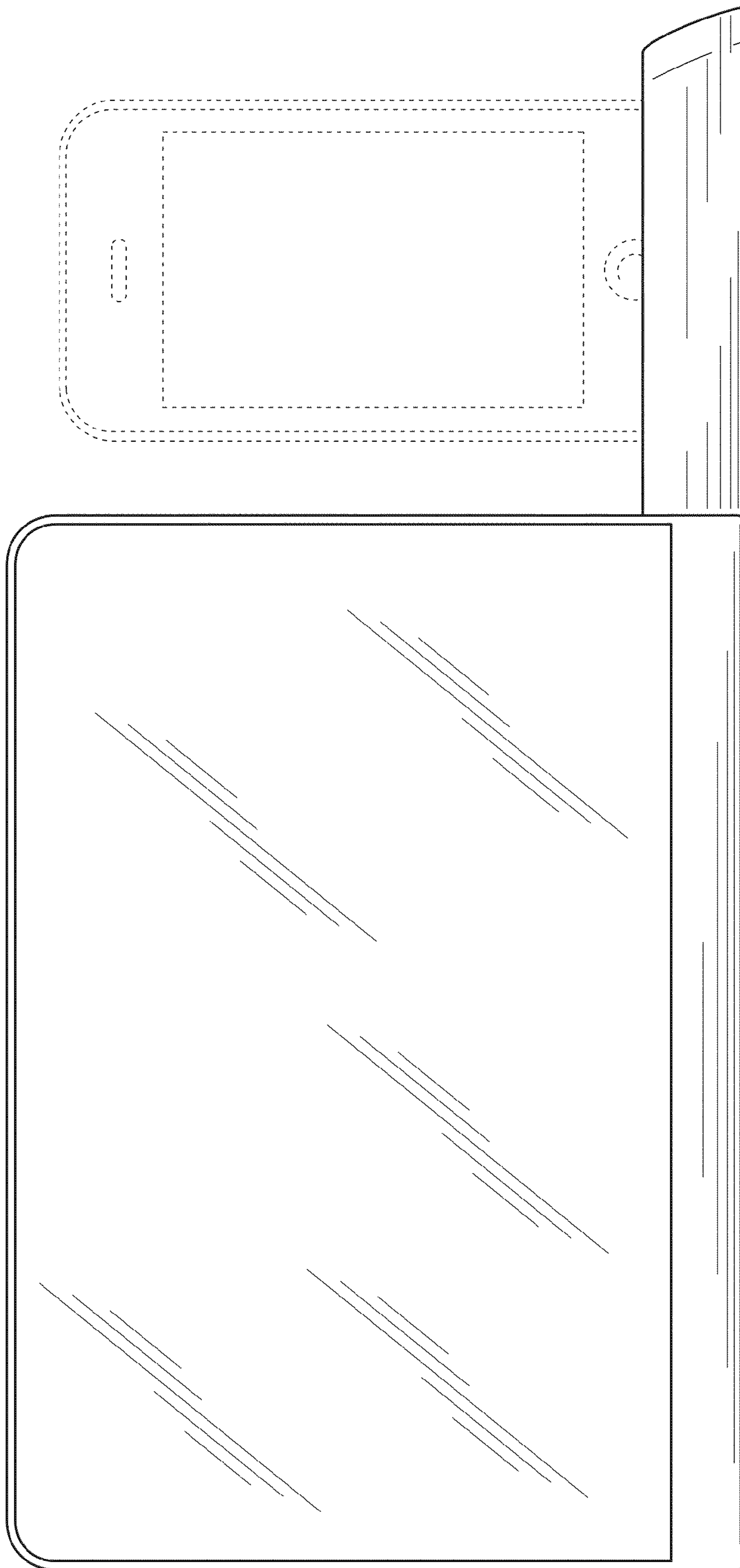


FIG. 2

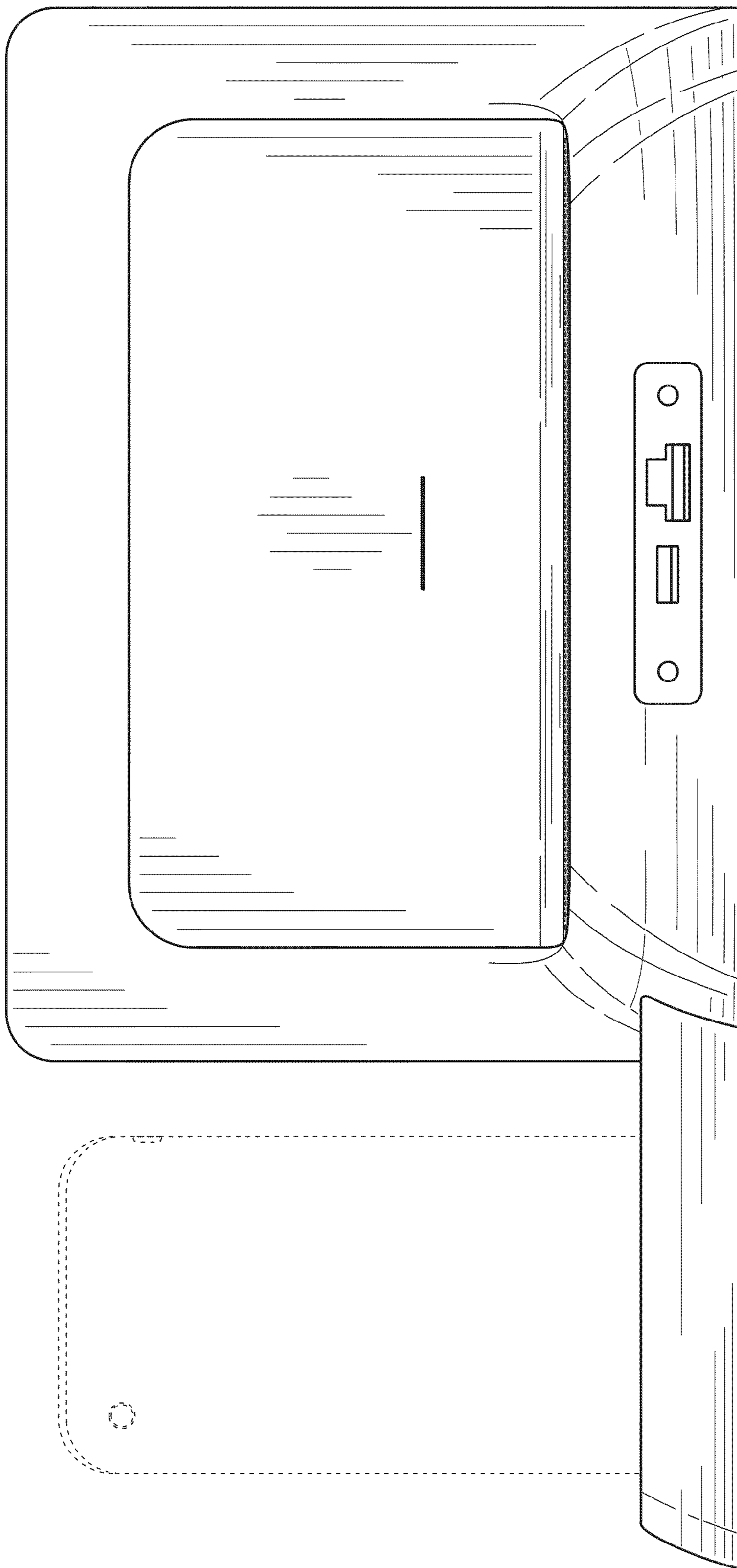


FIG. 3

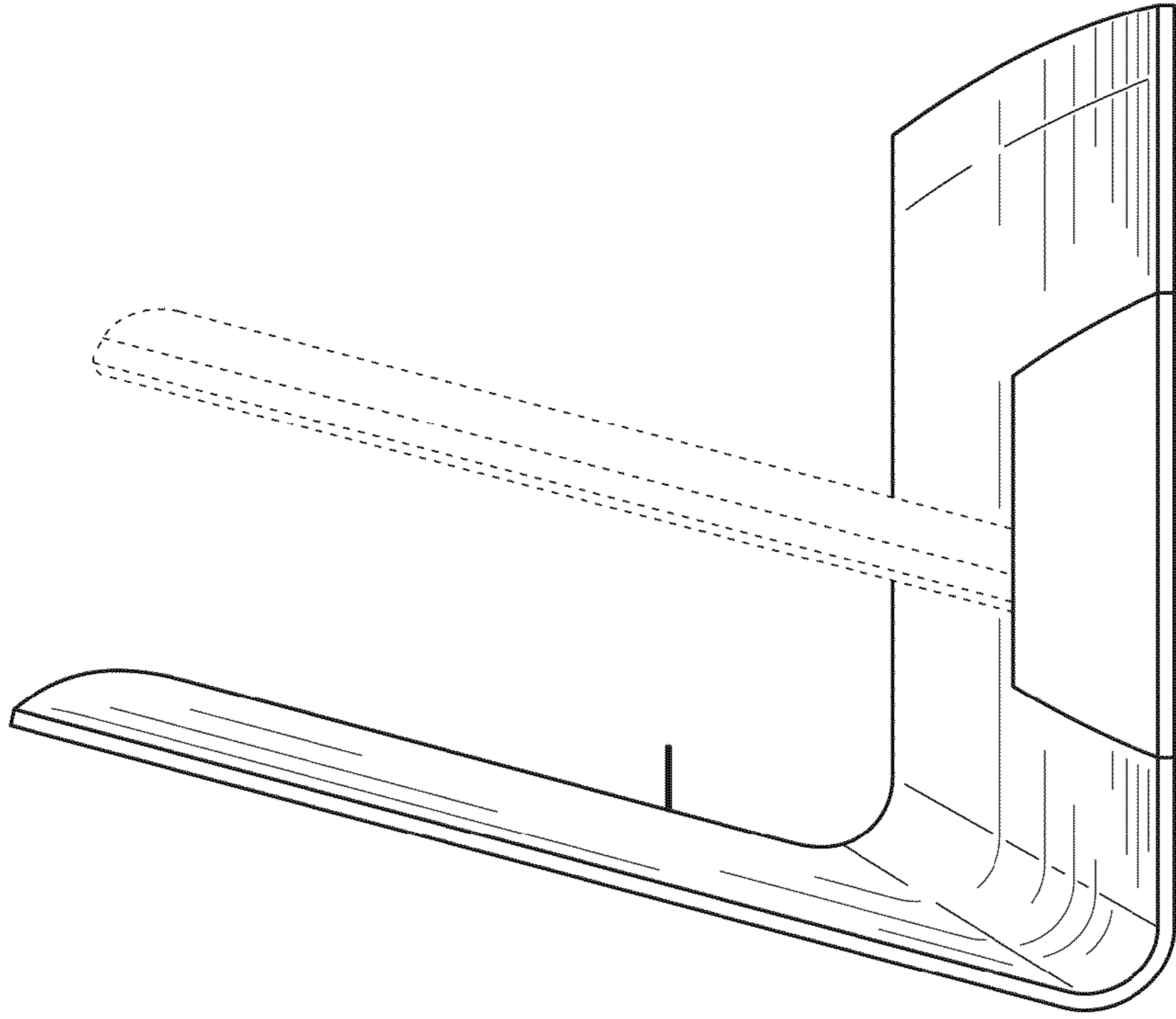


FIG. 5

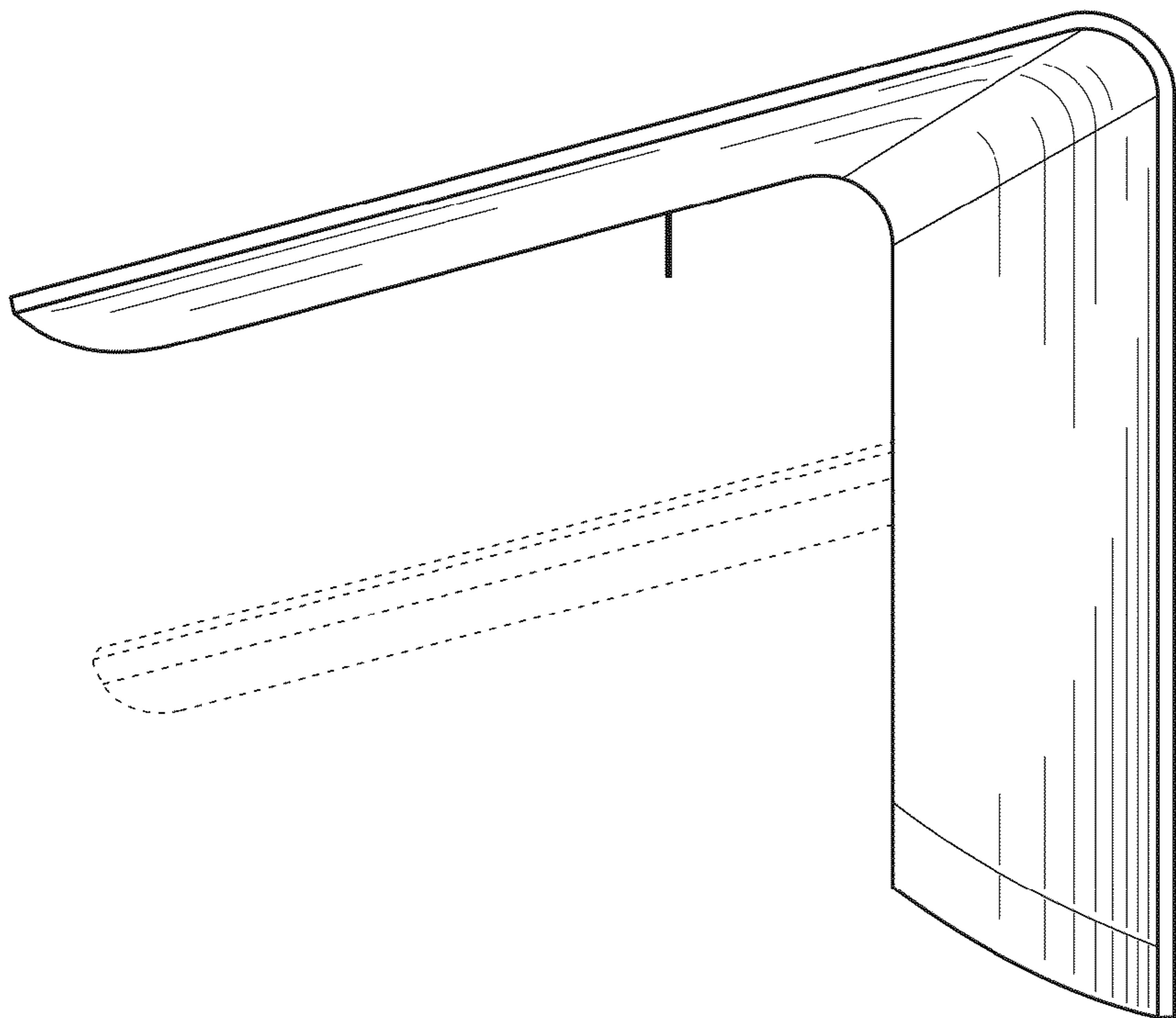


FIG. 4

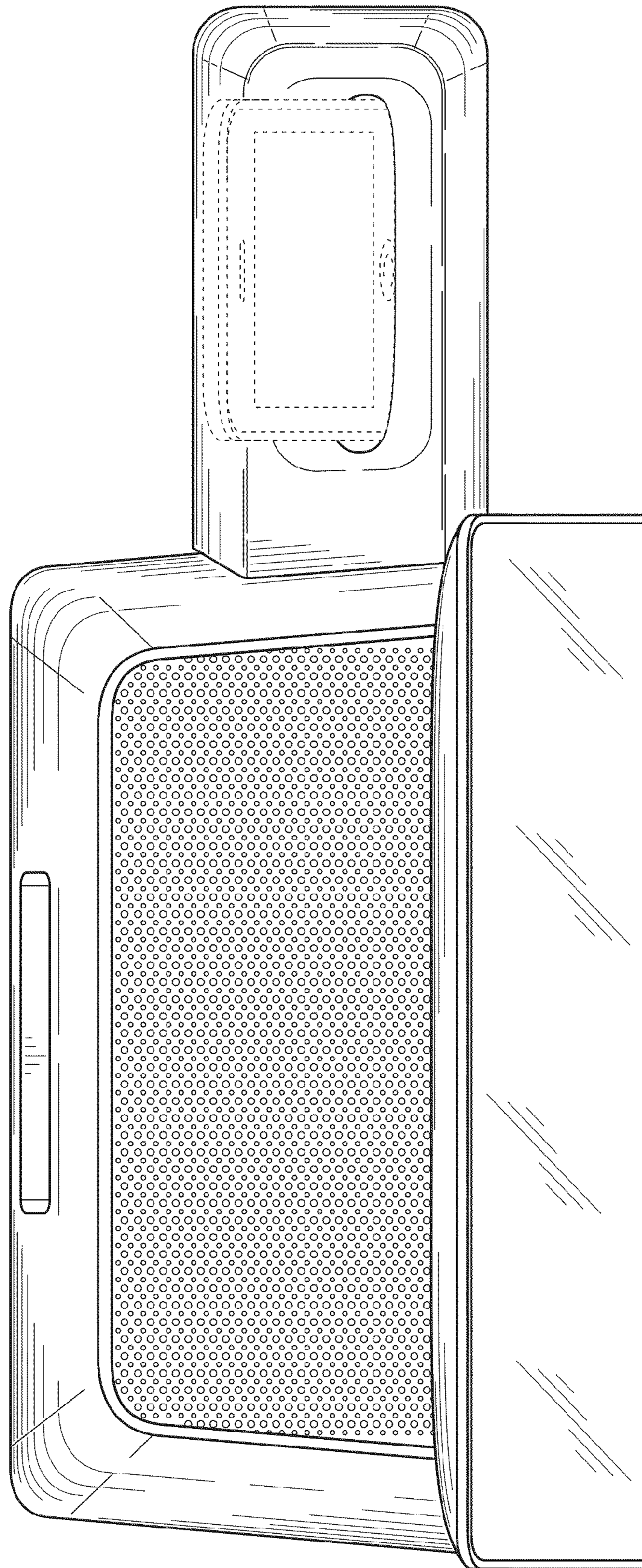


FIG. 6

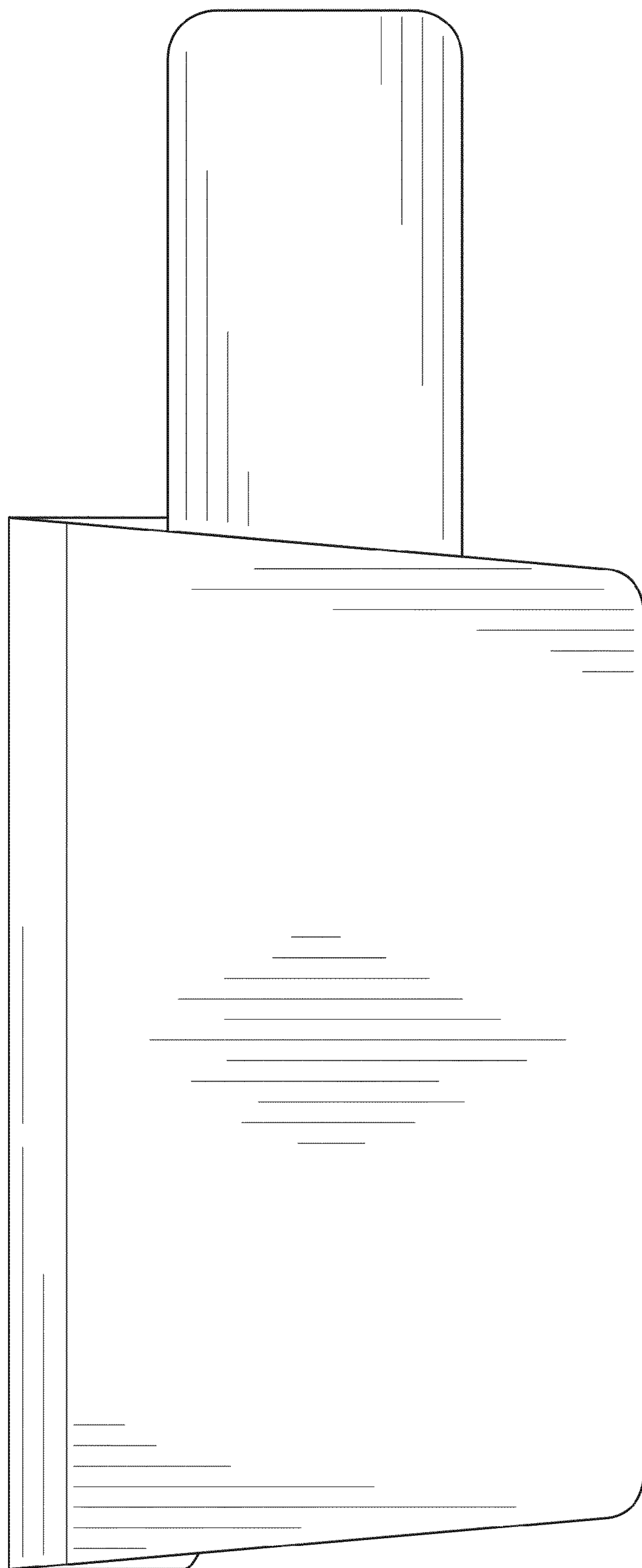


FIG. 7

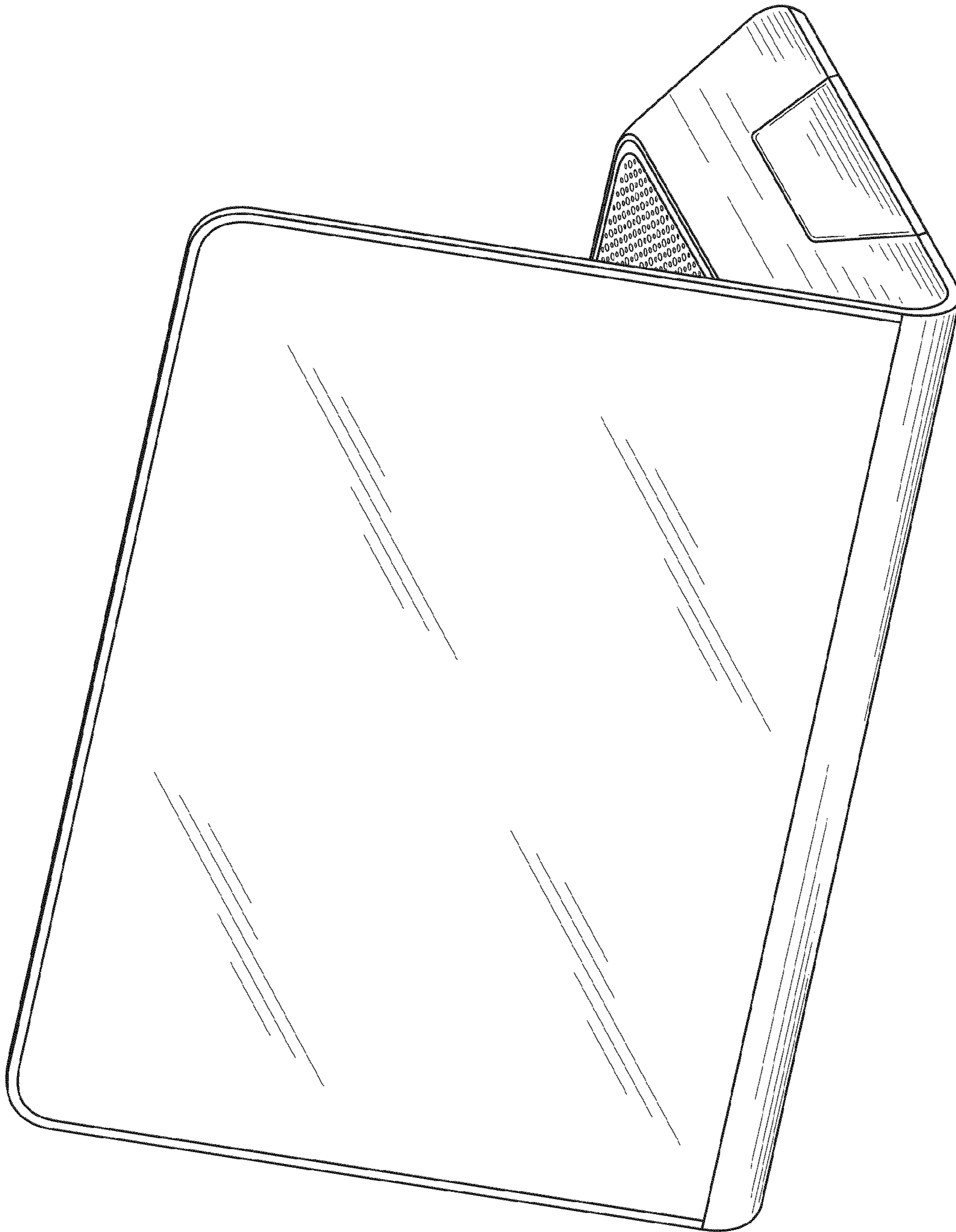


FIG. 8