



US00D654449S

(12) **United States Design Patent**  
**Chastain**

(10) **Patent No.:** **US D654,449 S**

(45) **Date of Patent:** **\*\* Feb. 21, 2012**

(54) **HIGH DEFINITION TELEVISION WITH INTEGRATED GAMING AND MULTI-MEDIA DEVICES**

(76) Inventor: **Keith Chastain**, Stockbridge, GA (US)

(\*\*) Term: **14 Years**

(21) Appl. No.: **29/398,563**

(22) Filed: **Aug. 2, 2011**

(51) **LOC (9) Cl.** ..... **14-03**

(52) **U.S. Cl.** ..... **D14/126; D14/129**

(58) **Field of Classification Search** ..... D14/125-134, D14/239, 371, 136, 374-377, 440, 450, 448, D14/336, 342; 312/7.2; 348/836, 838, 180, 348/184, 325, 739; 341/12; 248/917-924, 248/465; 345/104, 133, 156, 168, 87, 173; 720/605, 669, 600, 655; 369/99, 197; 455/344, 455/347; D21/329, 515, 577, 622, 333, 433, D21/448, 452, 450, 331; D6/477, 479, 300; 273/148 B; 446/484, 175, 356; D10/15, D10/26

See application file for complete search history.

(56) **References Cited**

**U.S. PATENT DOCUMENTS**

5,161,803 A 11/1992 Ohara  
6,769,989 B2 8/2004 Smith et al.  
D548,708 S \* 8/2007 Park et al. .... D14/126  
D555,610 S \* 11/2007 Yang et al. .... D14/126

D559,807 S \* 1/2008 Fujii ..... D14/126  
D570,806 S \* 6/2008 Lee ..... D14/126  
D605,150 S \* 12/2009 Kim ..... D14/126  
D616,842 S \* 6/2010 Kim ..... D14/126  
D622,236 S 8/2010 Lim et al.  
D625,278 S \* 10/2010 Kim et al. .... D14/126  
D643,824 S \* 8/2011 Ryu et al. .... D14/126  
2005/0047072 A1 3/2005 Pan  
2009/0206641 A1 8/2009 Brown, Jr.  
2010/0026912 A1 2/2010 Ho

\* cited by examiner

*Primary Examiner* — Raphael Barkai

(74) *Attorney, Agent, or Firm* — Kyle Fletcher

(57) **CLAIM**

I claim the ornamental design for the high definition television with integrated gaming and multi-media devices, as shown and described.

**DESCRIPTION**

FIG. 1 is a front view of the high definition television with integrated gaming and multi-media devices.

FIG. 2 is a rear view of the claimed design wherein a mounting bracket is depicted in broken lines and is environmental matter forming no part of the claimed design.

FIG. 3 is a left side view of the claimed design.

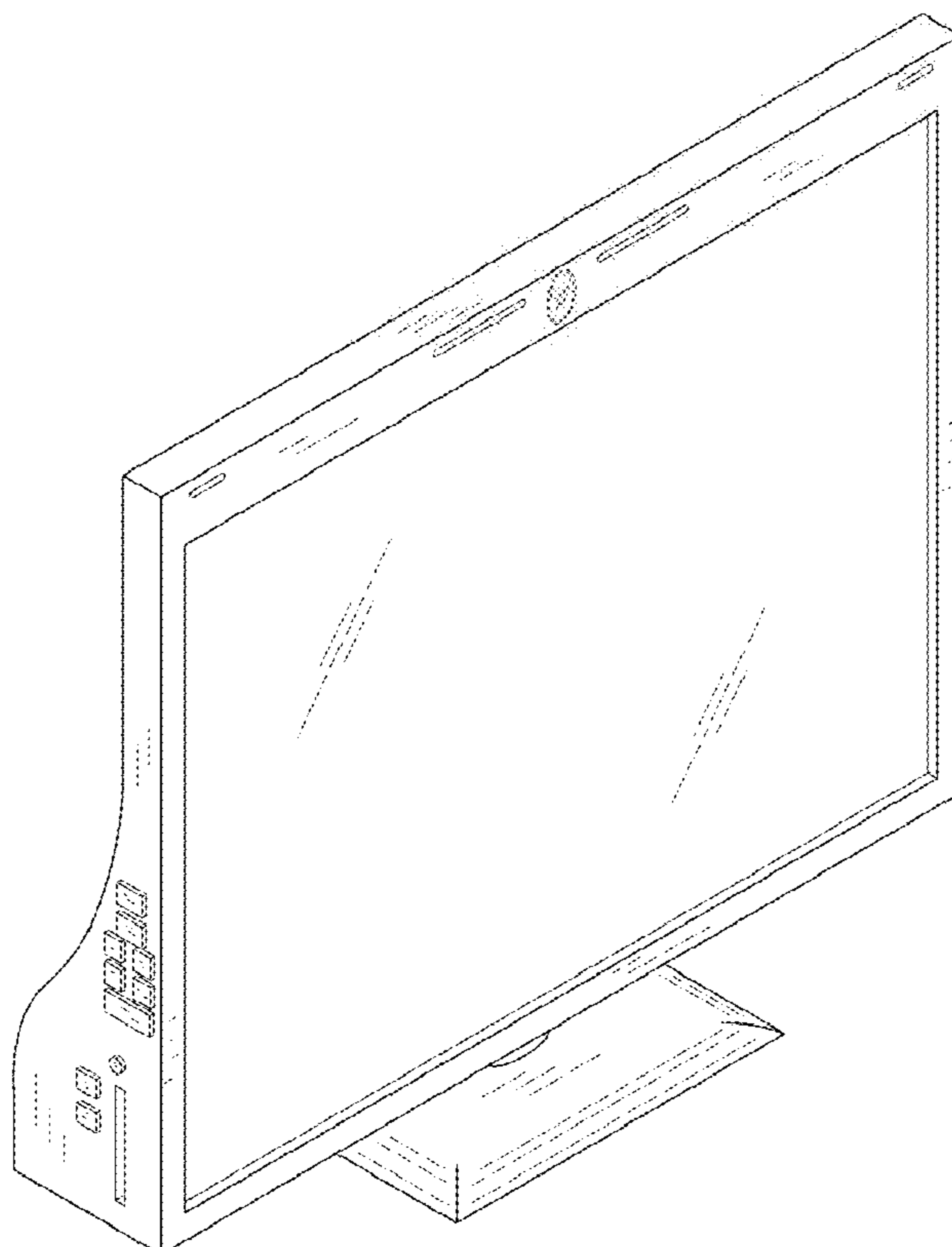
FIG. 4 is a right side view of the claimed design.

FIG. 5 is a top view of the claimed design.

FIG. 6 is a bottom view of the claimed design; and,

FIG. 7 is a perspective view of the claimed design.

**1 Claim, 5 Drawing Sheets**



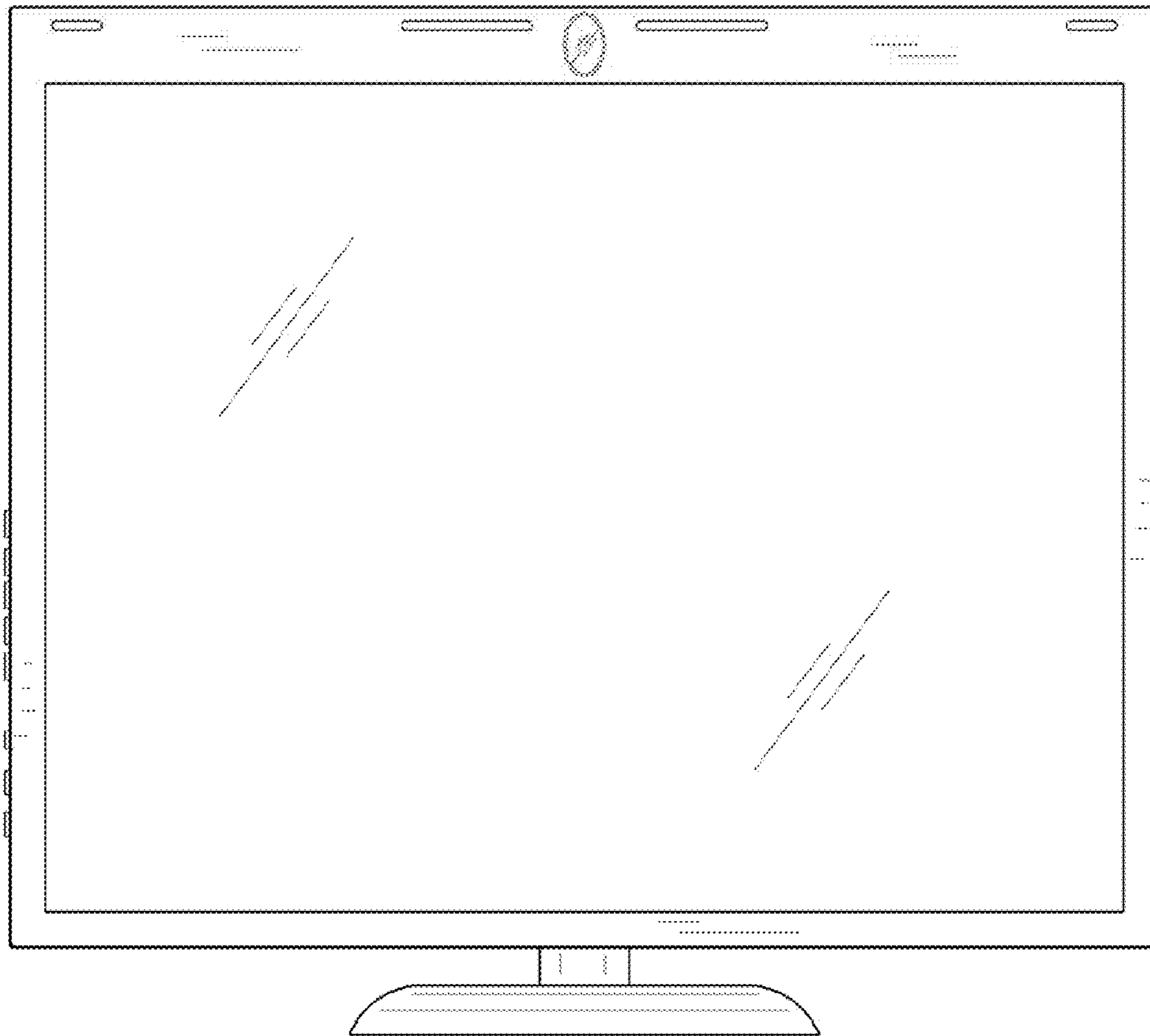


FIG. 1

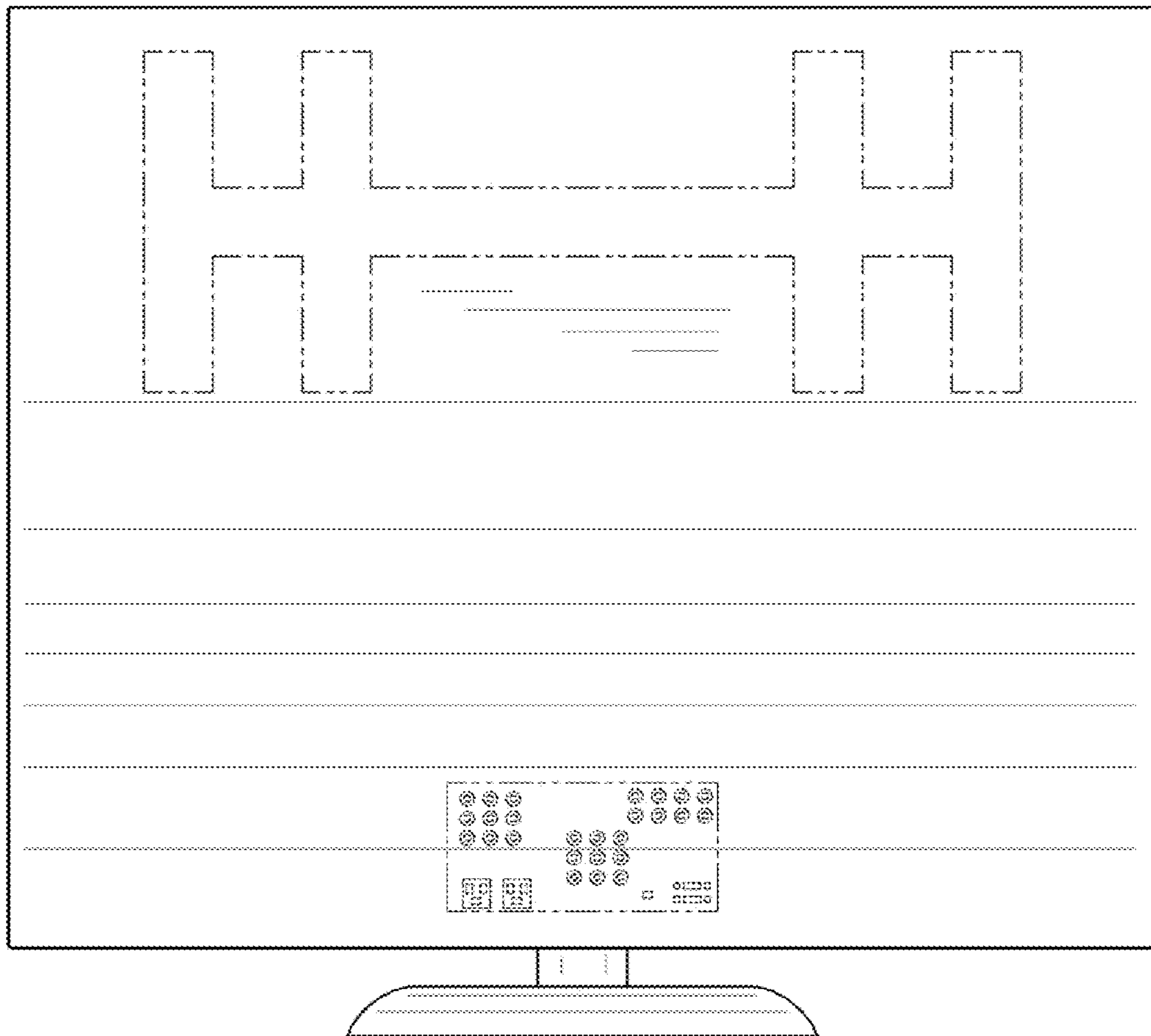


FIG. 2

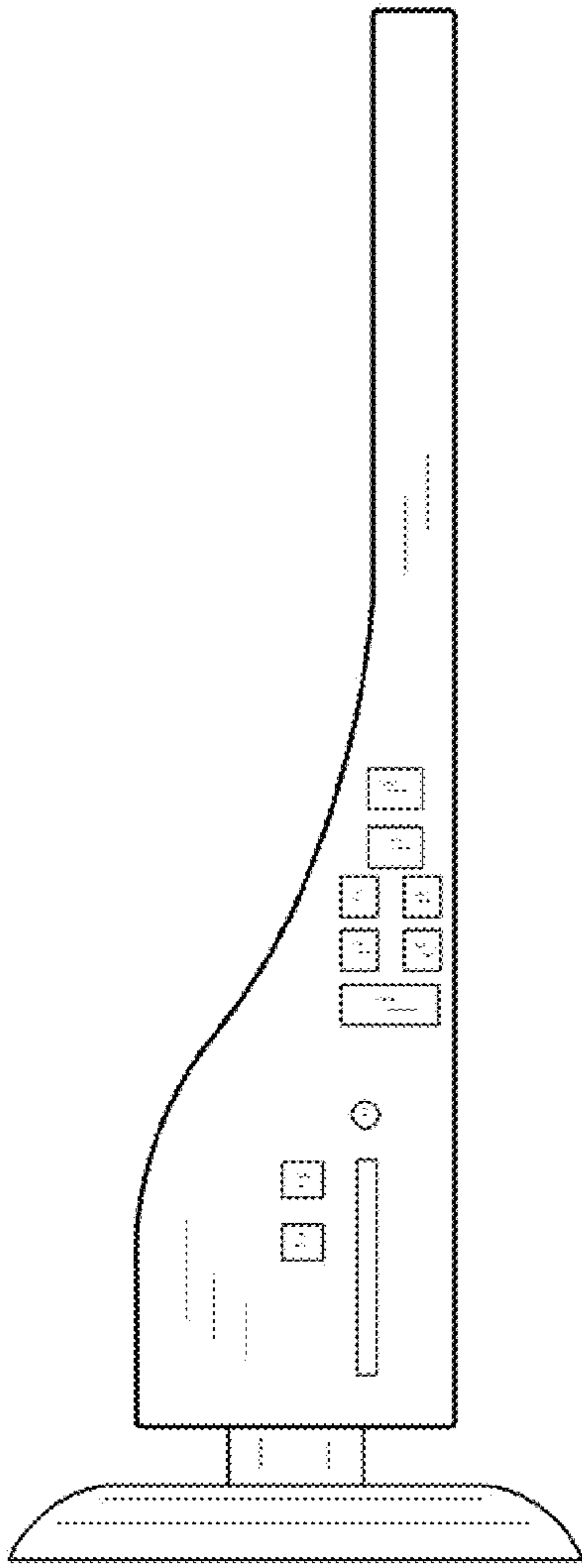


FIG. 3

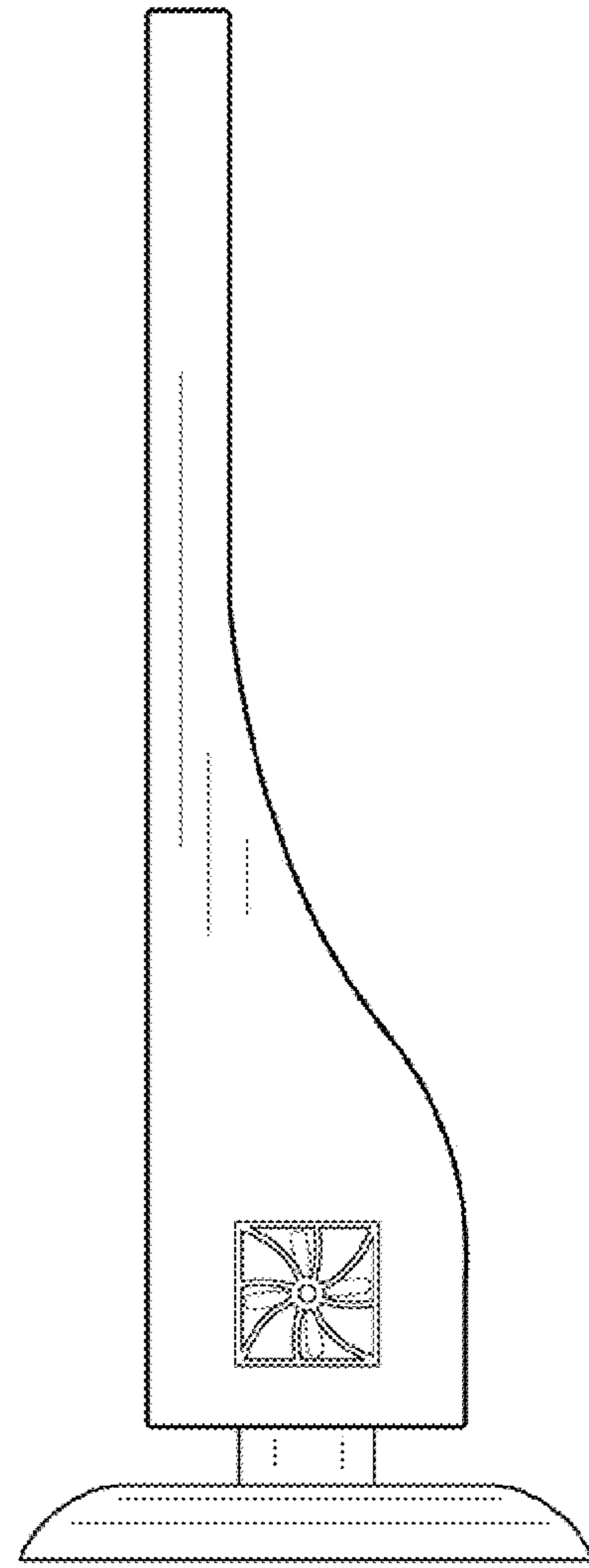


FIG. 4

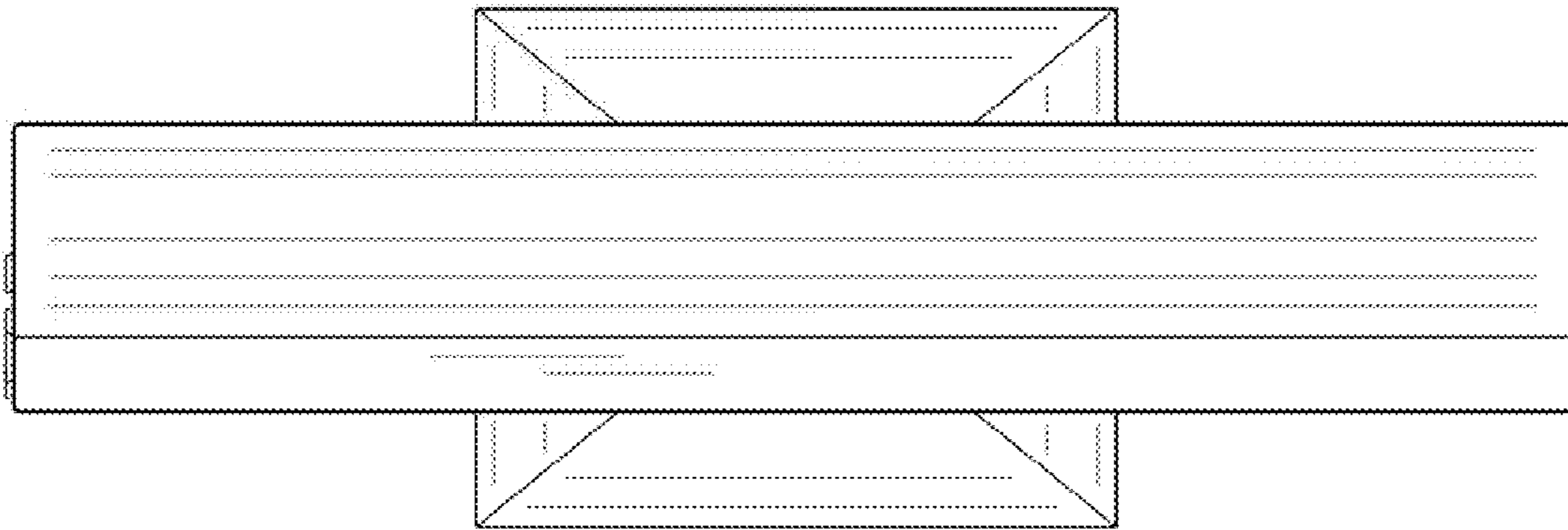


FIG. 5



FIG. 6

FIG. 7

