

US00D654445S

(12) **United States Design Patent**  
**Daniel**

(10) **Patent No.:** **US D654,445 S**

(45) **Date of Patent:** **\*\* Feb. 21, 2012**

(54) **SET TOP BOX DEVICE**

(76) **Inventor:** **Isaac S. Daniel**, Miramar, FL (US)

(\*\*) **Term:** **14 Years**

(21) **Appl. No.:** **29/387,493**

(22) **Filed:** **Mar. 14, 2011**

(51) **LOC (9) Cl.** ..... **14-03**

(52) **U.S. Cl.** ..... **D14/125**

(58) **Field of Classification Search** ..... D14/125,  
D14/357-358, 496, 188, 242, 432; D13/184;  
348/10, 460, 706, 731; 340/825.03; 455/6.1,  
455/6.2; 312/223.1, 7.2

See application file for complete search history.

(56) **References Cited**

**U.S. PATENT DOCUMENTS**

D524,319 S *	7/2006	Zamanian	.....	D14/447
D549,190 S *	8/2007	Paradise et al.	.....	D14/125
D563,334 S *	3/2008	Wang	.....	D14/125
D568,312 S *	5/2008	Wang et al.	.....	D14/356
D617,341 S *	6/2010	Kim et al.	.....	D14/501

D638,384 S *	5/2011	Ishibashi	.....	D14/125
D639,255 S *	6/2011	de Salis	.....	D14/125
D640,213 S *	6/2011	Luo	.....	D14/125
D640,646 S *	6/2011	Wu et al.	.....	D14/125

\* cited by examiner

*Primary Examiner* — Raphael Barkai

*Assistant Examiner* — Randall Gholson

(74) *Attorney, Agent, or Firm* — Carol N. Green, Esq.

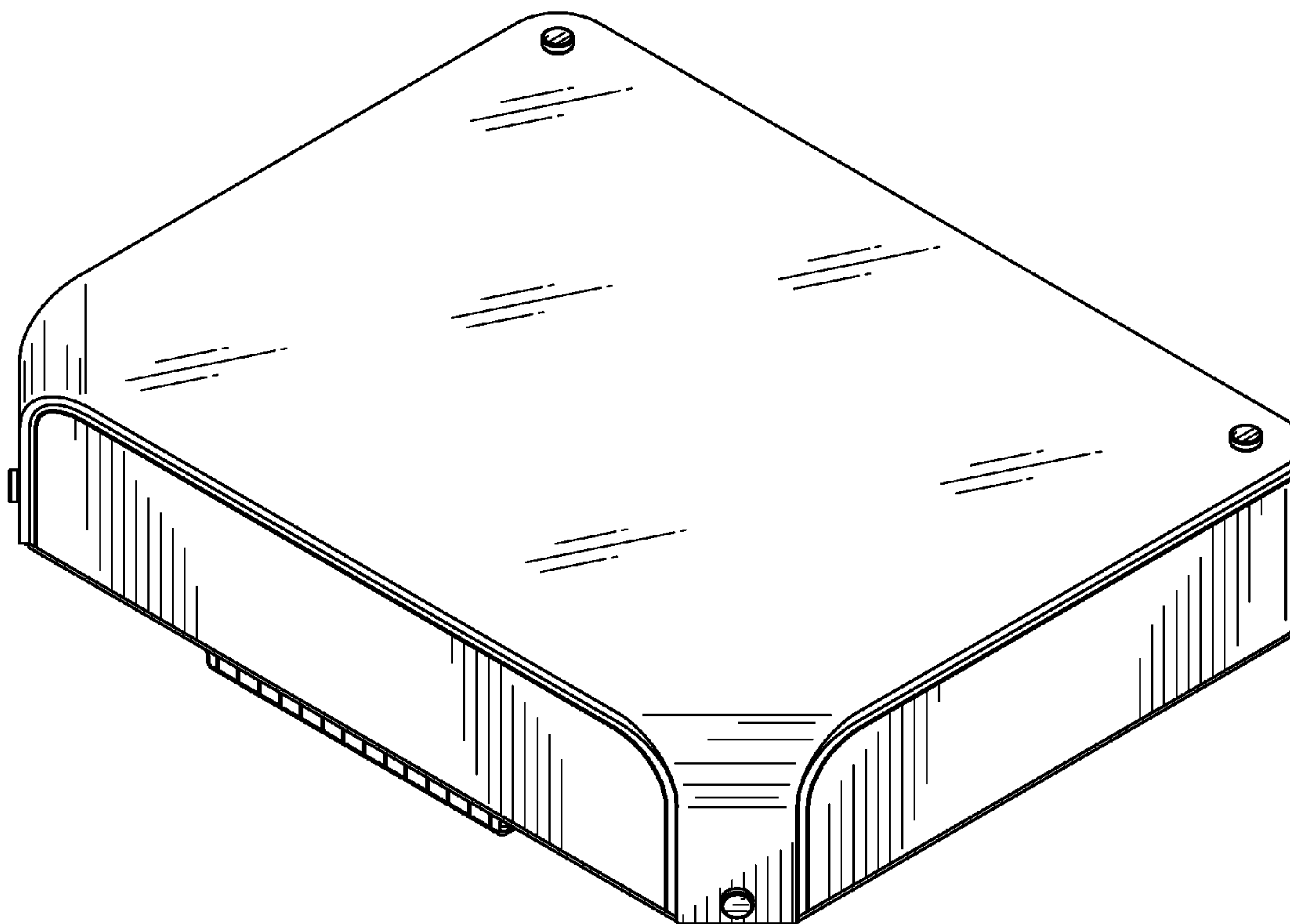
(57) **CLAIM**

The ornamental design for set top box device, as shown and described.

**DESCRIPTION**

FIG. 1 is a front perspective of the set top box device.  
FIG. 2 is a rear perspective of the set top box device.  
FIG. 3 is a bottom perspective view of the set top box device.  
FIG. 4 is a top plan view of the set top box device.  
FIG. 5 is a bottom plan view of the set top box device.  
FIG. 6 is a front elevation view of the set top box device.  
FIG. 7 is a rear elevation view of the set top box device; and,  
FIG. 8 is a side elevation view of the set top box device.

**1 Claim, 6 Drawing Sheets**



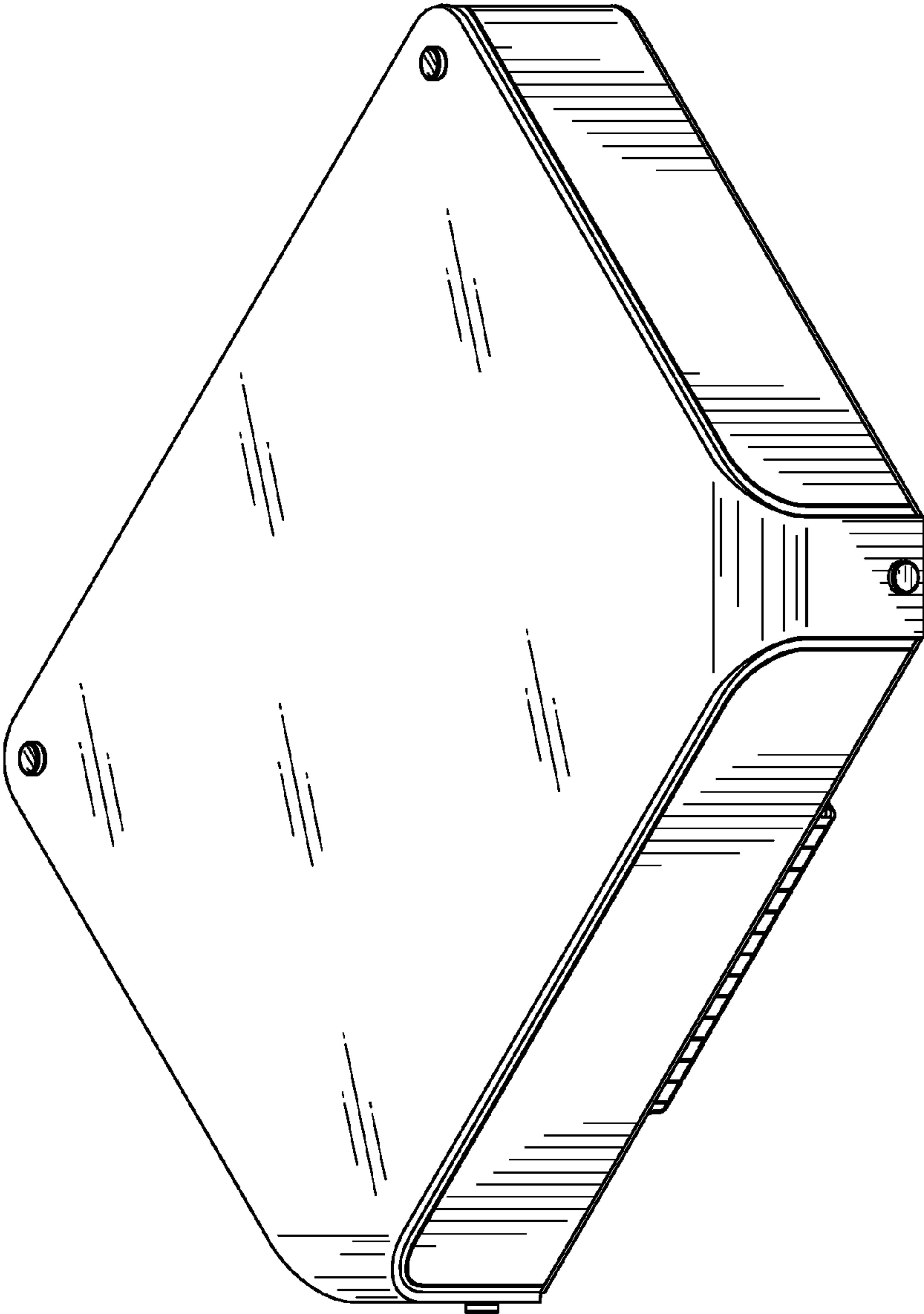


FIG. 1

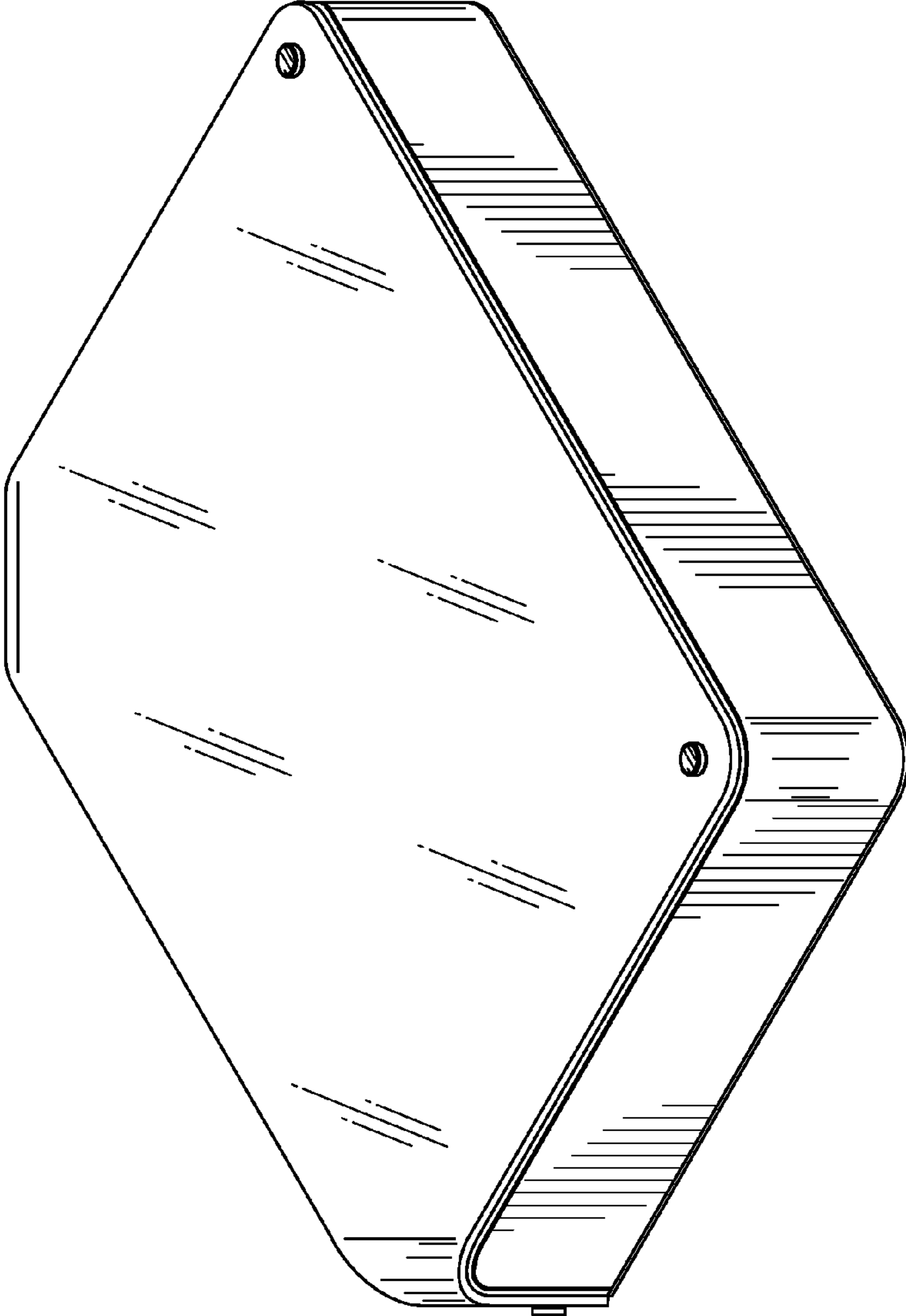


FIG. 2

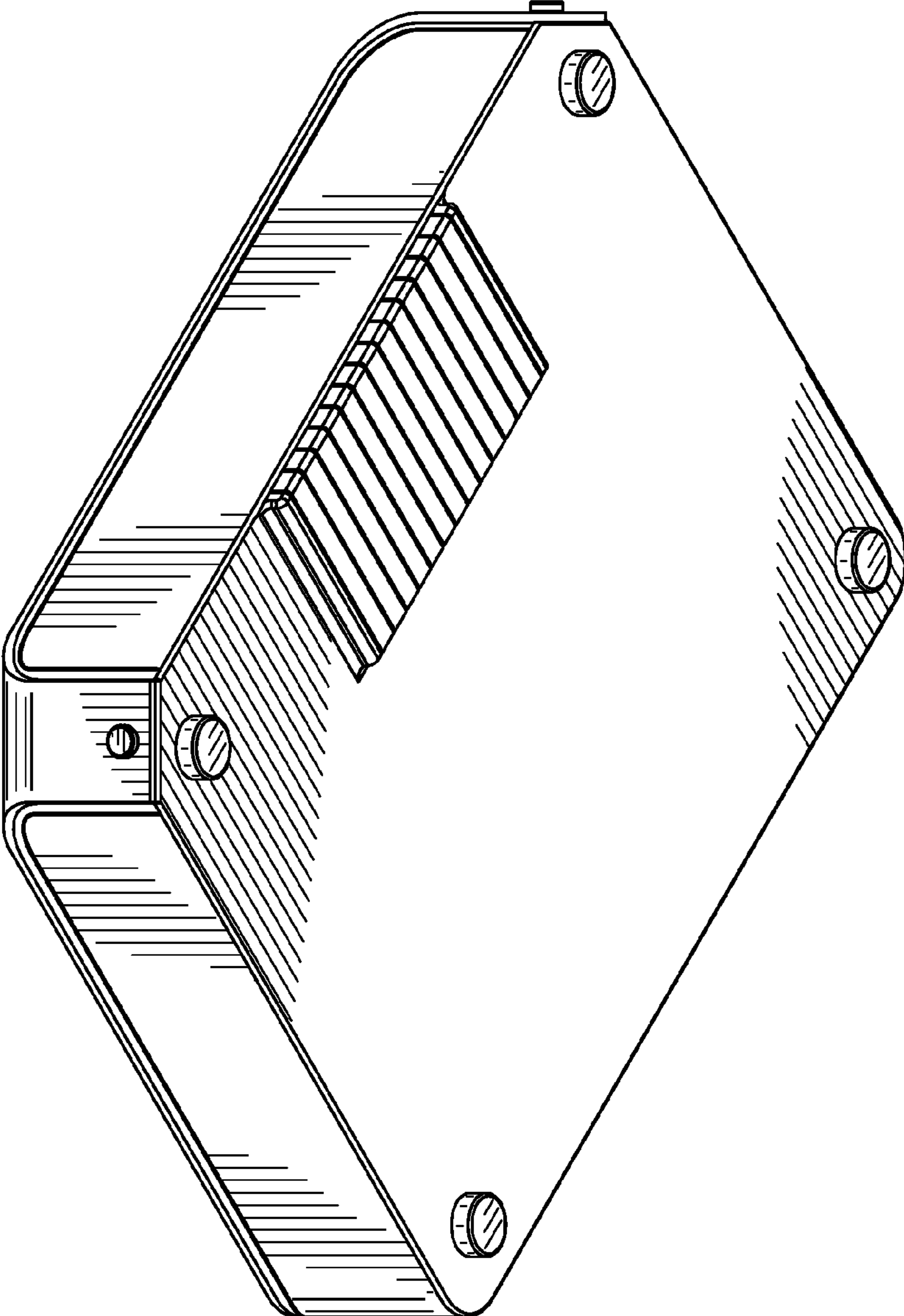


FIG. 3

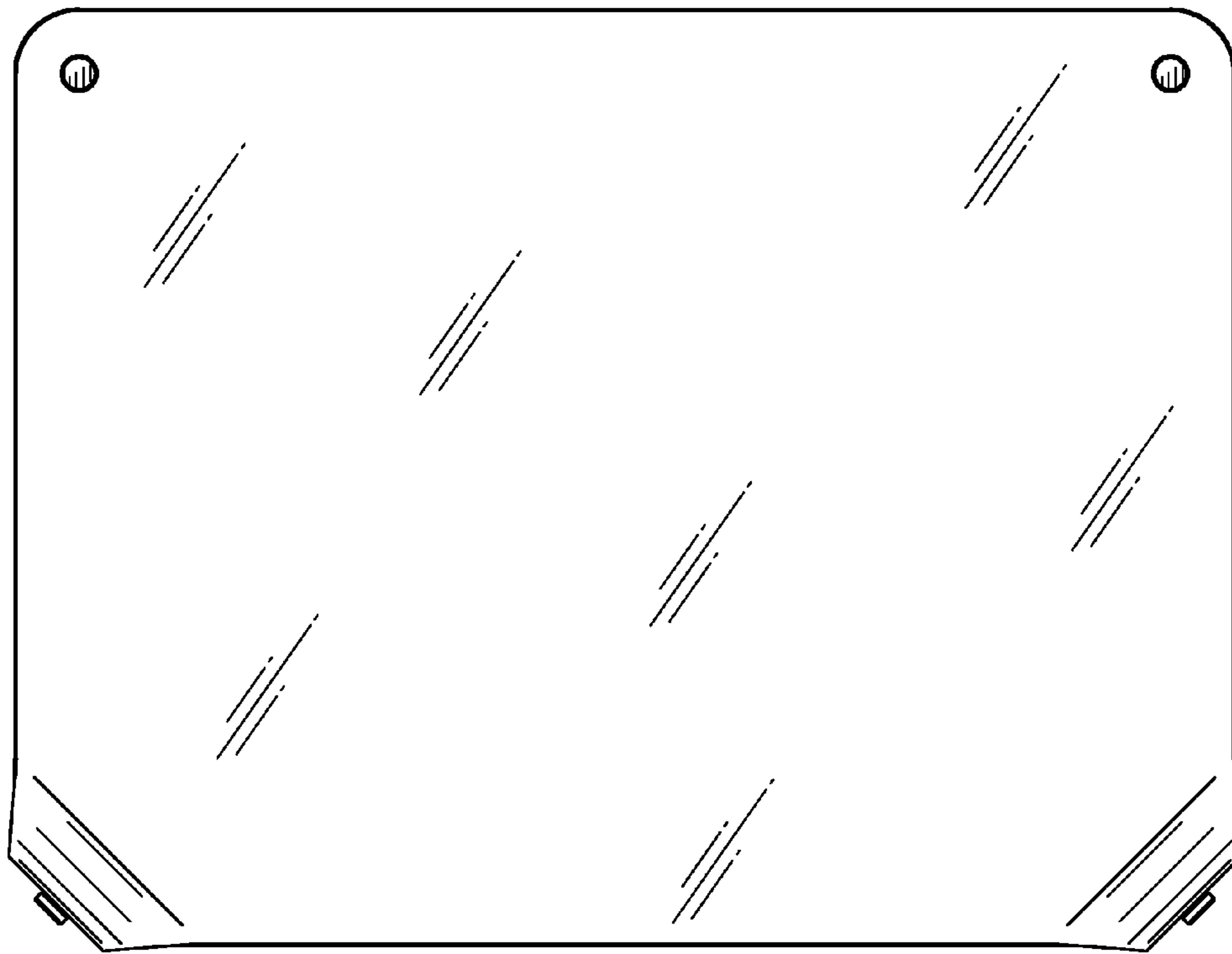


FIG. 4

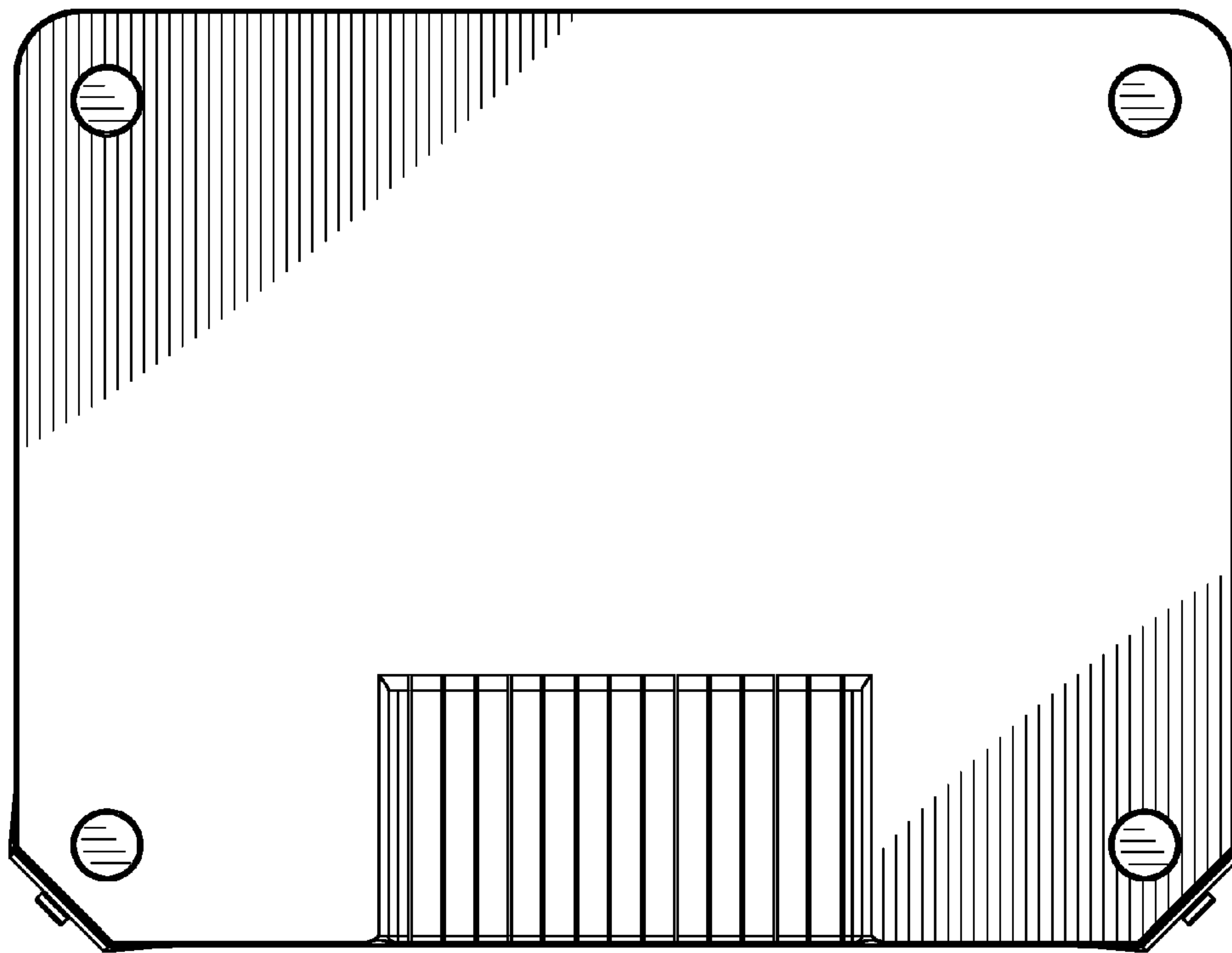


FIG. 5

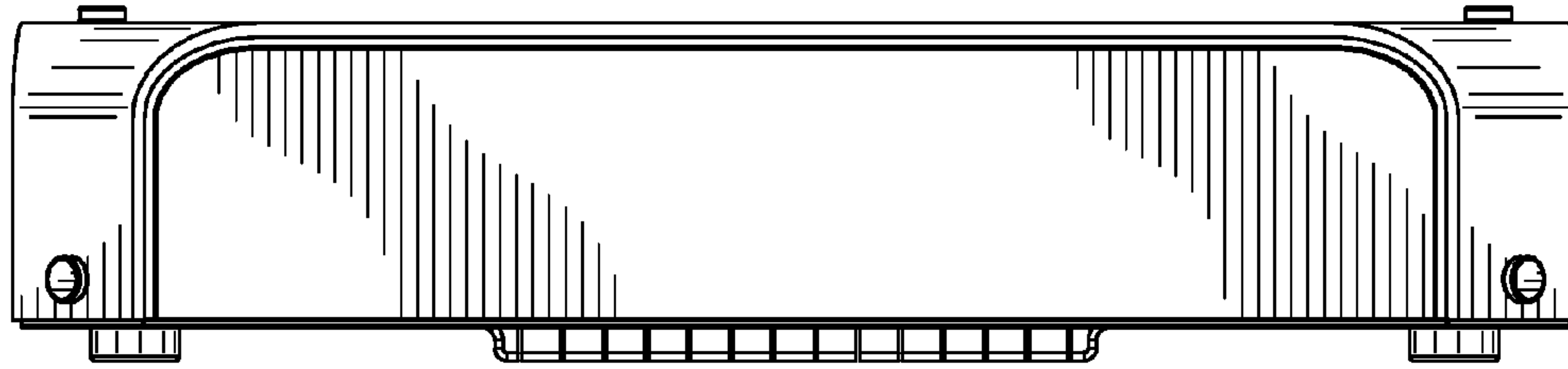


FIG. 6

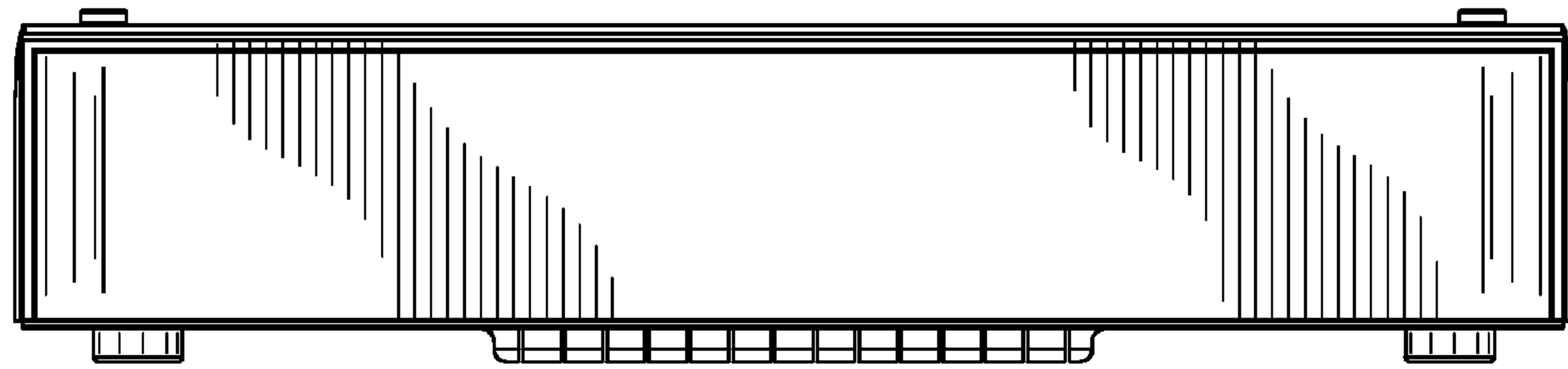


FIG. 7

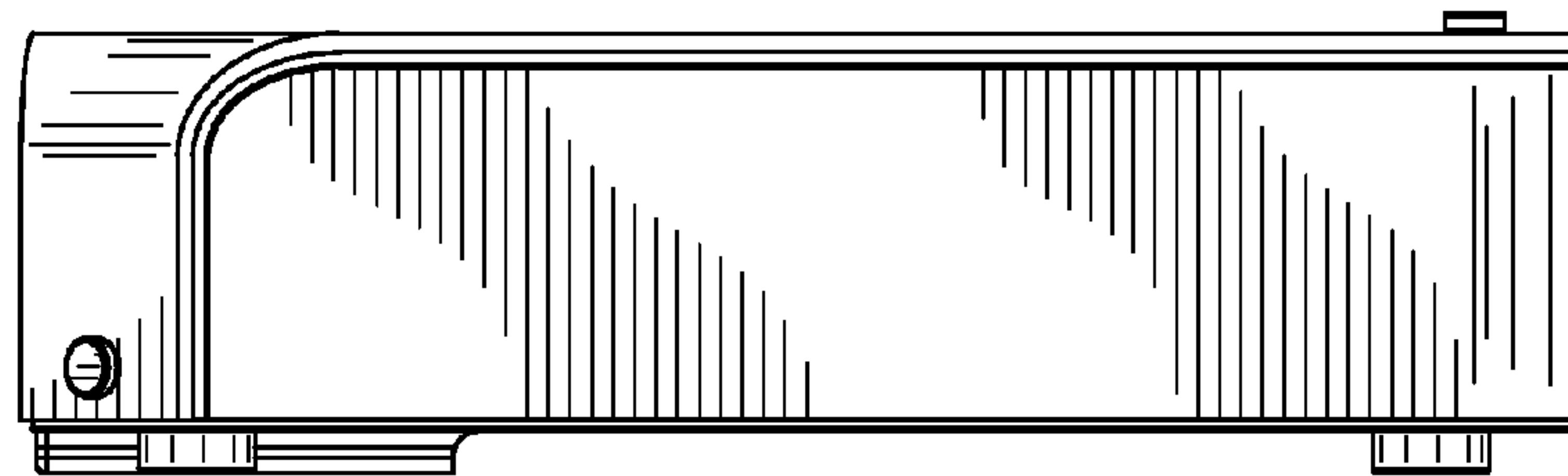


FIG. 8