

US00D654444S

(12) **United States Design Patent**
Lin et al.

(10) **Patent No.:** **US D654,444 S**
(45) **Date of Patent:** **** *Feb. 21, 2012**

(54) **LED MODULE**

(75) Inventors: **Chih-Yung Lin**, Hsinchu (TW);
Min-Tsun Hsieh, Hsinchu (TW);
Ching-Lien Yeh, Hsinchu (TW);
Lung-Hsin Chen, Hsinchu (TW);
Wen-Liang Tseng, Hsinchu (TW)

(73) Assignee: **Advanced Optoelectronic Technology, Inc.**, Hsinchu Hsien (TW)

(*) Notice: This patent is subject to a terminal disclaimer.

(**) Term: **14 Years**

(21) Appl. No.: **29/380,581**

(22) Filed: **Dec. 8, 2010**

(30) **Foreign Application Priority Data**

Jun. 15, 2010 (CN) 2010 0 30204657

(51) **LOC (9) Cl.** **13-03**

(52) **U.S. Cl.** **D13/180**

(58) **Field of Classification Search** D13/180;
257/79, 80, 81, 88, 89, 95, 98, 99, 100, E33.058;
313/483, 498, 500; 362/555, 800

See application file for complete search history.

(56) **References Cited**

U.S. PATENT DOCUMENTS

D593,514	S	*	6/2009	Plonski et al.	D13/180
D596,590	S	*	7/2009	Plonski et al.	D13/180
D599,749	S	*	9/2009	Bando	D13/180
D615,052	S	*	5/2010	Imai et al.	D13/180
D622,683	S	*	8/2010	Yamada	D13/180
D628,169	S	*	11/2010	Yamada	D13/180
7,872,418	B2	*	1/2011	Hata et al.	313/512

FOREIGN PATENT DOCUMENTS

JP D1340470 S 9/2008

* cited by examiner

Primary Examiner — Selina Sikder

(74) *Attorney, Agent, or Firm* — Altis Law Group, Inc.

(57) **CLAIM**

The ornamental design for an LED module, as shown.

DESCRIPTION

FIG. 1 is a perspective view of an LED module showing our new design;

FIG. 2 is a front elevational view thereof;

FIG. 3 is a rear elevational view thereof;

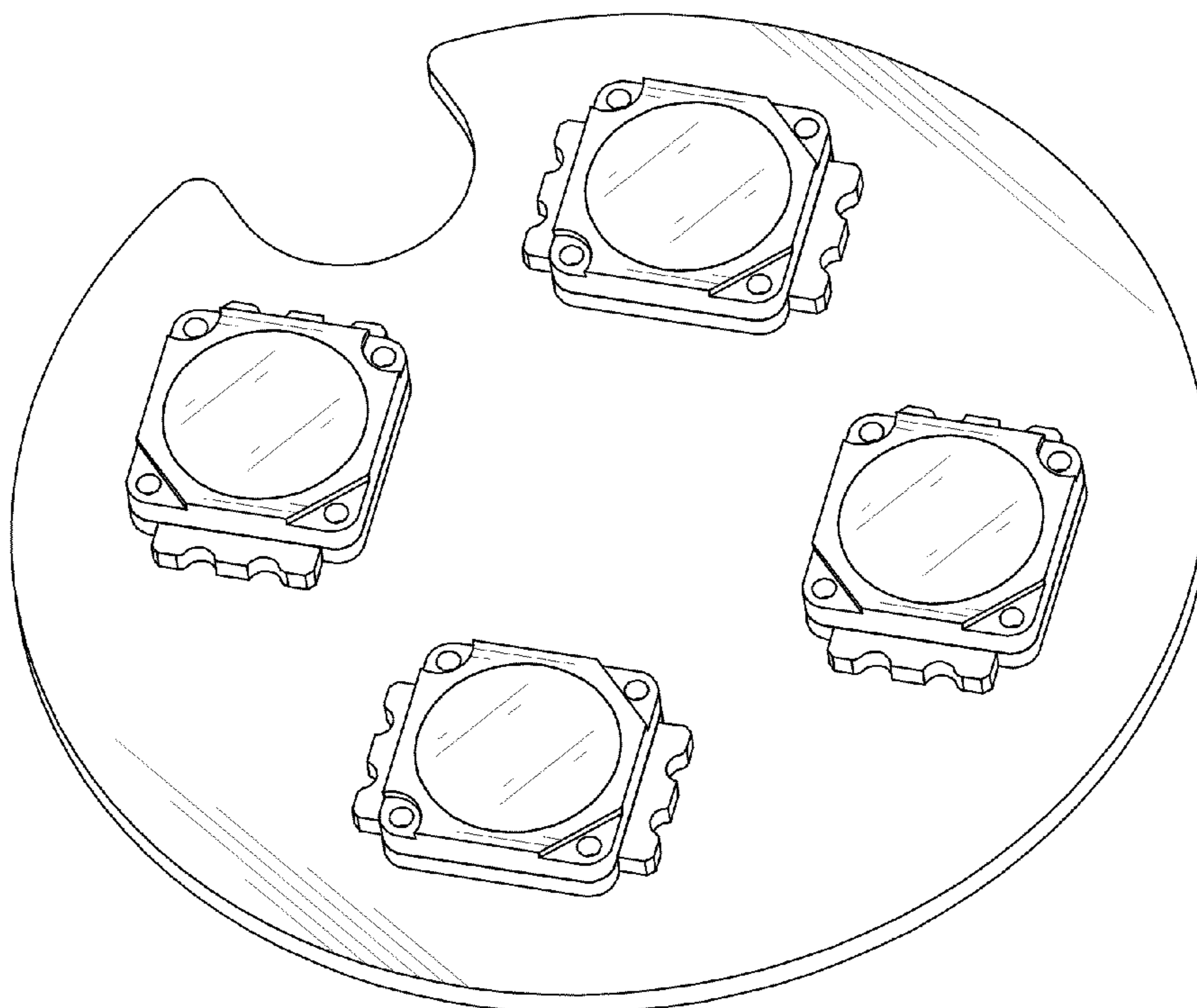
FIG. 4 is a left-side, elevational view thereof;

FIG. 5 is a right-side, elevational view thereof;

FIG. 6 is a top plan view thereof; and,

FIG. 7 is a bottom plan view thereof.

1 Claim, 7 Drawing Sheets



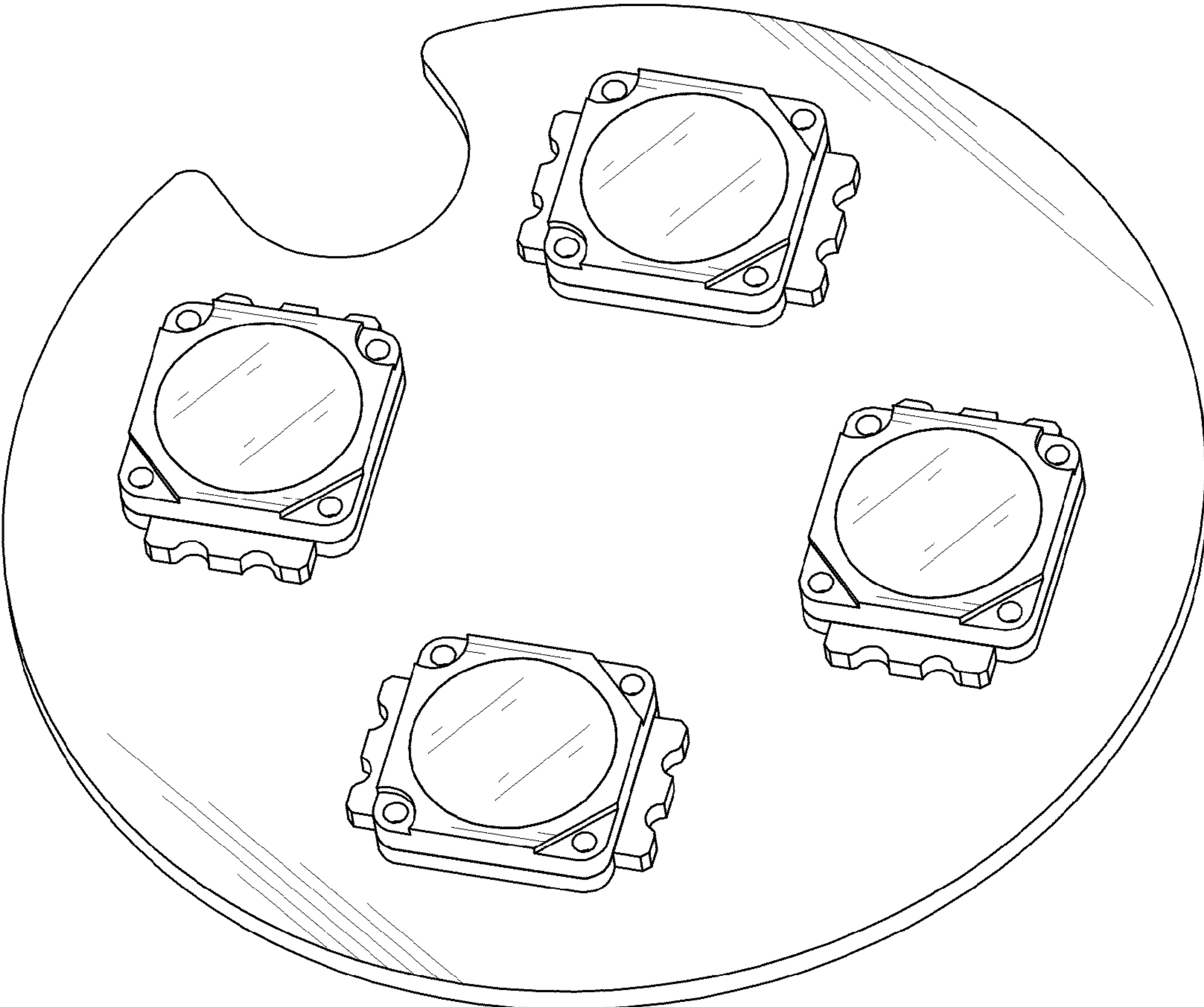


FIG. 1

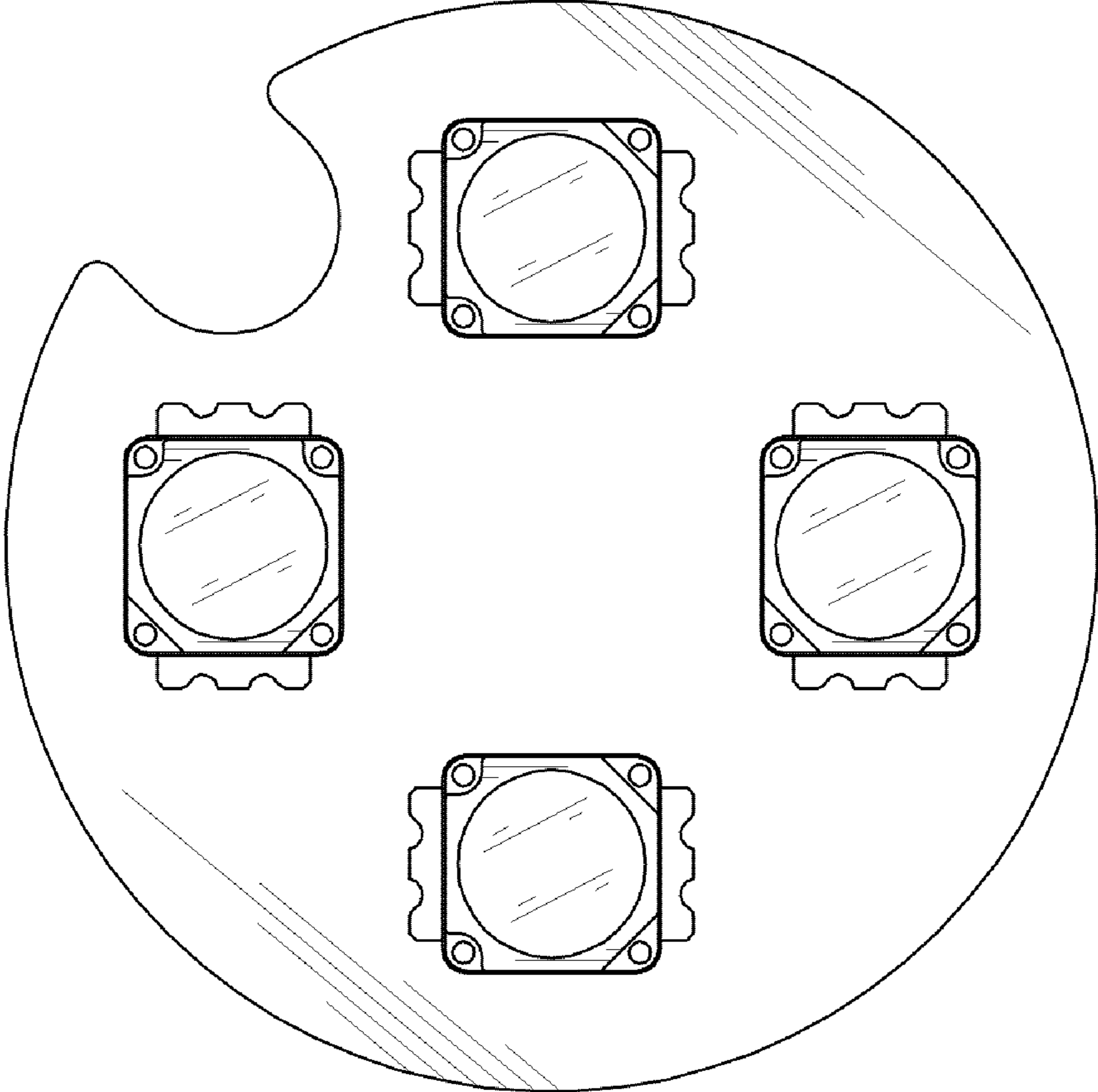


FIG. 2

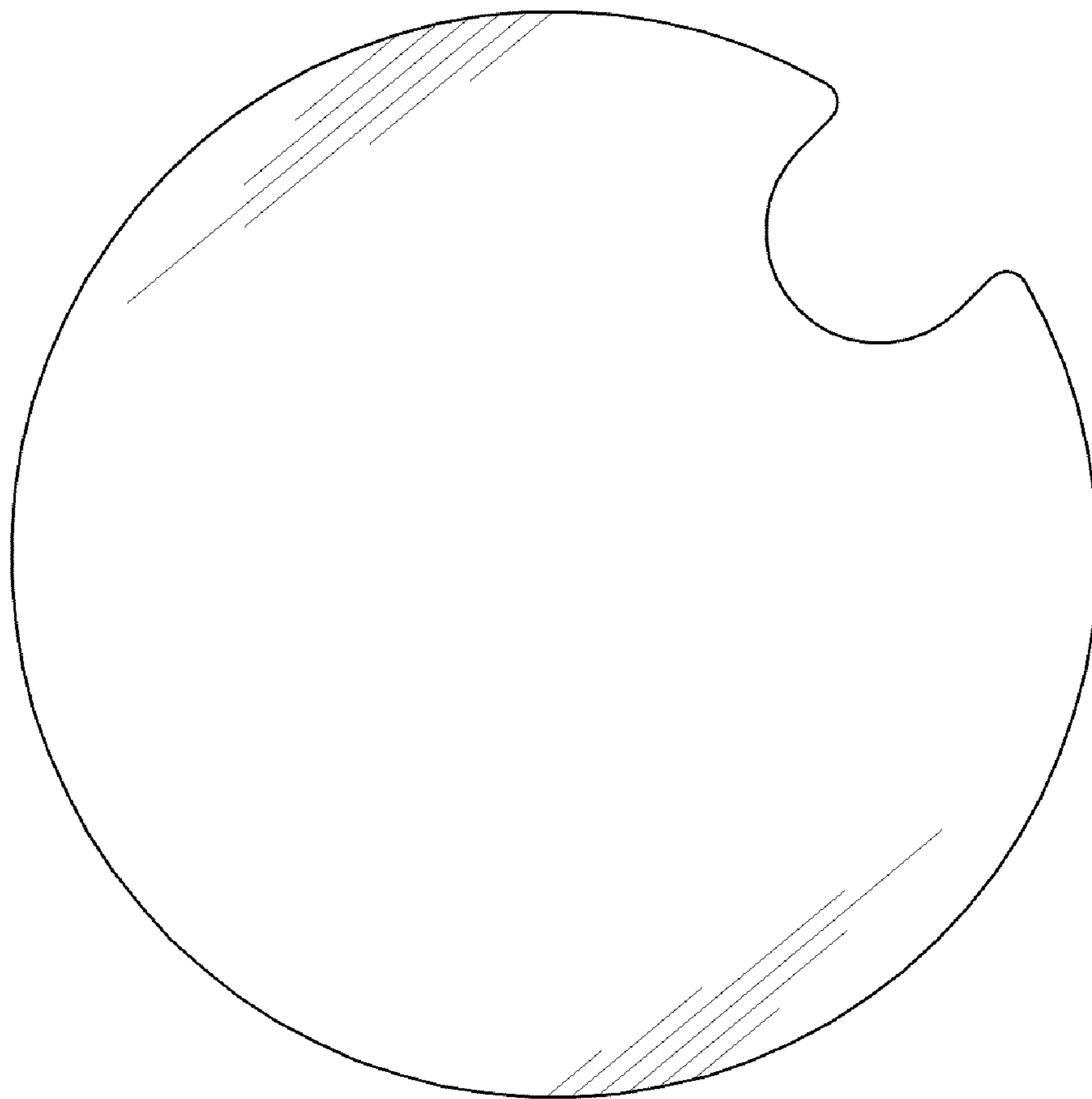


FIG. 3

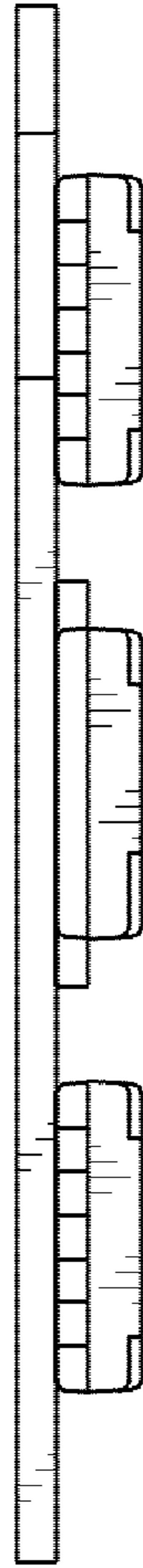


FIG. 4

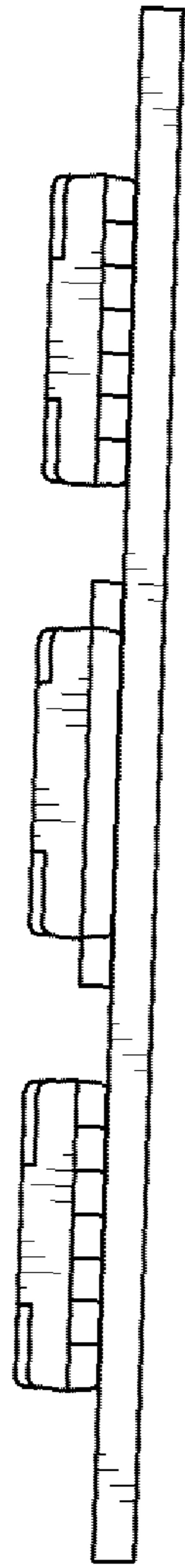


FIG. 5

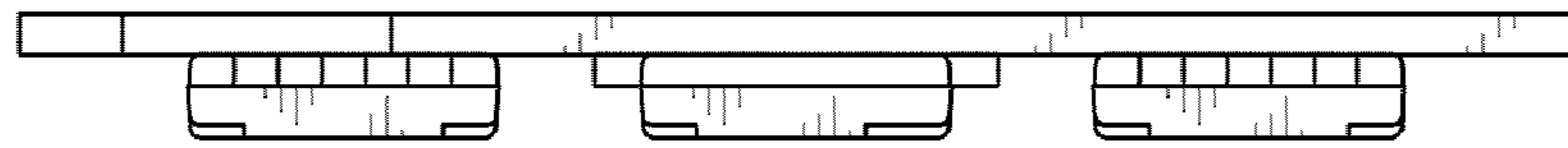


FIG. 6



FIG. 7