



US00D654442S

(12) **United States Design Patent**
Won et al.

(10) **Patent No.:** **US D654,442 S**

(45) **Date of Patent:** **** Feb. 21, 2012**

(54) **EXTERIOR SENSOR OF ILLUMINATION INTENSITY FOR A DISPLAY UNIT OF OUTDOOR ADVERTISEMENT**

| | | | | |
|-------------------|---------|----------------|-------|---------|
| 5,128,654 A * | 7/1992 | Griffin et al. | | 250/353 |
| 6,215,398 B1 * | 4/2001 | Platner et al. | | 250/342 |
| D493,147 S * | 7/2004 | Bender et al. | | D13/165 |
| D511,150 S * | 11/2005 | Nurmi et al. | | D13/184 |
| 2010/0308224 A1 * | 12/2010 | Chen et al. | | 250/353 |

* cited by examiner

(75) Inventors: **Tae-Yeon Won**, Seoul (KR); **Su-An Choi**, Seoul (KR)

Primary Examiner — Adir Aronovich

(73) Assignee: **Samsung Electronics Co., Ltd.**, Suwon, Kyunggi-Do (KR)

(74) *Attorney, Agent, or Firm* — Flynn, Thiel, Boutell & Tanis, P.C.

(**) Term: **14 Years**

(57) **CLAIM**

The ornamental design for an exterior sensor of illumination intensity for a display unit of outdoor advertisement, as shown and described.

(21) Appl. No.: **29/372,090**

DESCRIPTION

(22) Filed: **Oct. 14, 2010**

(51) **LOC (9) Cl.** **13-03**

(52) **U.S. Cl.** **D13/165; D10/46**

(58) **Field of Classification Search** D10/46, D10/106.1; D13/165, 184; 250/342, 353
See application file for complete search history.

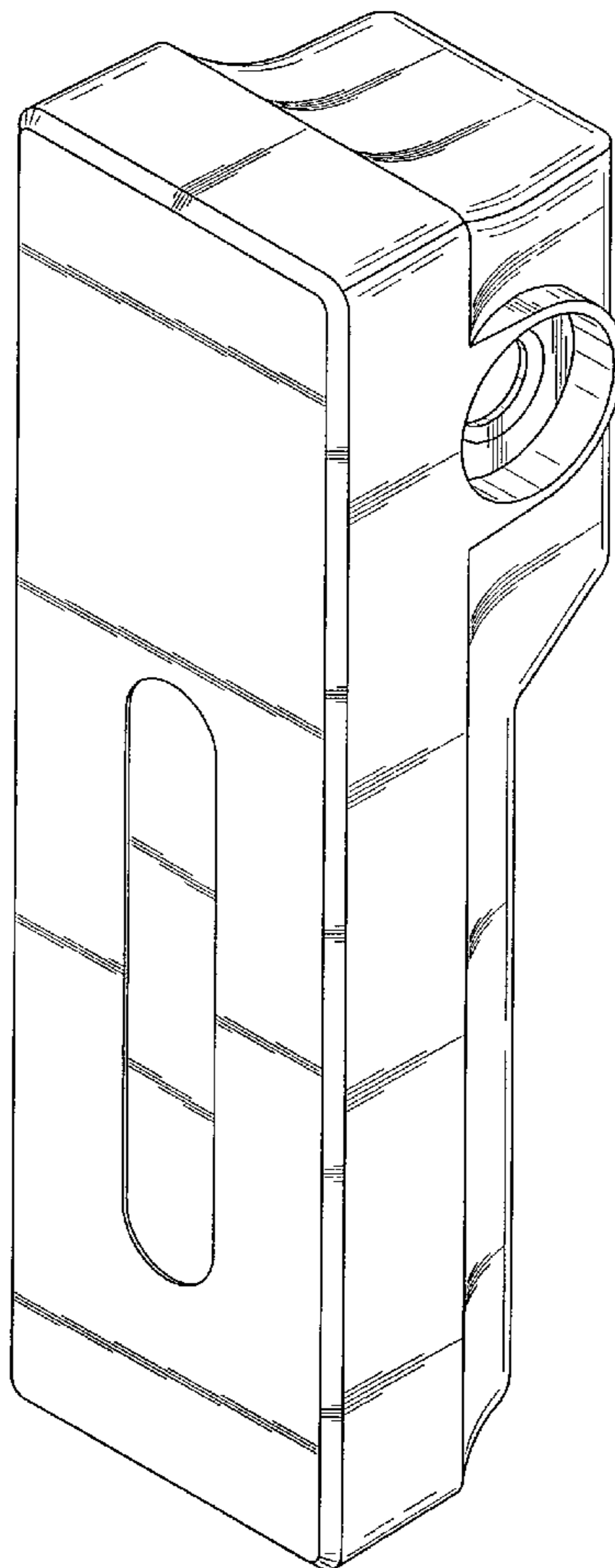
FIG. 1 is a top front perspective view of an exterior sensor of illumination intensity for a display unit of outdoor advertisement showing our new design;
FIG. 2 is a front elevational view thereof;
FIG. 3 is a rear elevational view thereof;
FIG. 4 is a left side elevational view thereof;
FIG. 5 is a right side elevational view thereof;
FIG. 6 is a top plan view thereof; and,
FIG. 7 is a bottom plan view thereof.

(56) **References Cited**

U.S. PATENT DOCUMENTS

| | | | | |
|---------------|--------|-----------------|-------|---------|
| 4,604,524 A * | 8/1986 | Kotlicki et al. | | 250/353 |
| D309,891 S * | 8/1990 | Cheng | | D13/165 |

1 Claim, 4 Drawing Sheets



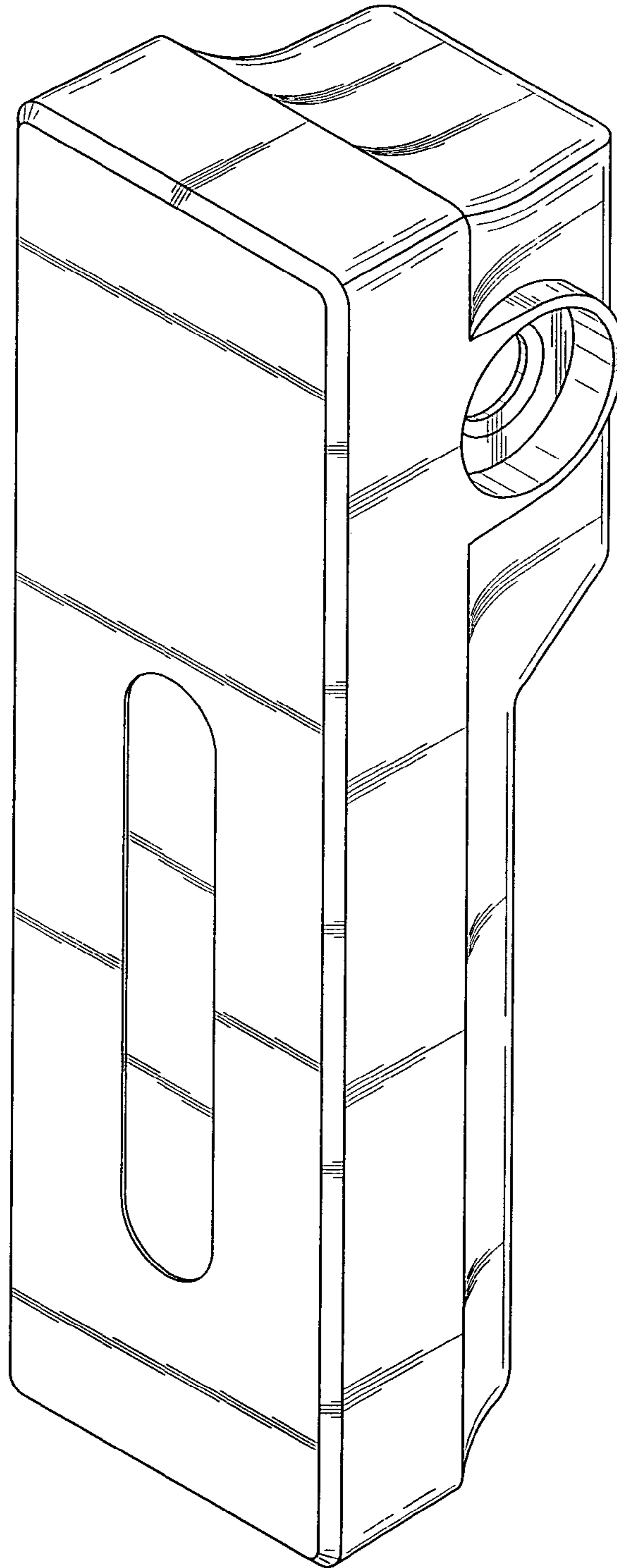


FIG. 1

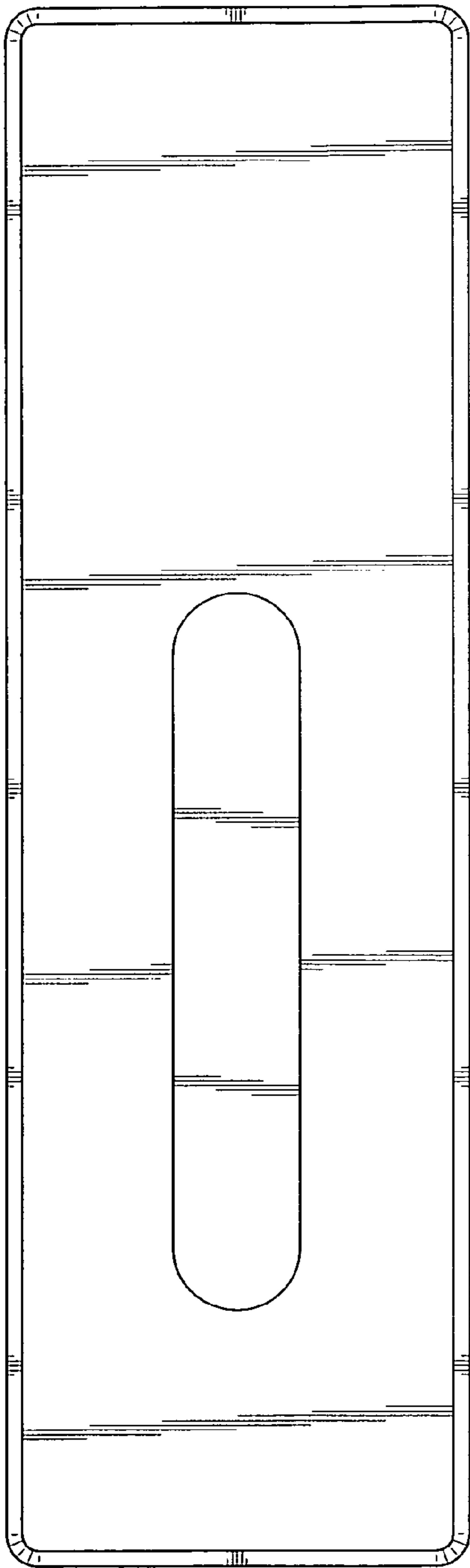


FIG. 2

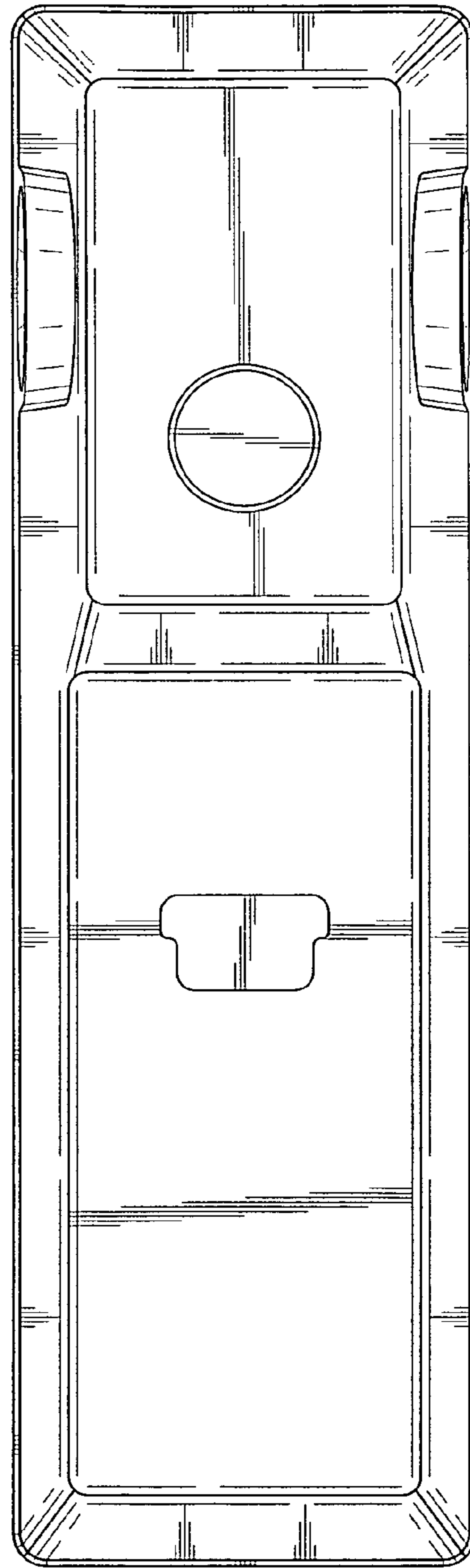


FIG. 3

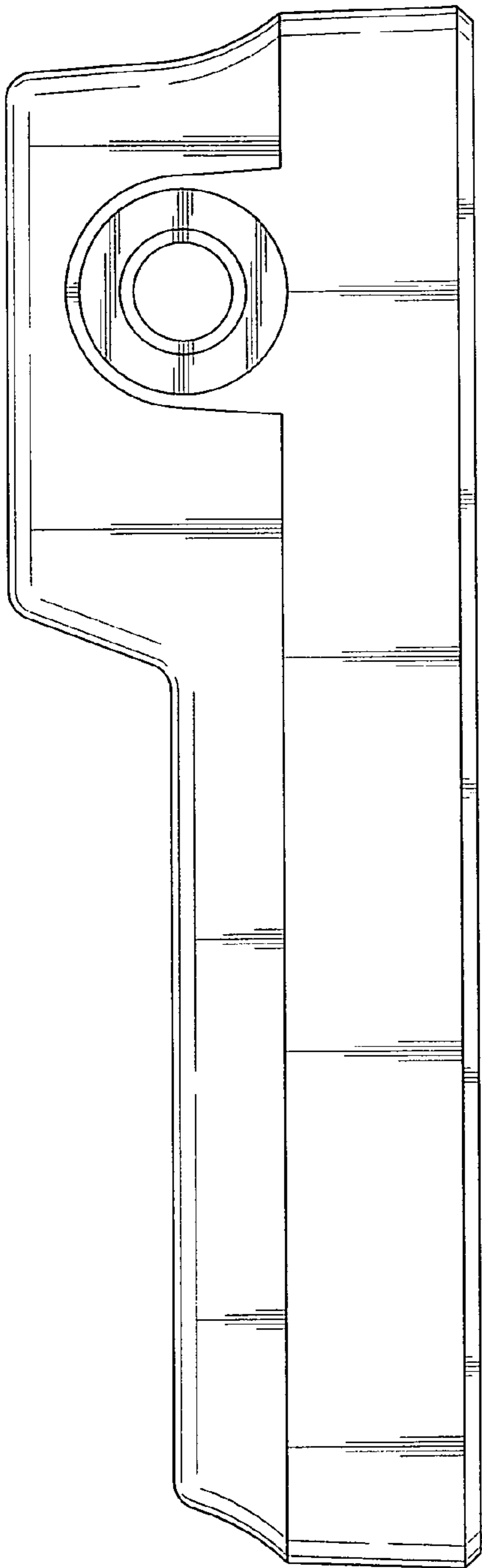


FIG. 4

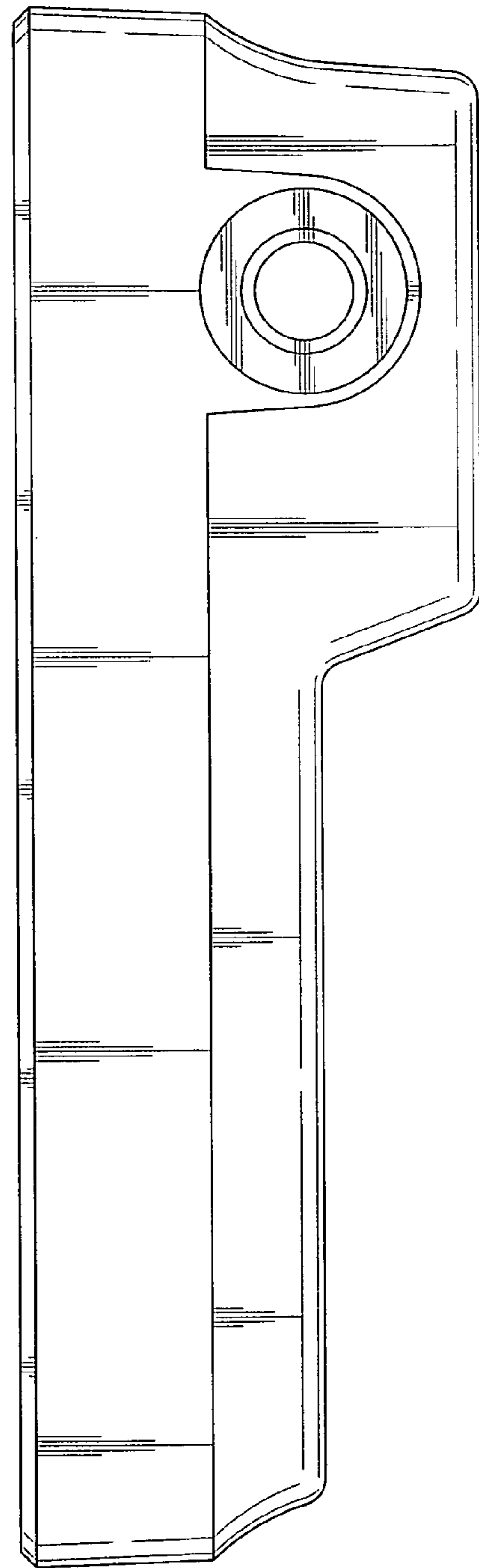


FIG. 5

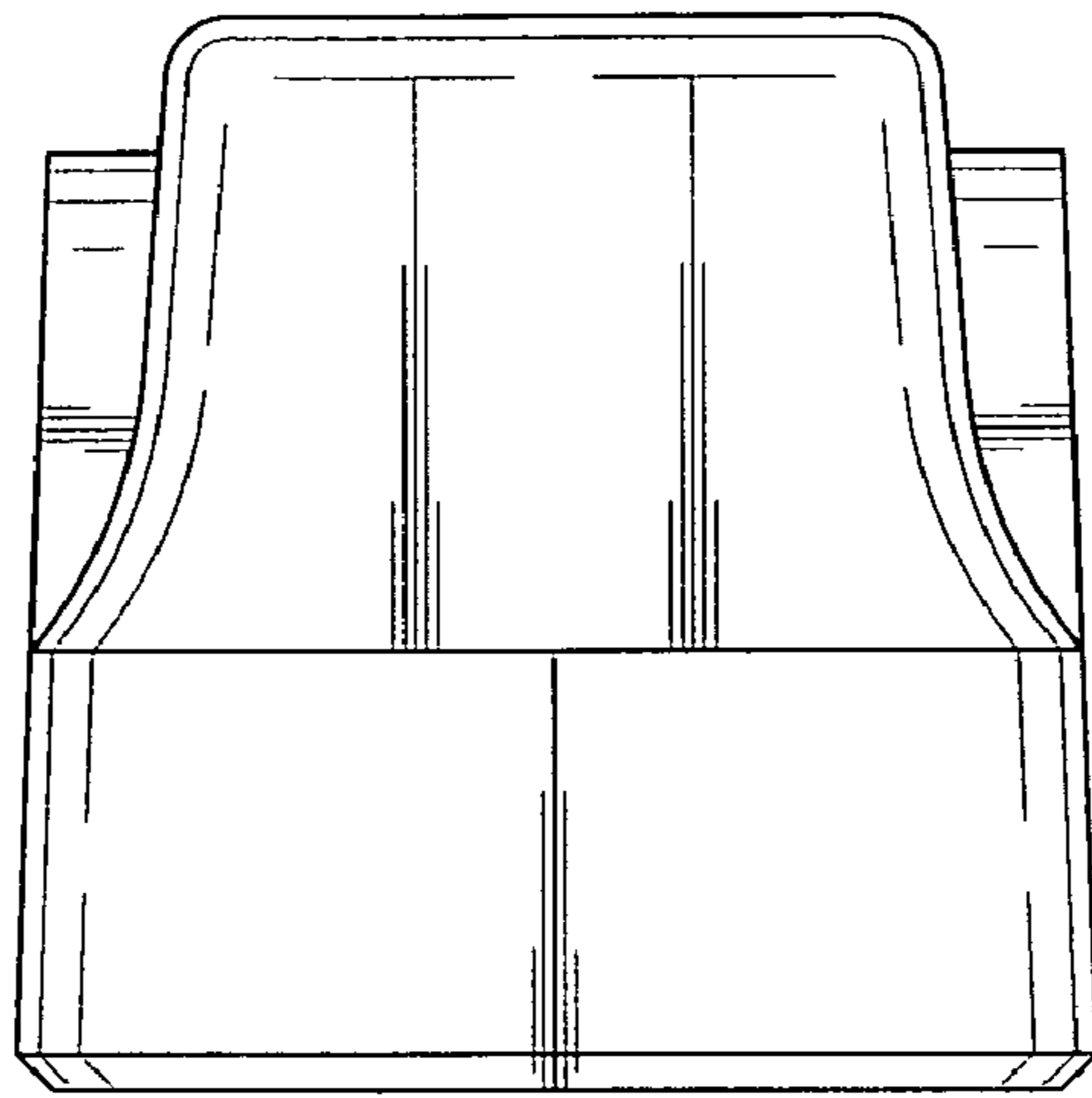


FIG. 6

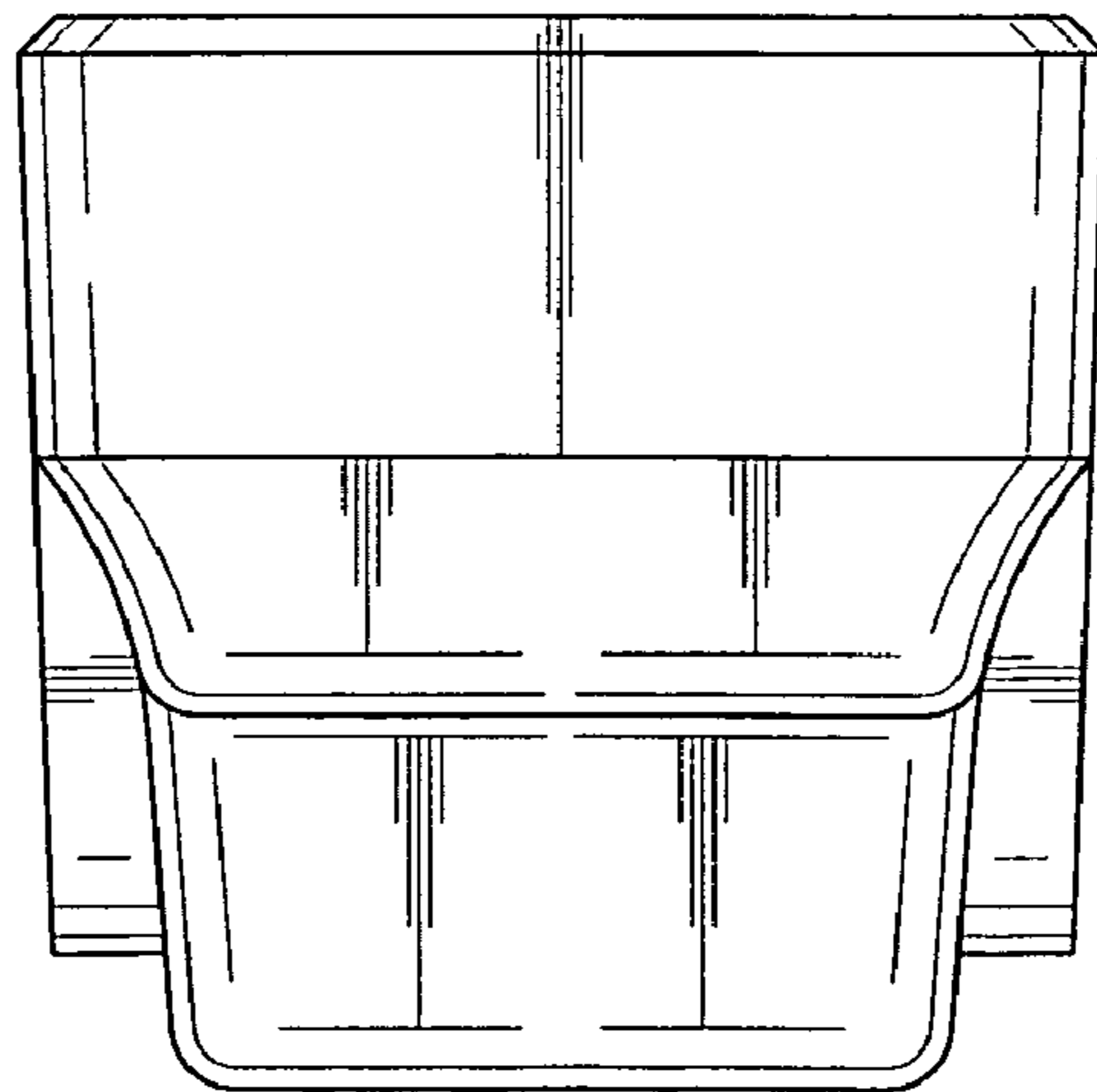


FIG. 7