



US00D654441S

(12) **United States Design Patent**
Mattlar et al.

(10) **Patent No.:** **US D654,441 S**

(45) **Date of Patent:** **** Feb. 21, 2012**

(54) **SWITCH**

(75) Inventors: **Harri Mattlar**, Iskmo (FI); **Juho Salo**,
Vaasa (FI); **Rainer Kolmonen**, Laihia
(FI)

(73) Assignee: **ABB Oy**, Helsinki (FI)

(**) Term: **14 Years**

(21) Appl. No.: **29/396,363**

(22) Filed: **Jun. 29, 2011**

Related U.S. Application Data

(62) Division of application No. 29/353,794, filed on Jan.
14, 2010, now Pat. No. Des. 642,991.

(30) **Foreign Application Priority Data**

Oct. 8, 2009 (EM) 001169825

(51) **LOC (9) Cl.** **13-03**

(52) **U.S. Cl.** **D13/158**

(58) **Field of Classification Search** D13/110,
D13/123, 147, 151, 158-177, 184; 200/5 R,
200/295, 308, 310, 313, 314, 329, 340, 1 R,
200/6 R, 5 A, 296, 302.3, 315, 330, 334,
200/339, 341, 520, 525, 553; 335/131-133,
335/196, 202, 262, 251; 439/491, 535

See application file for complete search history.

(56) **References Cited**

U.S. PATENT DOCUMENTS

D211,952 S	8/1968	Etttinger	
D296,433 S	6/1988	Mizuno et al.	
5,493,194 A	2/1996	Damiano et al.	
D400,510 S	11/1998	Brunelle	
D480,364 S	10/2003	Bluemel	
D519,086 S	4/2006	Bluemel	
D593,040 S	5/2009	Frassinetti et al.	
7,863,530 B2	1/2011	Mattlar et al.	
D640,988 S *	7/2011	Detemple et al.	D13/159
D640,991 S *	7/2011	Detemple et al.	D13/159
D642,991 S *	8/2011	Mattlar et al.	D13/158

* cited by examiner

Primary Examiner — Thomas Johannes

(74) *Attorney, Agent, or Firm* — Buchanan Ingersoll &
Rooney PC

(57) **CLAIM**

The ornamental design for a switch, as shown and described.

DESCRIPTION

FIG. 1 is a front, top perspective view of a switch showing our
new design.

FIG. 2 is a front elevational view thereof.

FIG. 3 is a rear elevational view thereof.

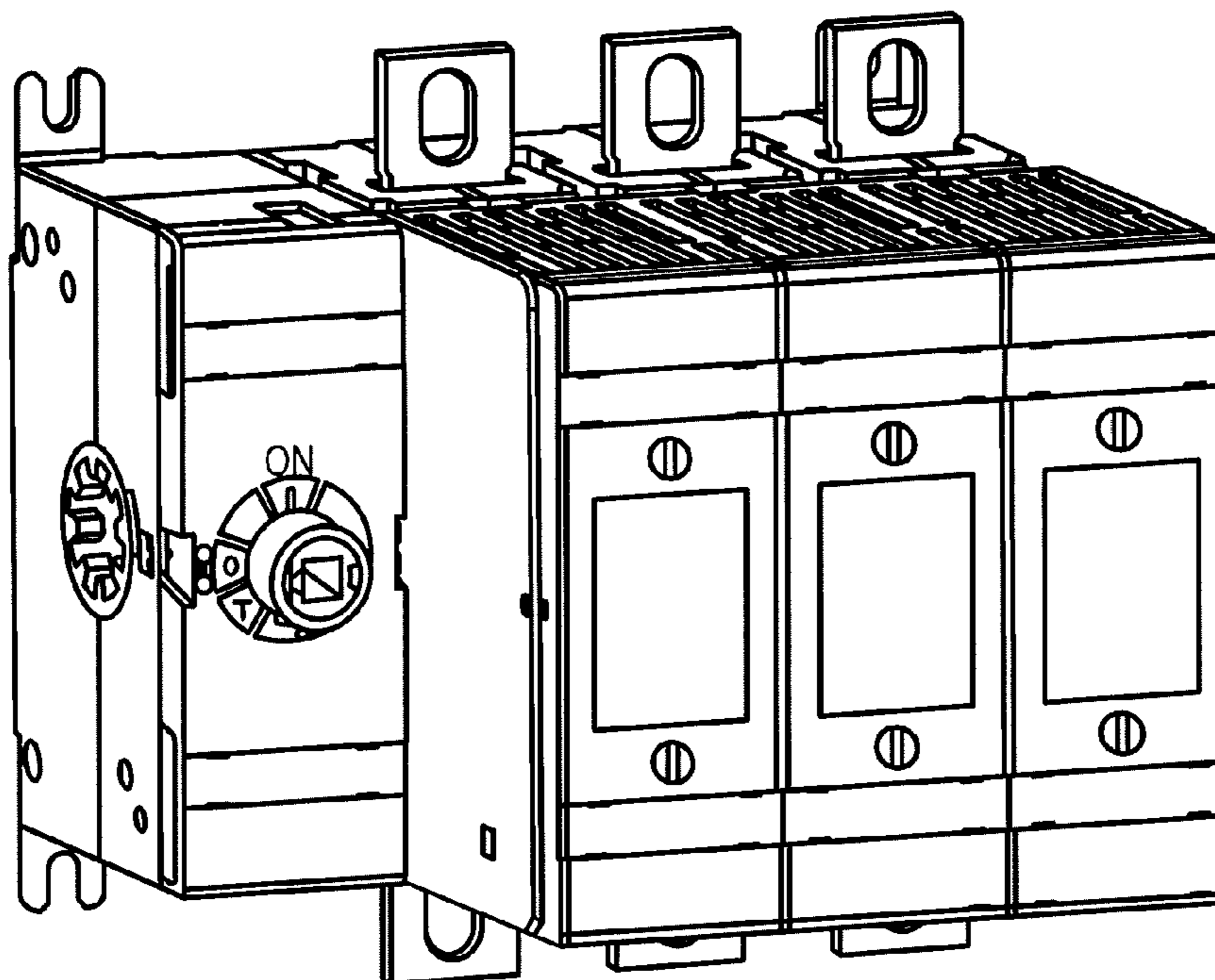
FIG. 4 is a left side elevational view thereof.

FIG. 5 is a right side elevational view thereof; and,

FIG. 6 is a top plan view thereof, the bottom view being a
mirror image thereof.

The broken line portion of the drawing figures is included to
show unclaimed subject matter only and forms no part of the
claimed design.

1 Claim, 6 Drawing Sheets



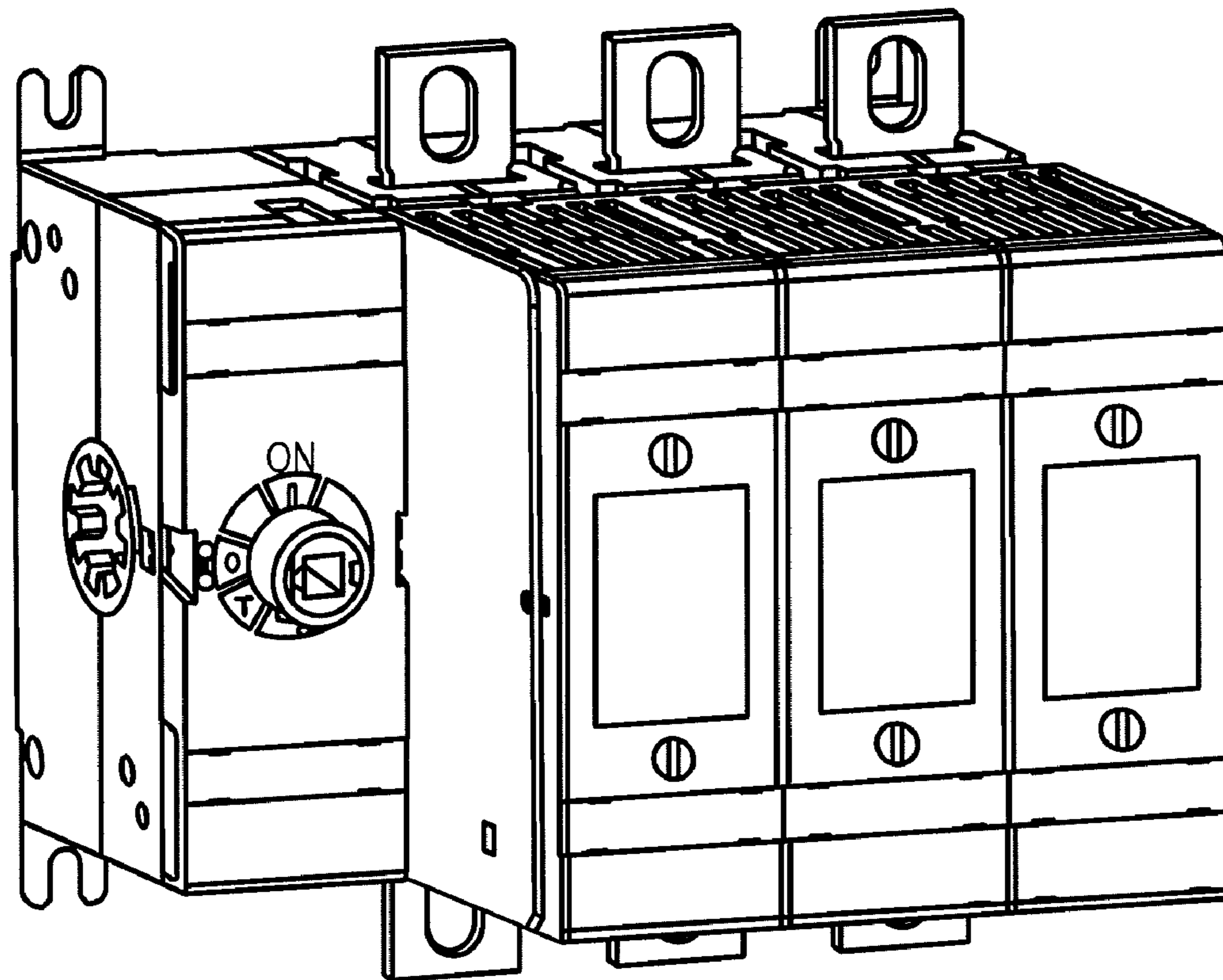


FIG. 1

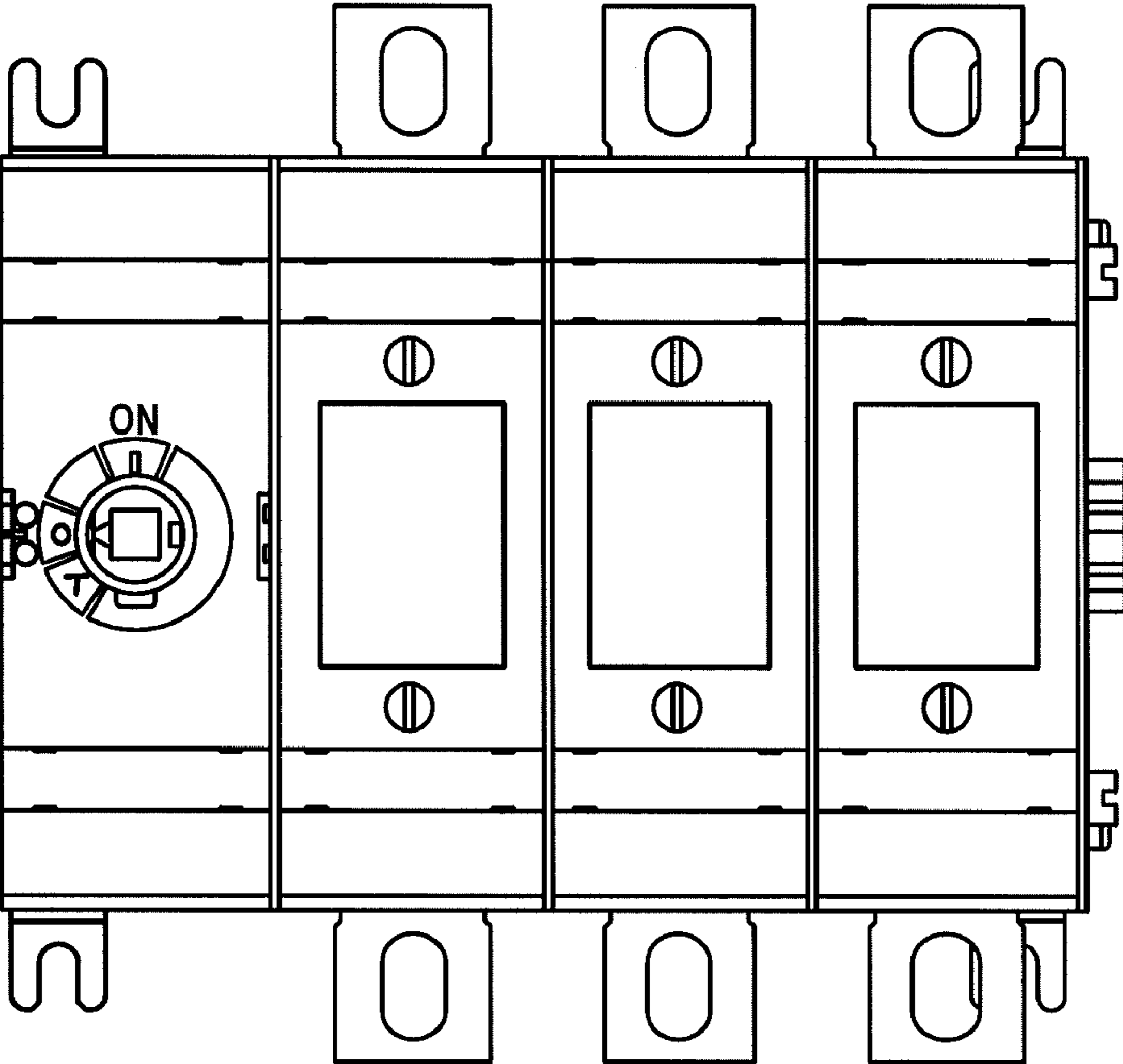


FIG. 2

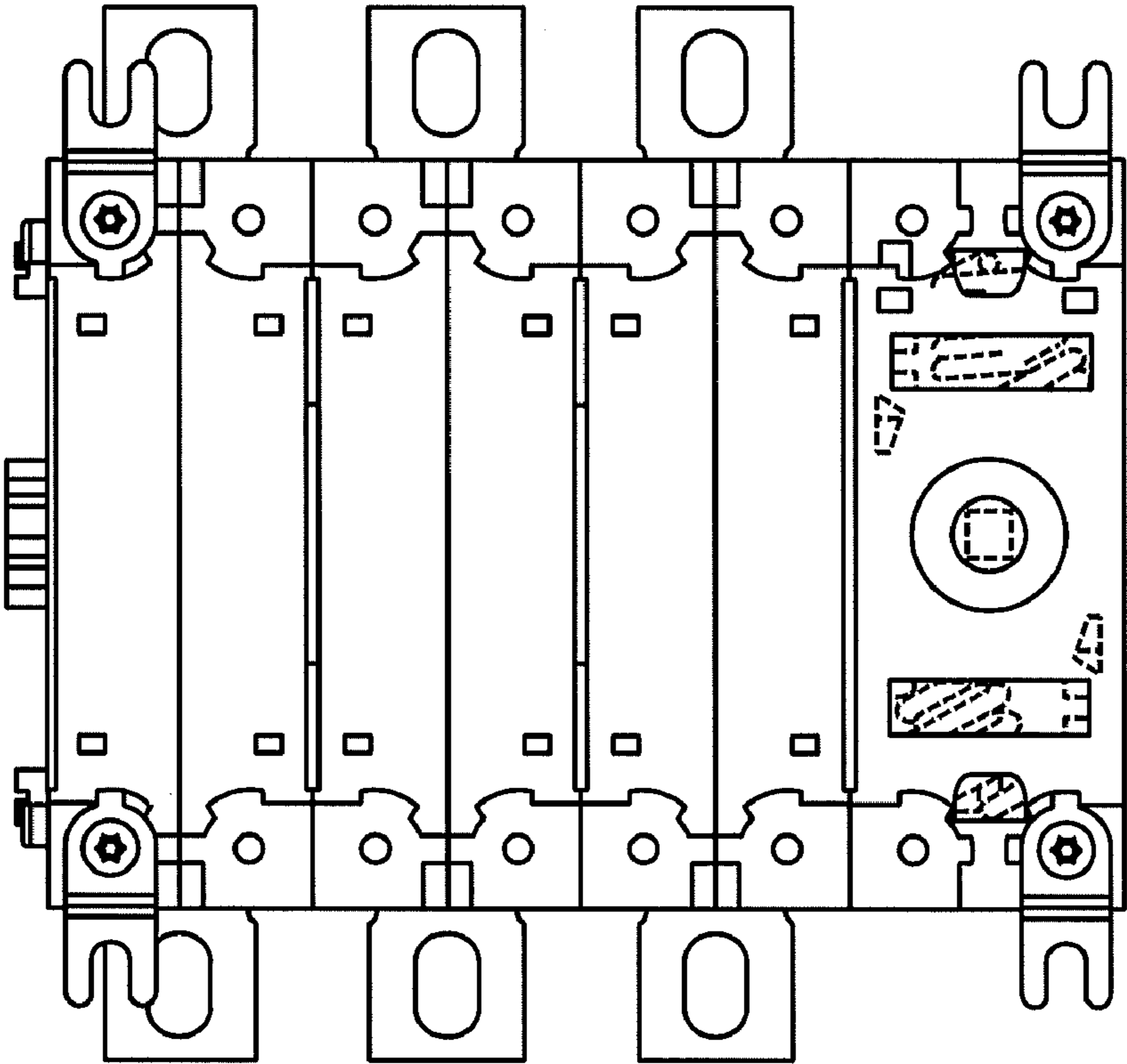


FIG. 3

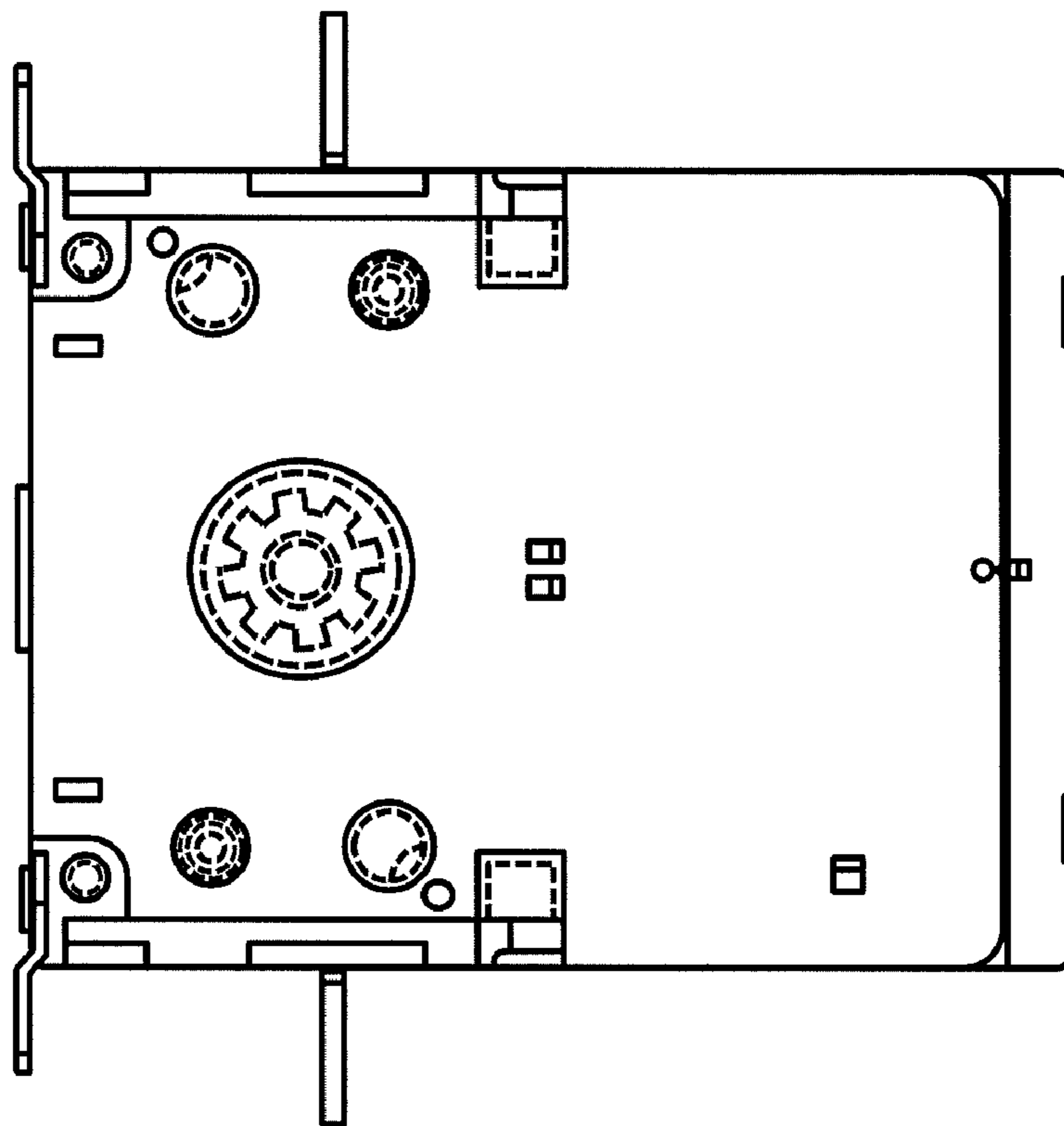


FIG. 4

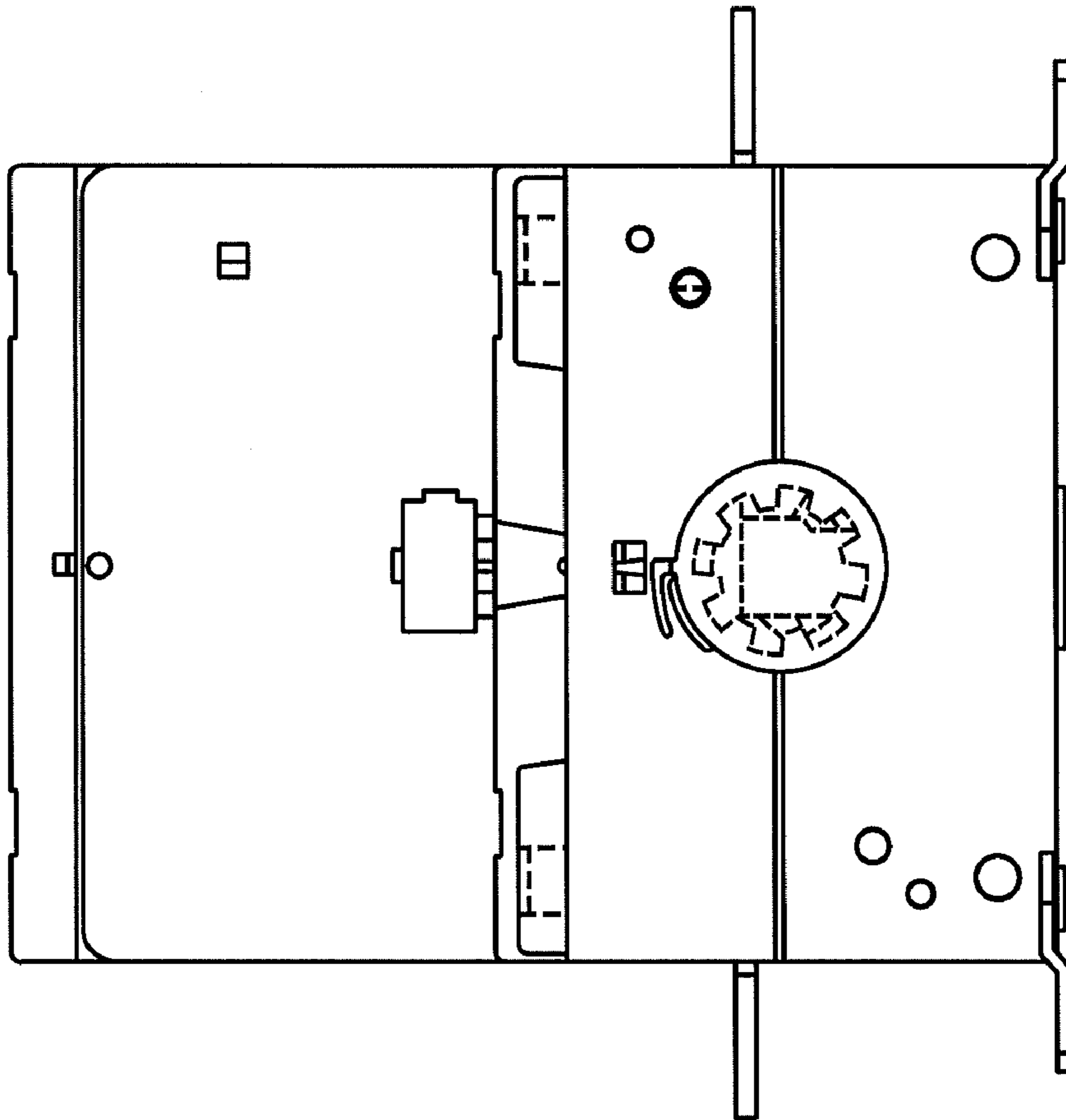


FIG. 5

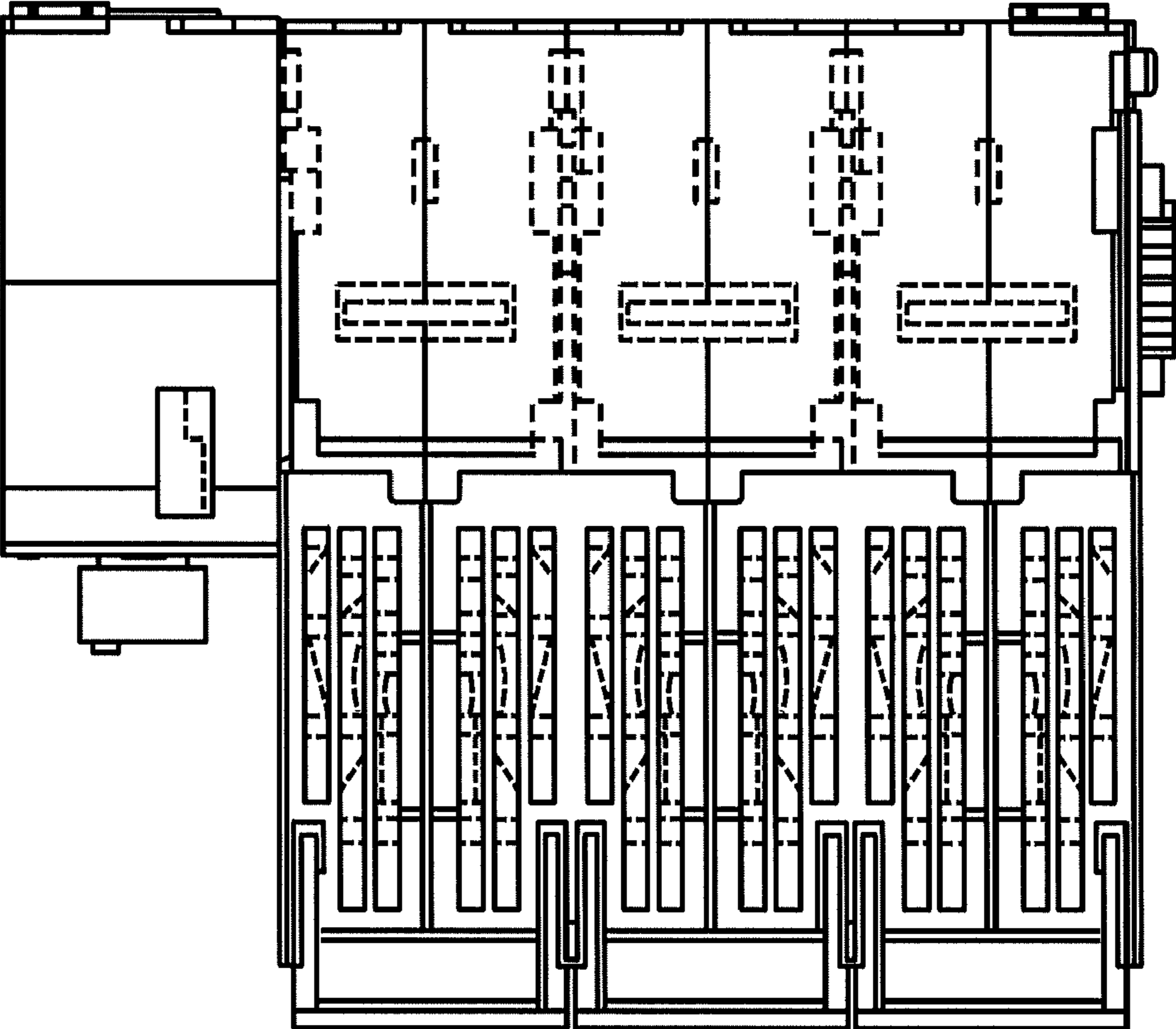


FIG. 6