



US00D654440S

(12) **United States Design Patent**
Lin

(10) **Patent No.:** **US D654,440 S**

(45) **Date of Patent:** **** Feb. 21, 2012**

(54) **RECEPTACLE CONNECTOR**

(75) Inventor: **Jui-Pin Lin**, New Taipei (TW)

(73) Assignee: **Cheng Uei Precision Industry Co., Ltd.**, New Taipei (TW)

(**) Term: **14 Years**

(21) Appl. No.: **29/388,594**

(22) Filed: **Mar. 30, 2011**

(51) **LOC (9) Cl.** **13-03**

(52) **U.S. Cl.** **D13/147**

(58) **Field of Classification Search** D13/147,
D13/154, 184, 199; 439/188, 256, 344, 607.1,
439/607.4, 607.5, 607.17, 607.25, 607.34,
439/607.41, 607.53, 660, 676

See application file for complete search history.

(56) **References Cited**

U.S. PATENT DOCUMENTS

D427,975 S *	7/2000	Zhu et al.	D13/147
D453,499 S *	2/2002	Hisada et al.	D13/147
D465,202 S *	11/2002	Kubota	D13/147
D507,780 S *	7/2005	Wang	D13/147
D585,829 S *	2/2009	Ko et al.	D13/147

* cited by examiner

Primary Examiner — Daniel Bui

(74) *Attorney, Agent, or Firm* — Cheng-Ju Chiang

(57) **CLAIM**

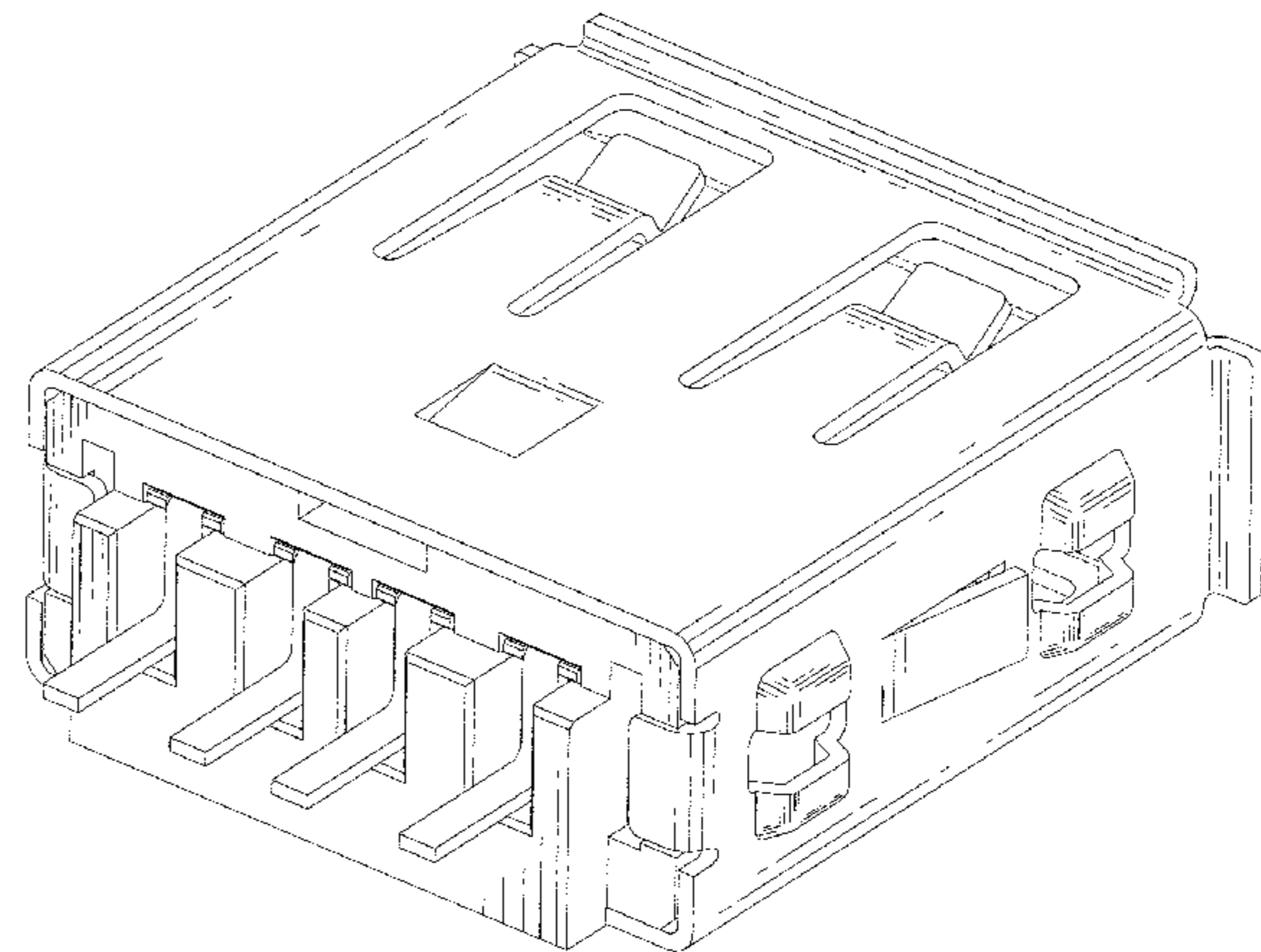
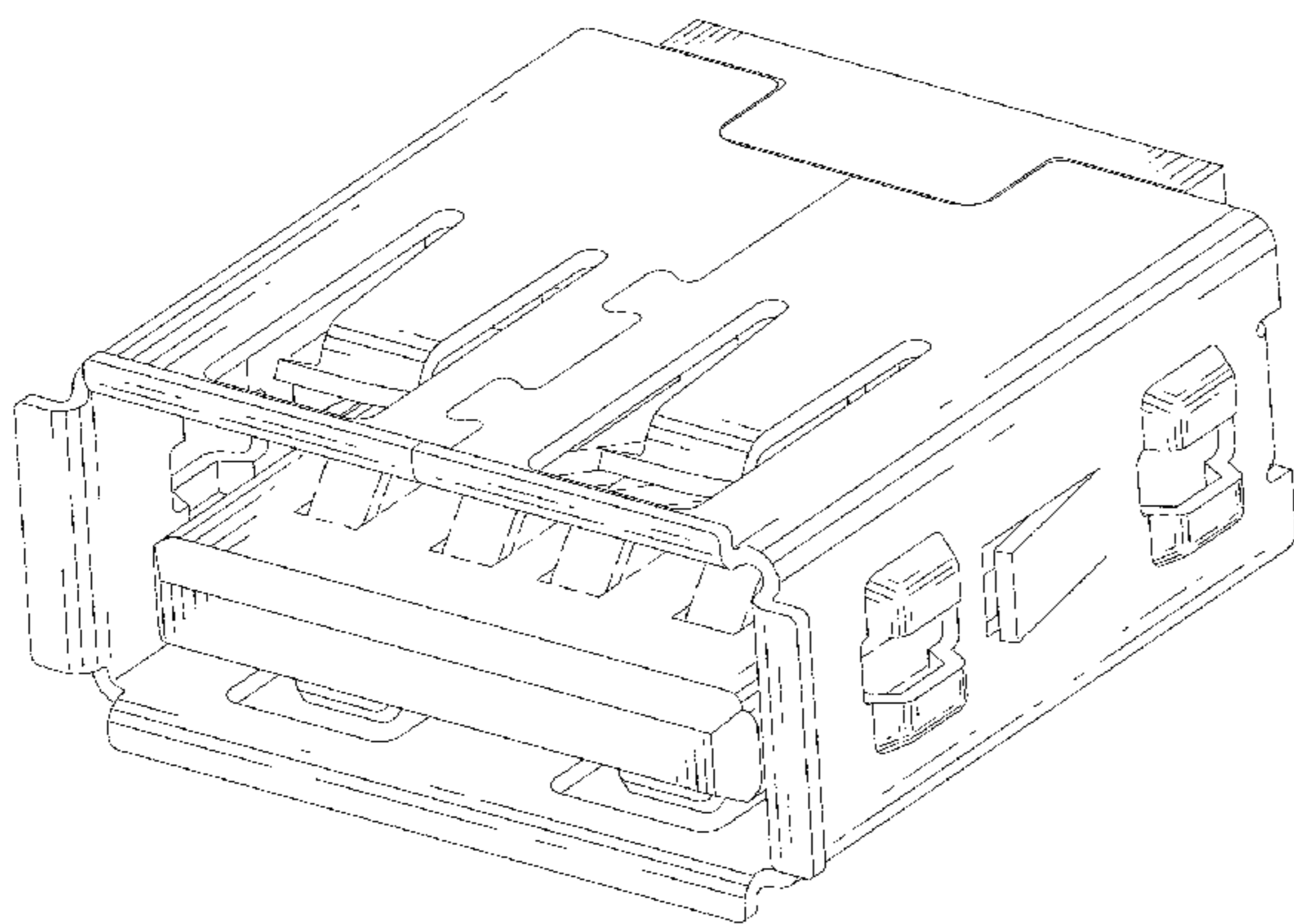
The ornamental design for a receptacle connector, as shown and described.

DESCRIPTION

FIG. 1 is a perspective view of a receptacle connector showing my new design;
FIG. 2 is a front elevational view thereof;
FIG. 3 is a rear elevational view thereof;
FIG. 4 is a left side elevational view thereof;
FIG. 5 is a right side elevational view thereof;
FIG. 6 is a top plan view thereof;
FIG. 7 is a bottom plan view thereof; and,
FIG. 8 is another perspective view of the receptacle connector showing my new design.

The broken line portion of the figure drawings is included to show unclaimed subject matter only and forms no part of the claimed design.

1 Claim, 8 Drawing Sheets



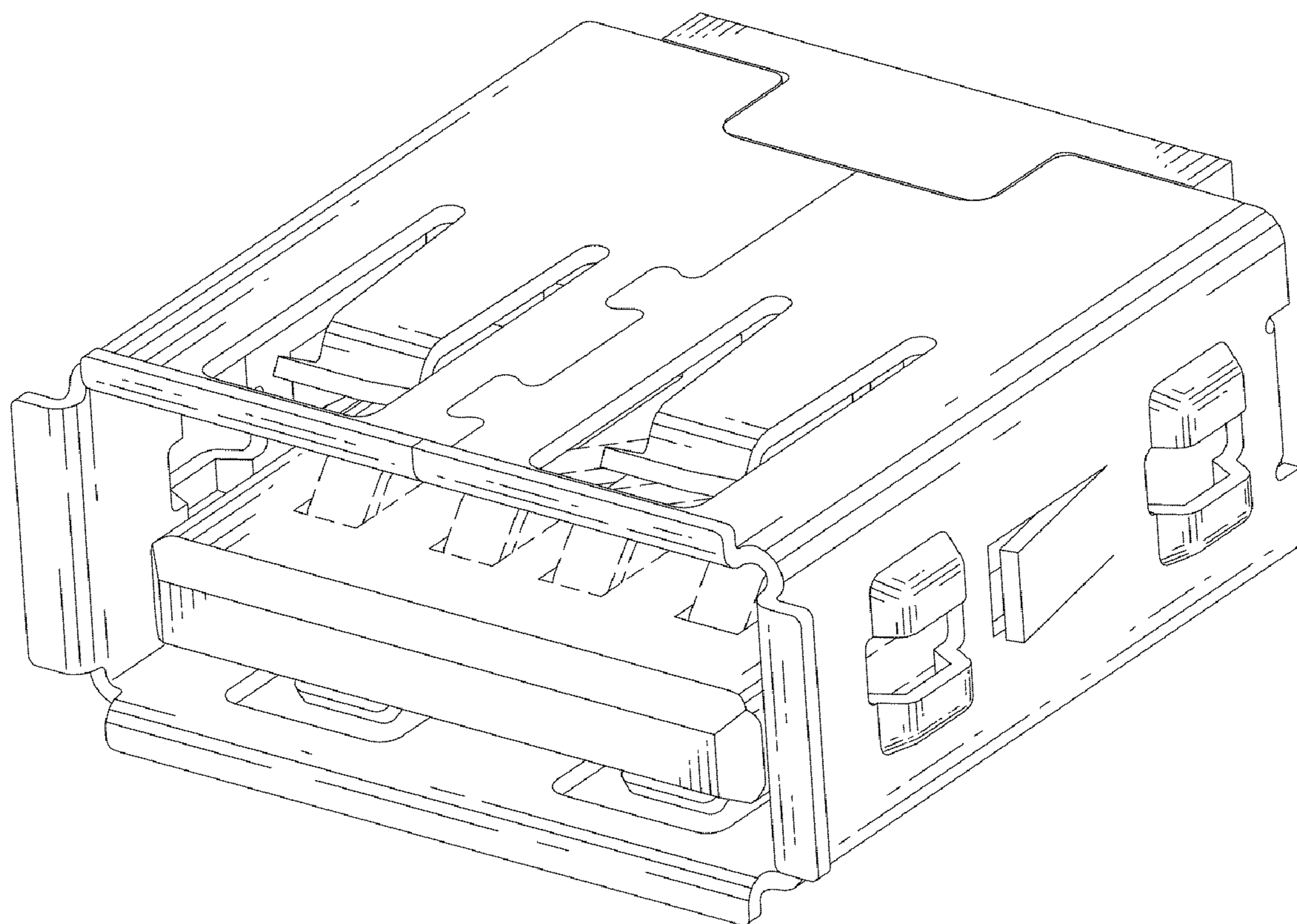


FIG. 1

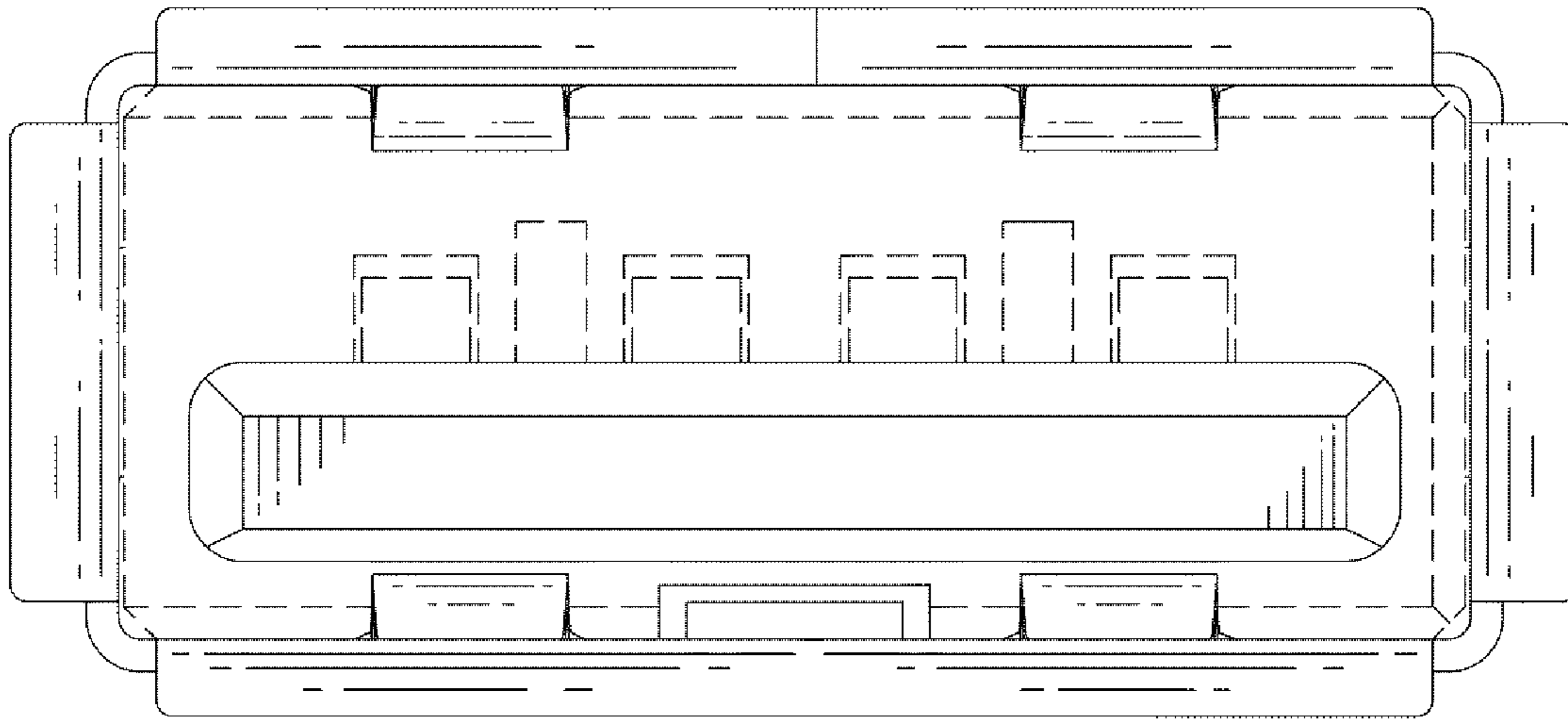


FIG. 2

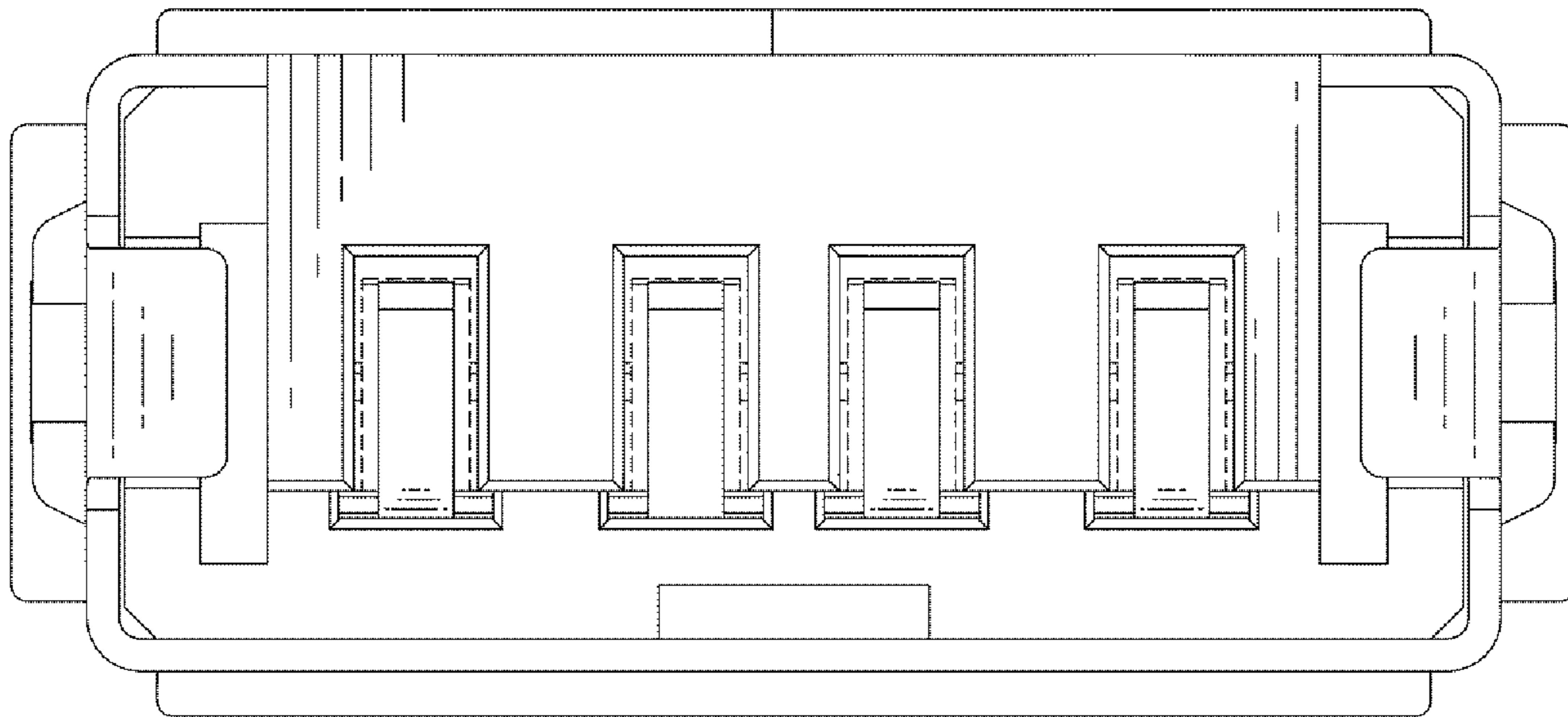


FIG. 3

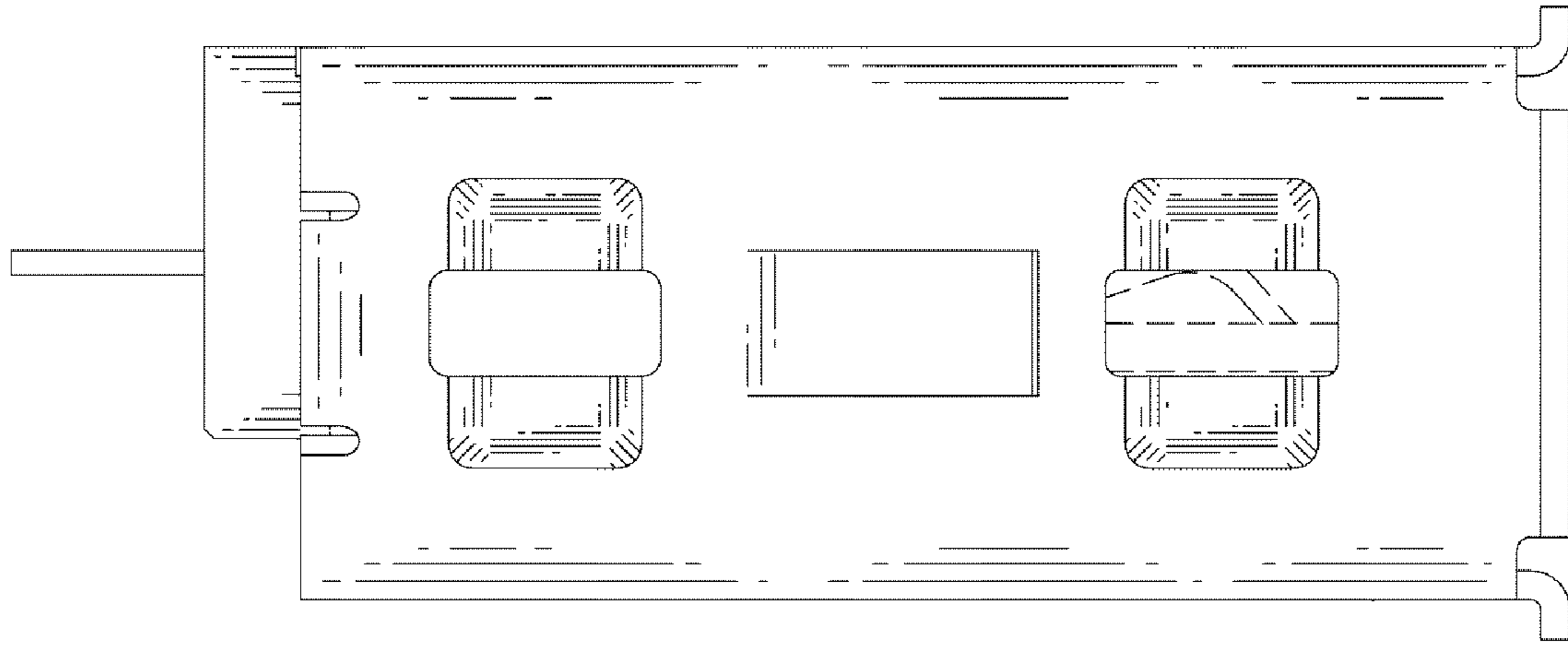


FIG. 4

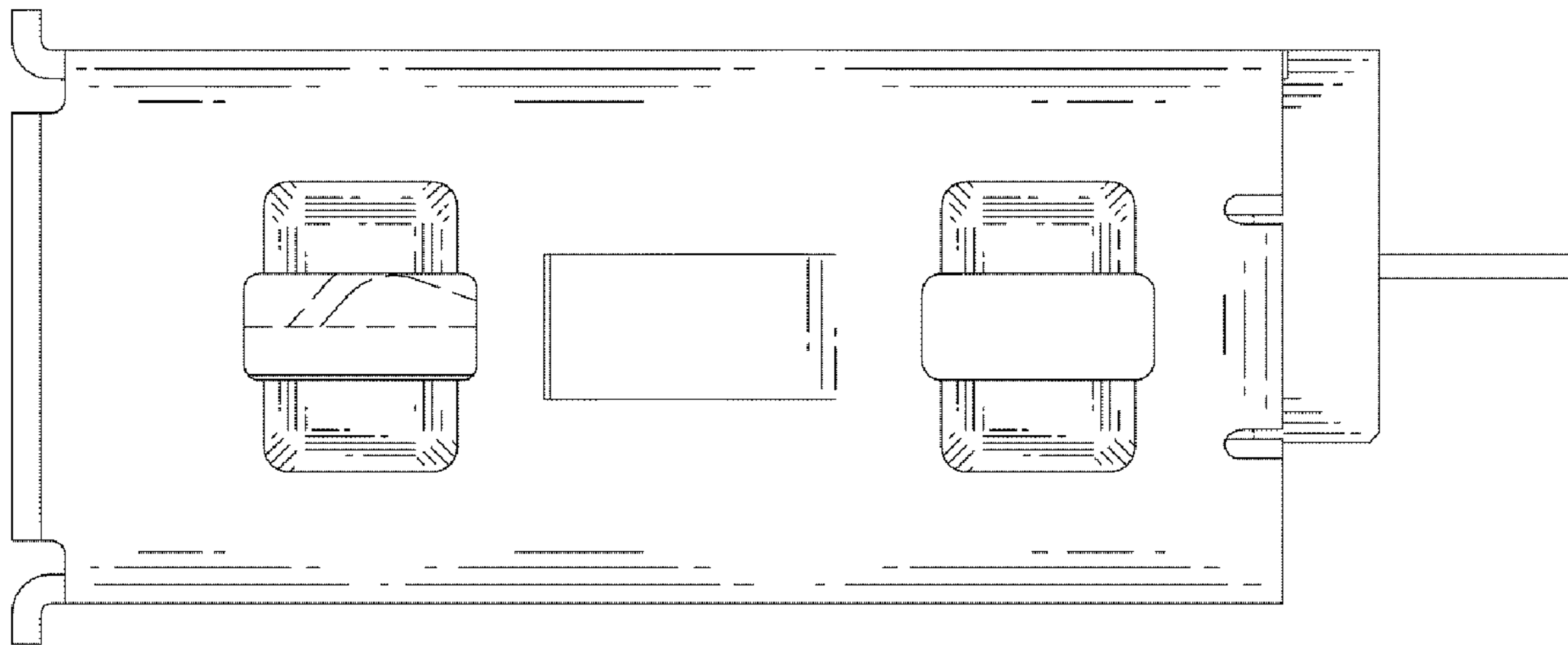


FIG. 5

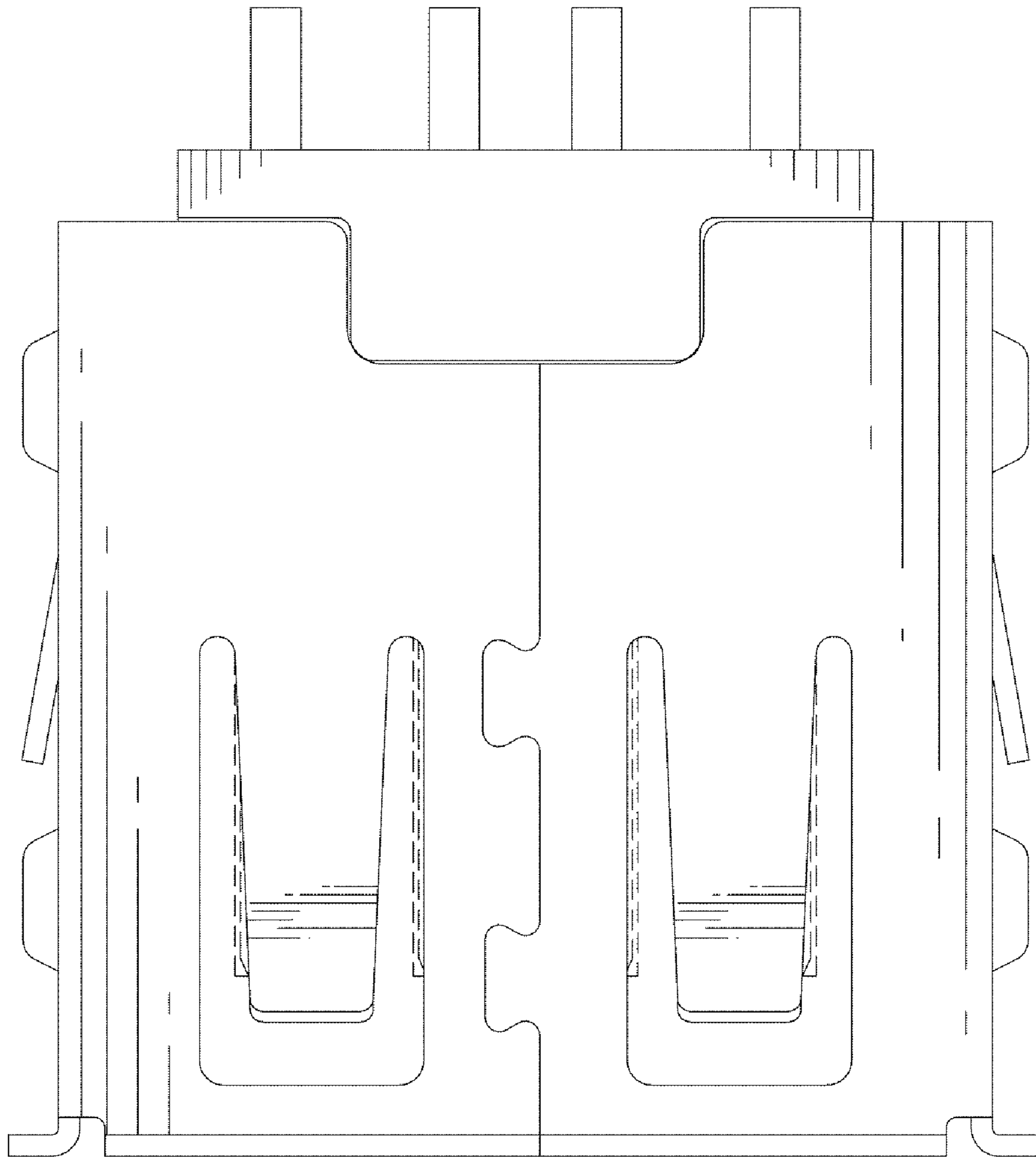


FIG. 6

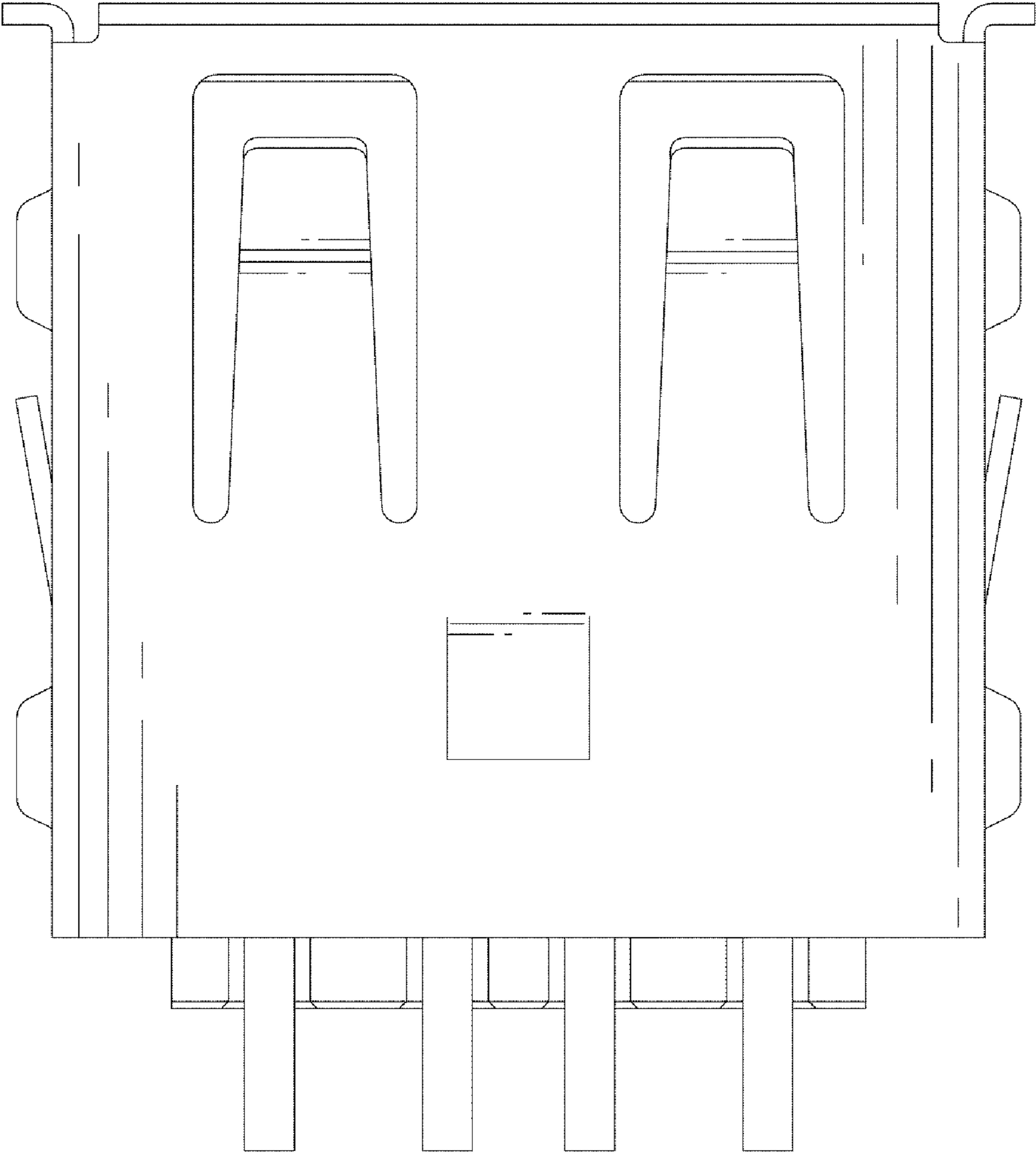


FIG. 7

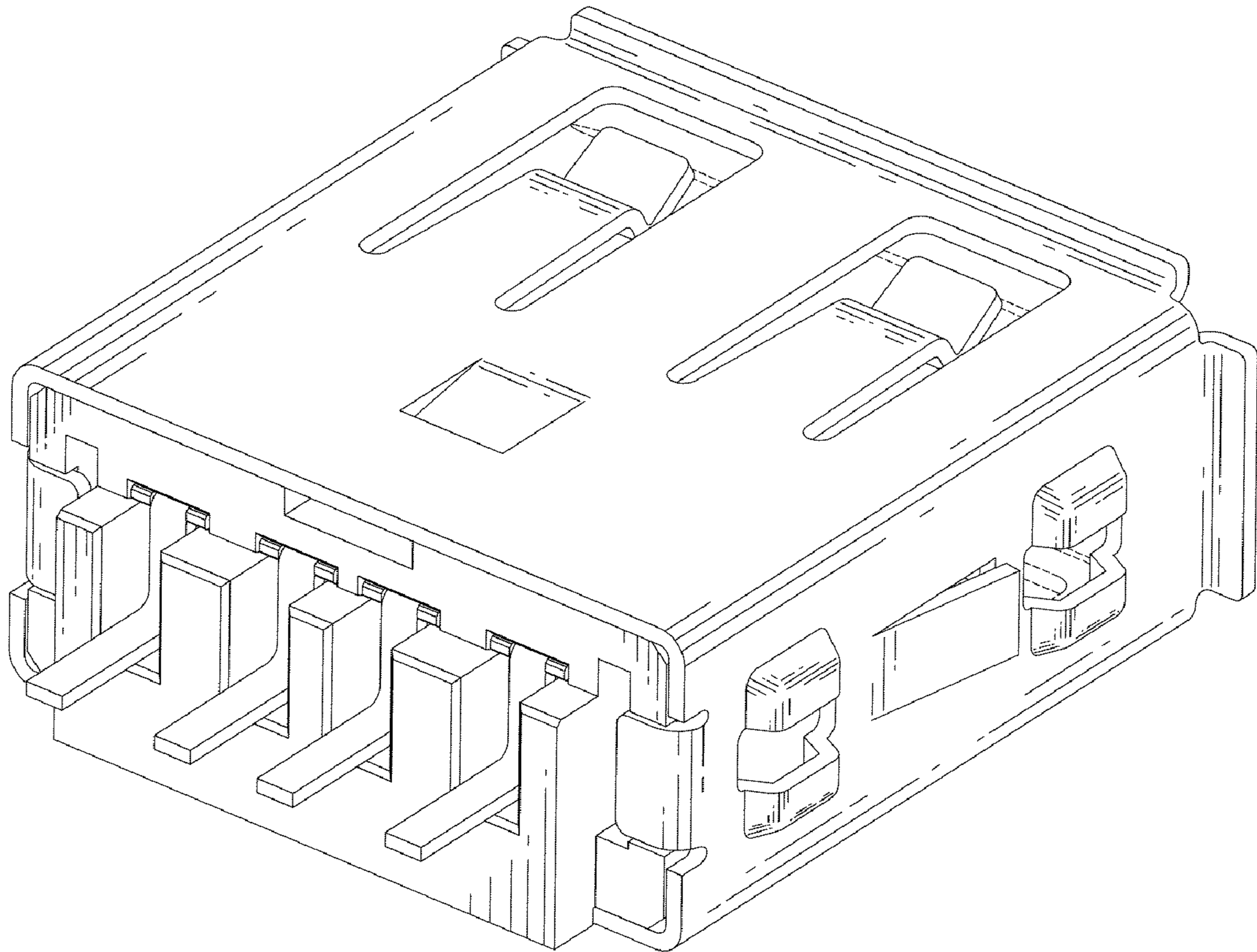


FIG. 8