



US00D654439S

(12) **United States Design Patent**
Sasaki

(10) **Patent No.:** **US D654,439 S**

(45) **Date of Patent:** **** Feb. 21, 2012**

(54) **ELECTRICAL CONNECTOR**

(75) Inventor: **Daisuke Sasaki, Yao (JP)**

(73) Assignee: **Hosiden Corporation, Yao-shi (JP)**

(**) Term: **14 Years**

(21) Appl. No.: **29/384,777**

(22) Filed: **Feb. 3, 2011**

(30) **Foreign Application Priority Data**

Aug. 25, 2010 (JP) 2010-020464

Aug. 25, 2010 (JP) 2010-020465

(51) **LOC (9) Cl.** **13-03**

(52) **U.S. Cl.** **D13/147**

(58) **Field of Classification Search** D13/147,
D13/154, 184, 199; 439/79, 108, 378, 567,
439/607.01, 607.04, 607.05, 607.17, 607.25,
439/607.34, 607.41, 607.53, 668, 680

See application file for complete search history.

(56) **References Cited**

U.S. PATENT DOCUMENTS

D427,975 S * 7/2000 Zhu et al. D13/147

D465,202 S * 11/2002 Kubota D13/147

D499,382 S * 12/2004 Zhu et al. D13/147

D585,829 S * 2/2009 Ko et al. D13/147

D617,283 S * 6/2010 Wang et al. D13/147

D626,919 S * 11/2010 Wang et al. D13/147

D636,733 S * 4/2011 Wang et al. D13/147

* cited by examiner

Primary Examiner — Daniel Bui

(74) *Attorney, Agent, or Firm* — Rankin, Hill & Clark LLP

(57) **CLAIM**

The ornamental design for an electrical connector, as shown and described.

DESCRIPTION

FIG. 1 is a front, right side and top perspective view of an electrical connector showing my new design;

FIG. 2 is a rear, right side and bottom perspective view thereof;

FIG. 3 is a front, left side and bottom perspective view thereof;

FIG. 4 is a rear, left side and top perspective view thereof;

FIG. 5 is a front elevation view thereof;

FIG. 6 is a rear elevation view thereof;

FIG. 7 is a left side view thereof;

FIG. 8 is a right side view thereof;

FIG. 9 is a top plan view thereof; and,

FIG. 10 is a bottom plan view thereof.

The broken lines shown in FIG. 5 are included for the purpose of illustrating unclaimed environment and form no part of the claimed design.

1 Claim, 5 Drawing Sheets

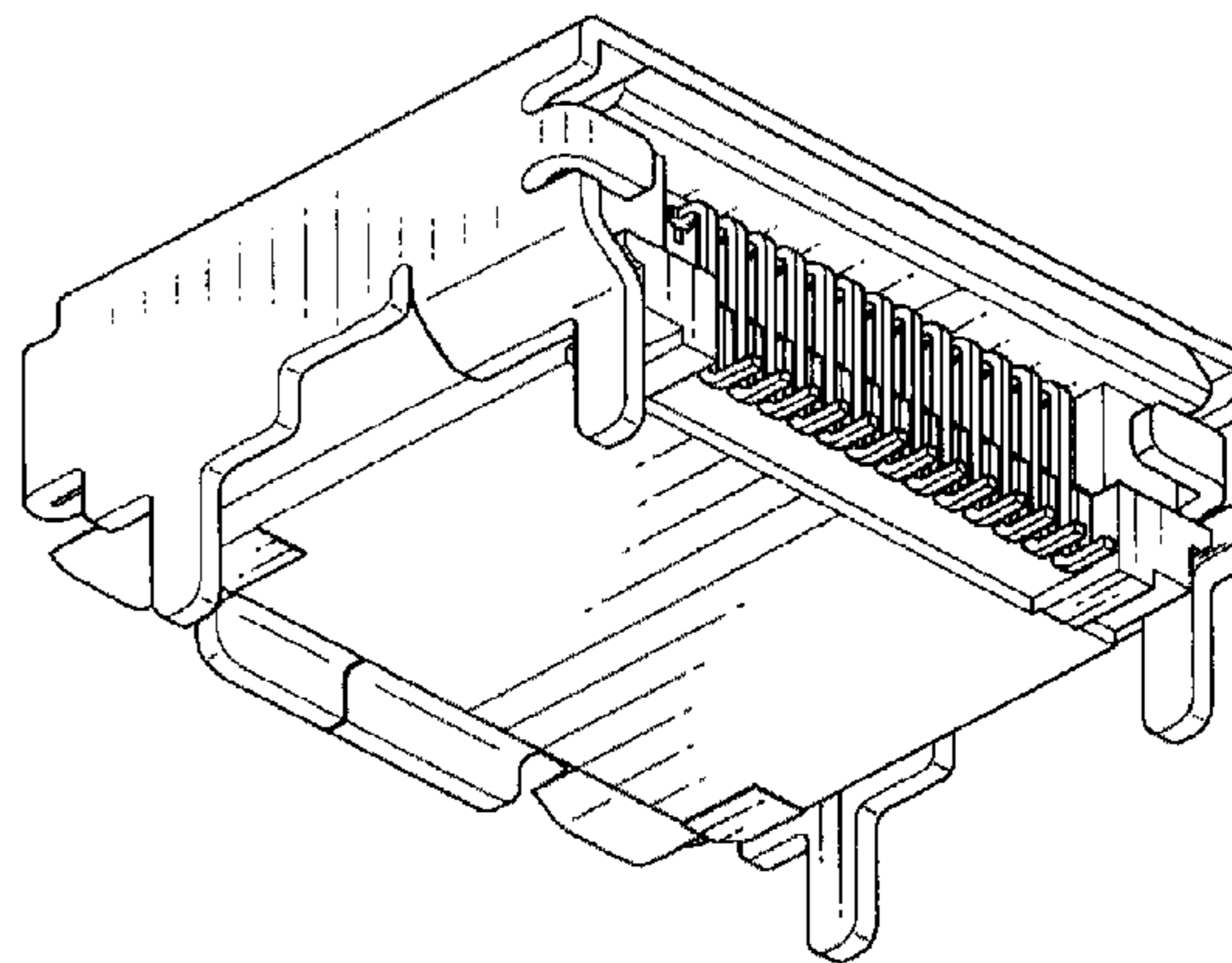
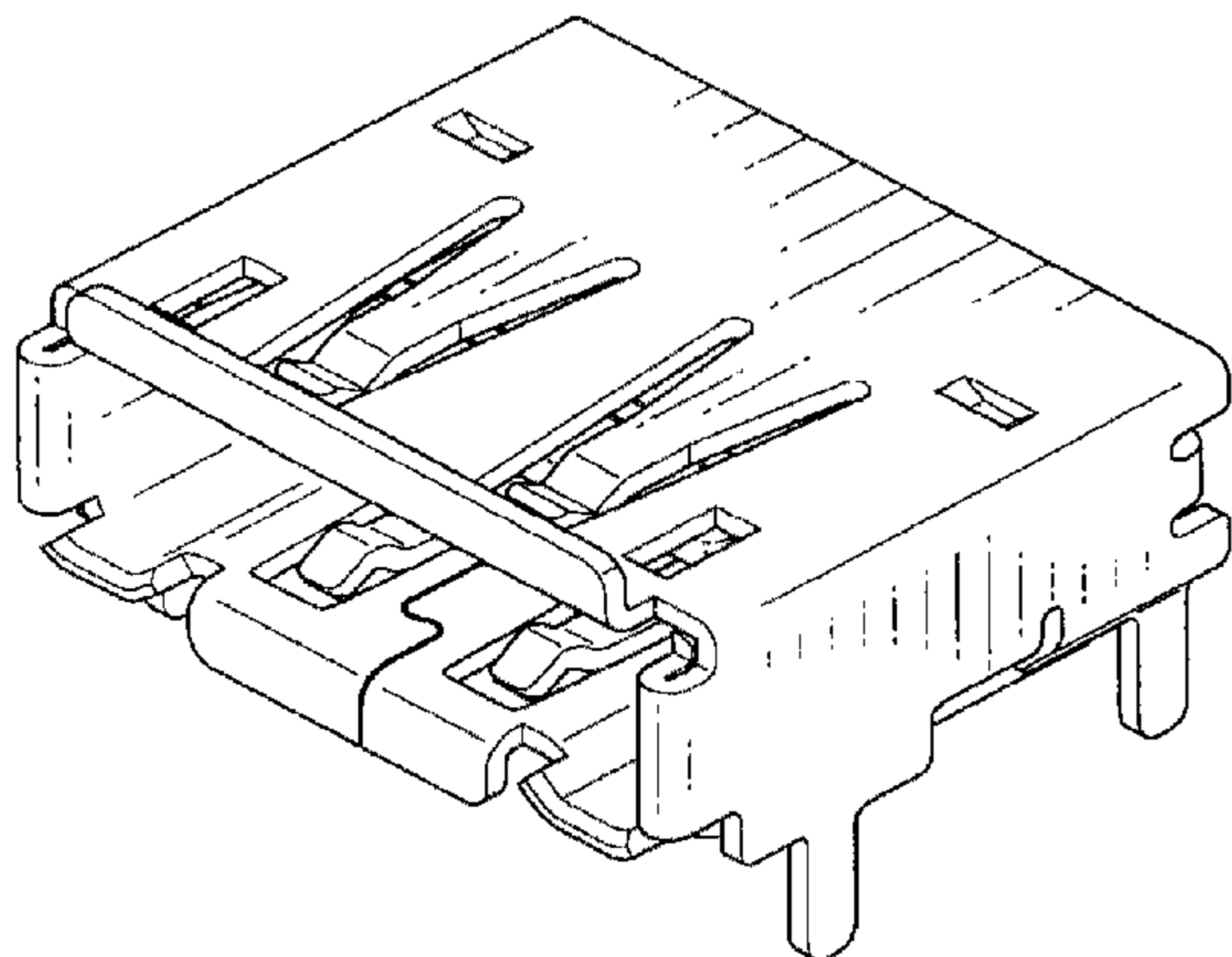


Fig. 1

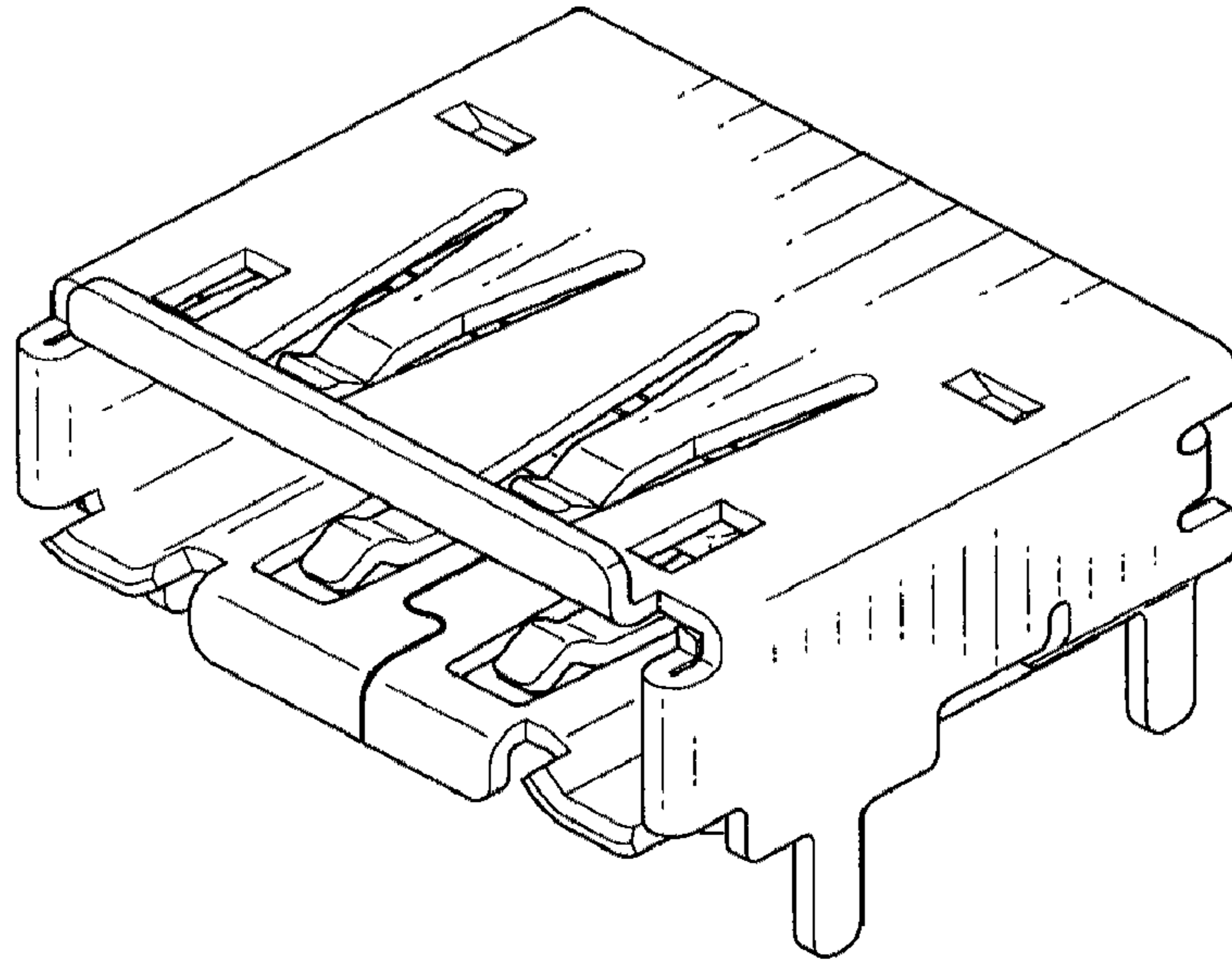


Fig. 2

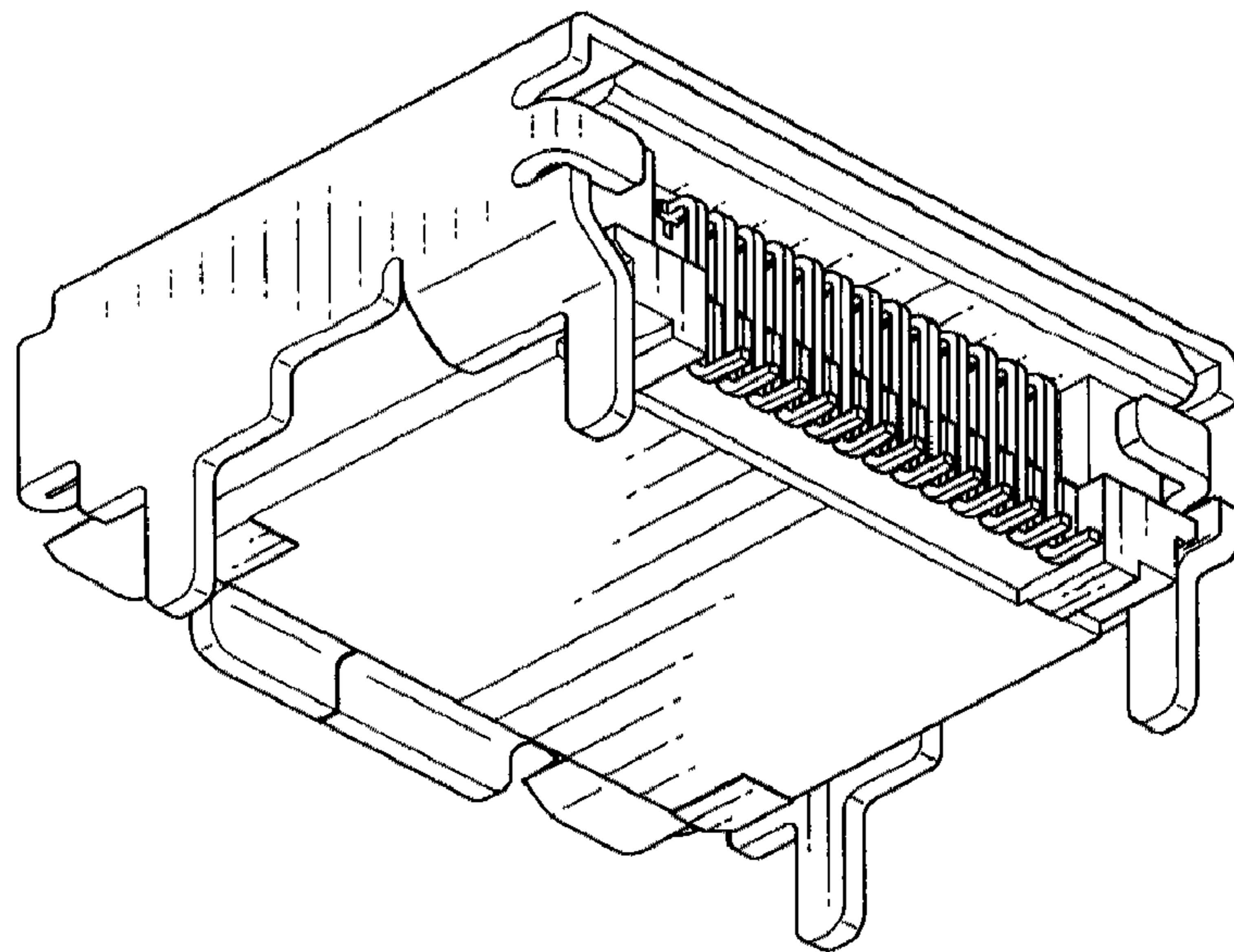


Fig. 3

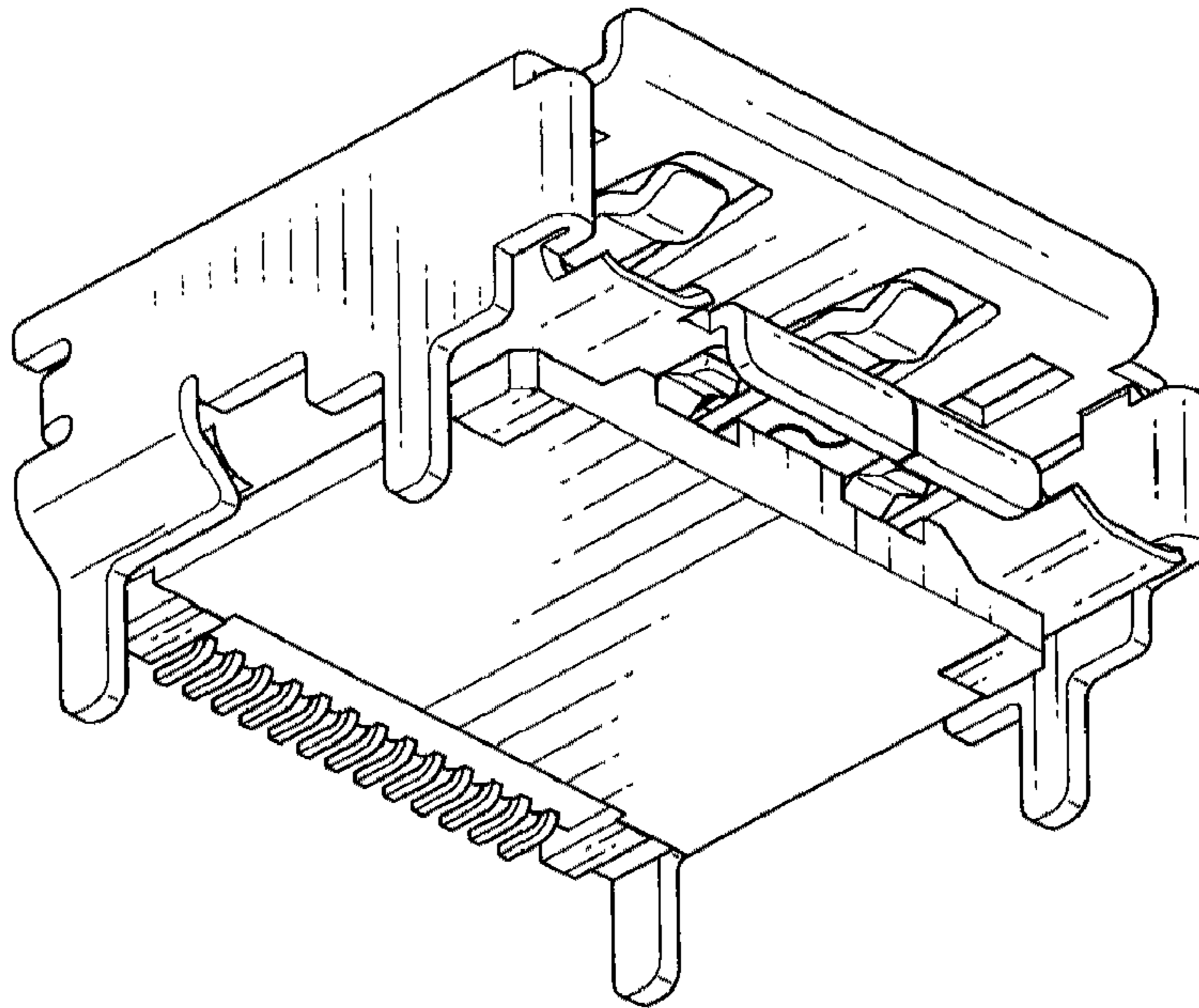


Fig. 4

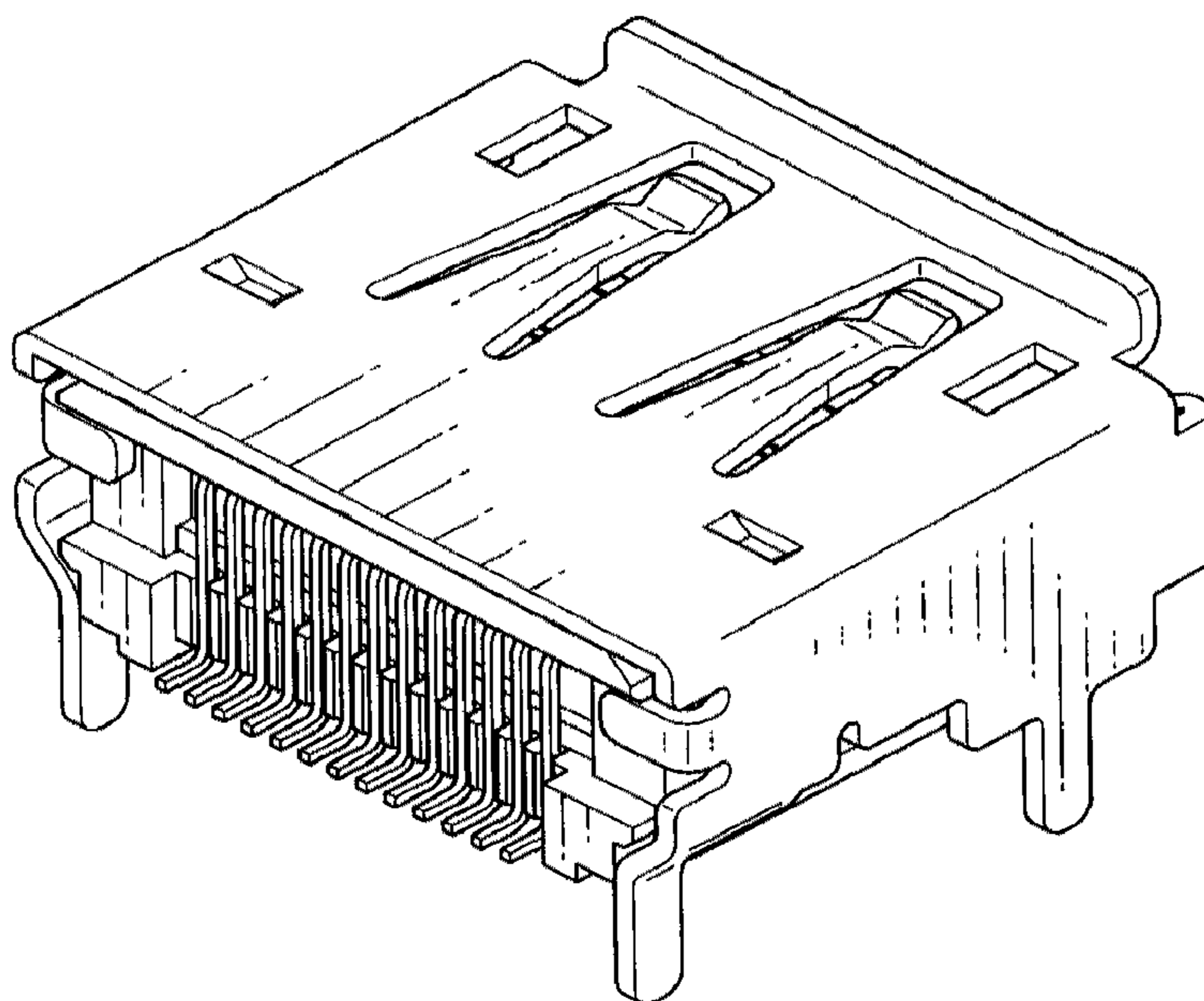


Fig. 5

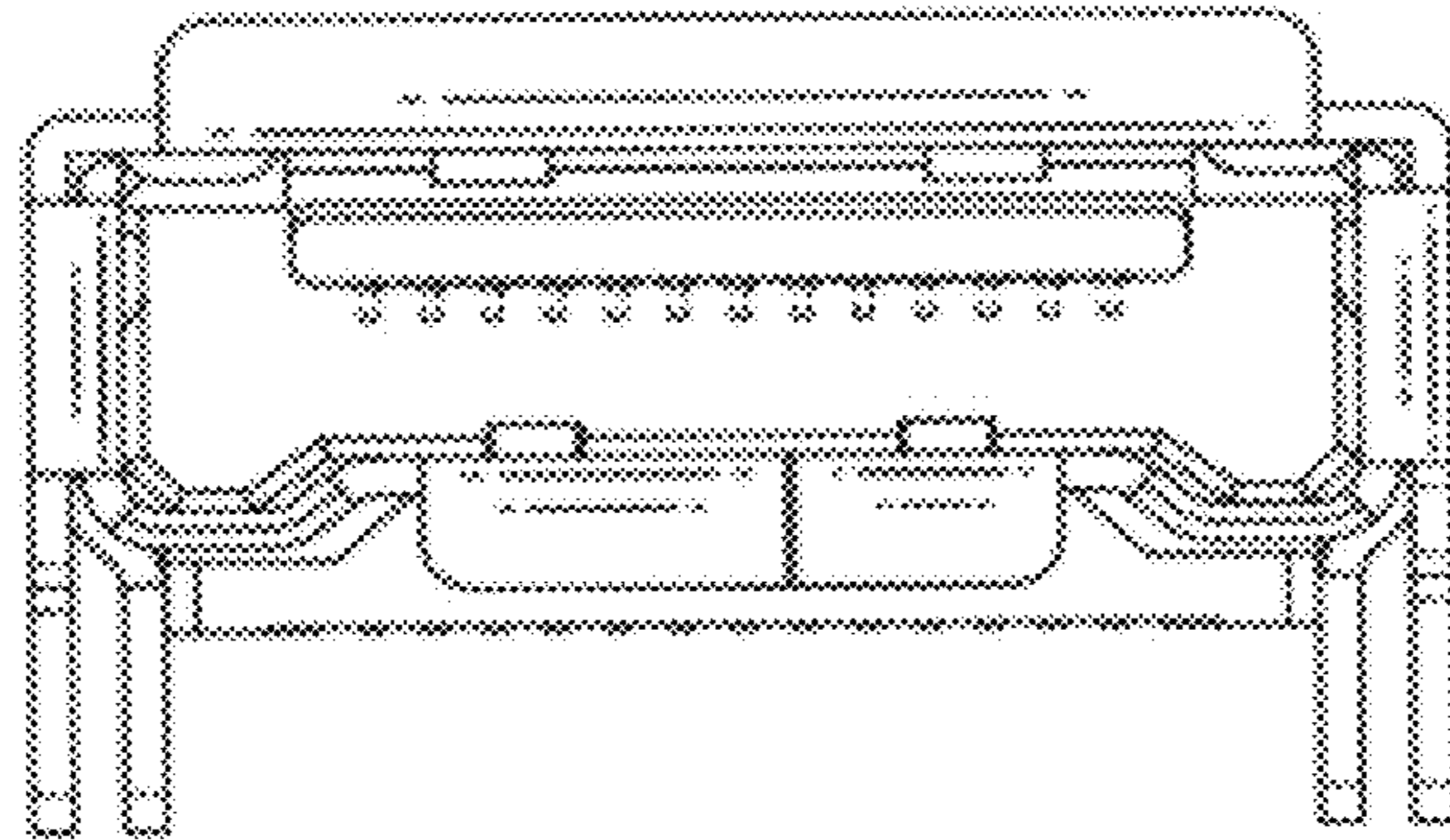


Fig. 6

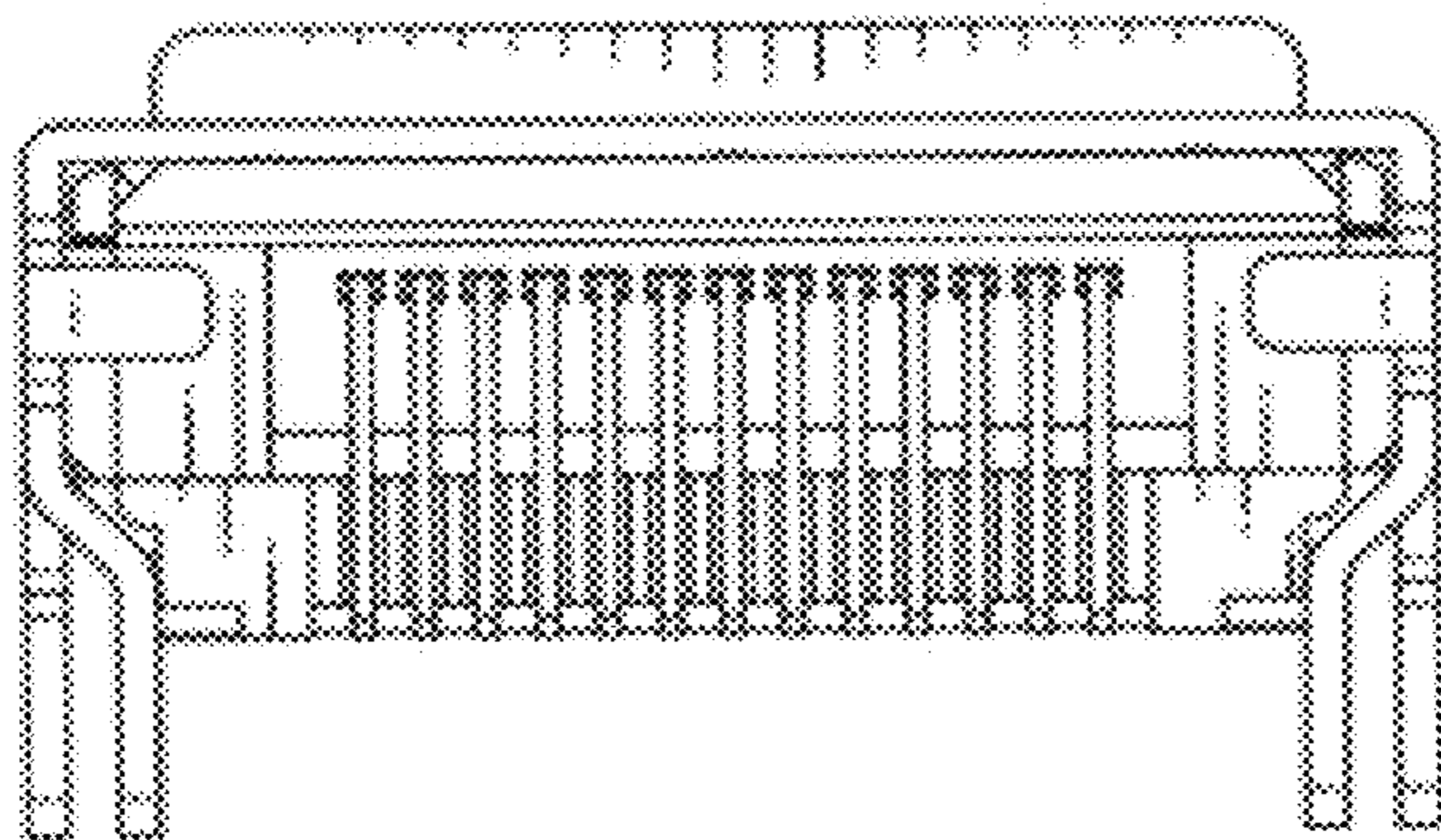


Fig. 7

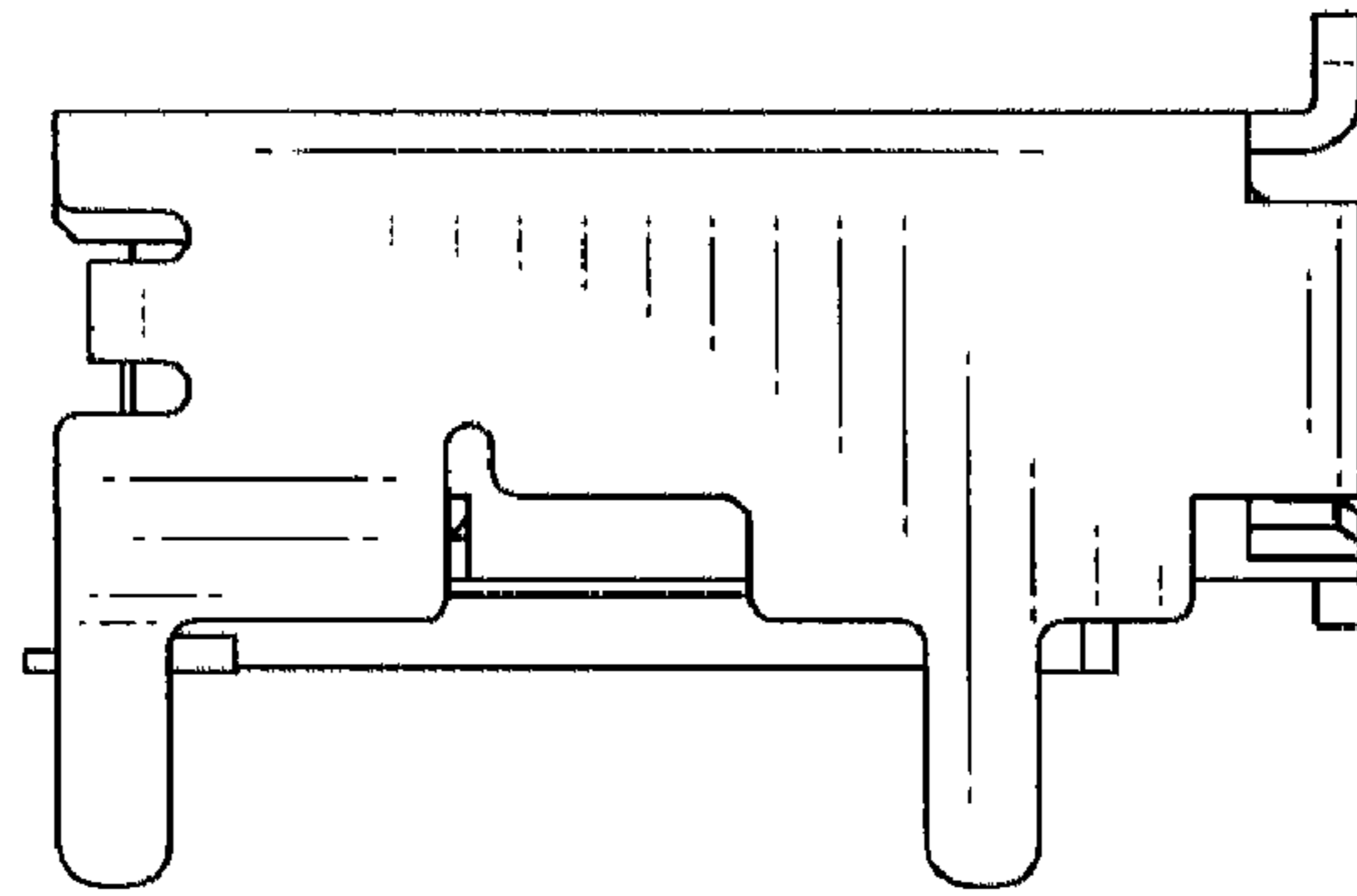


Fig. 8

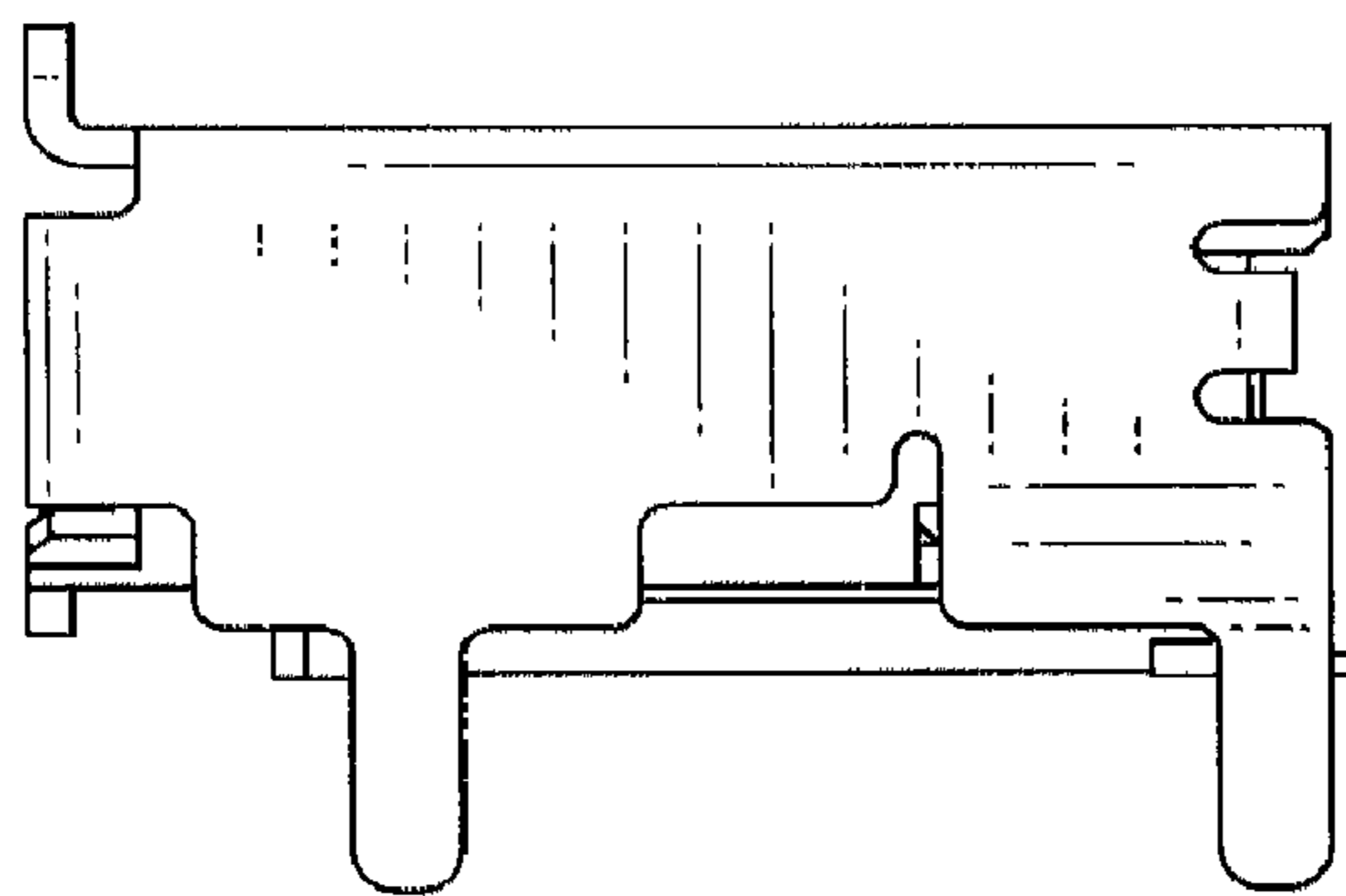


Fig. 9

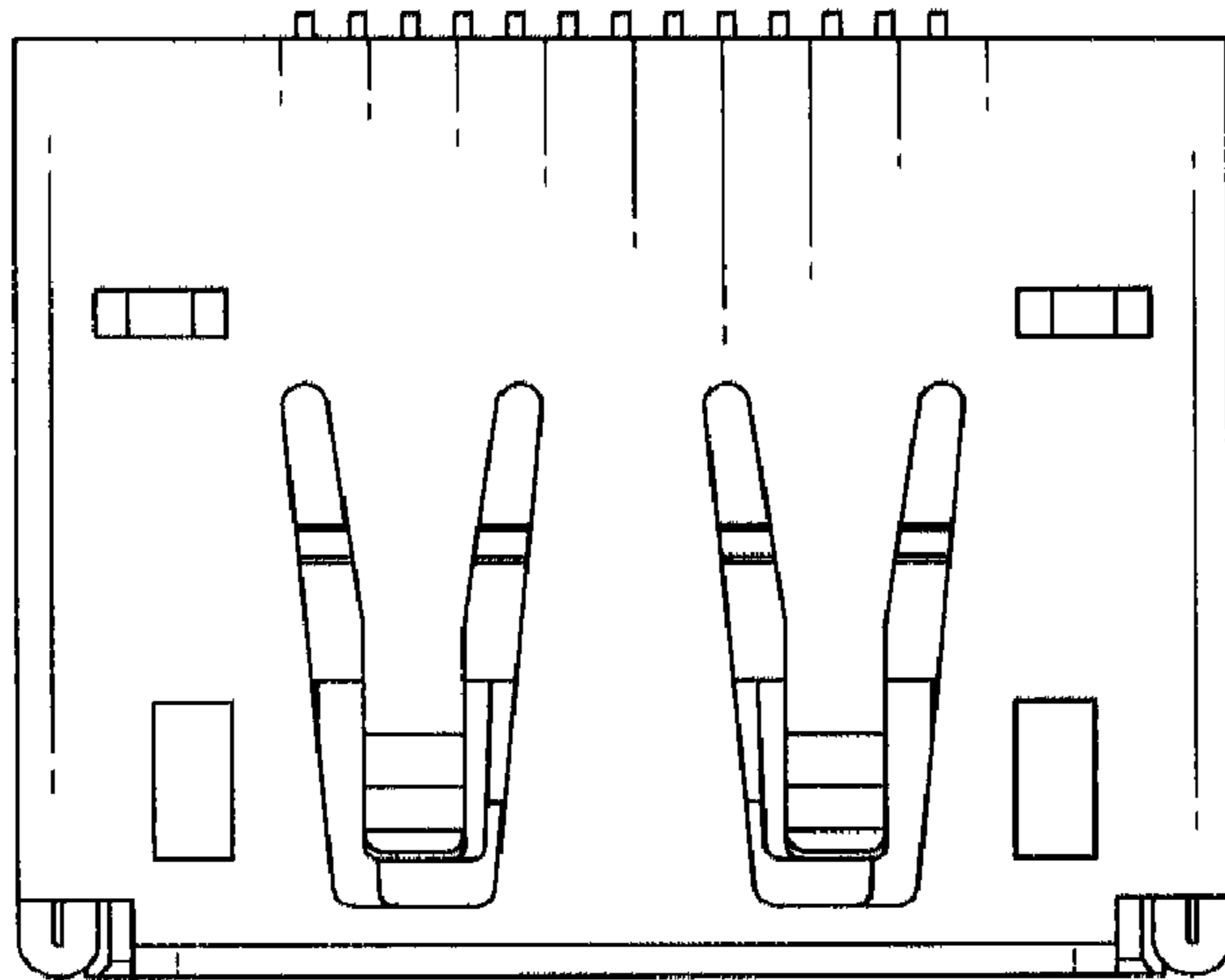


Fig. 10

