

US00D654438S

(12) **United States Design Patent**  
**Sasaki et al.**

(10) **Patent No.:** **US D654,438 S**

(45) **Date of Patent:** **\*\* Feb. 21, 2012**

(54) **ELECTRICAL CONNECTOR**

(75) Inventors: **Daisuke Sasaki**, Yao (JP); **Takayuki Nagata**, Yao (JP)

(73) Assignee: **Hosiden Corporation**, Yao-shi (JP)

(\*\*) Term: **14 Years**

(21) Appl. No.: **29/380,532**

(22) Filed: **Dec. 7, 2010**

(30) **Foreign Application Priority Data**

Jul. 14, 2010 (JP) ..... 2010-017140

(51) **LOC (9) Cl.** ..... **13-03**

(52) **U.S. Cl.** ..... **D13/147**

(58) **Field of Classification Search** ..... D13/147,  
D13/154, 184, 199; 439/108, 476.1, 483,  
439/527, 533, 607.1, 607.4, 607.5, 607.17,  
439/607.25, 607.34, 607.41, 607.53, 892,  
439/894

See application file for complete search history.

(56) **References Cited**

**U.S. PATENT DOCUMENTS**

D635,927 S \* 4/2011 Nagata et al. .... D13/147  
D635,928 S \* 4/2011 Nagata et al. .... D13/147  
D636,342 S \* 4/2011 Sasaki et al. .... D13/147

D636,731 S \* 4/2011 Sasaki et al. .... D13/147  
D636,732 S \* 4/2011 Sasaki et al. .... D13/147  
D638,366 S \* 5/2011 Ohtsuji et al. .... D13/147  
D638,369 S \* 5/2011 Arche et al. .... D13/154  
D638,802 S \* 5/2011 Arche et al. .... D13/154

\* cited by examiner

*Primary Examiner* — Daniel Bui

(74) *Attorney, Agent, or Firm* — Kratz, Quintos & Hanson, LLP

(57) **CLAIM**

The ornamental design for an electrical connector, as shown and described.

**DESCRIPTION**

FIG. 1 is a front elevational view of an electrical connector showing our new design;

FIG. 2 is a back elevational view thereof;

FIG. 3 is a top plan view thereof;

FIG. 4 is a bottom plan view thereof;

FIG. 5 is a right side elevational view thereof;

FIG. 6 is a left side elevational view thereof;

FIG. 7 is a top, front, and right side perspective view thereof;

FIG. 8 is a top, back and left side perspective view thereof;

FIG. 9 is a bottom, front, and right perspective view thereof;

and,

FIG. 10 is a bottom, back and left side perspective view thereof.

**1 Claim, 10 Drawing Sheets**

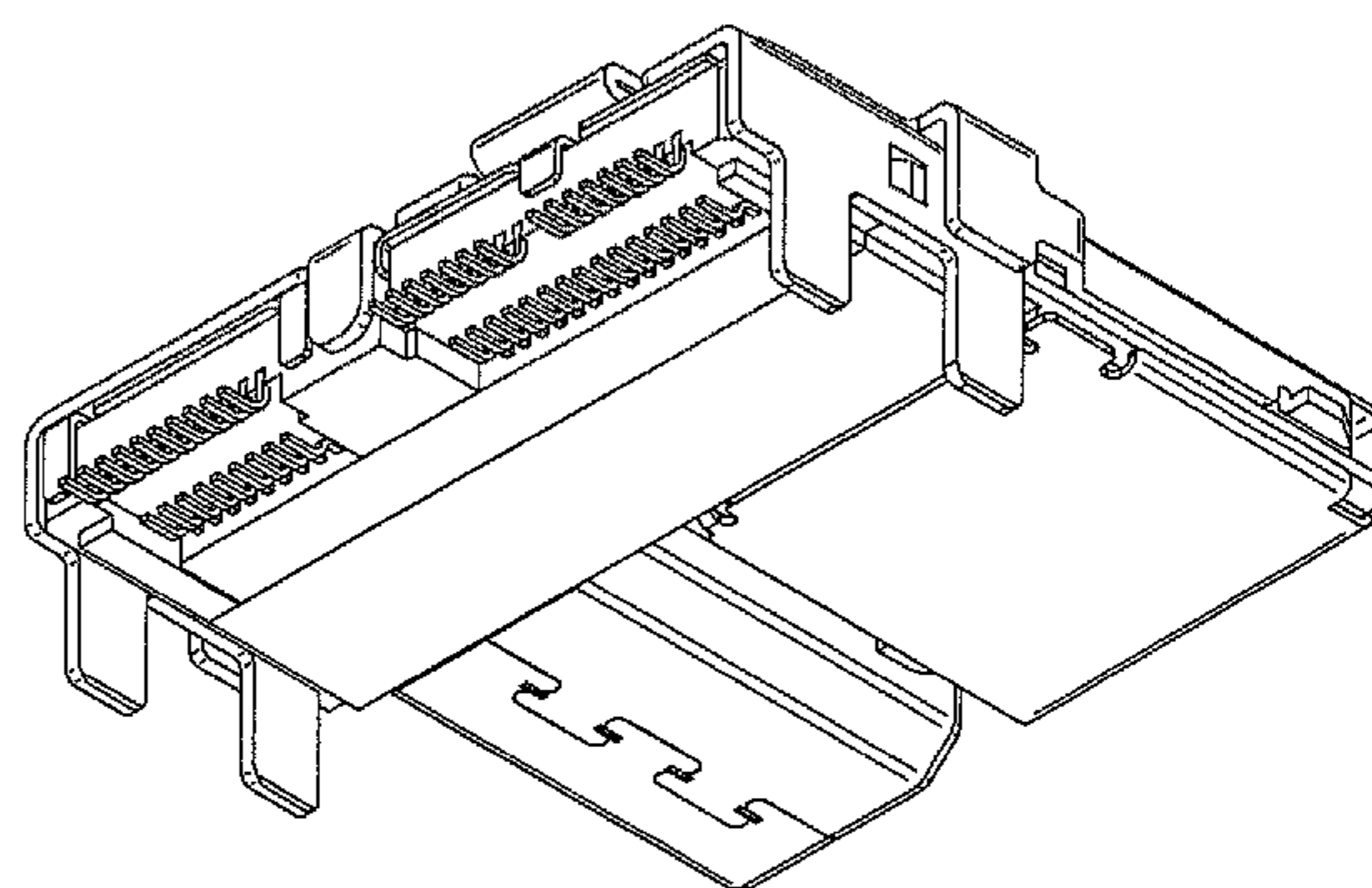
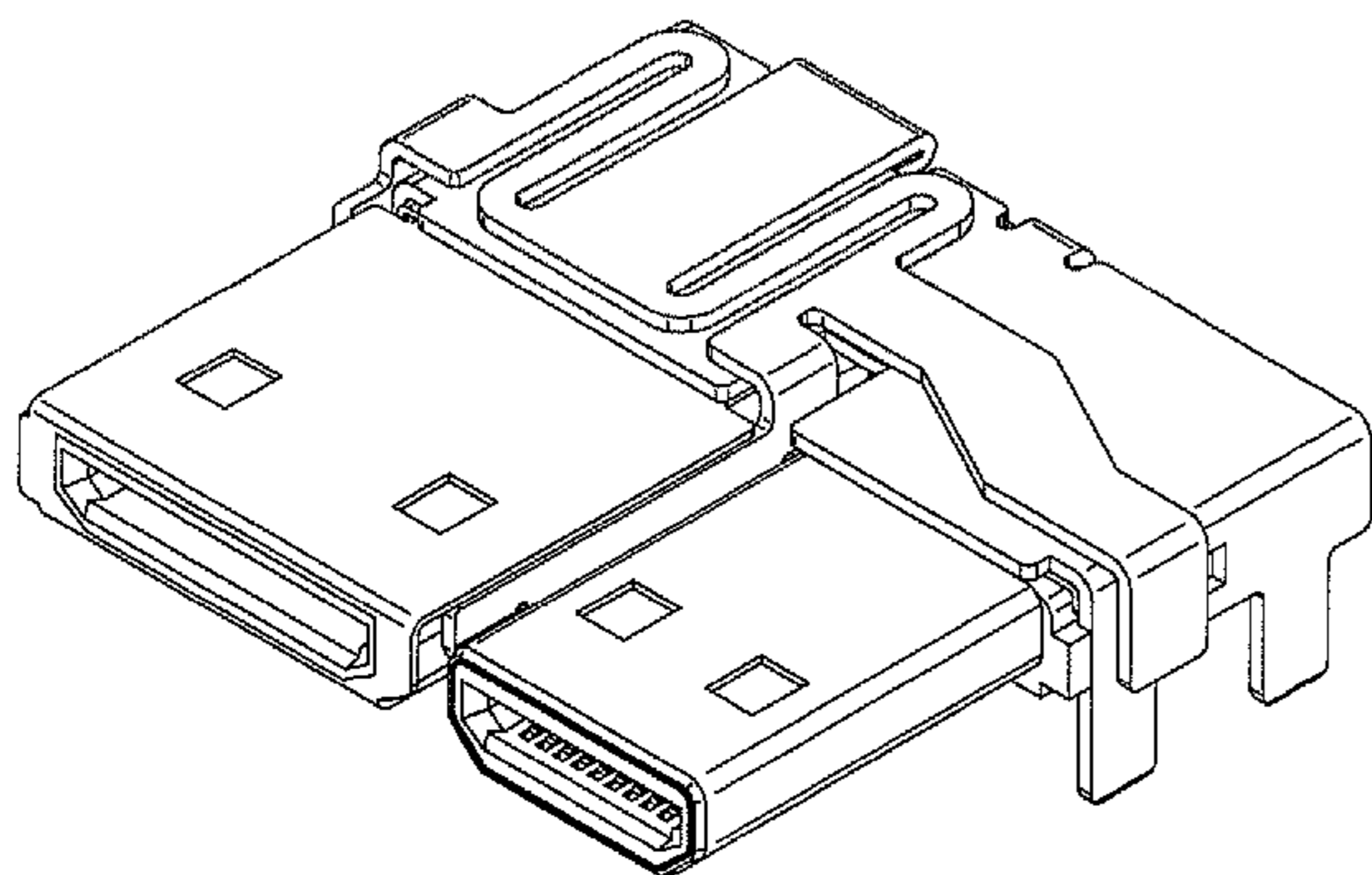


FIG. 1

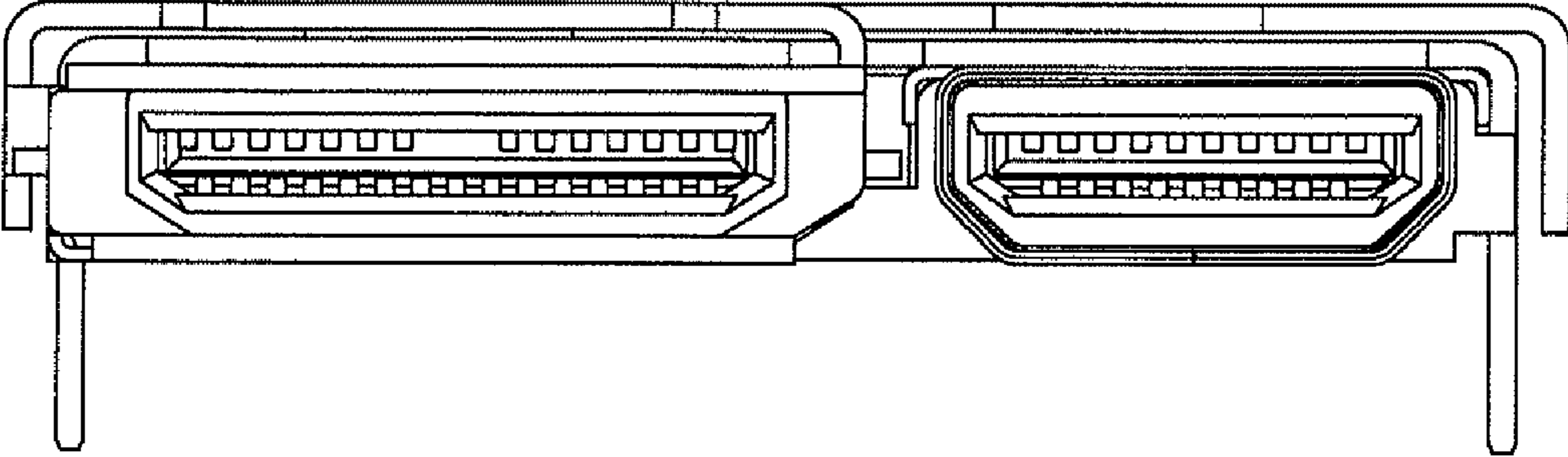


FIG. 2

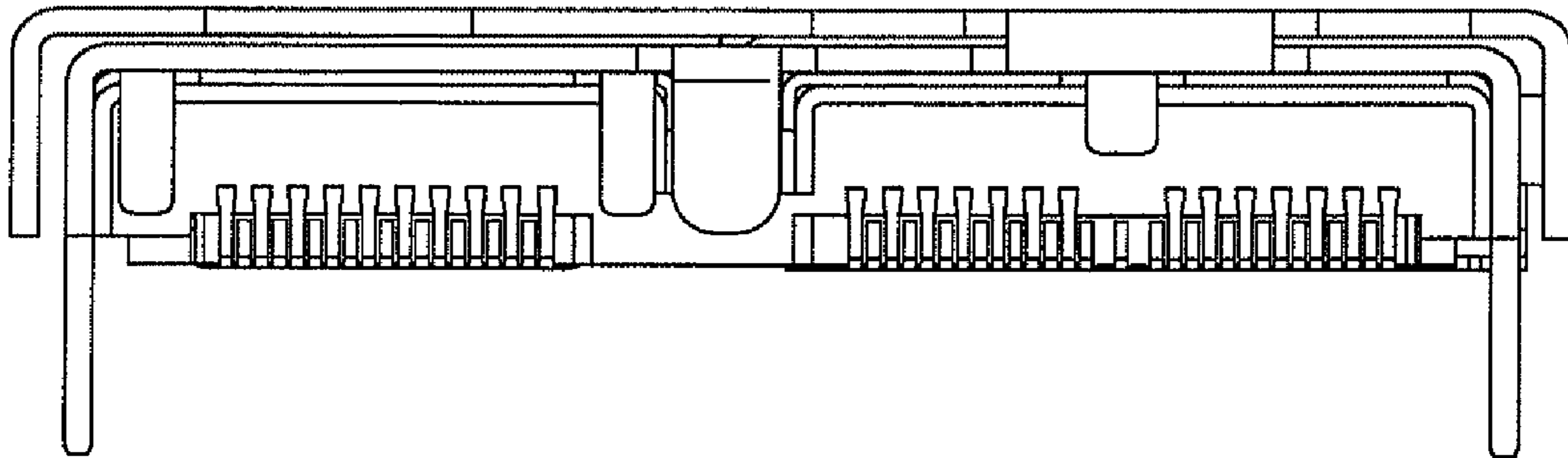


FIG. 3

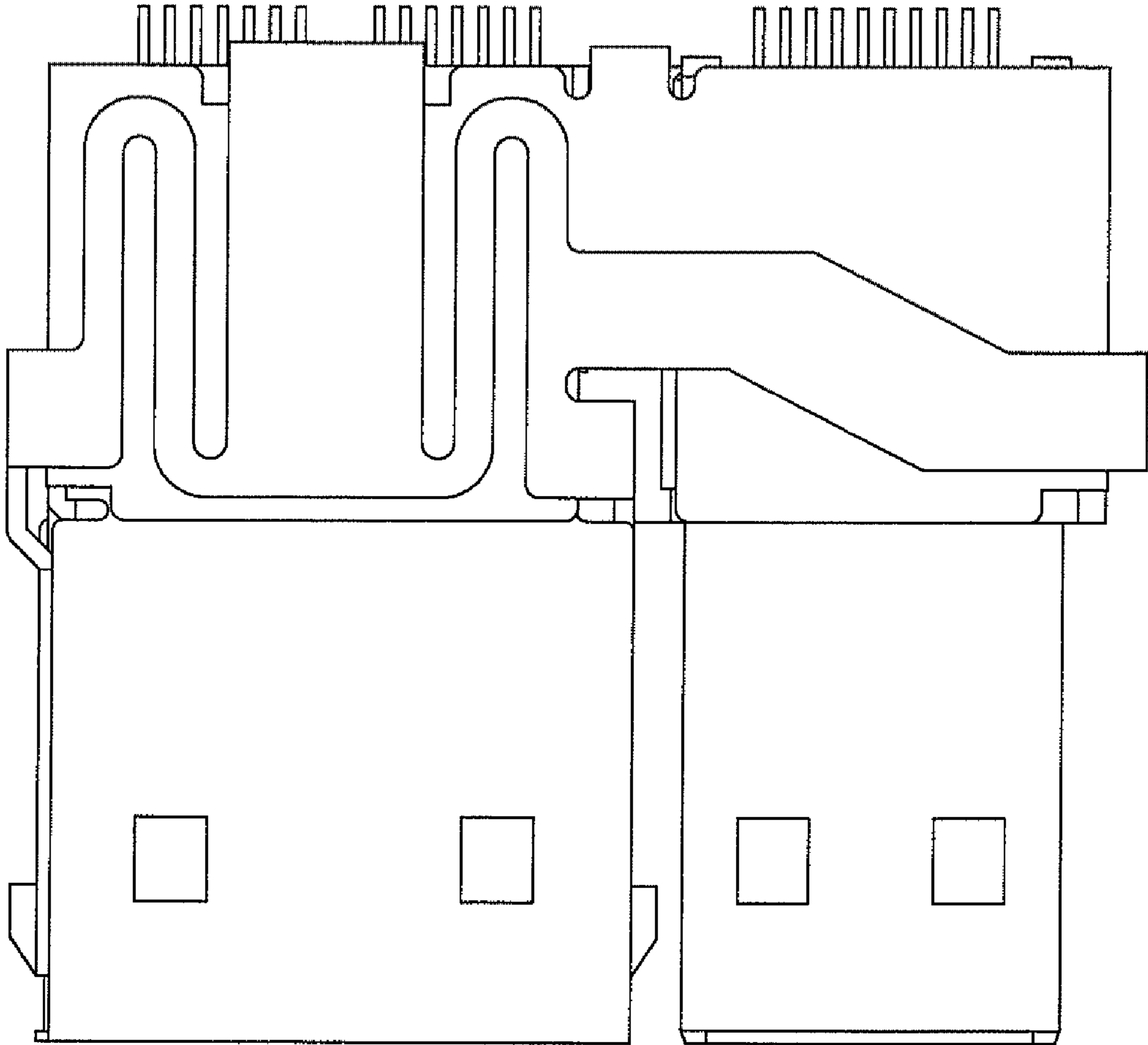


FIG. 4

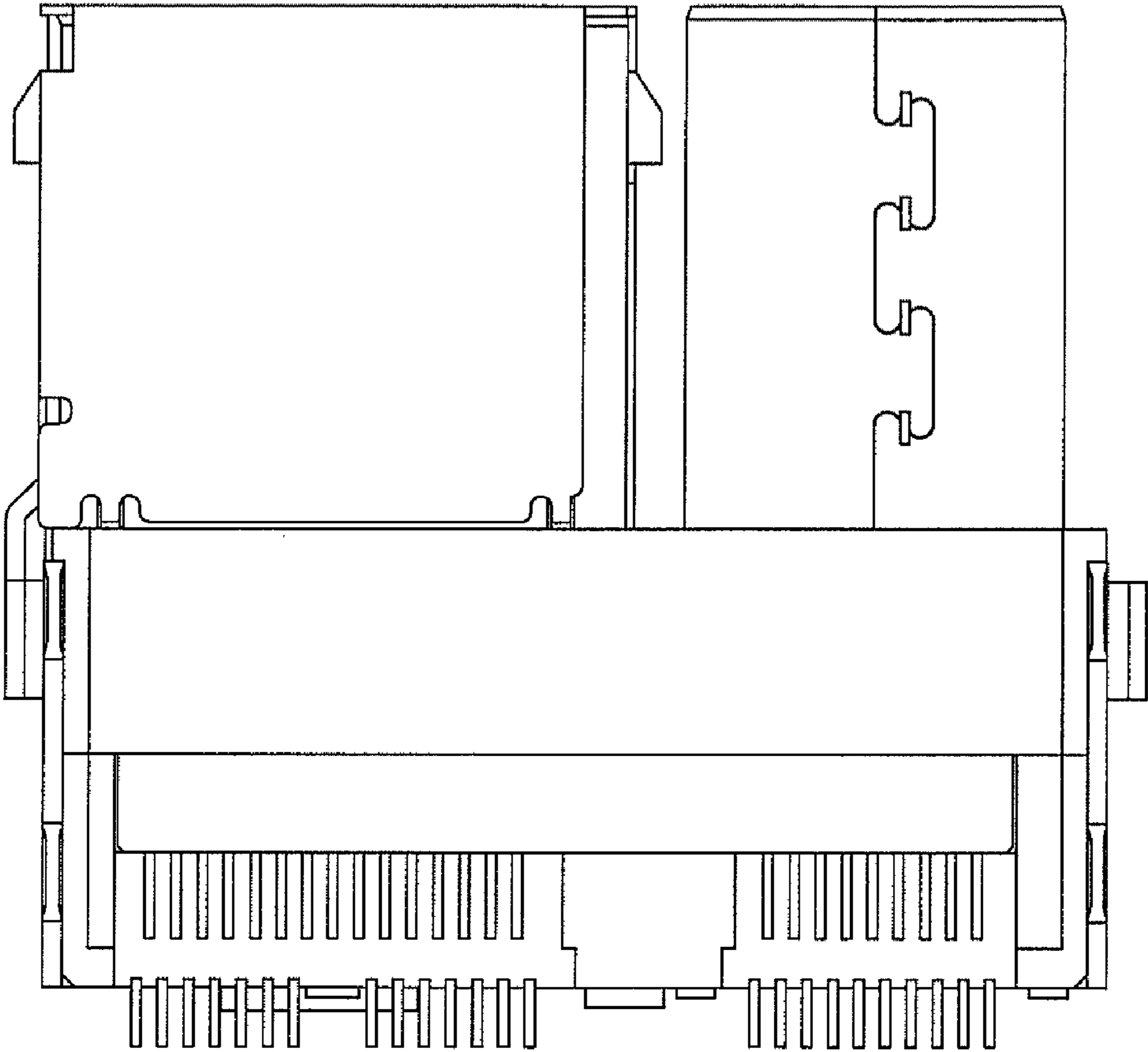


FIG. 5

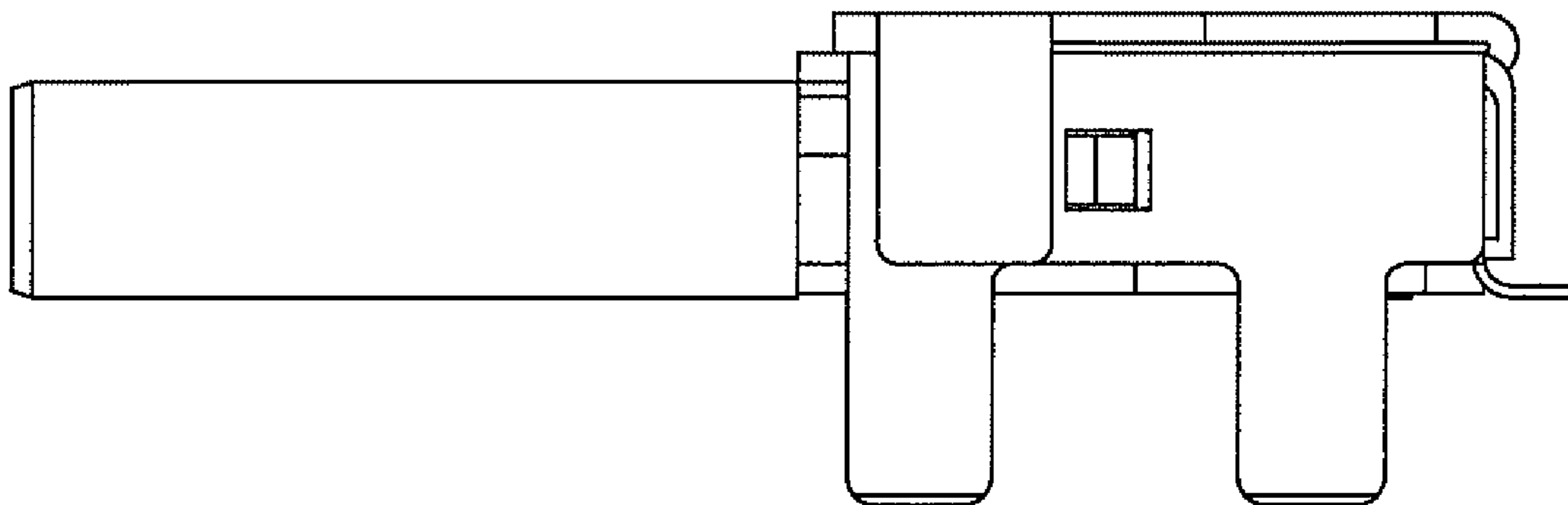


FIG. 6

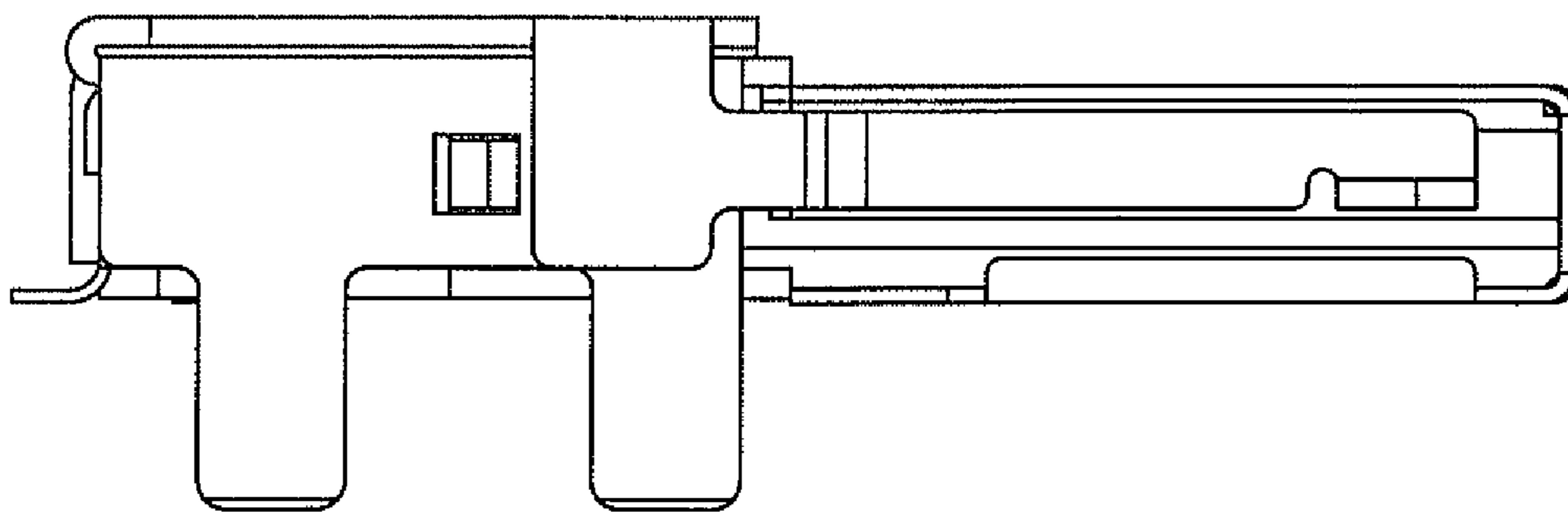


FIG. 7

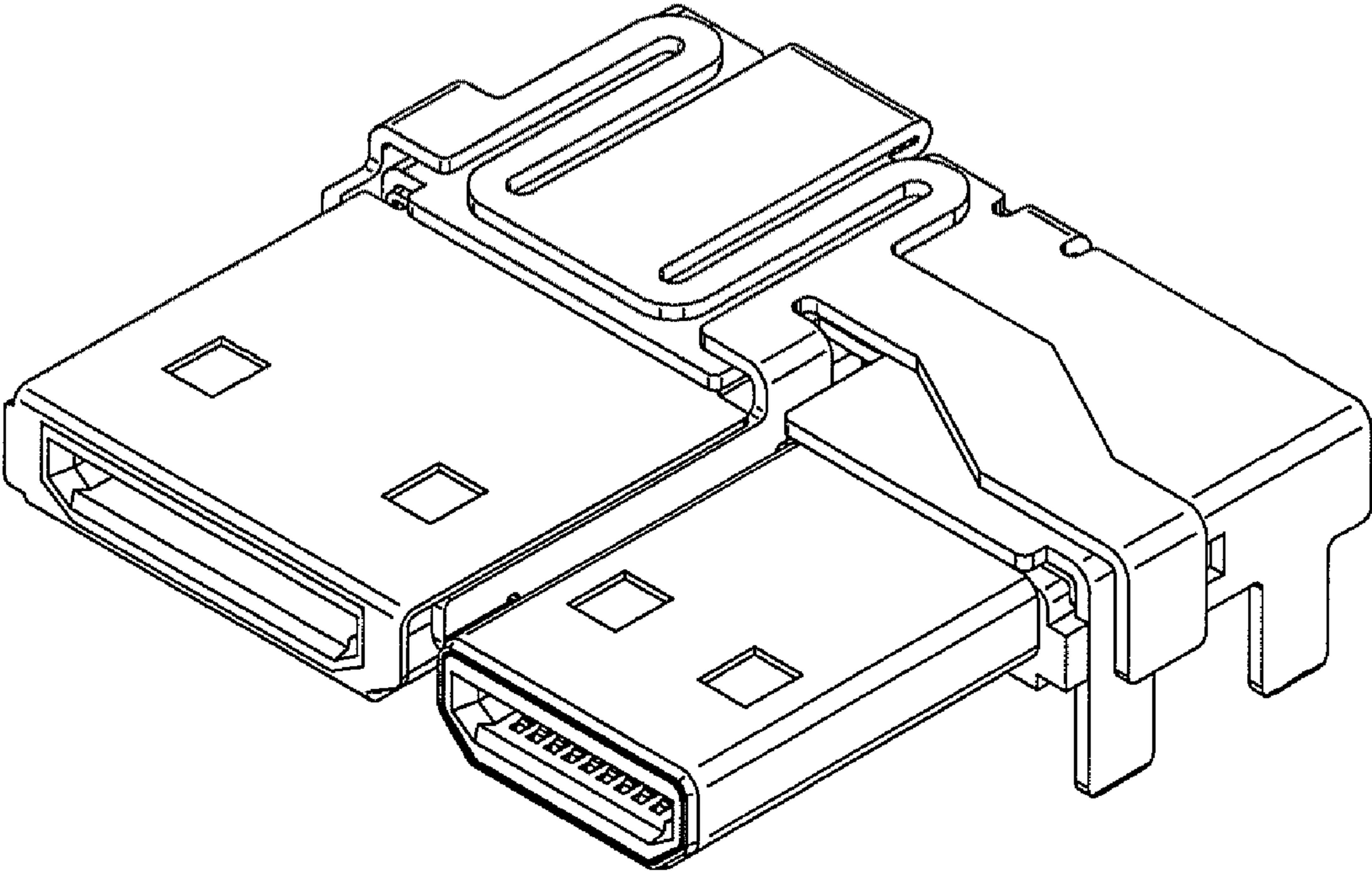




FIG. 8

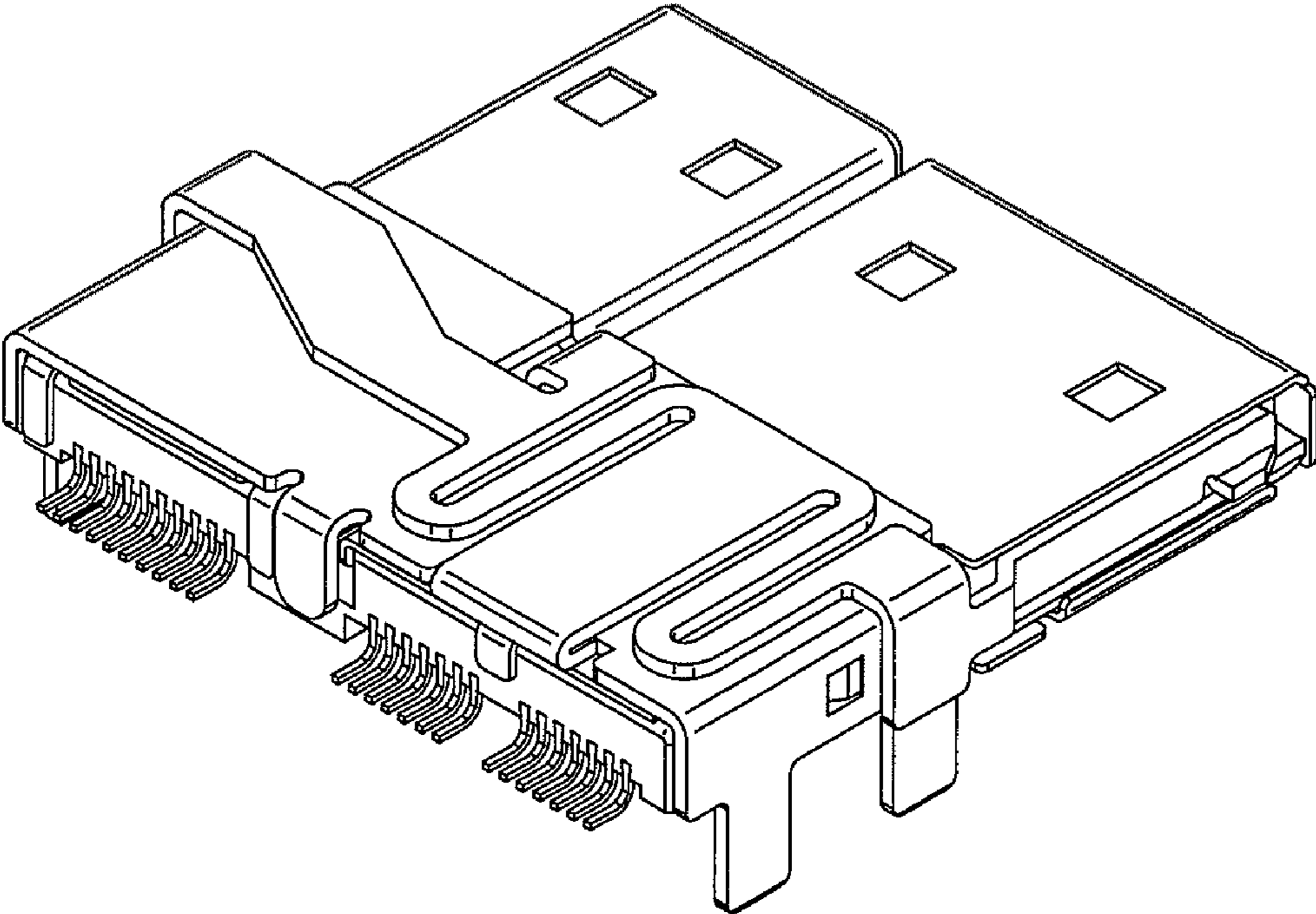


FIG. 9

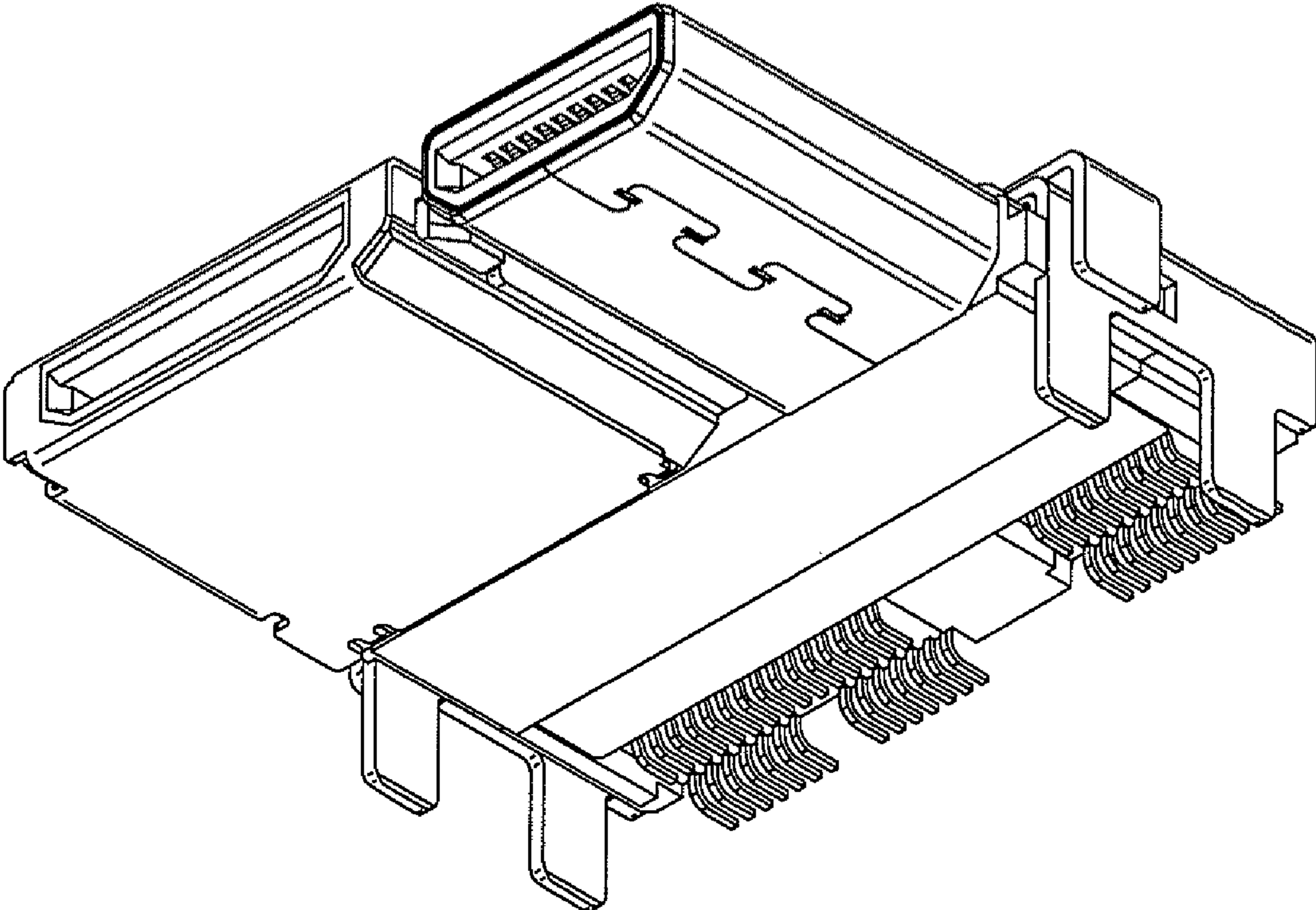


FIG. 10

