

US00D654436S

(12) **United States Design Patent**  
**Cheng**

(10) **Patent No.:** **US D654,436 S**

(45) **Date of Patent:** **\*\* Feb. 21, 2012**

(54) **CHARGER**

(75) Inventor: **Quan-Chang Cheng**, Shenzhen (CN)

(73) Assignee: **Hon Hai Precision Industry Co., Ltd.**,  
Tu-Cheng, New Taipei (TW)

(\*\*) Term: **14 Years**

(21) Appl. No.: **29/390,583**

(22) Filed: **Apr. 27, 2011**

(51) **LOC (9) Cl.** ..... **13-03**

(52) **U.S. Cl.** ..... **D13/144**

(58) **Field of Classification Search** ..... D13/107,  
D13/108, 110, 118, 119, 120, 133, 144, 154,  
D13/184, 199; 320/107-109; 363/13, 146;  
439/300, 620.01, 638, 668-670, 675, 825

See application file for complete search history.

(56) **References Cited**

U.S. PATENT DOCUMENTS

D481,355 S \* 10/2003 Lee ..... D13/108  
D516,533 S \* 3/2006 Cohen et al. .... D14/155  
D641,342 S \* 7/2011 Chang ..... D14/240

\* cited by examiner

*Primary Examiner* — Daniel Bui

(74) *Attorney, Agent, or Firm* — Altis Law Group, Inc.

(57) **CLAIM**

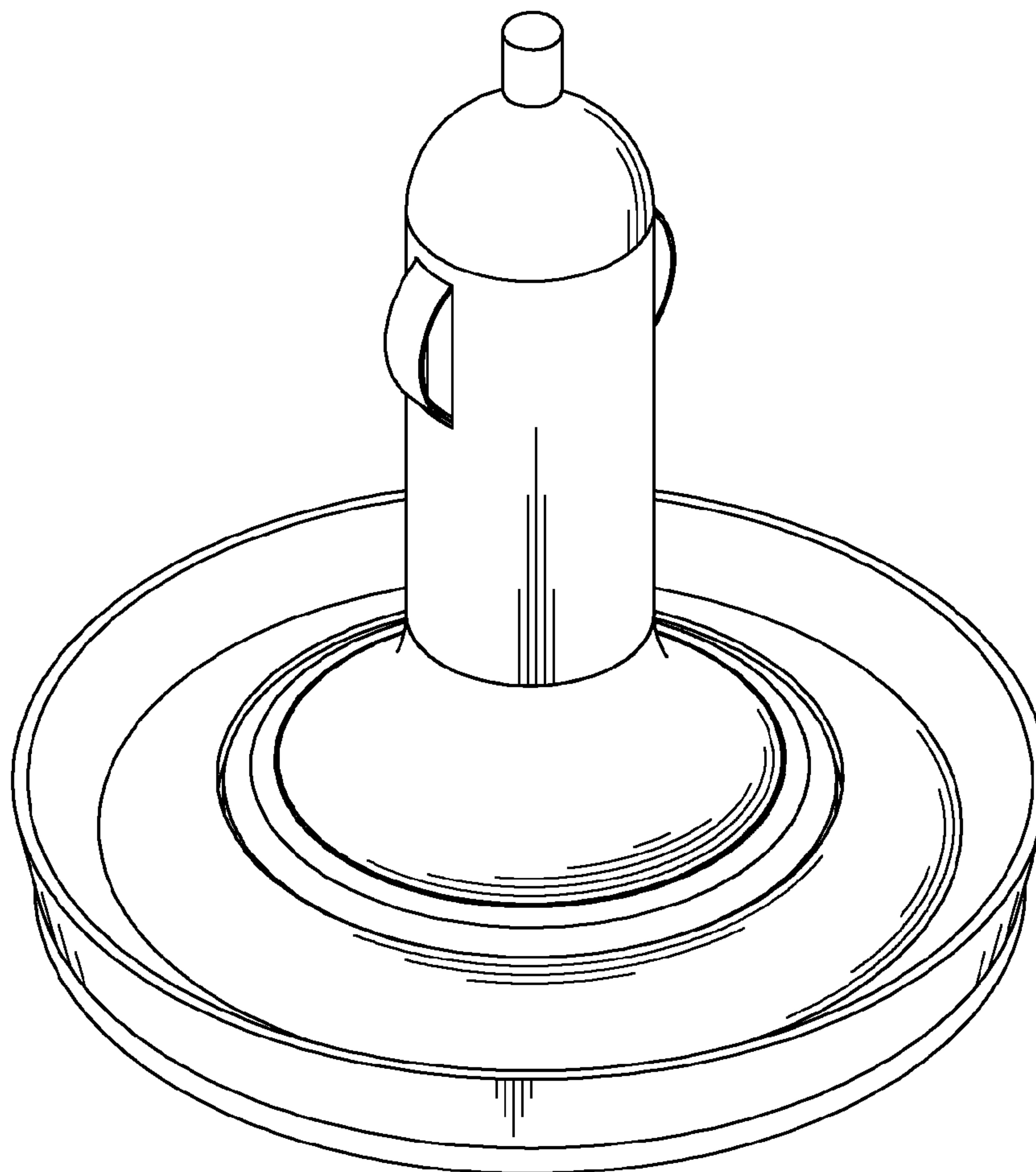
The ornamental design for a charger, as shown and described.

**DESCRIPTION**

FIG. 1 is a perspective view of a charger showing my design;  
FIG. 2 is a front elevational view thereof;  
FIG. 3 is a rear elevational view thereof;  
FIG. 4 is a left side, elevational view thereof;  
FIG. 5 is a right side, elevational view thereof;  
FIG. 6 is a top plan view thereof; and,  
FIG. 7 is a bottom plan view thereof.

The broken lines portion of the figure drawings are included to show unclaimed subject matter only and form no part of the claimed design.

**1 Claim, 7 Drawing Sheets**



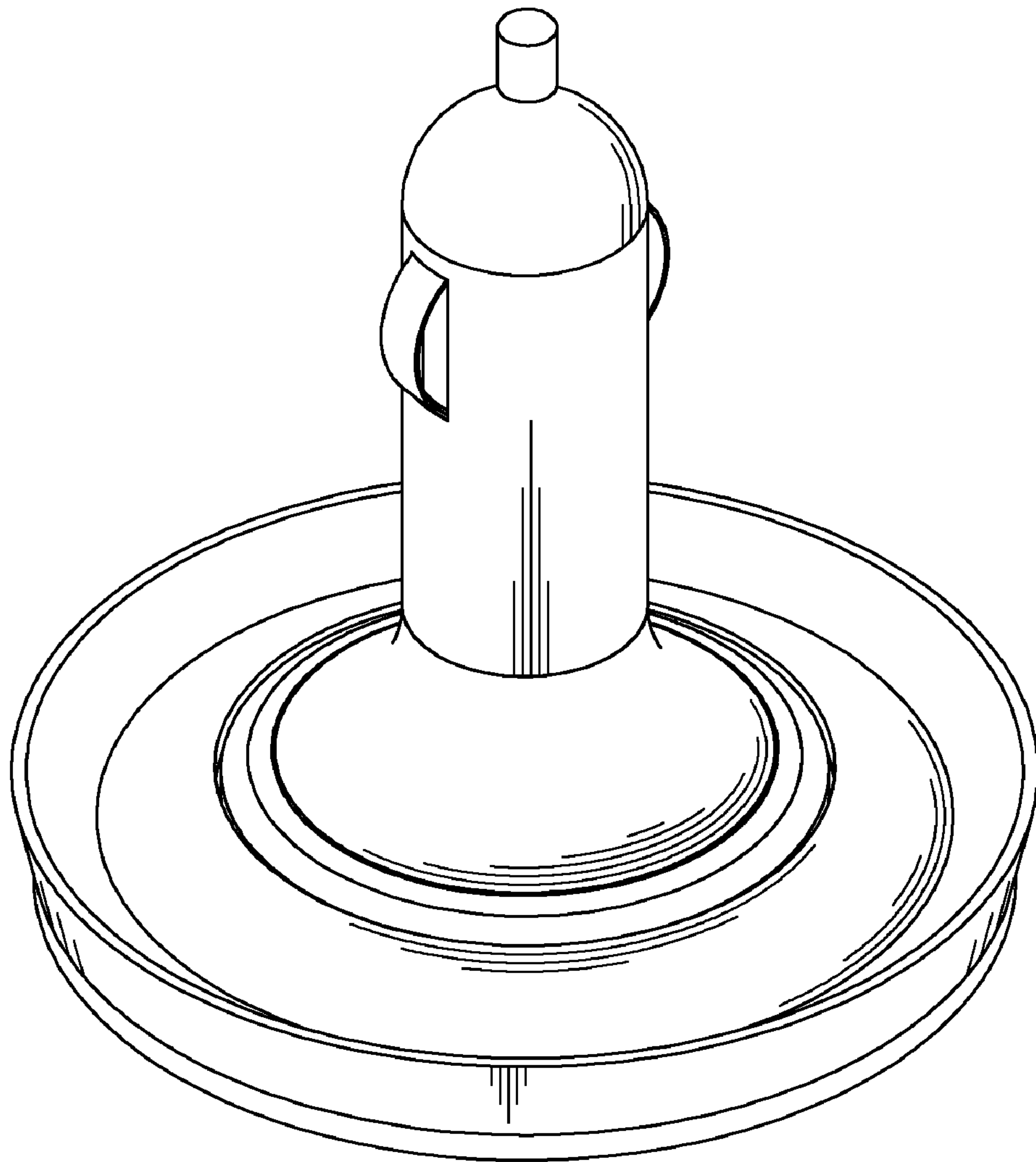


FIG. 1

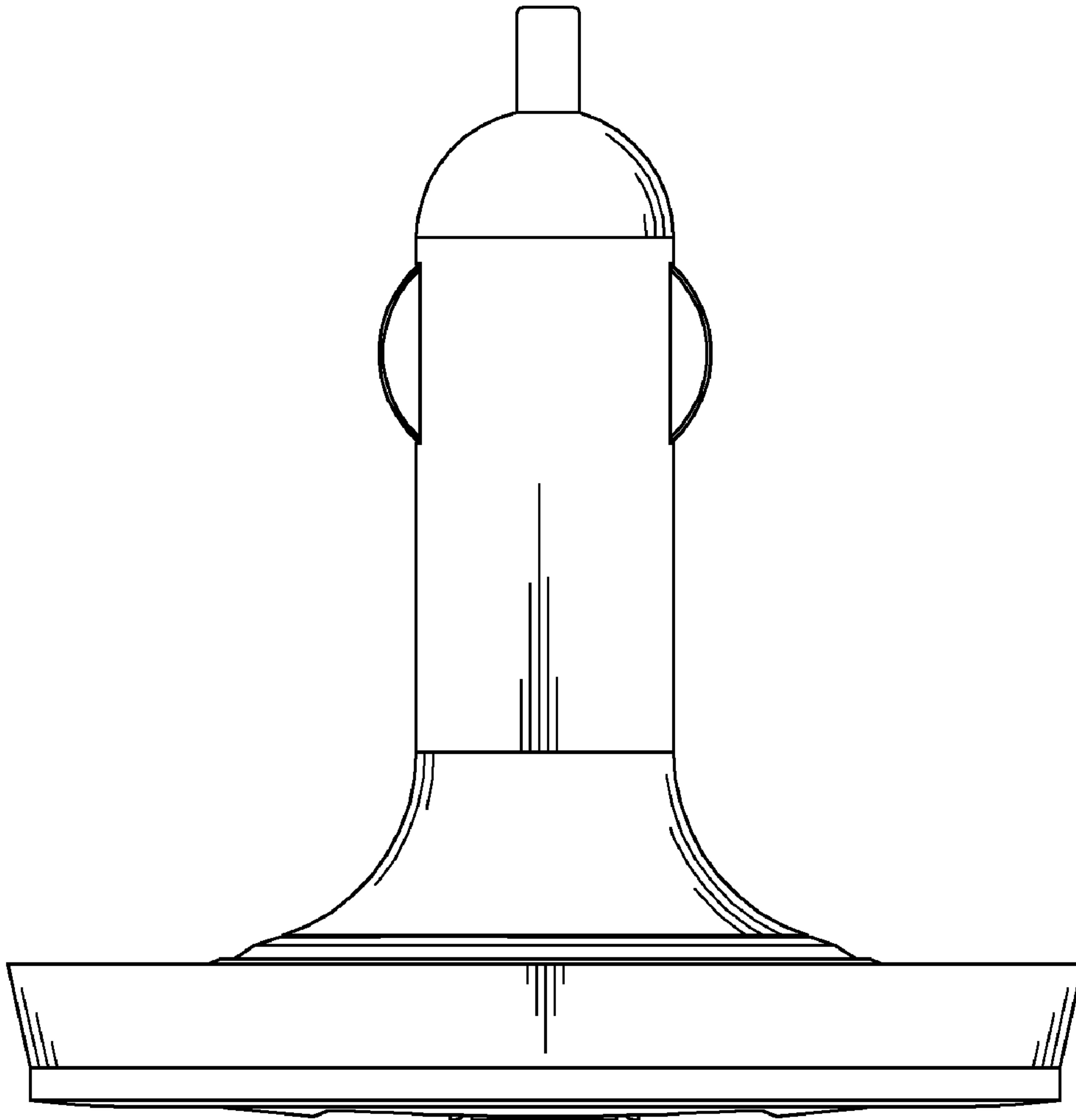


FIG. 2

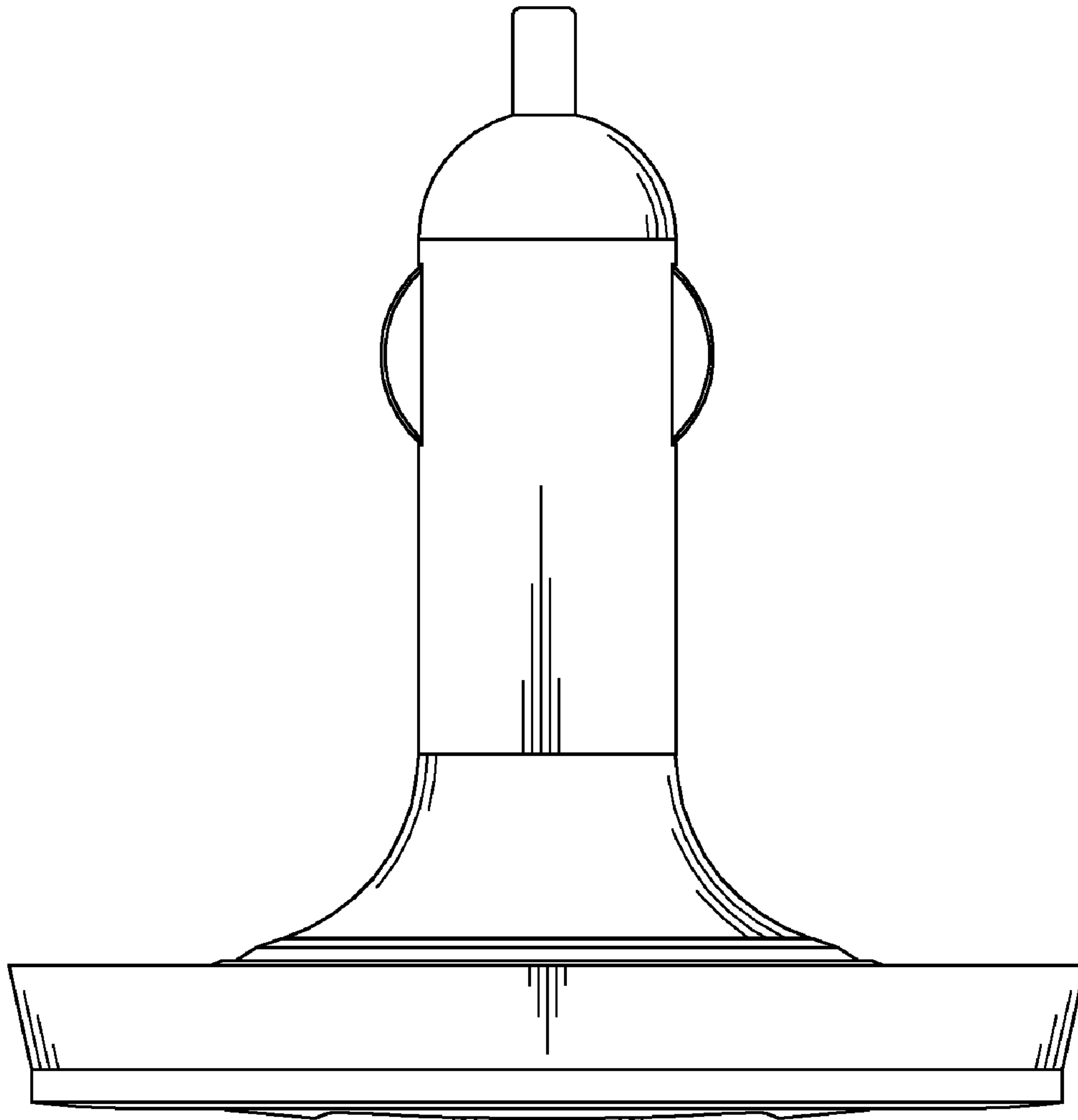


FIG. 3

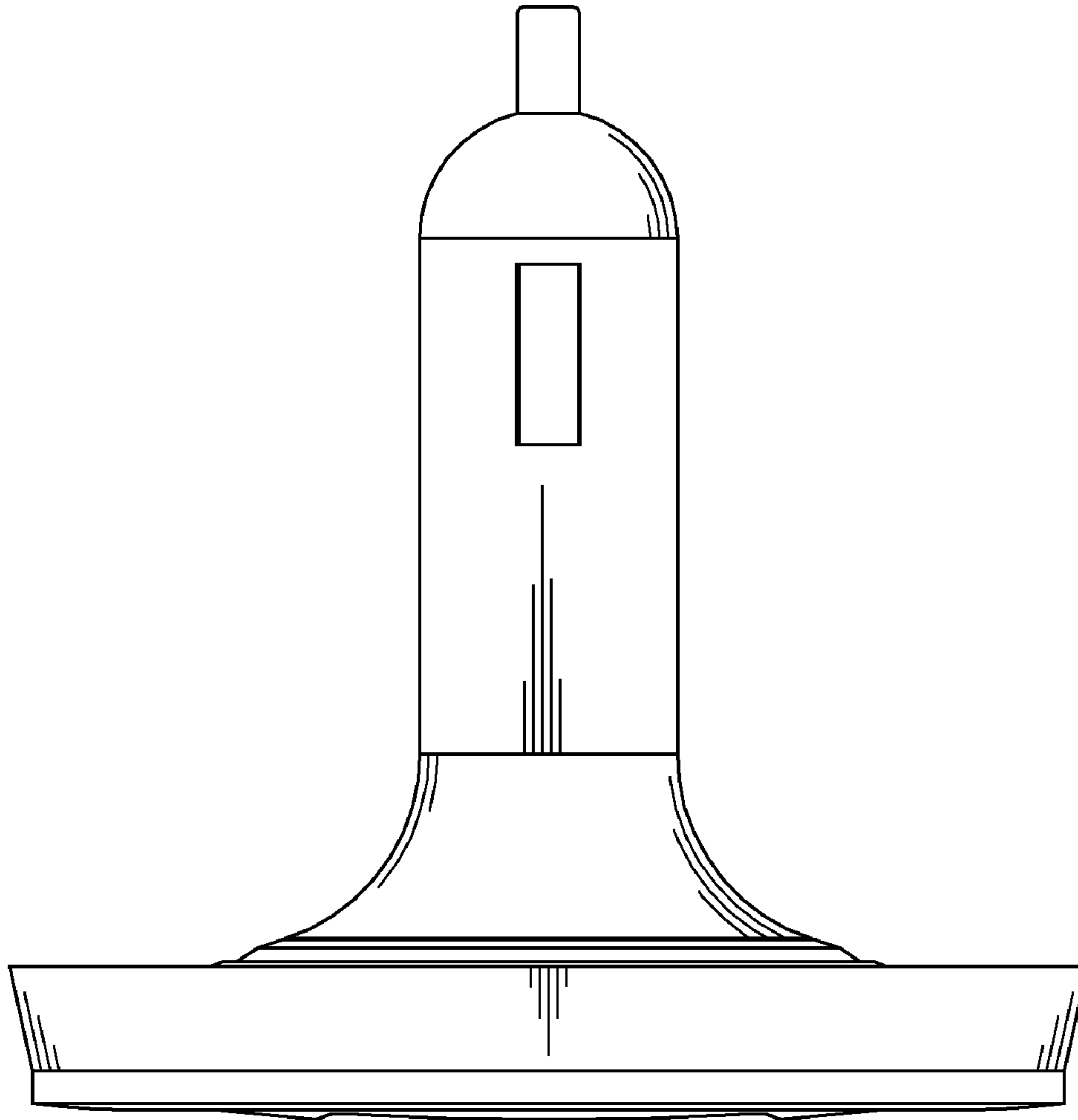


FIG. 4

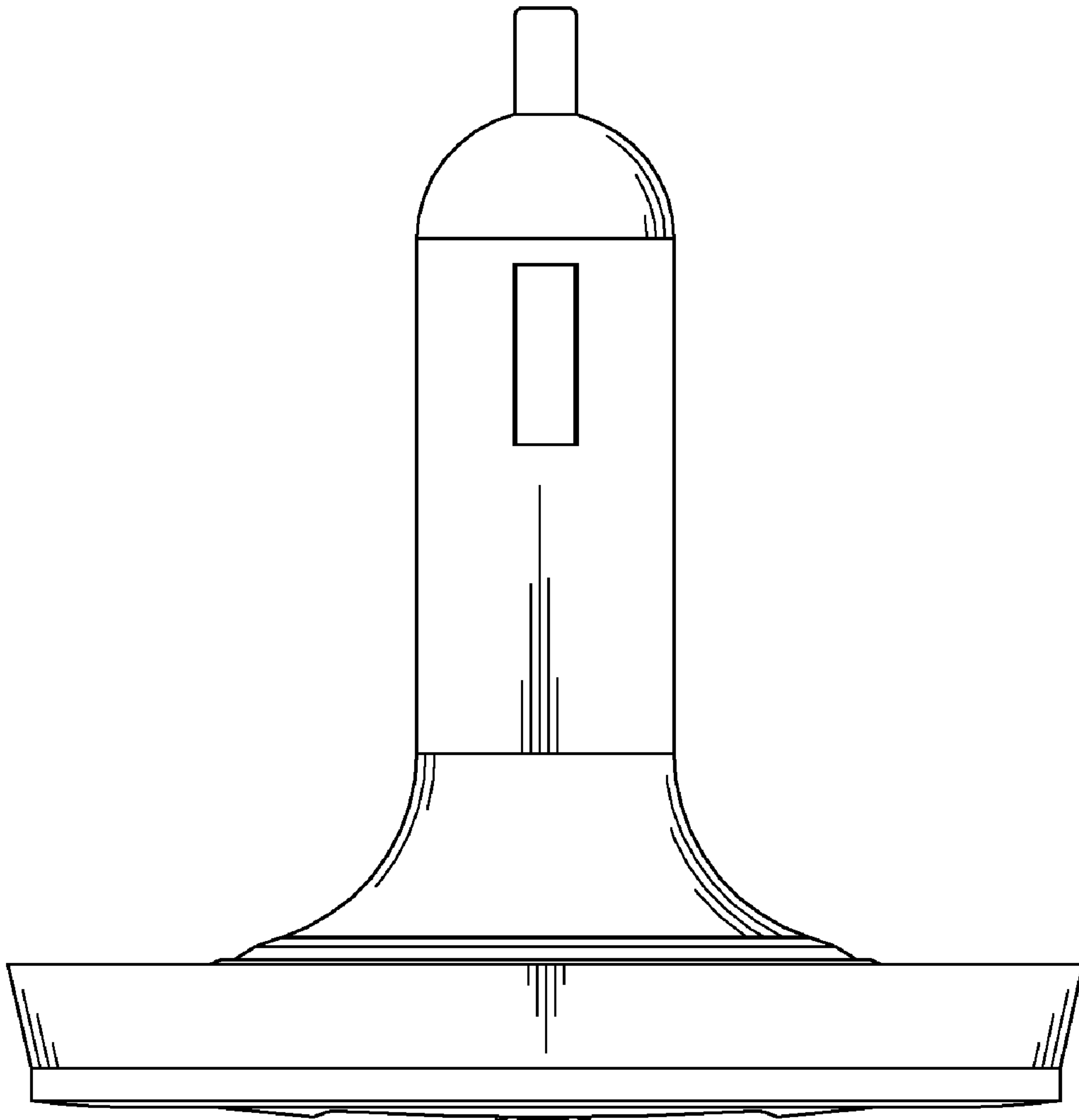


FIG. 5

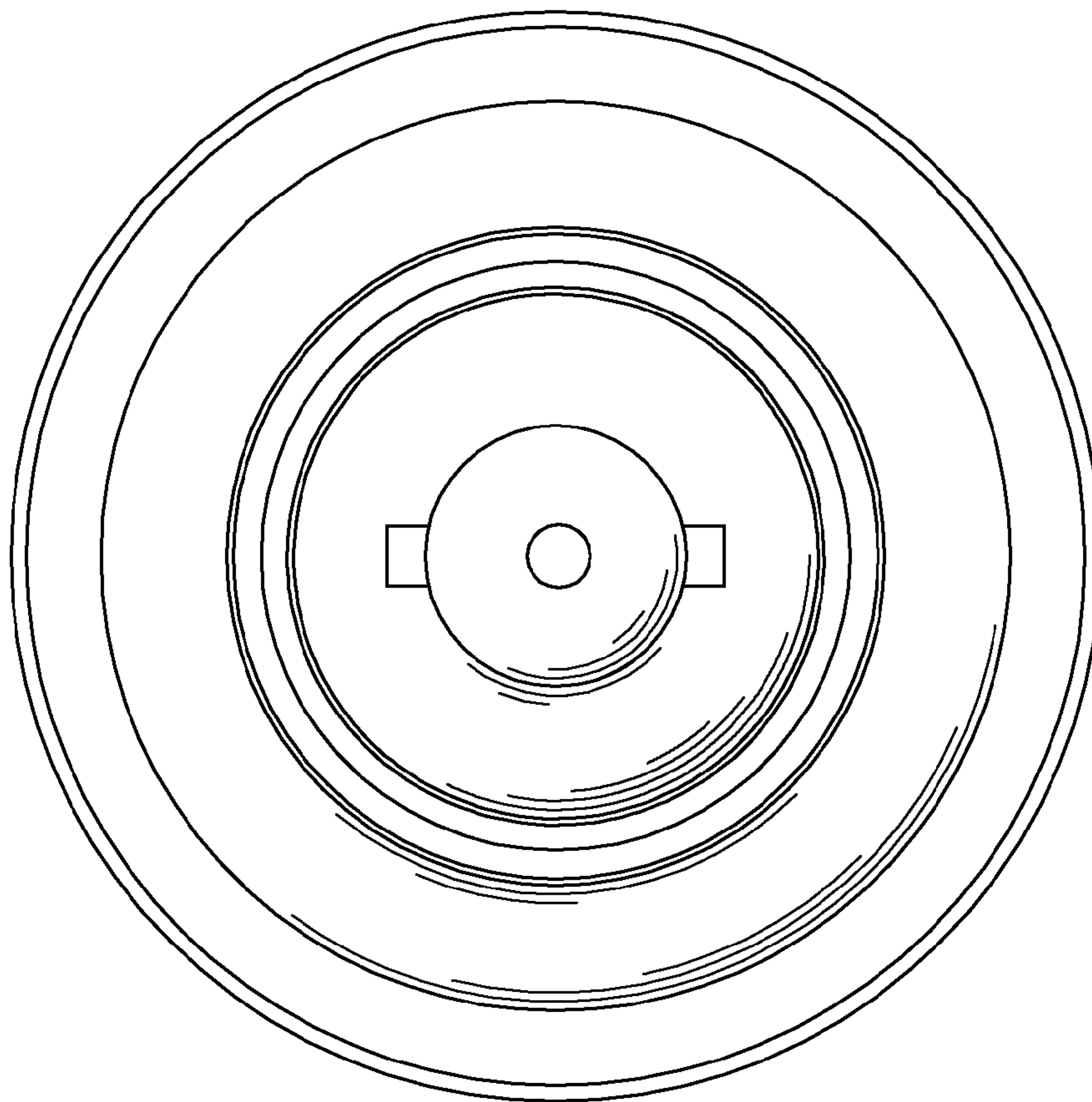


FIG. 6

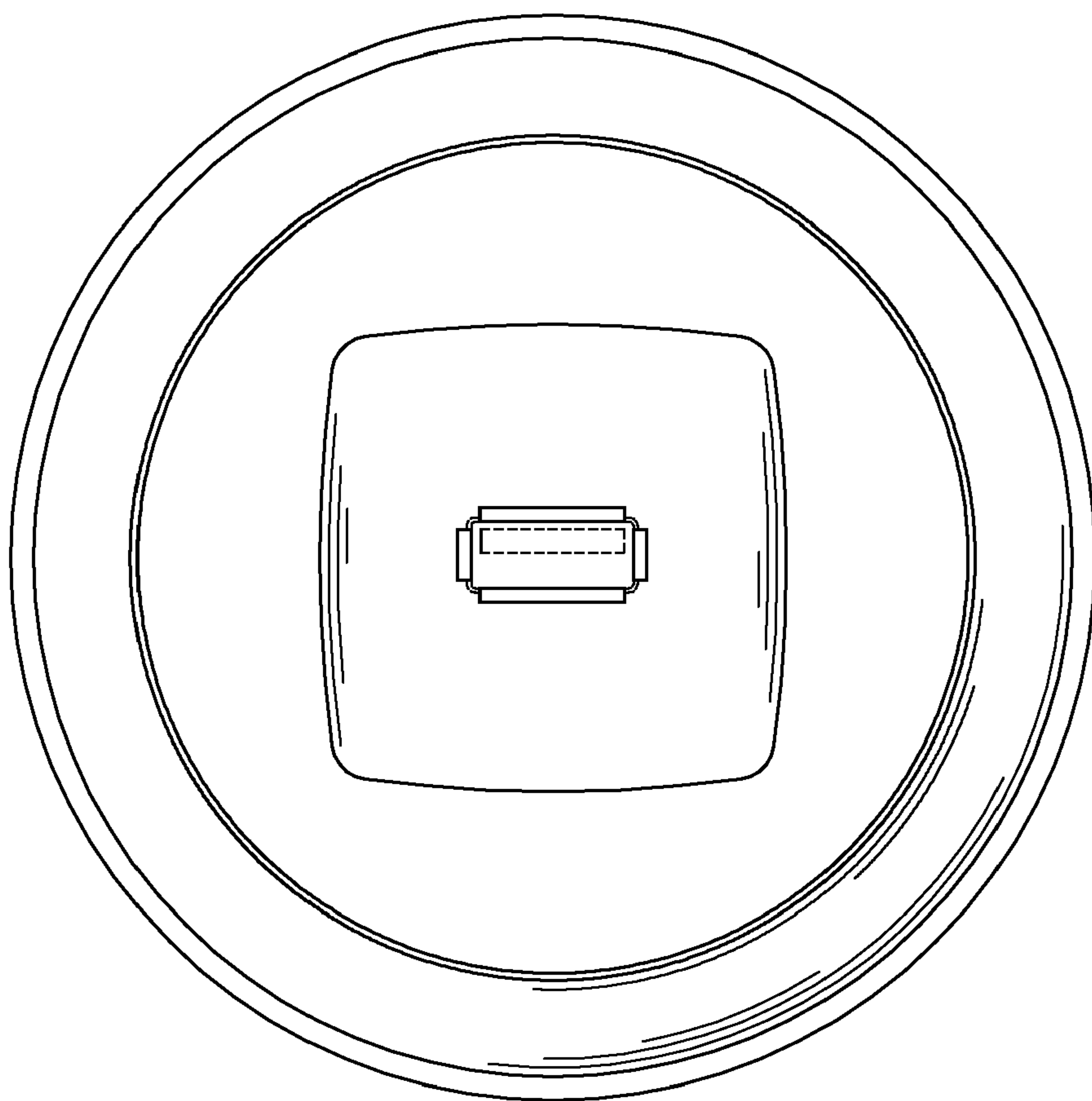


FIG. 7