



US00D654435S

(12) **United States Design Patent**
Lee

(10) **Patent No.:** **US D654,435 S**
(45) **Date of Patent:** **** Feb. 21, 2012**

(54) **OUTLET ADAPTOR**

(75) Inventor: **Chiu-San Lee**, New Taipei (TW)

(73) Assignee: **XYZ Science Co., Ltd.**, New Taipei (TW)

(**) Term: **14 Years**

(21) Appl. No.: **29/391,298**

(22) Filed: **May 6, 2011**

(30) **Foreign Application Priority Data**

Jan. 5, 2011 (TW) 100300043

(51) **LOC (9) Cl.** **13-03**

(52) **U.S. Cl.** **D13/138.2**

(58) **Field of Classification Search** D13/138.1,
D13/138.2, 139.1–139.8, 137.1–137.4, 133,
D13/107, 108, 110, 146, 147, 154, 174, 177;
D8/353, 350; 363/15, 34, 146; 439/93, 105,
439/106, 535, 620.15, 620.21, 620.3, 620.31,
439/907, 908, 919, 650, 651, 652, 653, 654,
439/655, 692; 174/494, 53, 55, 59, 66; 320/114,
320/115; 307/150, 151

See application file for complete search history.

(56) **References Cited**

U.S. PATENT DOCUMENTS

D258,429 S * 3/1981 Buckler D13/138.1
D375,080 S * 10/1996 Sandor et al. D13/138.2

D405,765 S * 2/1999 Yu D13/160
D494,138 S * 8/2004 Adams et al. D13/138.1
D519,079 S * 4/2006 Suckle D13/138.1
D535,947 S * 1/2007 Suckle et al. D13/138.2
D536,303 S * 2/2007 Suckle et al. D13/138.2
D583,316 S * 12/2008 Sade et al. D13/108
D610,992 S * 3/2010 Fahrendorff et al. D13/138.1
D610,993 S * 3/2010 Fahrendorff et al. D13/138.1
D611,409 S * 3/2010 Green et al. D13/110
D617,275 S * 6/2010 Fahrendorff et al. D13/138.1
D620,889 S * 8/2010 Smith et al. D13/138.2

* cited by examiner

Primary Examiner — Angela J Lee

(74) *Attorney, Agent, or Firm* — Leong C. Lei

(57) **CLAIM**

The ornamental design for an outlet adaptor, as shown and described.

DESCRIPTION

FIG. 1 is a front perspective view of an outlet adaptor showing my new design;

FIG. 2 is a front elevational view thereof;

FIG. 3 is a rear elevational view thereof;

FIG. 4 is a left elevational view thereof;

FIG. 5 is a right elevational view thereof;

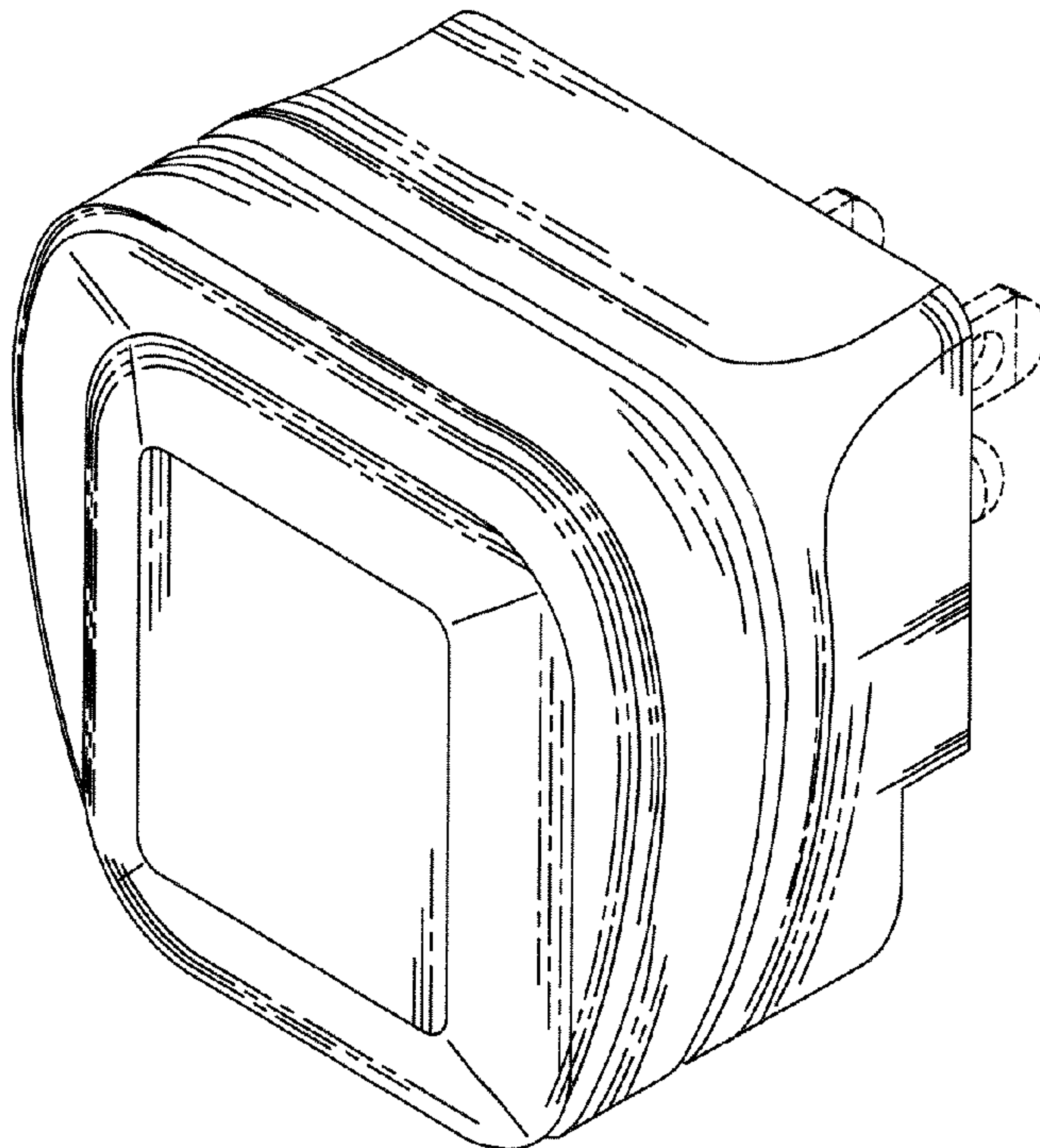
FIG. 6 is a top plan view thereof;

FIG. 7 is a bottom plan view thereof; and,

FIG. 8 is another perspective view thereof, but shown with plug prongs in broken lines.

The broken lines shown in FIG. 8 are included for environmental purposes only and form no part of the claimed design.

1 Claim, 8 Drawing Sheets



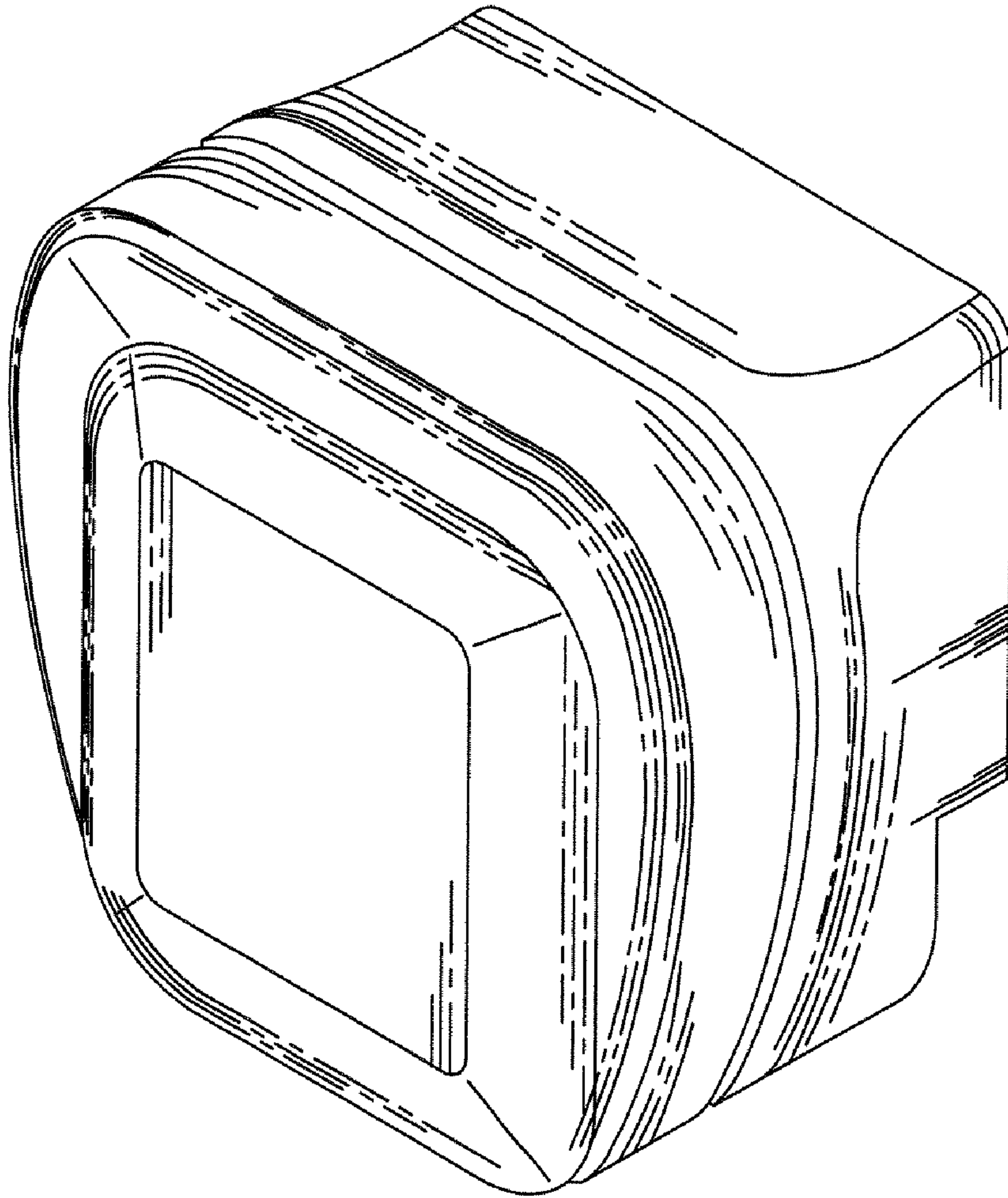


FIG. 1

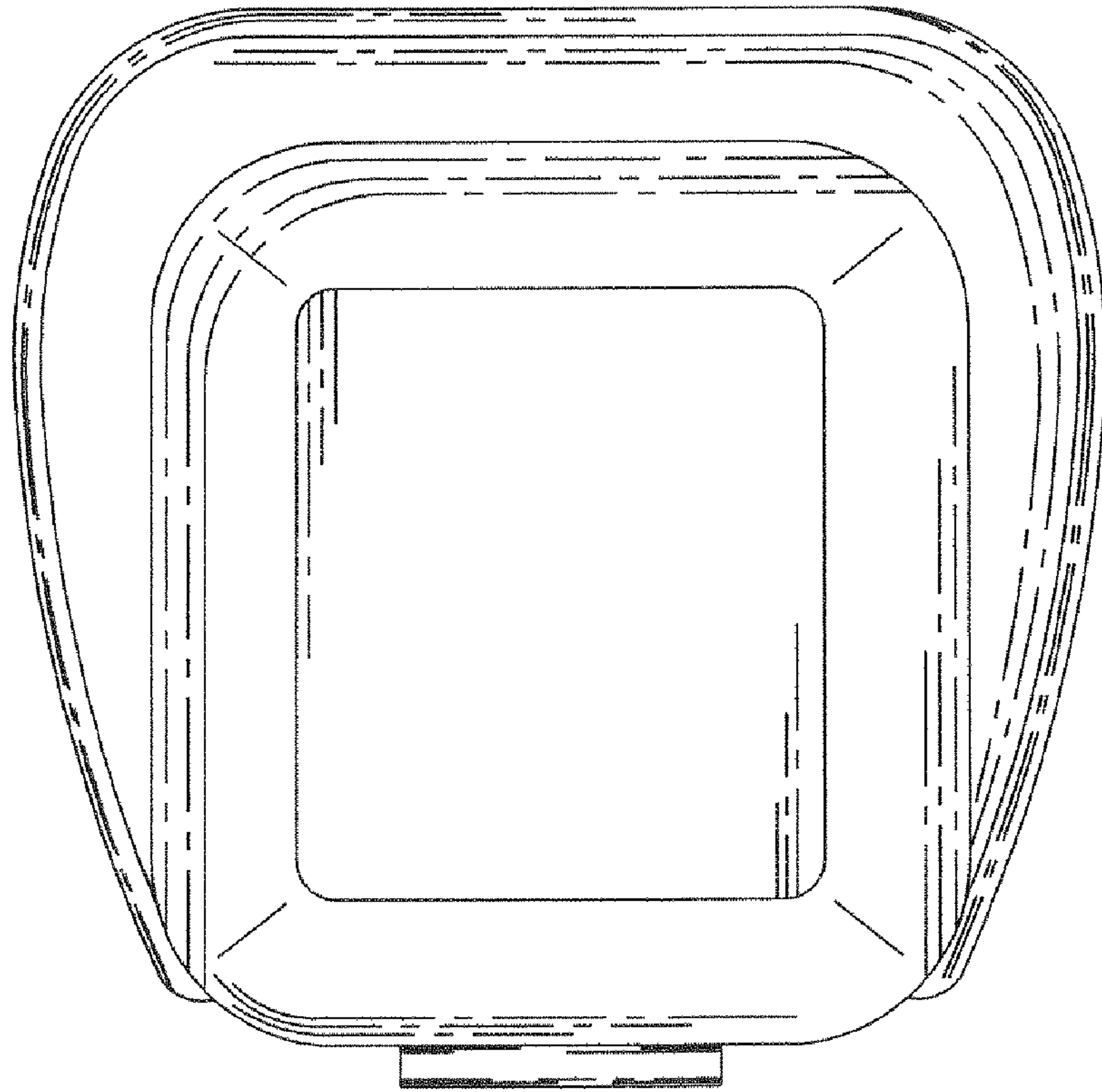


FIG.2

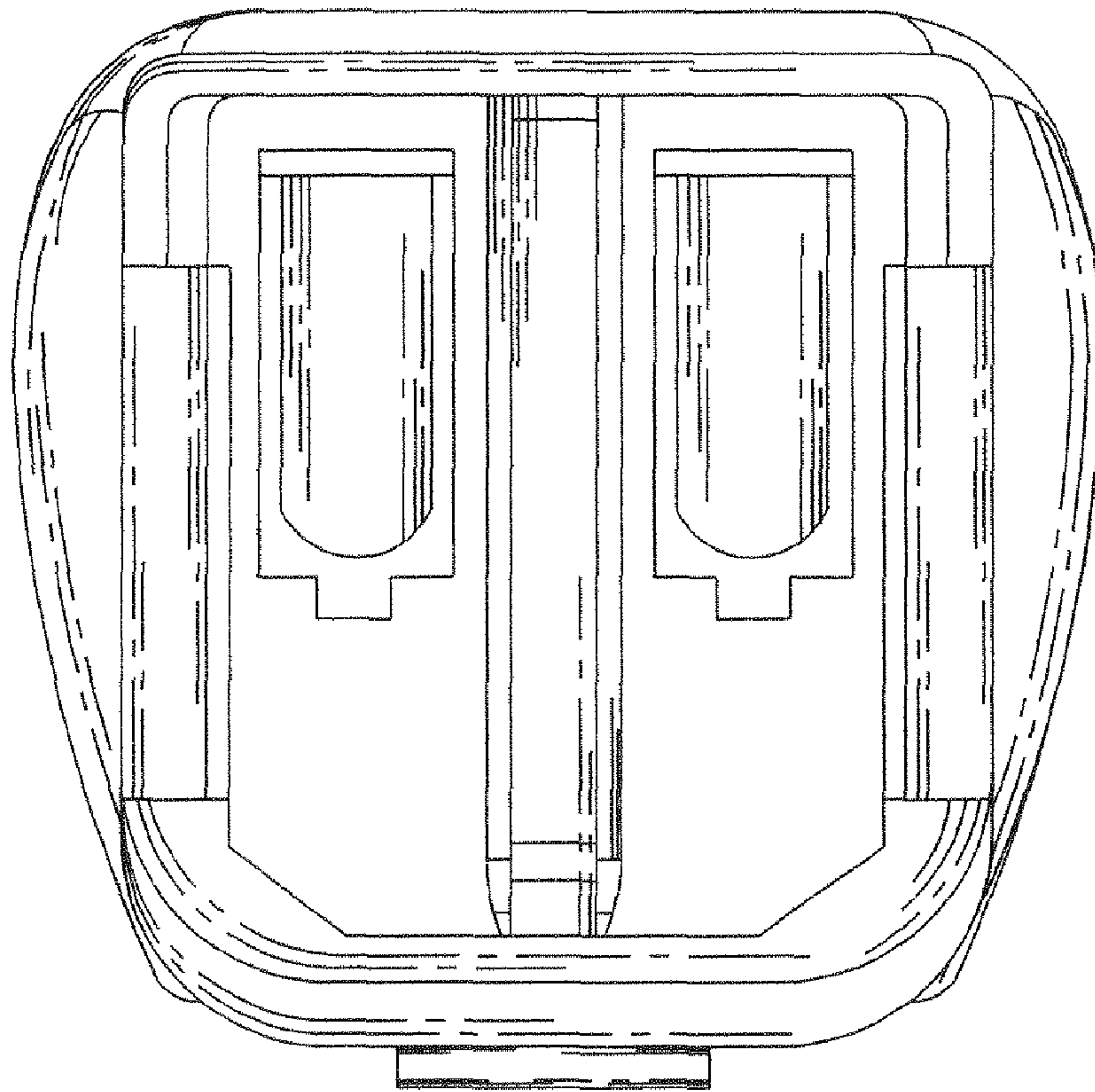


FIG.3

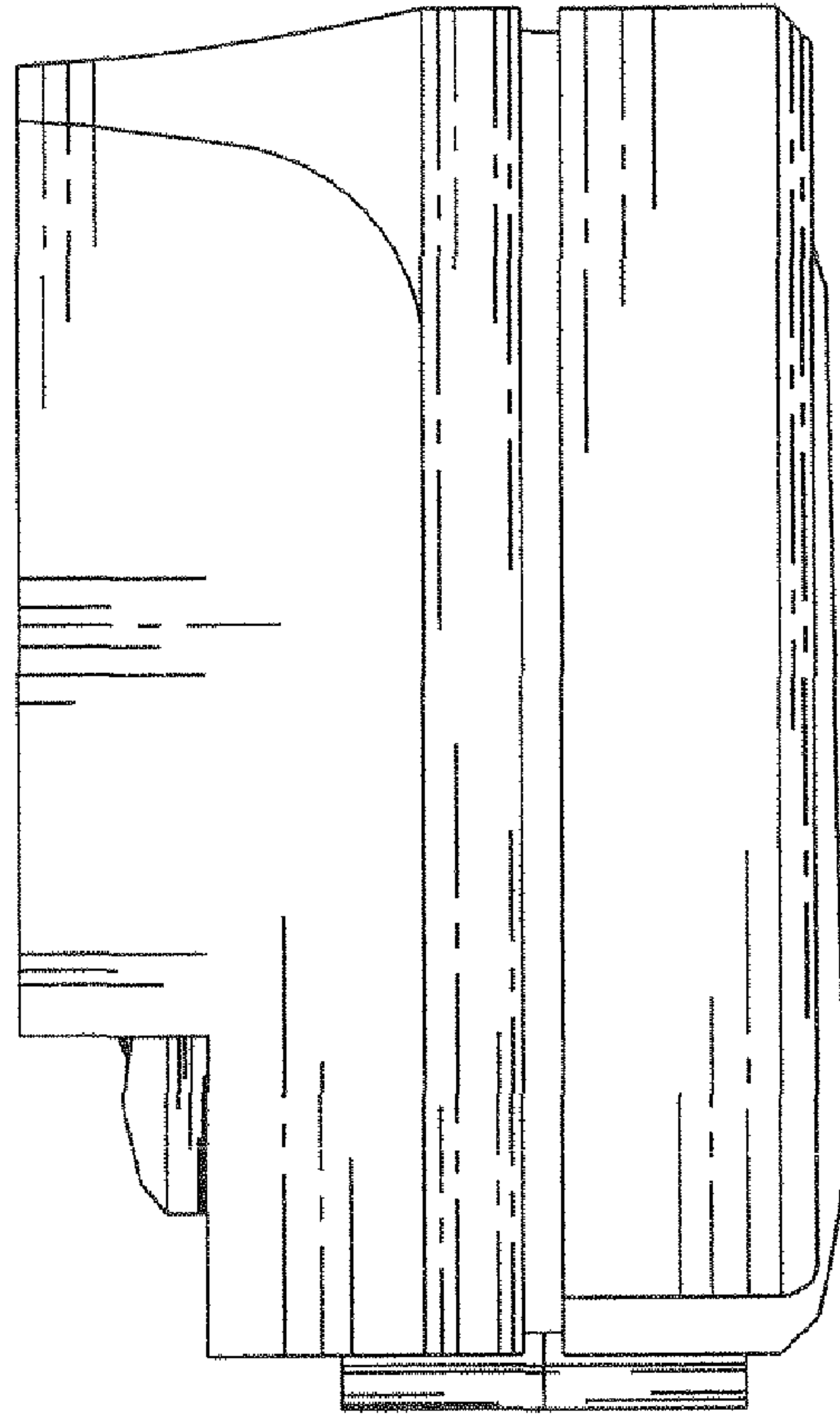


FIG.4

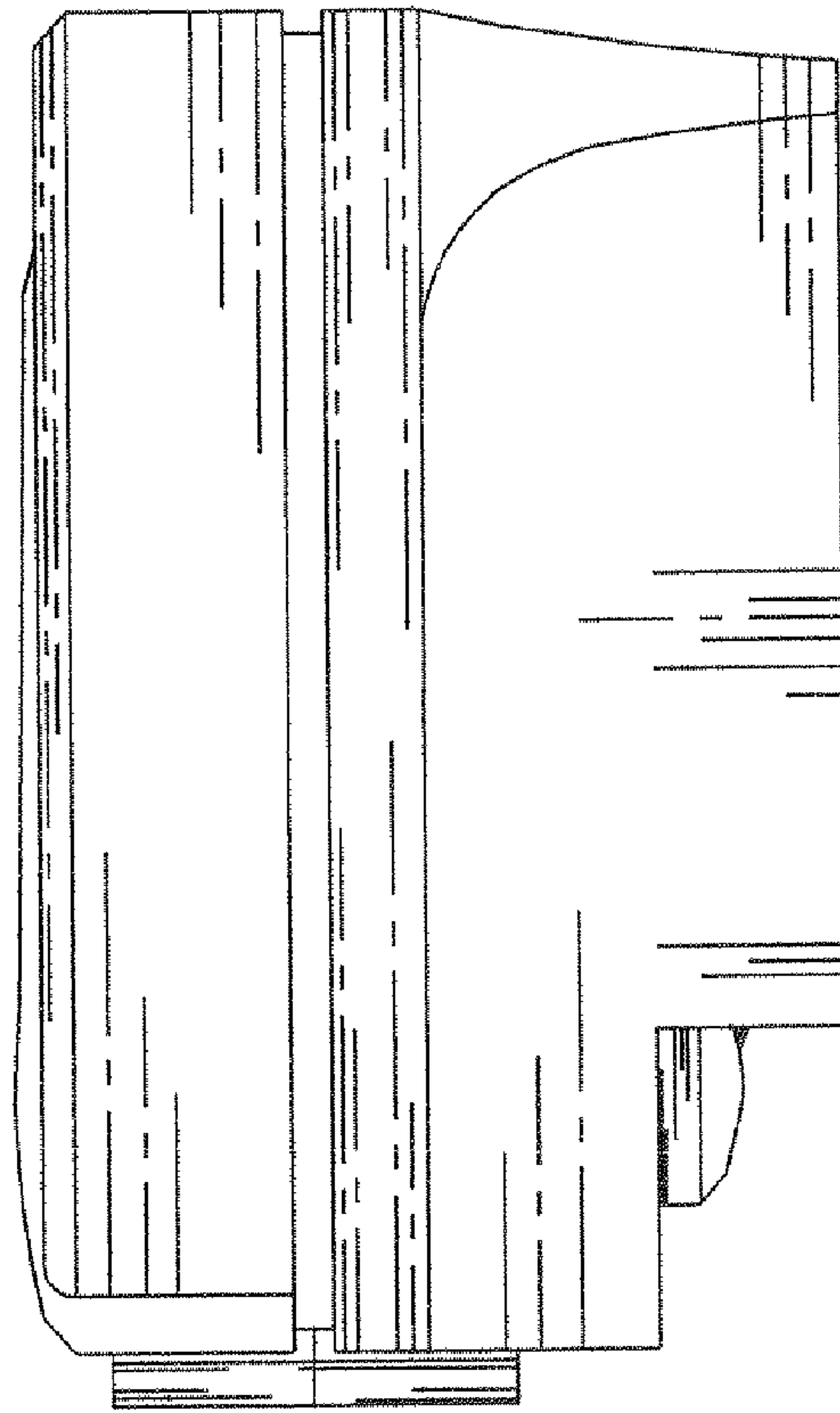


FIG. 5

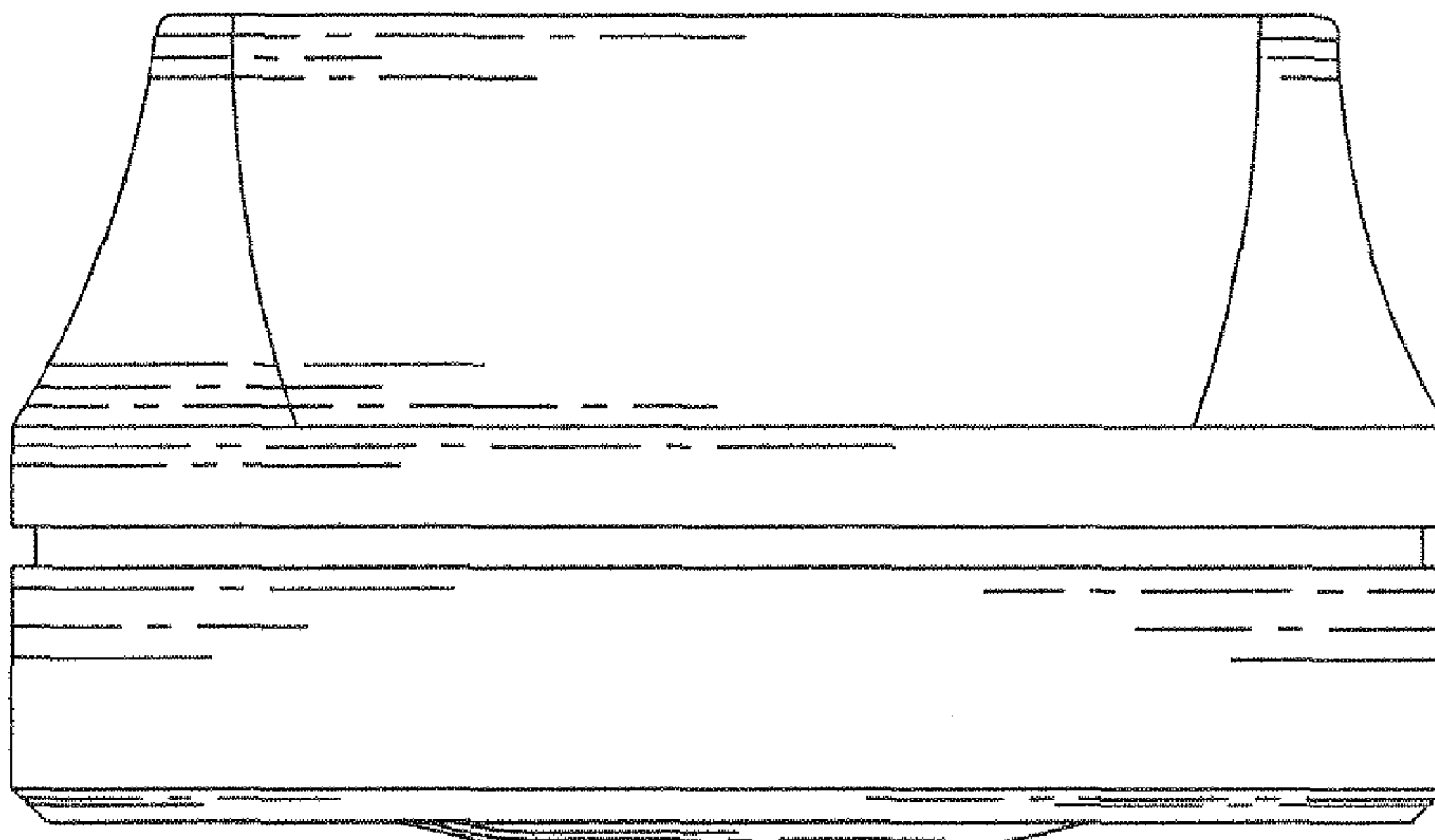


FIG.6

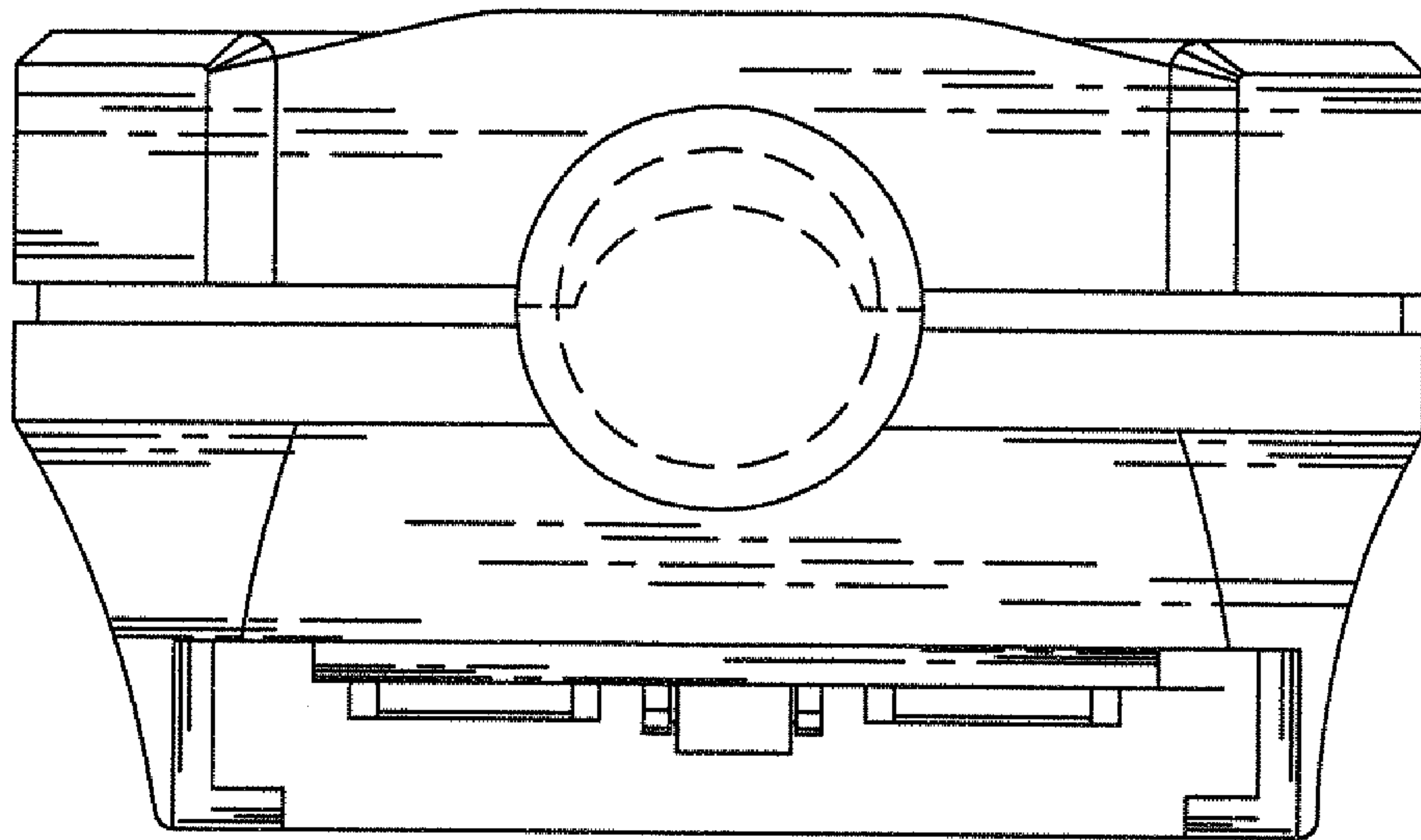


FIG. 7

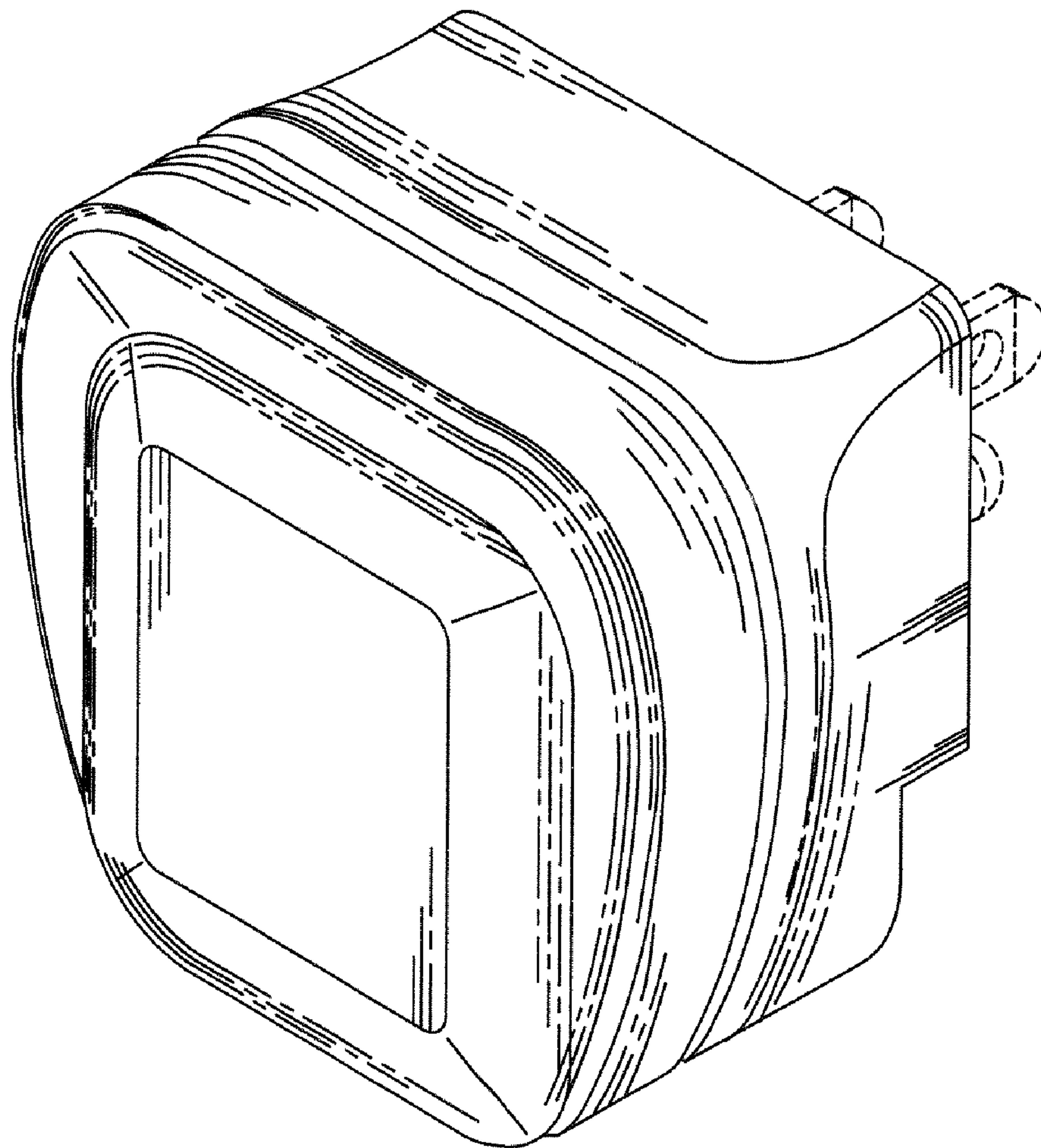


FIG. 8