



US00D654432S

(12) **United States Design Patent**  
**Brookshire et al.**

(10) **Patent No.:** **US D654,432 S**

(45) **Date of Patent:** **\*\* Feb. 21, 2012**

(54) **POWER DEVICE**

(75) Inventors: **Kyle Brookshire**, Belmont, MA (US);  
**Meng-Chang Liu**, Puli Township,  
Nantou County (TW); **Michael**  
**Tinstman**, Malden, MA (US)

(73) Assignee: **American Power Conversion**  
**Corporation**, West Kingston, RI (US)

(\*\*) Term: **14 Years**

(21) Appl. No.: **29/385,708**

(22) Filed: **Feb. 18, 2011**

(51) **LOC (9) Cl.** ..... **13-02**

(52) **U.S. Cl.** ..... **D13/110**

(58) **Field of Classification Search** ..... D13/110,  
D13/107, 108, 123, 133, 137.1, 137.2, 137.4,  
D13/139.6, 139.7, 139.8, 199; 174/53, 54,  
174/59, 61; 307/150, 151; 320/111, 114;  
363/140, 142, 143, 146; 439/105, 107, 166,  
439/171–173, 218, 518, 650–652, 692, 956;  
200/51 R, 51.04, 51.06, 51.16; 361/166  
See application file for complete search history.

(56) **References Cited**

**U.S. PATENT DOCUMENTS**

D314,183 S	1/1991	Wong	
D339,101 S	9/1993	Delamoreaux et al.	
D352,273 S	11/1994	Fladung	
D354,731 S	1/1995	Lee	
5,424,903 A *	6/1995	Schreiber	361/166
D381,317 S	7/1997	Yu	
D447,119 S *	8/2001	Lee	D13/139.8
6,329,616 B1 *	12/2001	Lee	200/51.03
D489,685 S	5/2004	Yu	
D490,777 S	6/2004	Yu	
6,750,410 B2	6/2004	Lee	
D516,027 S *	2/2006	Suckle et al.	D13/110
D542,221 S *	5/2007	Hriscu et al.	D13/110
D548,180 S *	8/2007	Krieger et al.	D13/110
D554,584 S *	11/2007	Feldman et al.	D13/110
D556,683 S *	12/2007	Bonanno	D13/110
D556,686 S *	12/2007	Matsuo et al.	D13/110
D558,143 S *	12/2007	Hsu	D13/110

D561,093 S *	2/2008	Sween et al.	D13/110
D561,094 S *	2/2008	Sween et al.	D13/110
D564,451 S *	3/2008	Fornino	D13/139.8

**FOREIGN PATENT DOCUMENTS**

CN	2886878	Y	4/2007
CN	2886879	Y	4/2007
JP	2005056758	A	3/2005

**OTHER PUBLICATIONS**

International Search Report for PCT/CN2011/071808 mailed Sep. 1, 2011.

\* cited by examiner

*Primary Examiner* — Derrick Holland

(74) *Attorney, Agent, or Firm* — Lando & Anastasi, LLP

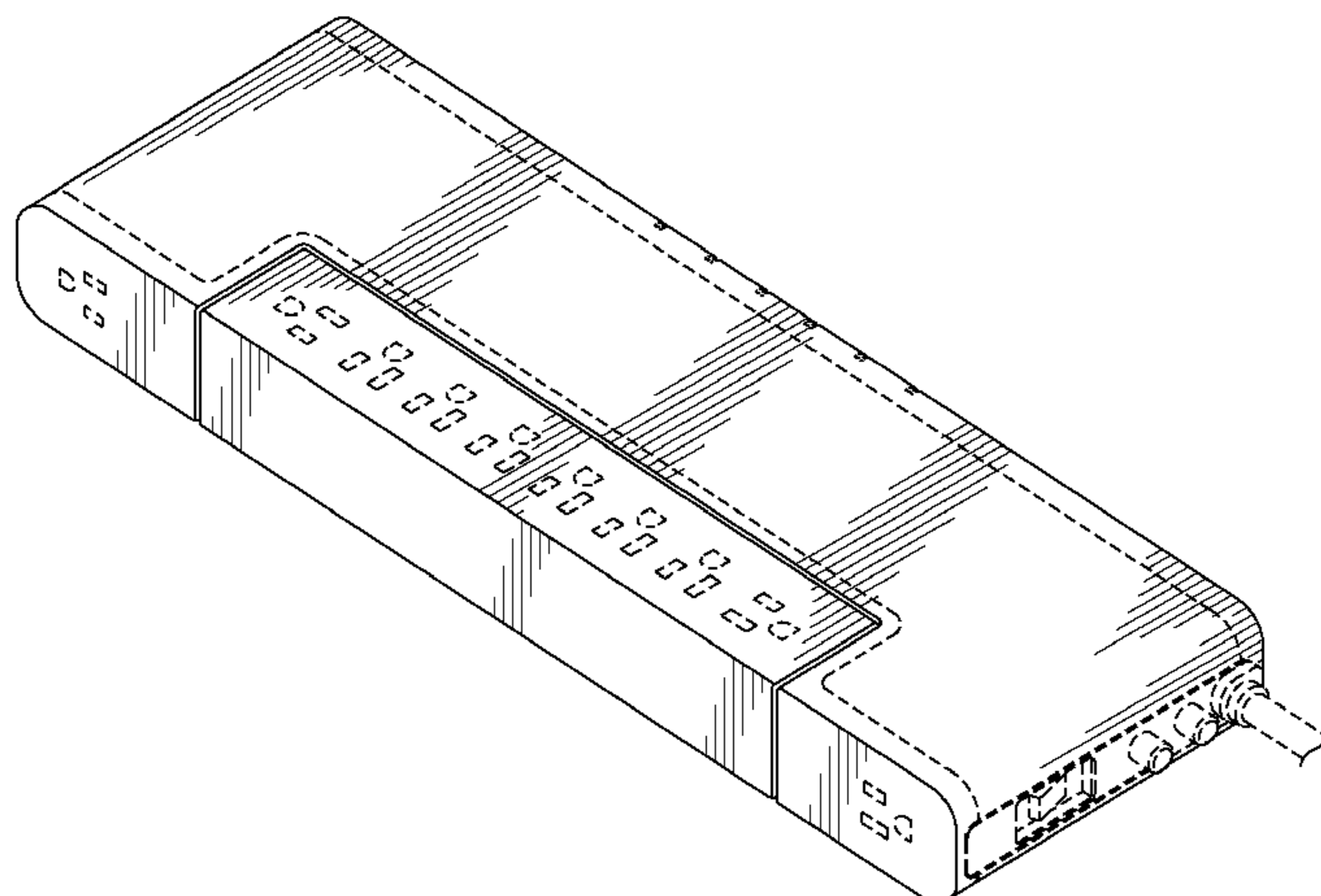
(57) **CLAIM**

The ornamental design for a power device, as shown and described.

**DESCRIPTION**

FIG. 1 is a perspective view of a power device design of a first embodiment of the disclosure;  
 FIG. 2 is a top plan view thereof;  
 FIG. 3 is a bottom plan view thereof;  
 FIG. 4 is a front elevational view thereof;  
 FIG. 5 is a rear elevational view thereof;  
 FIG. 6 is a right side elevational view thereof;  
 FIG. 7 is a left side elevational view thereof;  
 FIG. 8 is a perspective view thereof, showing the rotating outlet in an alternate position;  
 FIG. 9 is a perspective view of a power device design of a second embodiment of the disclosure;  
 FIG. 10 is a top plan view thereof;  
 FIG. 11 is a bottom plan view thereof;  
 FIG. 12 is a front elevational view thereof;  
 FIG. 13 is a rear elevational view thereof;  
 FIG. 14 is a right side elevational view thereof;  
 FIG. 15 is a left side elevation view thereof; and,  
 FIG. 16 is a perspective view thereof, showing the rotating outlet in an alternate position.  
 The broken lines shown represent unclaimed subject matter and form no part of the claimed design.

**1 Claim, 8 Drawing Sheets**



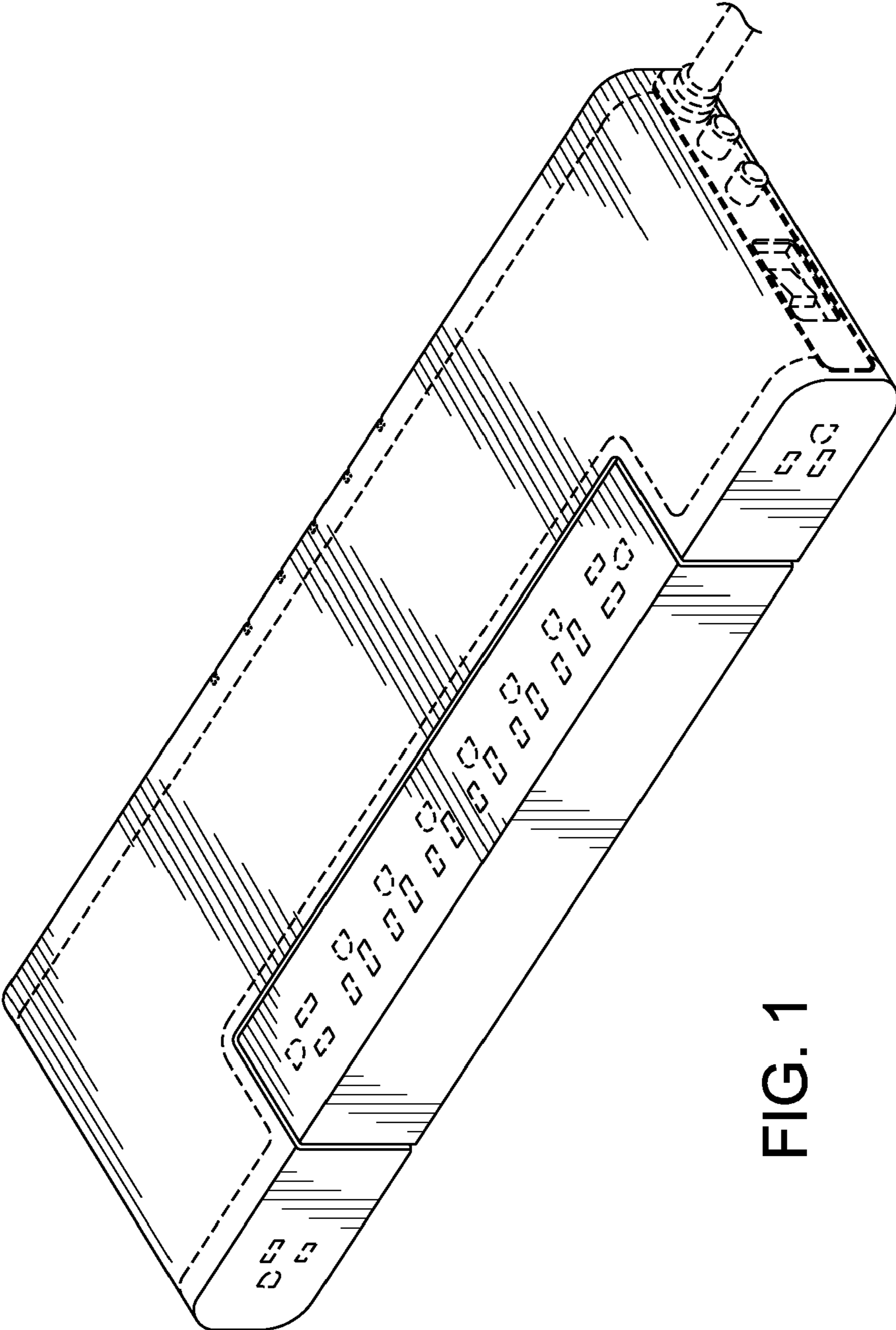


FIG. 1

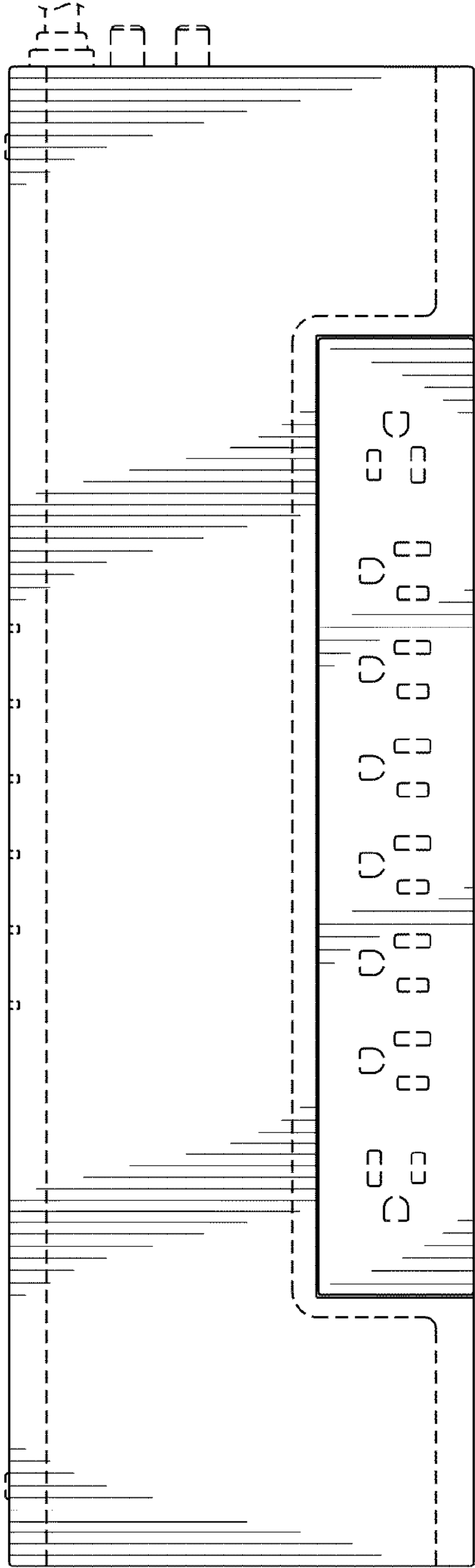


FIG. 2

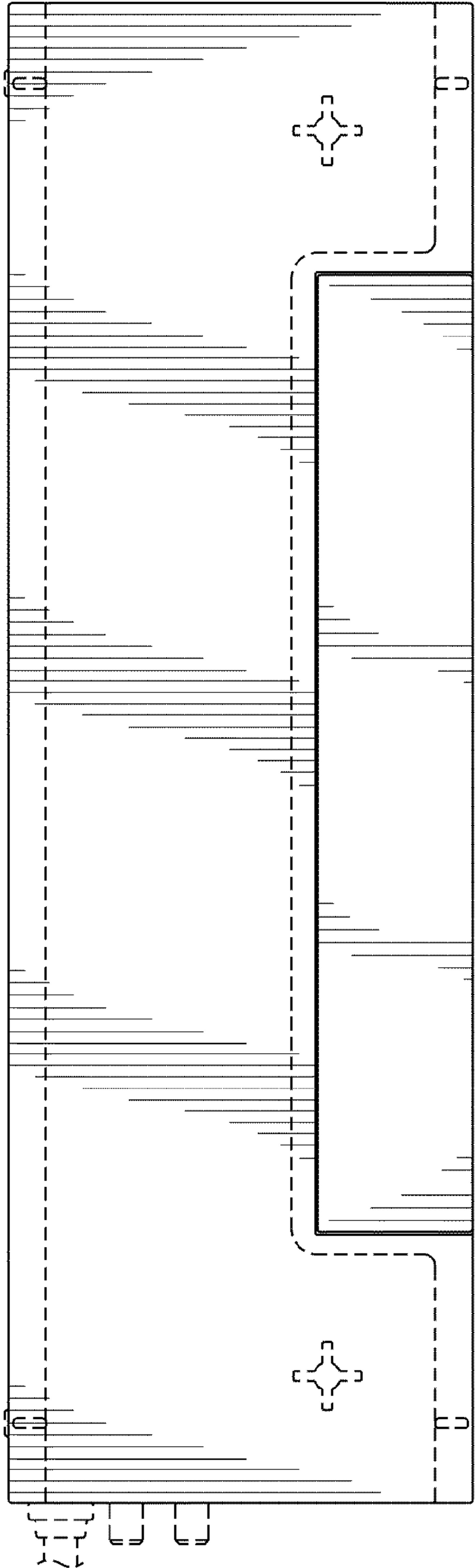


FIG. 3

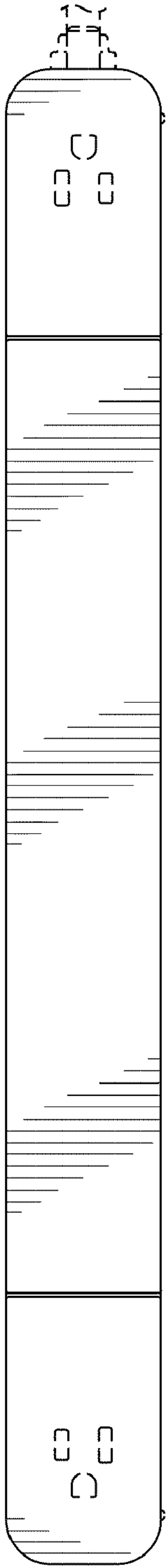


FIG. 4

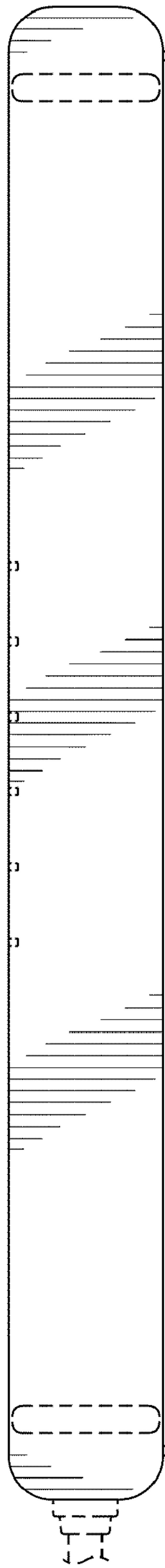


FIG. 5

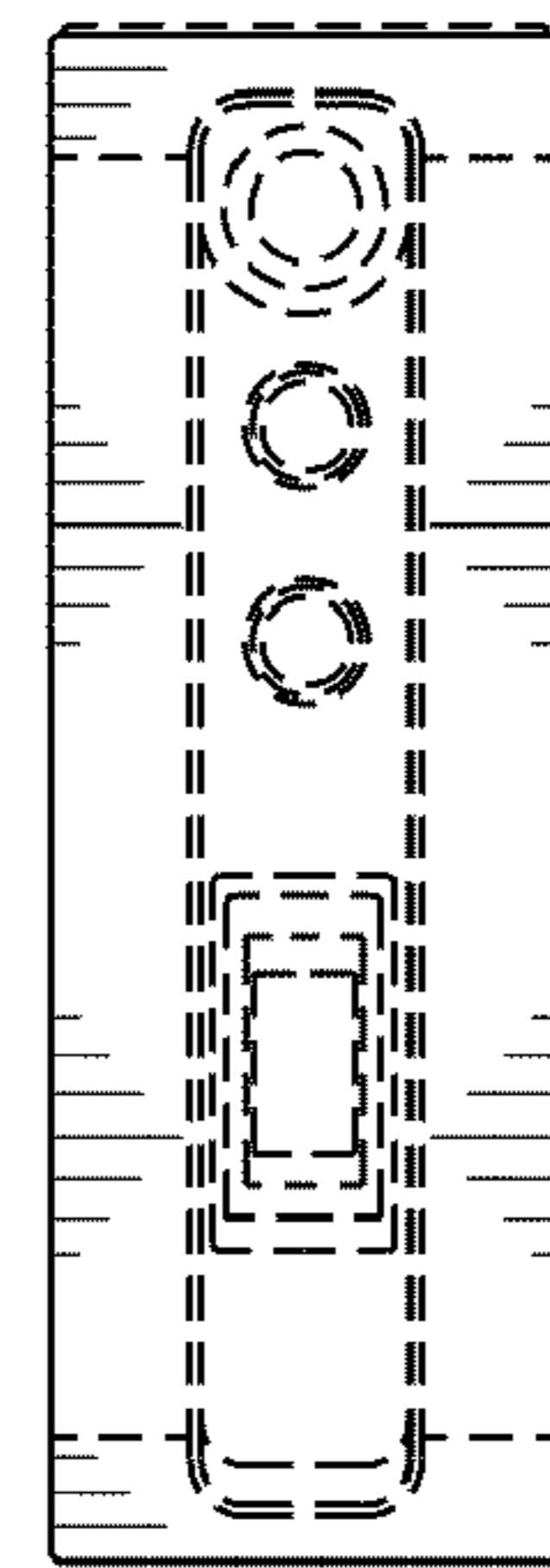


FIG. 6

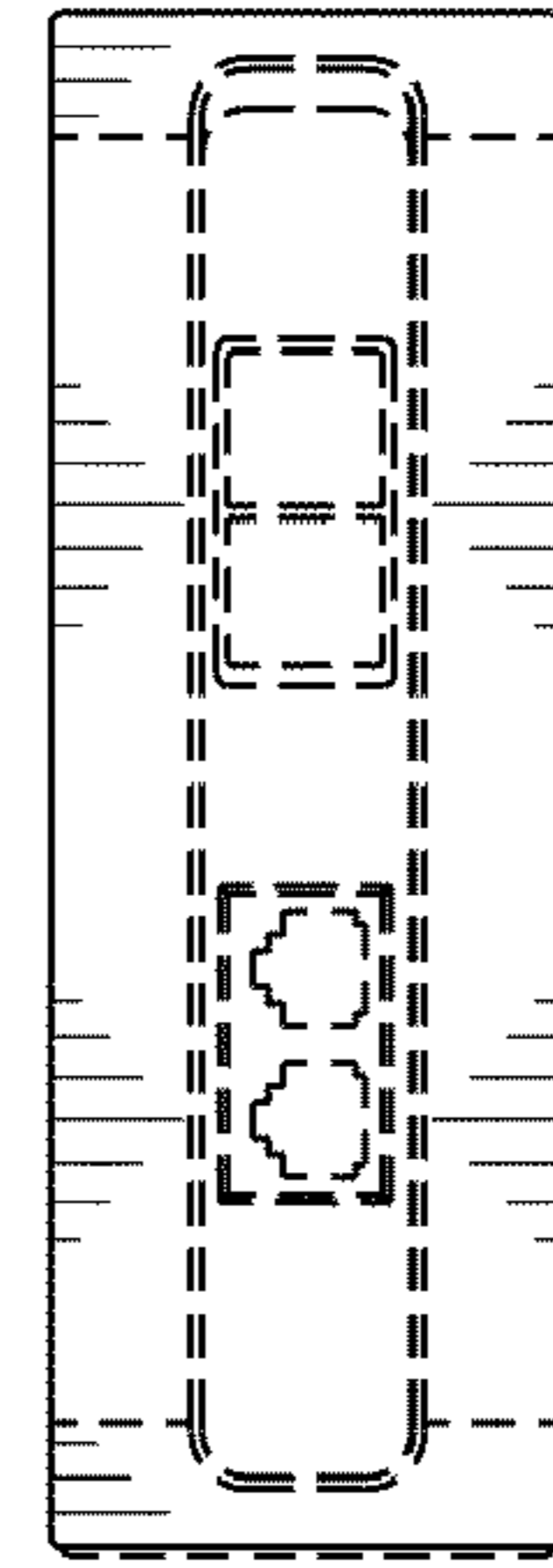


FIG. 7

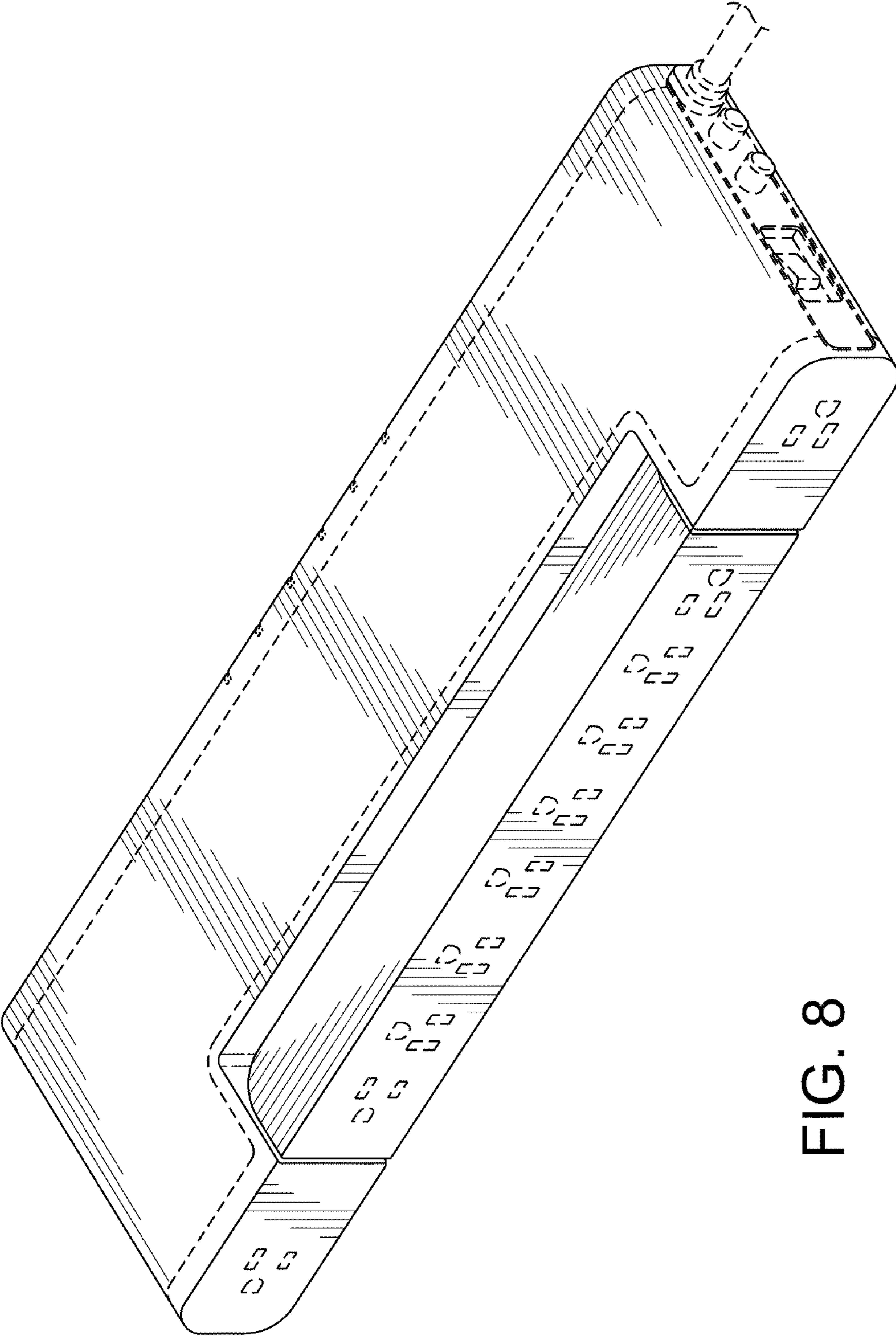


FIG. 8

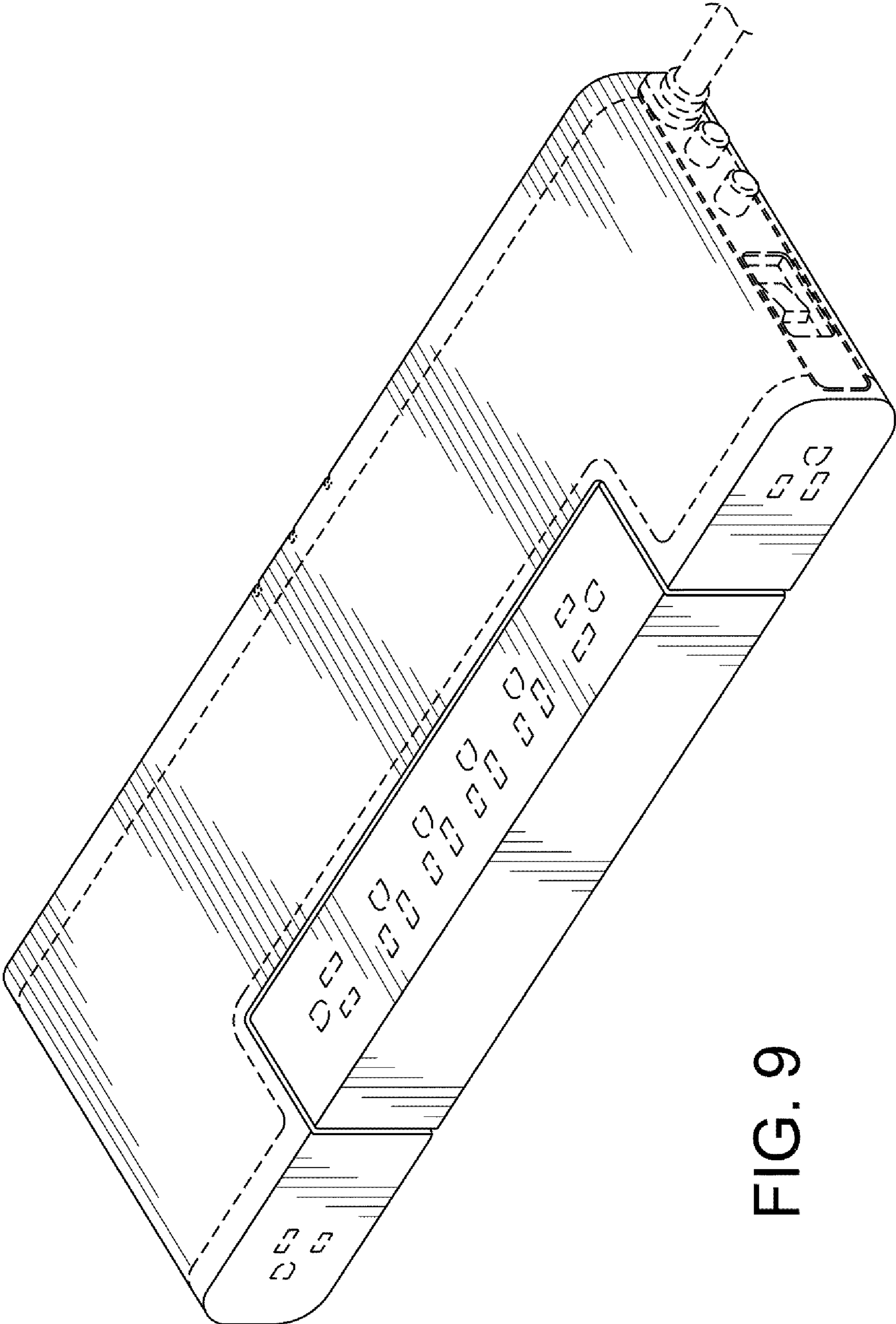


FIG. 9

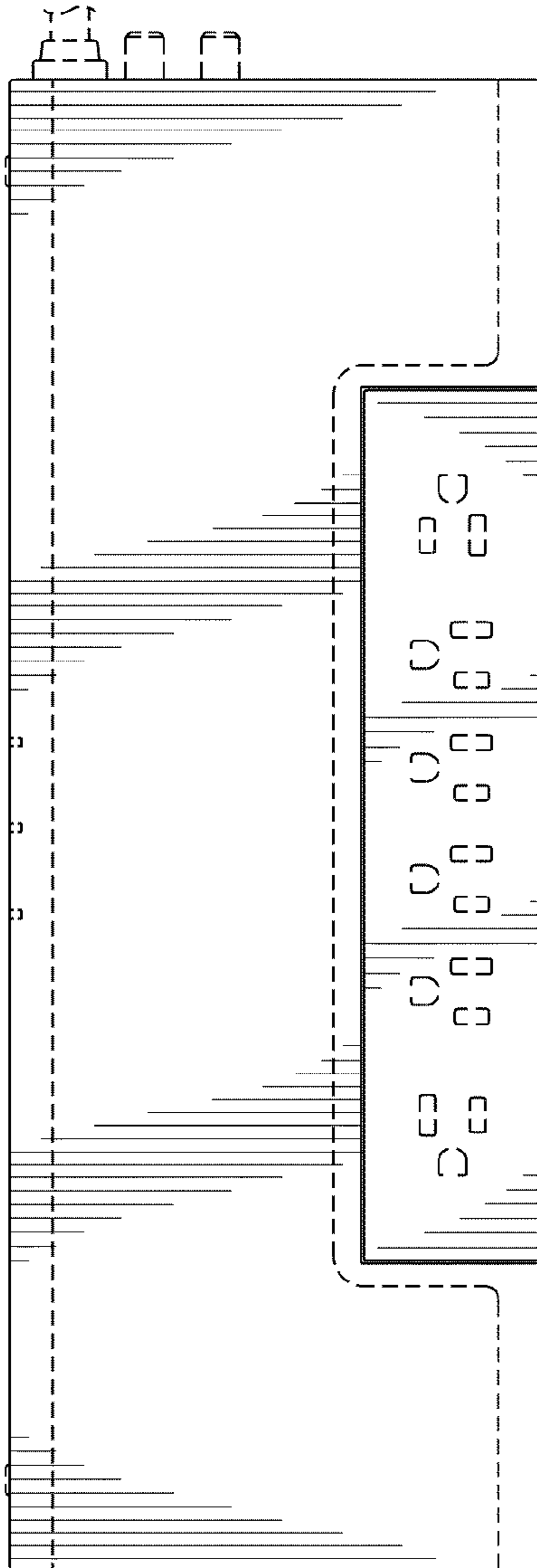


FIG. 10

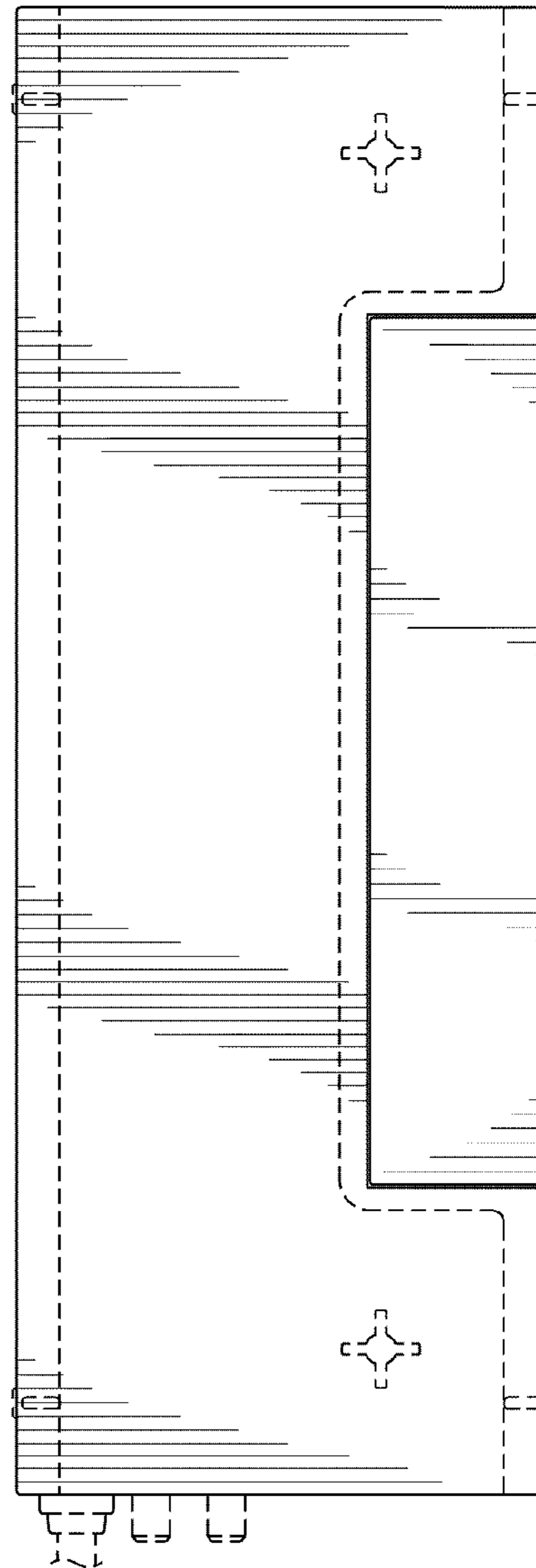


FIG. 11

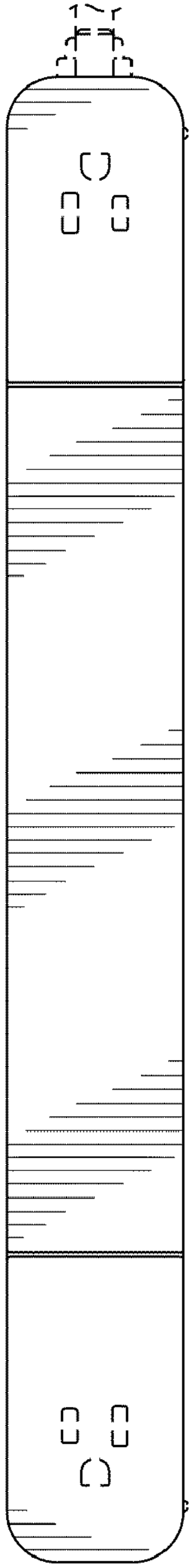


FIG. 12

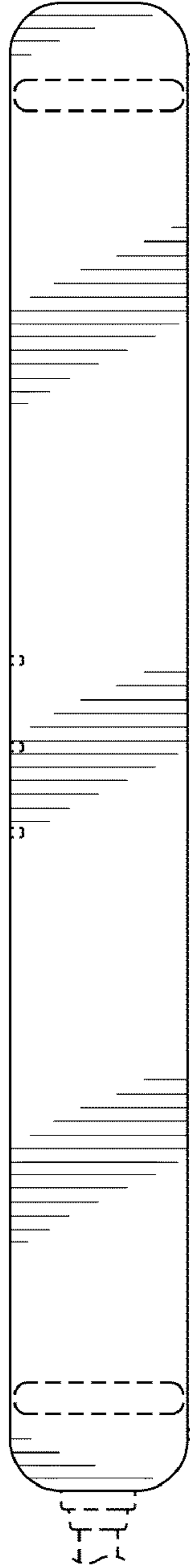


FIG. 13

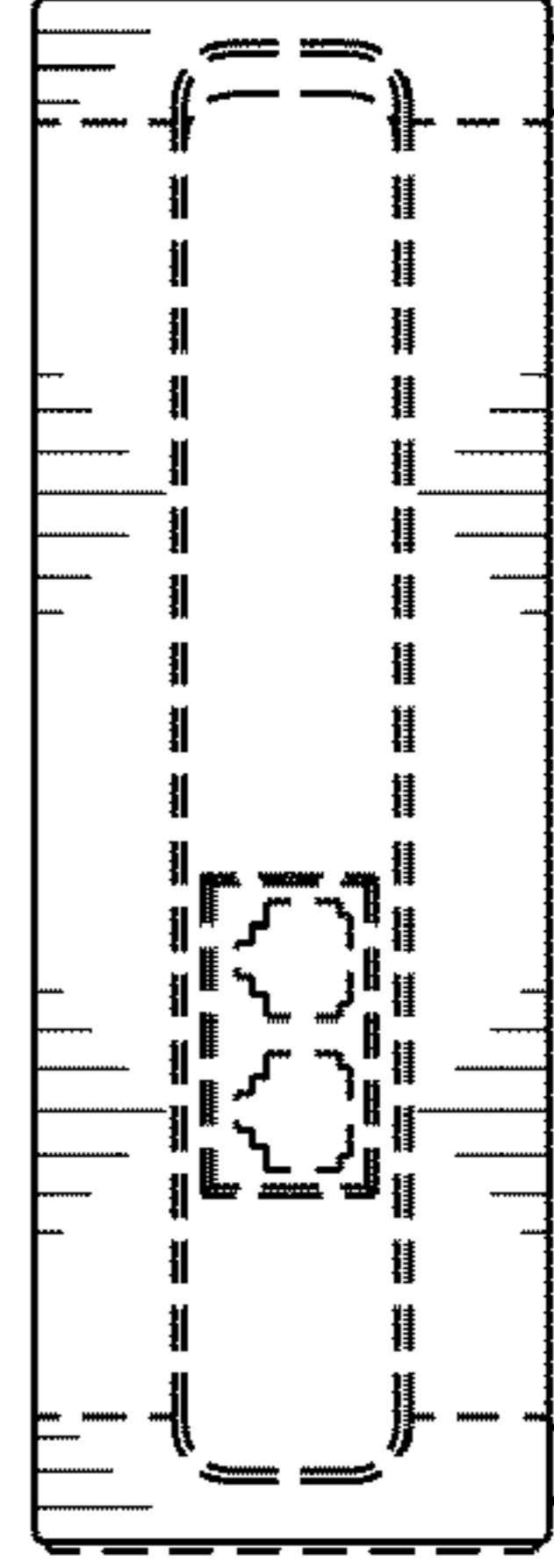


FIG. 14

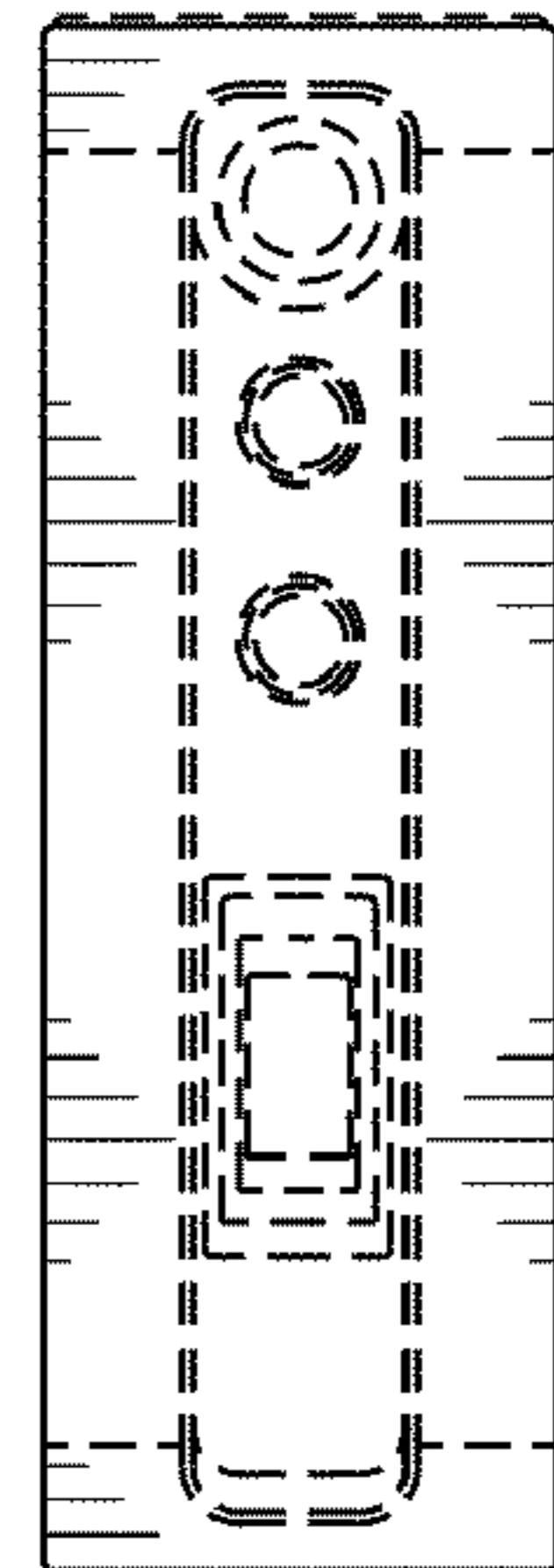


FIG. 15



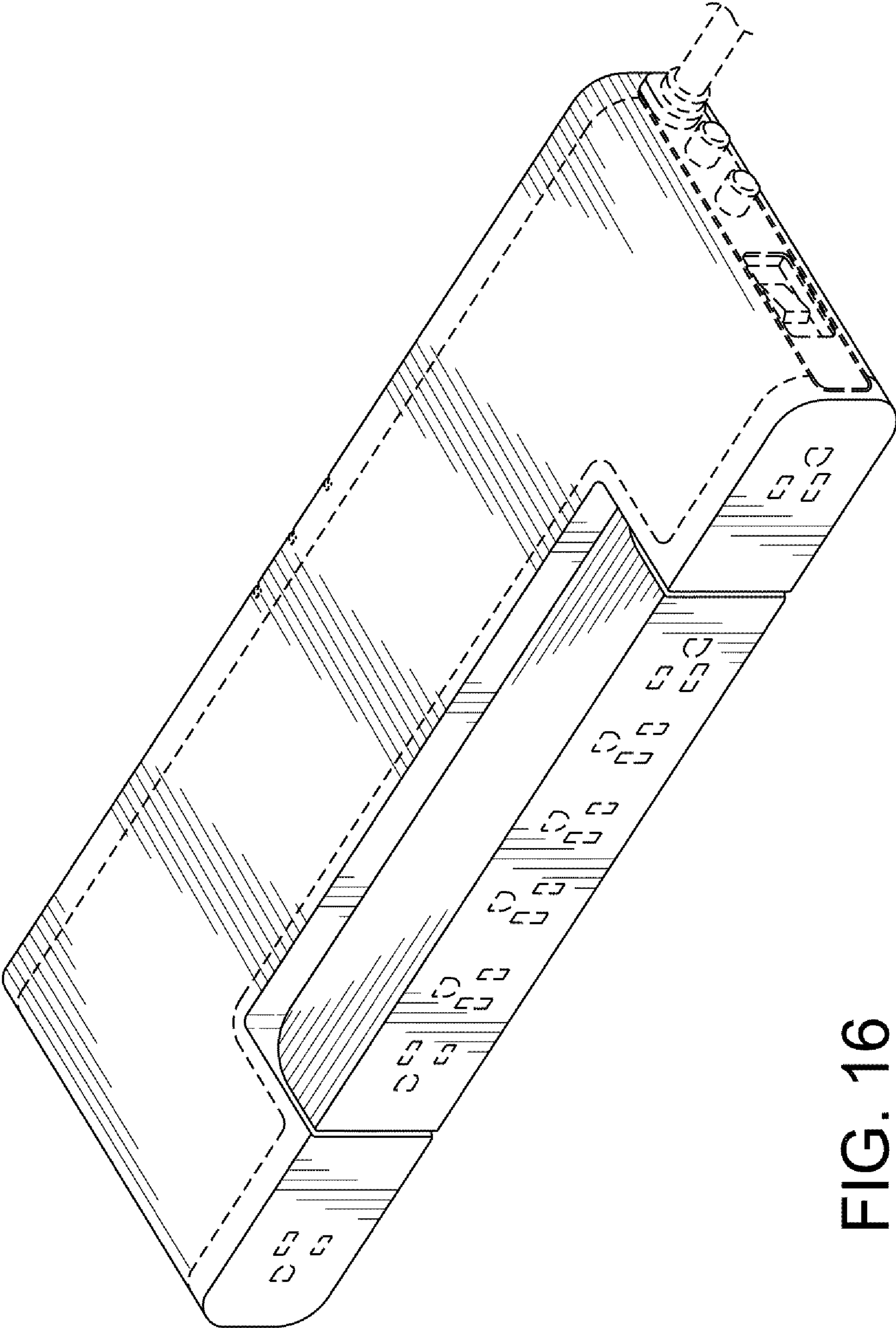


FIG. 16