

US00D654429S

(12) **United States Design Patent**  
**Li et al.**

(10) **Patent No.:** **US D654,429 S**  
(45) **Date of Patent:** **\*\* Feb. 21, 2012**

(54) **PORTABLE BATTERY**

(76) Inventors: **Tianwen Li**, Dong Guan (CN);  
**Xiaofeng Zhang**, Fremont, CA (US)

(\*\*) Term: **14 Years**

(21) Appl. No.: **29/393,493**

(22) Filed: **Jun. 6, 2011**

(51) **LOC (9) Cl.** ..... **13-02**

(52) **U.S. Cl.** ..... **D13/103**

(58) **Field of Classification Search** ..... D13/102–106,  
D13/110, 118–119, 184, 199; 429/96–100,  
429/163, 176

See application file for complete search history.

(56) **References Cited**

**U.S. PATENT DOCUMENTS**

D268,341 S *	3/1983	Mallon	.....	D13/119
D375,937 S *	11/1996	Mergenthaler et al.	.....	D13/110
D384,032 S *	9/1997	Lui	.....	D13/103
D454,110 S *	3/2002	Andre et al.	.....	D13/110
D457,133 S *	5/2002	Yoneyama	.....	D13/103
D465,198 S *	11/2002	Vieno et al.	.....	D13/110

6,573,000 B1 *	6/2003	Miyazaki et al.	.....	429/185
D506,065 S *	6/2005	Sugino et al.	.....	D3/294
D569,794 S *	5/2008	Zhang et al.	.....	D13/103
D643,365 S *	8/2011	Shaper	.....	D13/103

\* cited by examiner

*Primary Examiner* — Rosemary K Tarcza

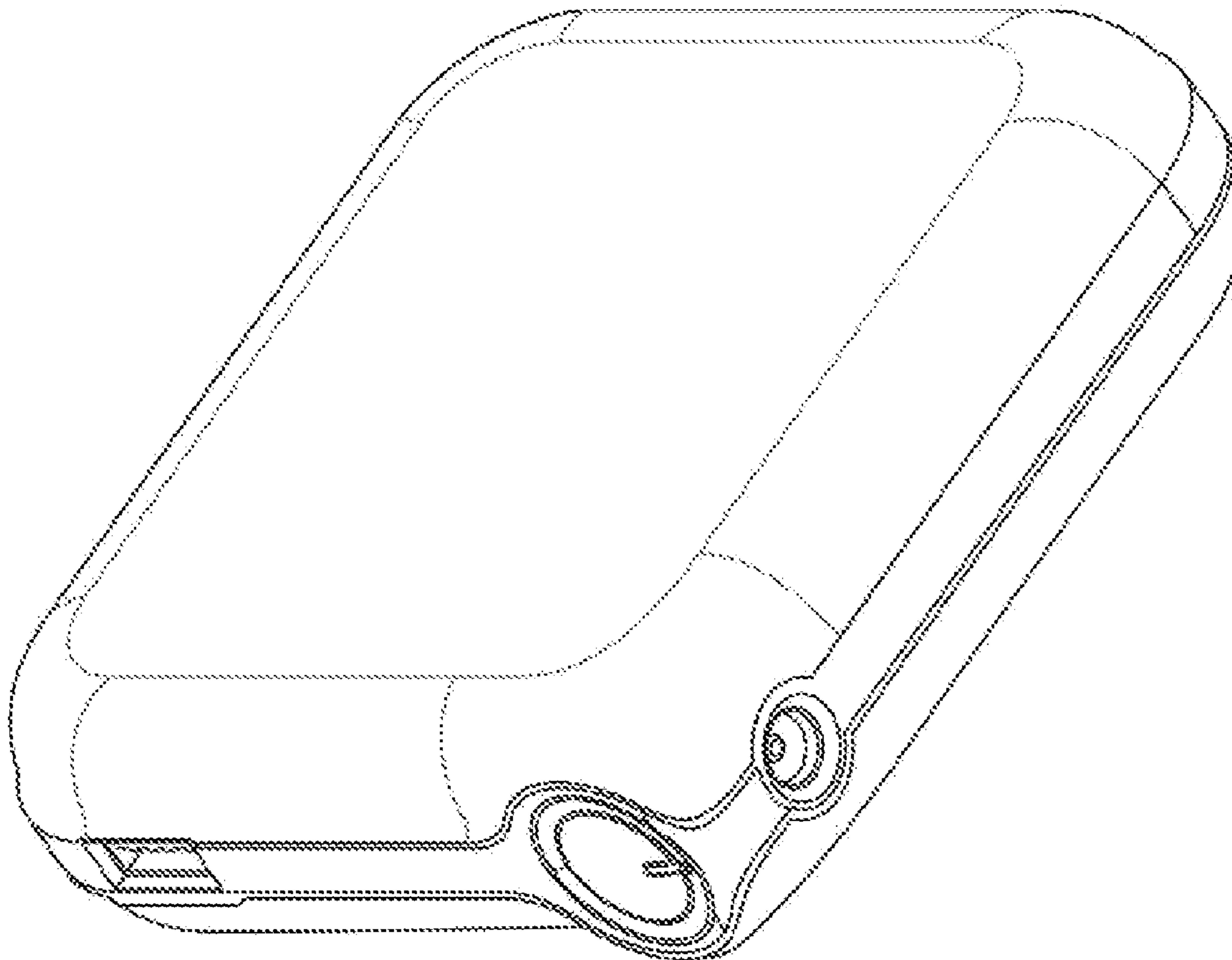
(57) **CLAIM**

The ornamental design for a portable battery, as shown and described.

**DESCRIPTION**

FIG. 1 is a front view of a portable battery showing our new design;  
 FIG. 2 is a rear view thereof;  
 FIG. 3 is a side view thereof;  
 FIG. 4 is an end view thereof;  
 FIG. 5 is a top view thereof;  
 FIG. 6 is a bottom view thereof;  
 FIG. 7 is a bottom perspective view thereof;  
 FIG. 8 is a top perspective view thereof;  
 FIG. 9 is a side perspective view thereof; and,  
 FIG. 10 is an end perspective view thereof.

**1 Claim, 10 Drawing Sheets**



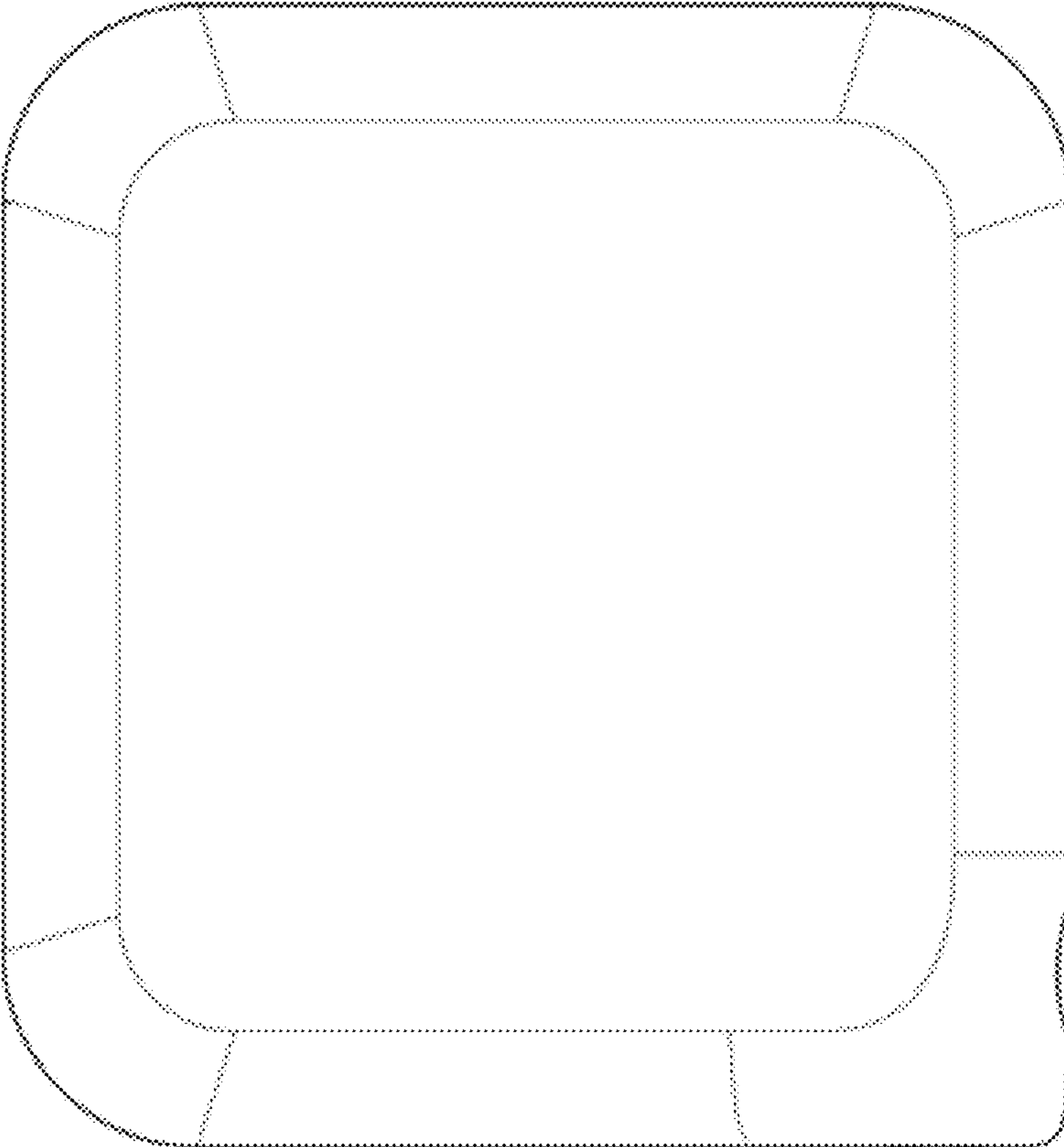


FIG. 1

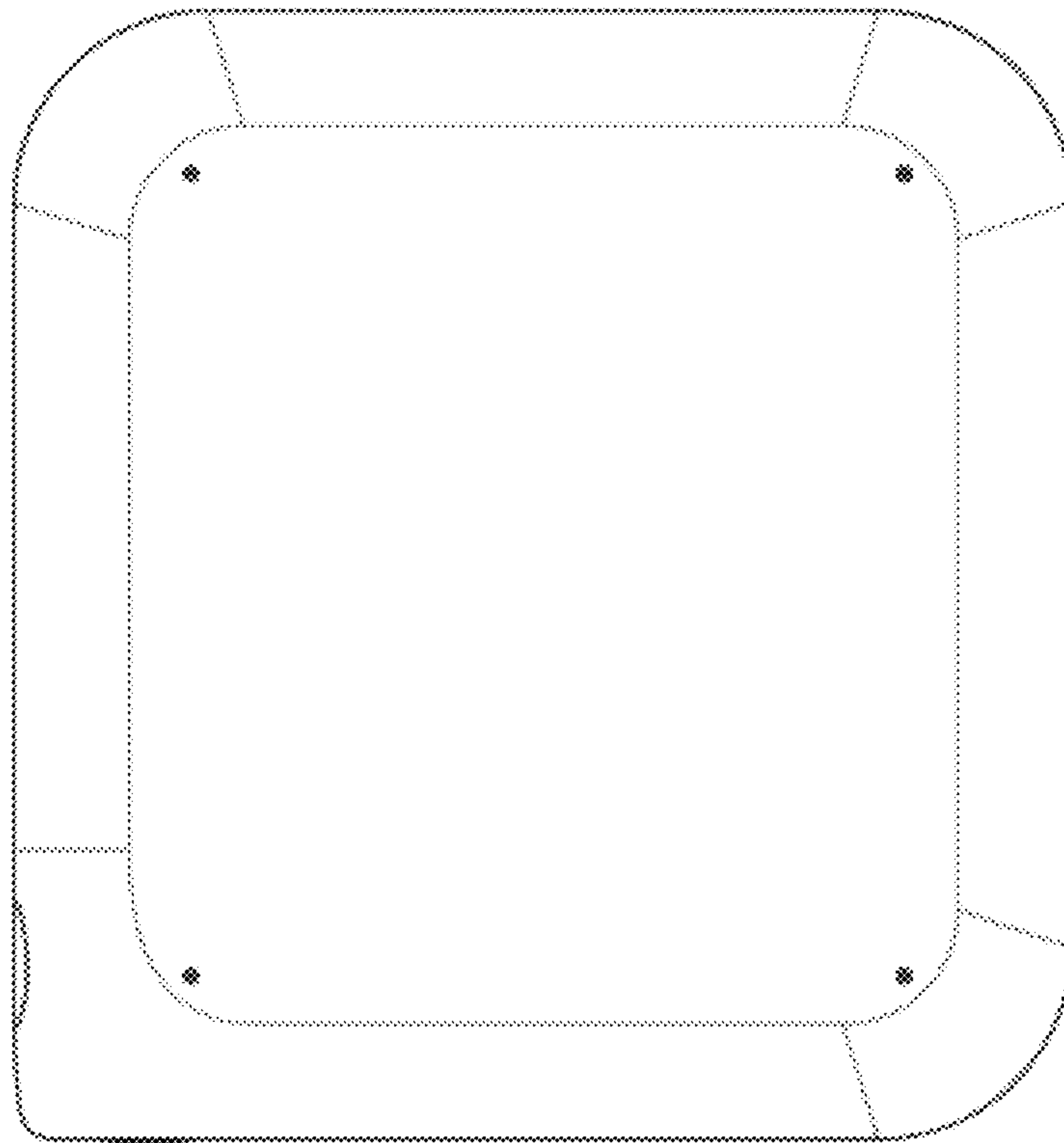


FIG. 2

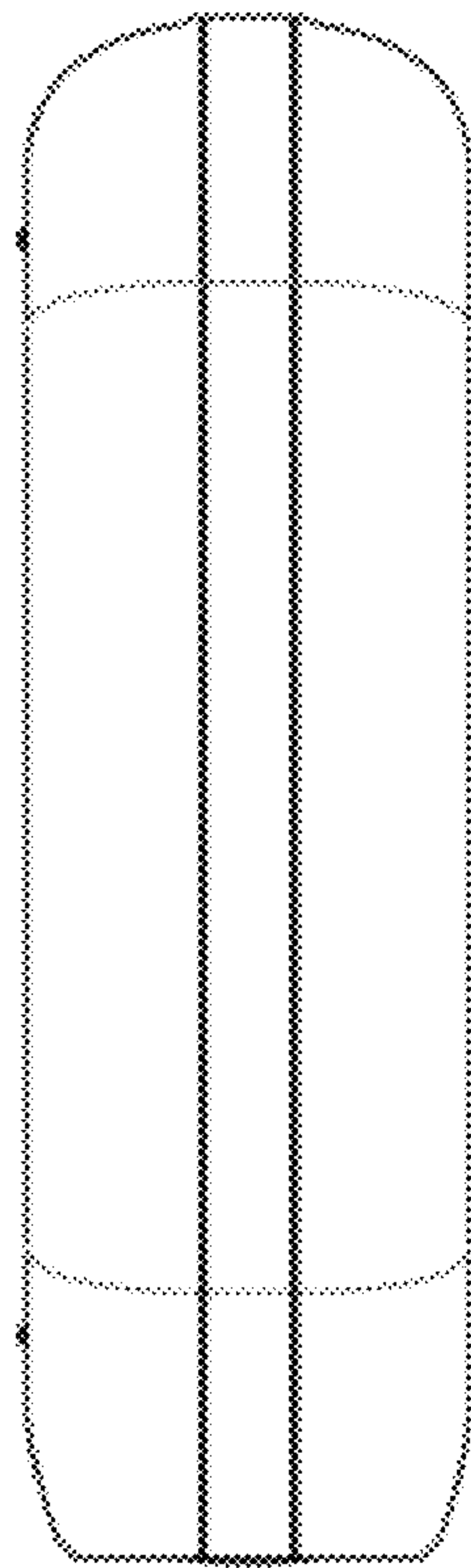


FIG. 3

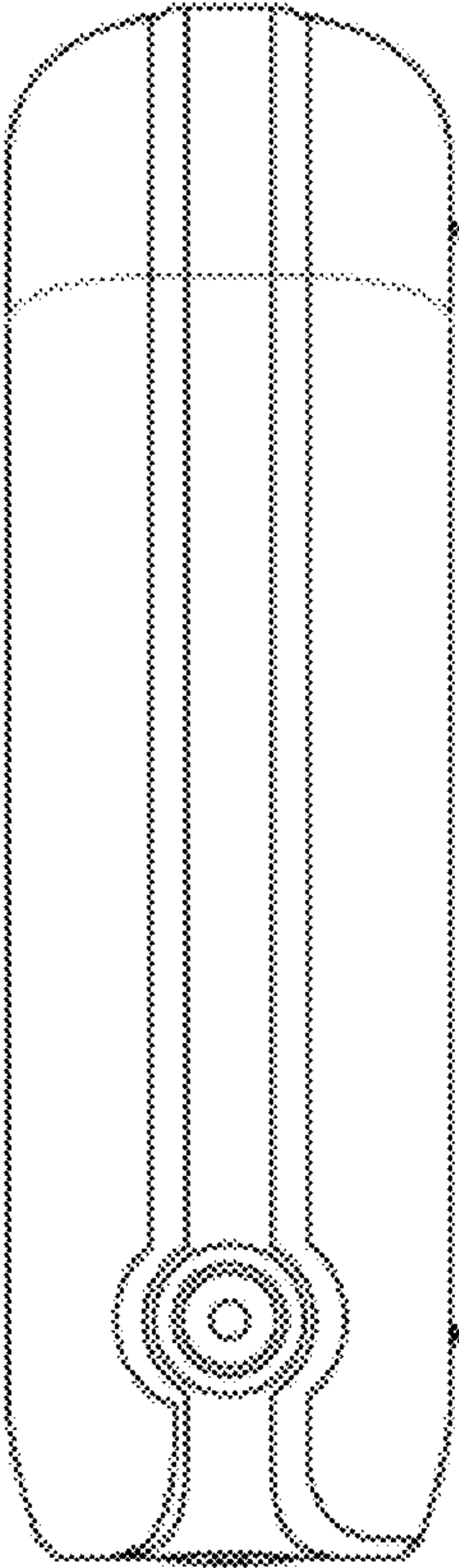


FIG. 4

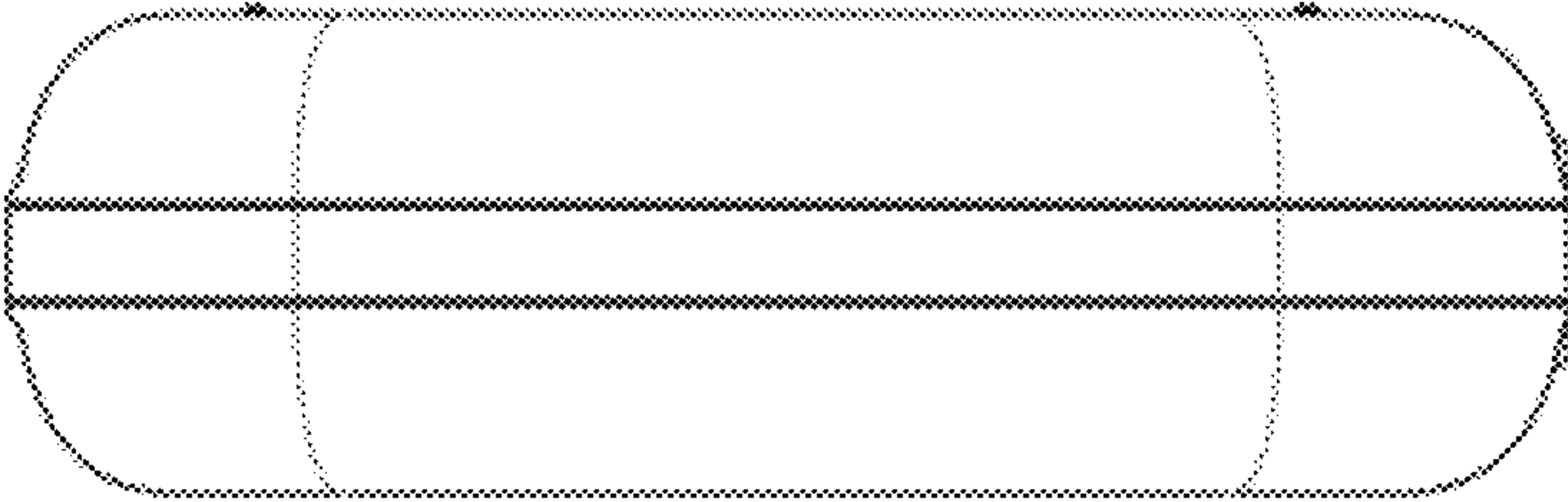


FIG. 5

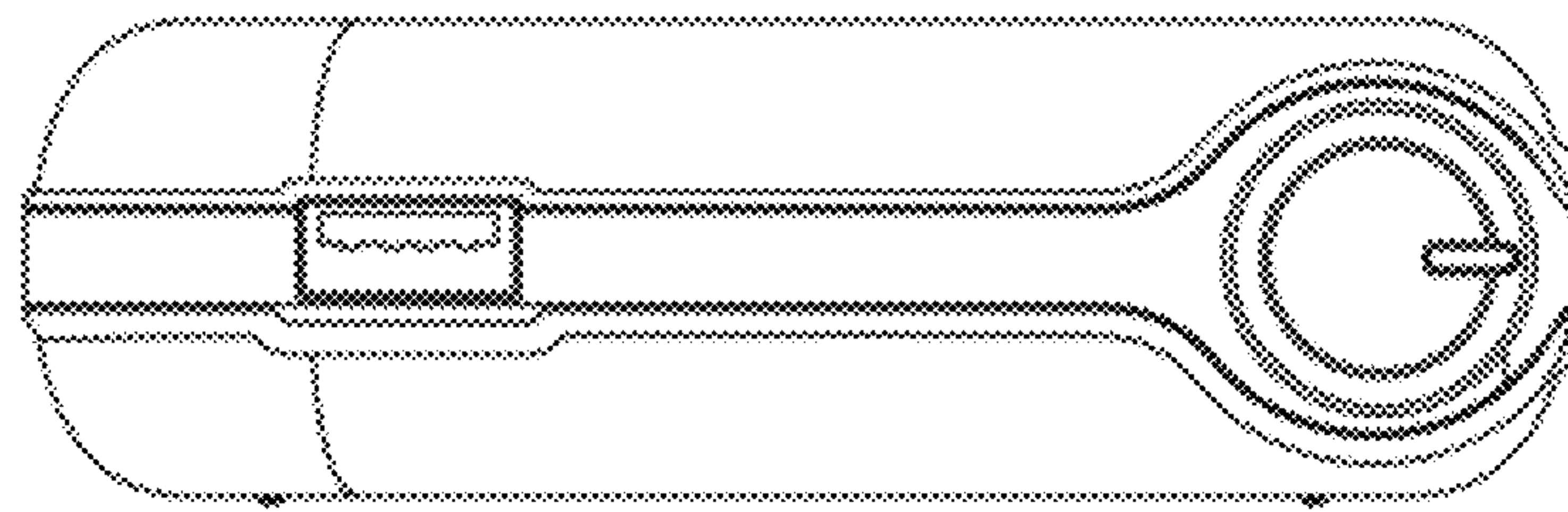


FIG. 6

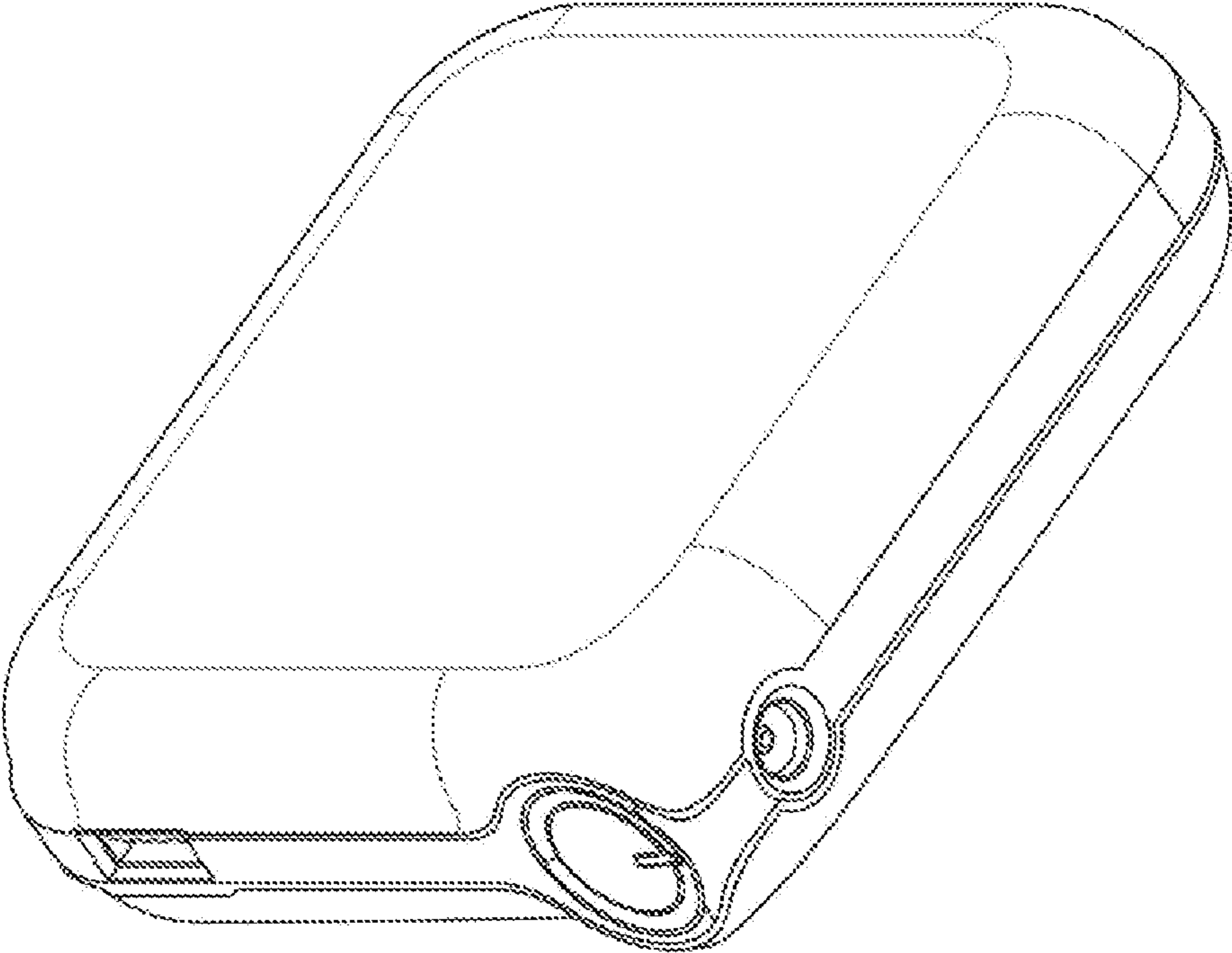


FIG. 7



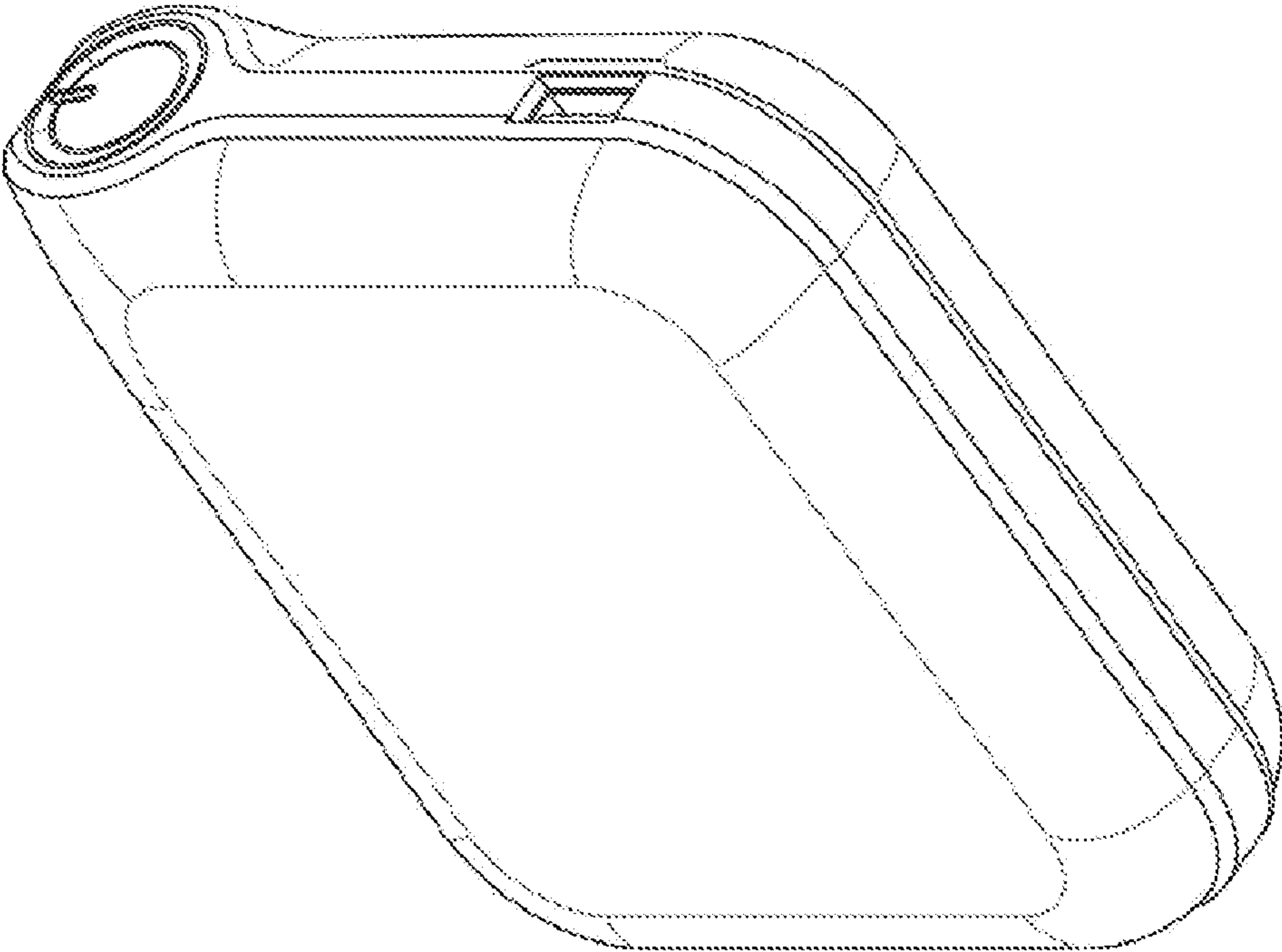


FIG. 8

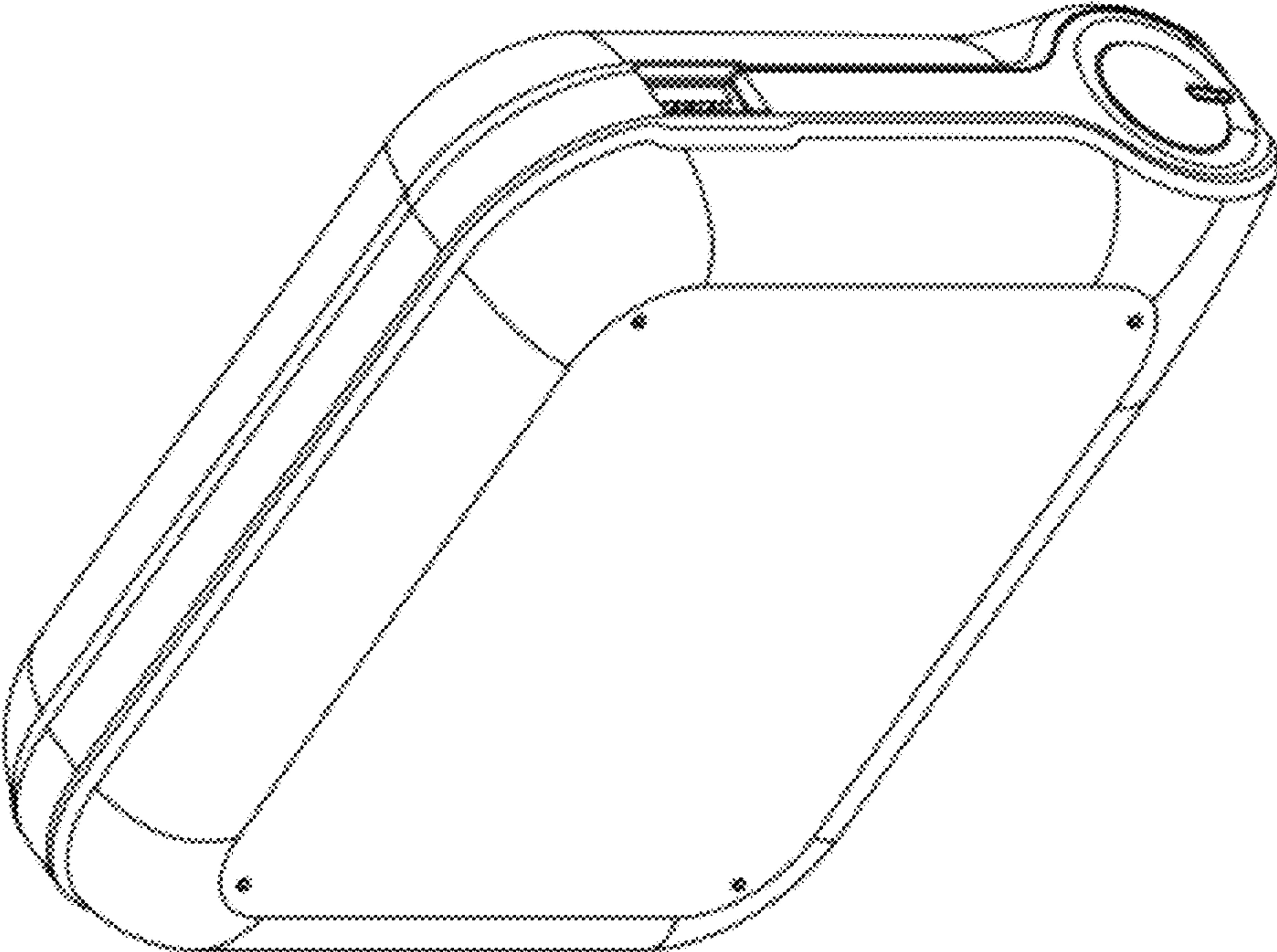


FIG. 9

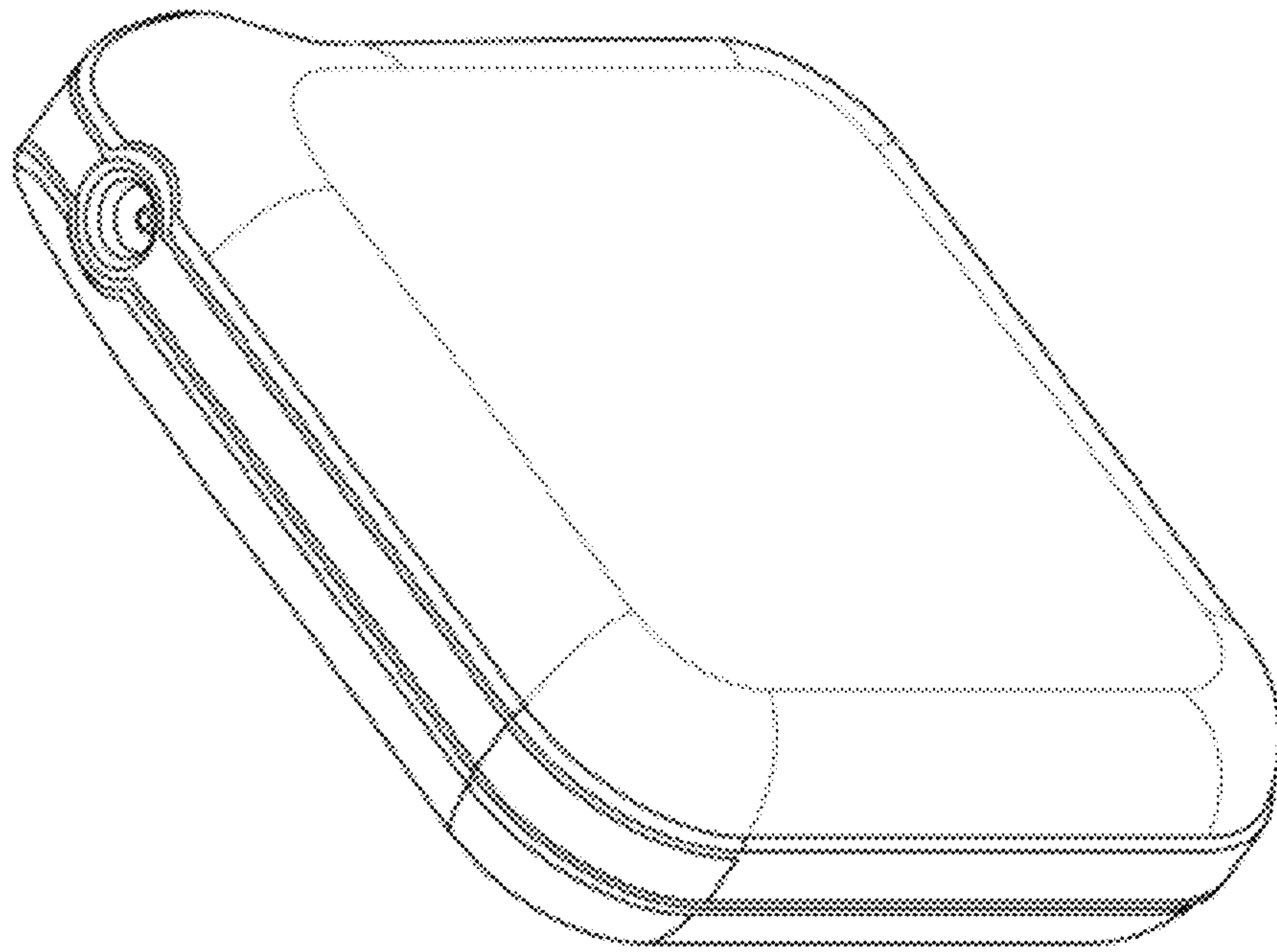


FIG. 10