



US00D654421S

(12) **United States Design Patent**
Sugiyama et al.

(10) **Patent No.:** **US D654,421 S**

(45) **Date of Patent:** **** Feb. 21, 2012**

(54) **BOLT CAP**

(75) Inventors: **Takahiro Sugiyama**, Anjo (JP);
Toshiaki Abe, Toyota (JP)

(73) Assignee: **Daiwa Kasei Kogyo Kabuxhiki Kaisha**,
Okazaki-shi, Aichi-ken (JP)

(**) Term: **14 Years**

(21) Appl. No.: **29/371,198**

(22) Filed: **Nov. 23, 2010**

(30) **Foreign Application Priority Data**

May 26, 2010 (JP) 2010-012906

(51) **LOC (9) Cl.** **12-16**

(52) **U.S. Cl.** **D12/400**

(58) **Field of Classification Search** D12/400,
D12/82-83, 197, 190, 406, 411; D25/52;
40/218; D23/260

See application file for complete search history.

(56) **References Cited**

U.S. PATENT DOCUMENTS

571,708	A *	11/1896	Thompson	137/845
4,262,701	A *	4/1981	Beacom	138/89
4,534,088	A *	8/1985	Ricke	24/295
4,583,654	A *	4/1986	Pufpaff et al.	220/789
D285,169	S *	8/1986	Resan	D8/382
D353,768	S *	12/1994	Hayes	D9/435
D359,294	S *	6/1995	Szabo	D15/199
D359,295	S *	6/1995	Szabo	D15/199
D359,970	S *	7/1995	Szabo	D15/199
D376,654	S *	12/1996	McLaughlin	D25/36
D398,959	S *	9/1998	Lord	D23/249
D398,960	S *	9/1998	Lord	D23/249
D403,746	S *	1/1999	Lord	D23/238
D403,747	S *	1/1999	Lord	D23/238

D403,748	S *	1/1999	Lord	D23/238
D413,164	S *	8/1999	Lord	D23/238
D443,040	S *	5/2001	Fabian et al.	D23/260
D443,342	S *	6/2001	Hunter et al.	D23/260
6,662,490	B1 *	12/2003	Aesch, Jr.	43/124
D485,889	S *	1/2004	DuBois	D23/260
7,347,655	B2 *	3/2008	Nagasawa et al.	411/508
D570,966	S *	6/2008	Gilligan	D23/260
D612,913	S *	3/2010	Evans et al.	D23/260
D621,480	S *	8/2010	Campbell	D23/260
2008/0142517	A1 *	6/2008	Nakazato	220/201

* cited by examiner

Primary Examiner — Caron D Veynar

Assistant Examiner — Katrina A Betton

(74) *Attorney, Agent, or Firm* — Dennison, Schultz & MacDonald

(57) **CLAIM**

The ornamental design for a bolt cap, as shown and described.

DESCRIPTION

FIG. 1 is a perspective view of a bolt cap showing our new design viewed from an upper direction;

FIG. 2 is a perspective view thereof viewed from a lower direction;

FIG. 3 is a front elevation view thereof;

FIG. 4 is a right side elevation view thereof;

FIG. 5 is a top plan view thereof;

FIG. 6 is a bottom plan view thereof;

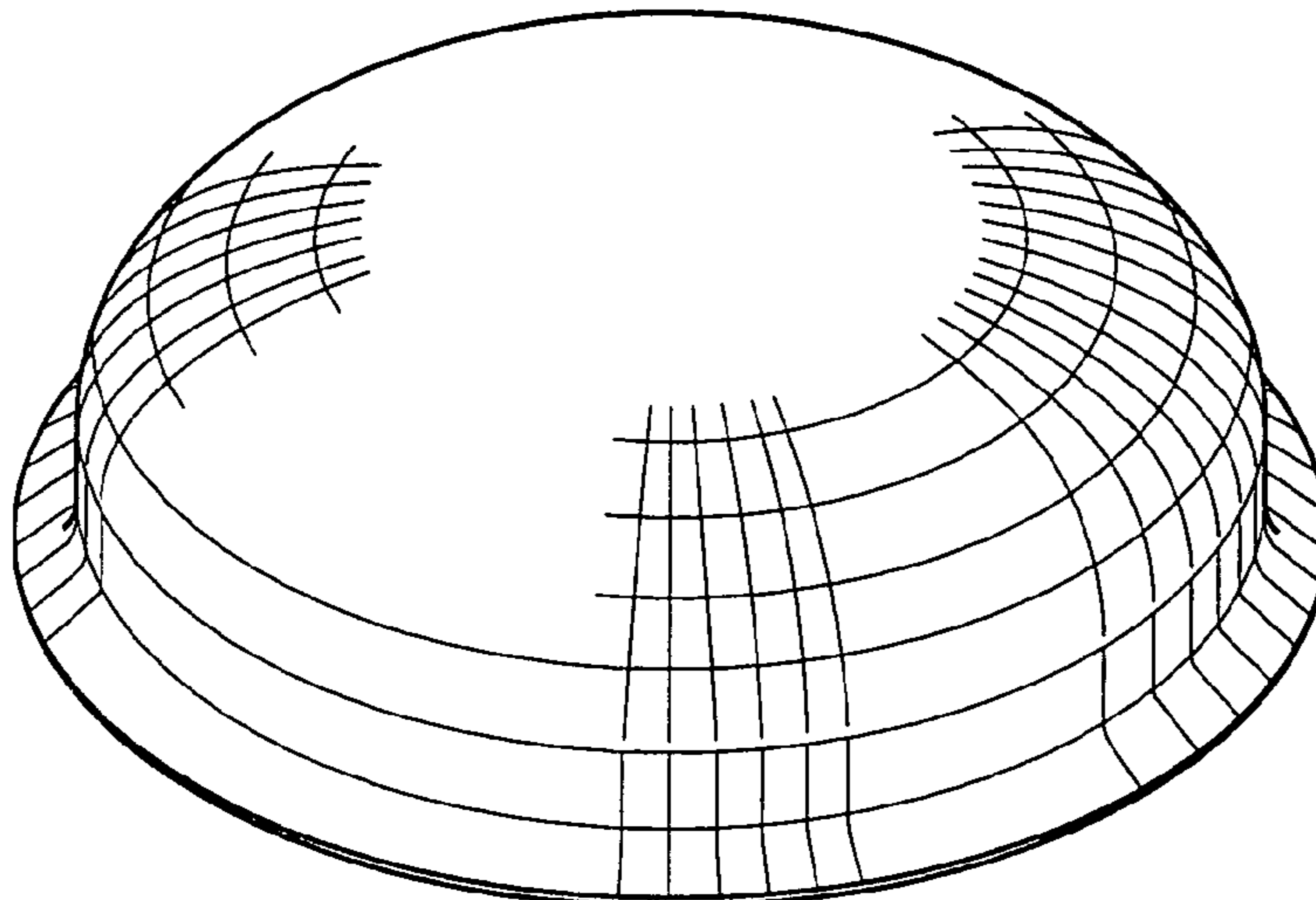
FIG. 7 is a sectional view thereof taken along line VII-VII in FIG. 3;

FIG. 8 is a sectional view thereof taken along line VIII-VIII in FIG. 4; and,

FIG. 9 is a reference view showing the state of use.

The broken line in FIG. 9 shows a vehicle dashboard and center console and forms no part of the claimed design.

1 Claim, 4 Drawing Sheets



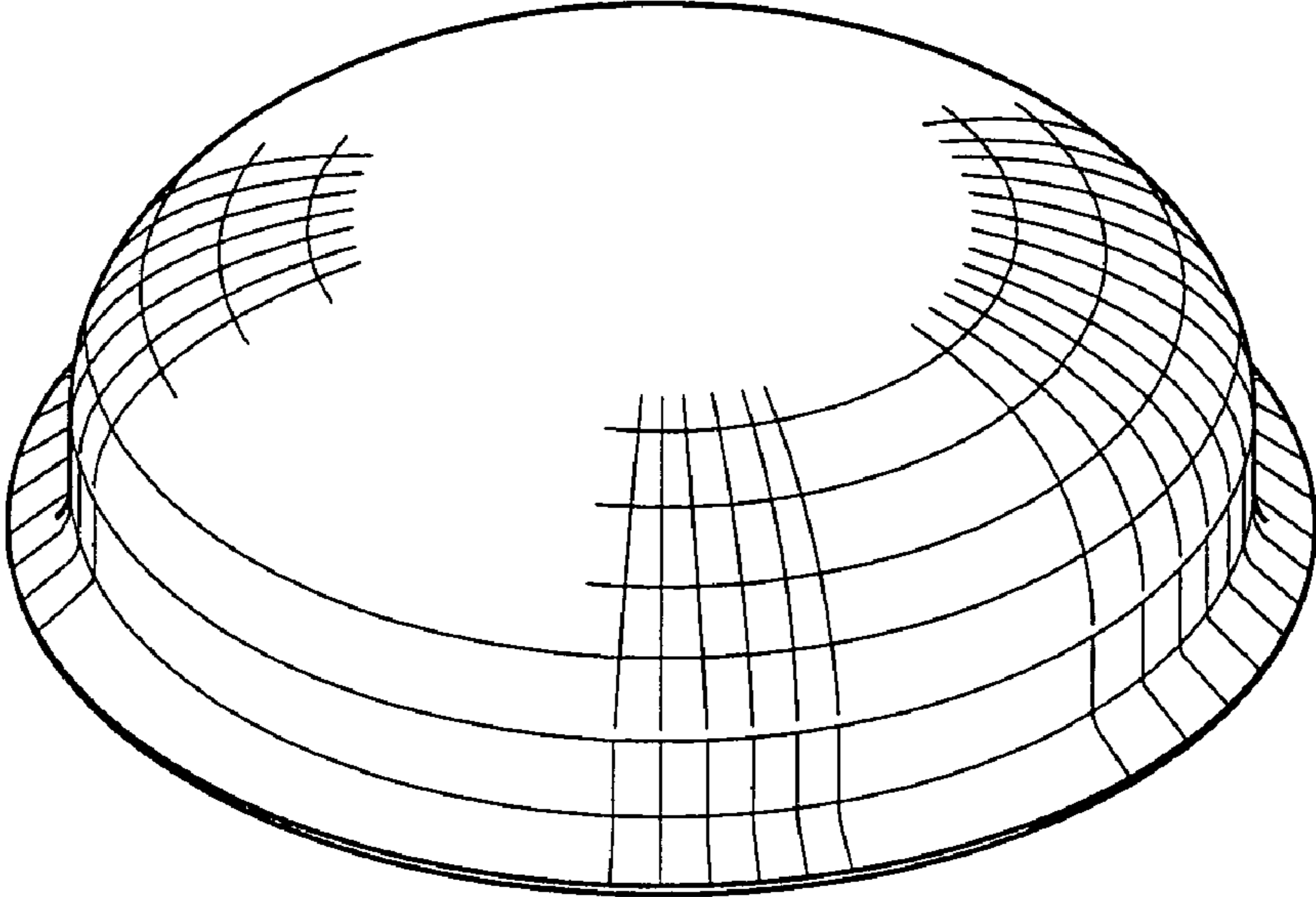


FIG. 1

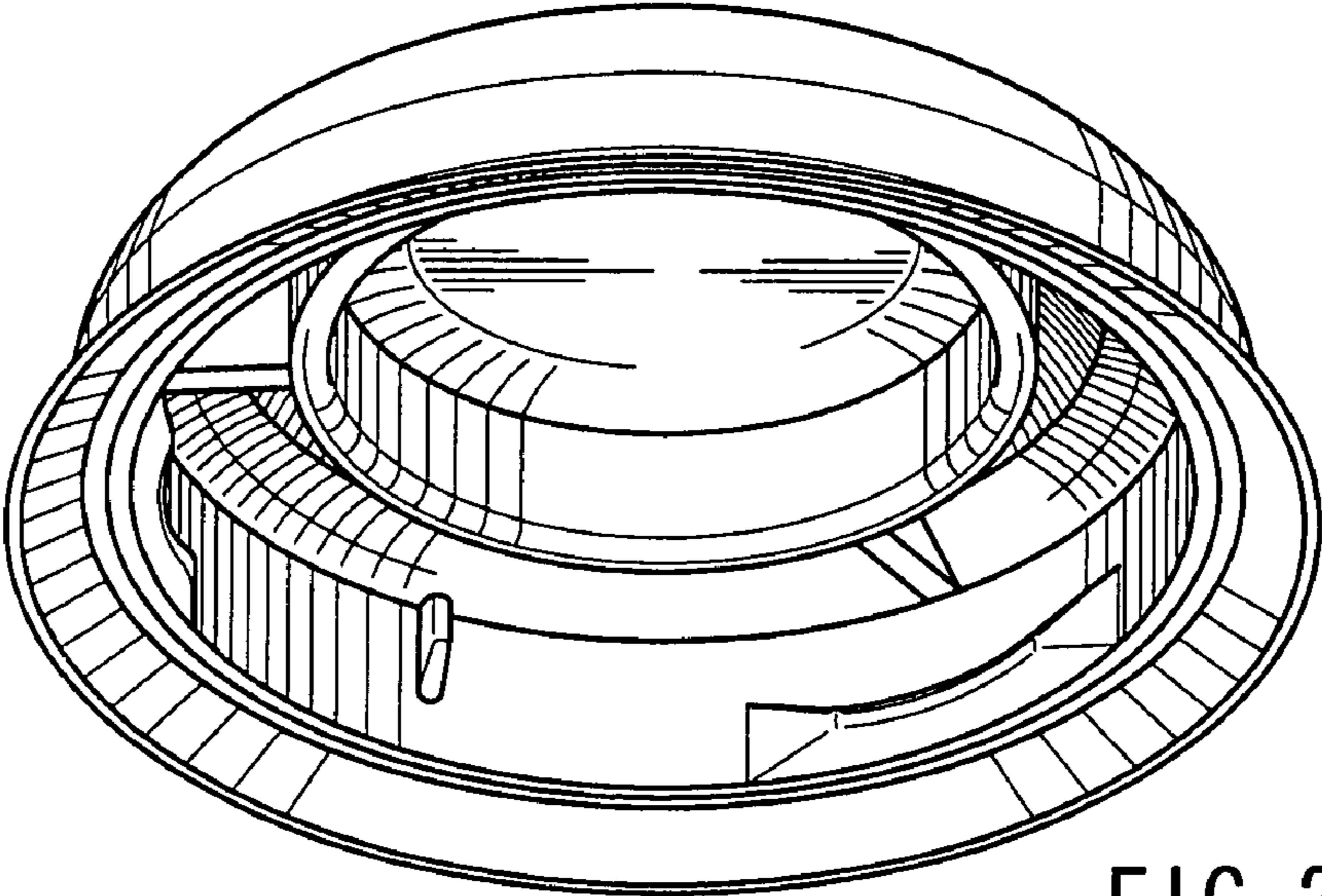
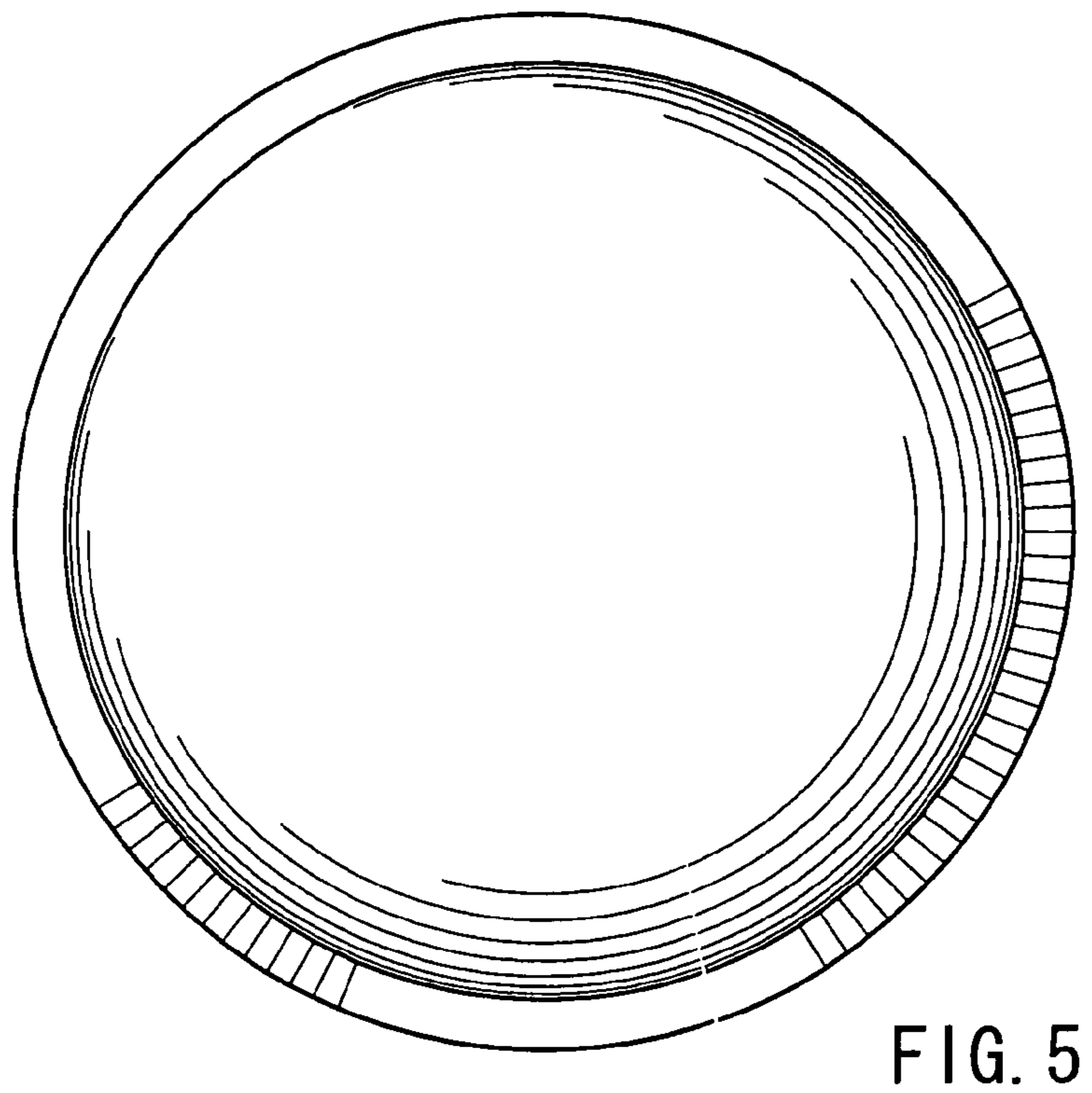
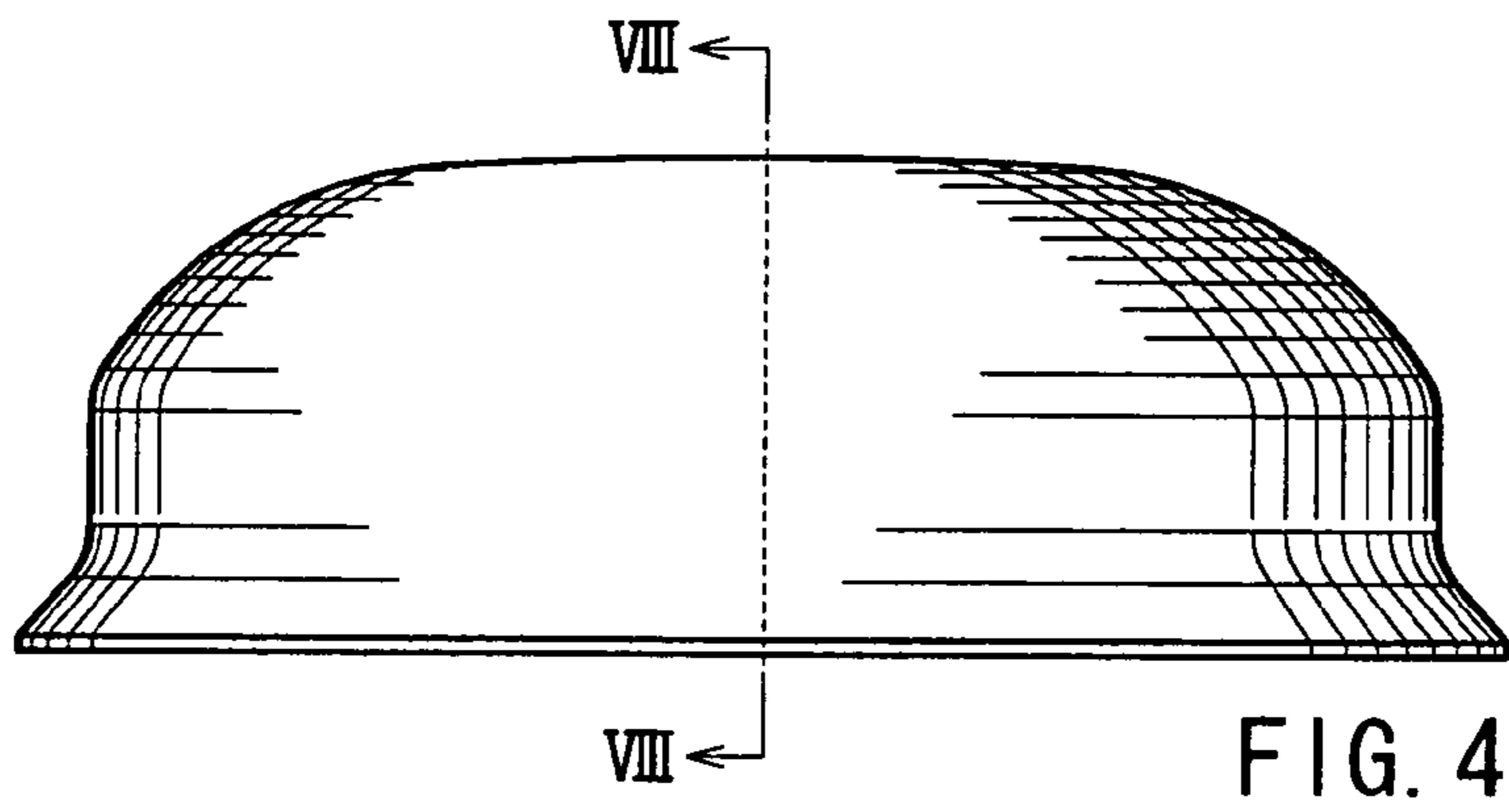
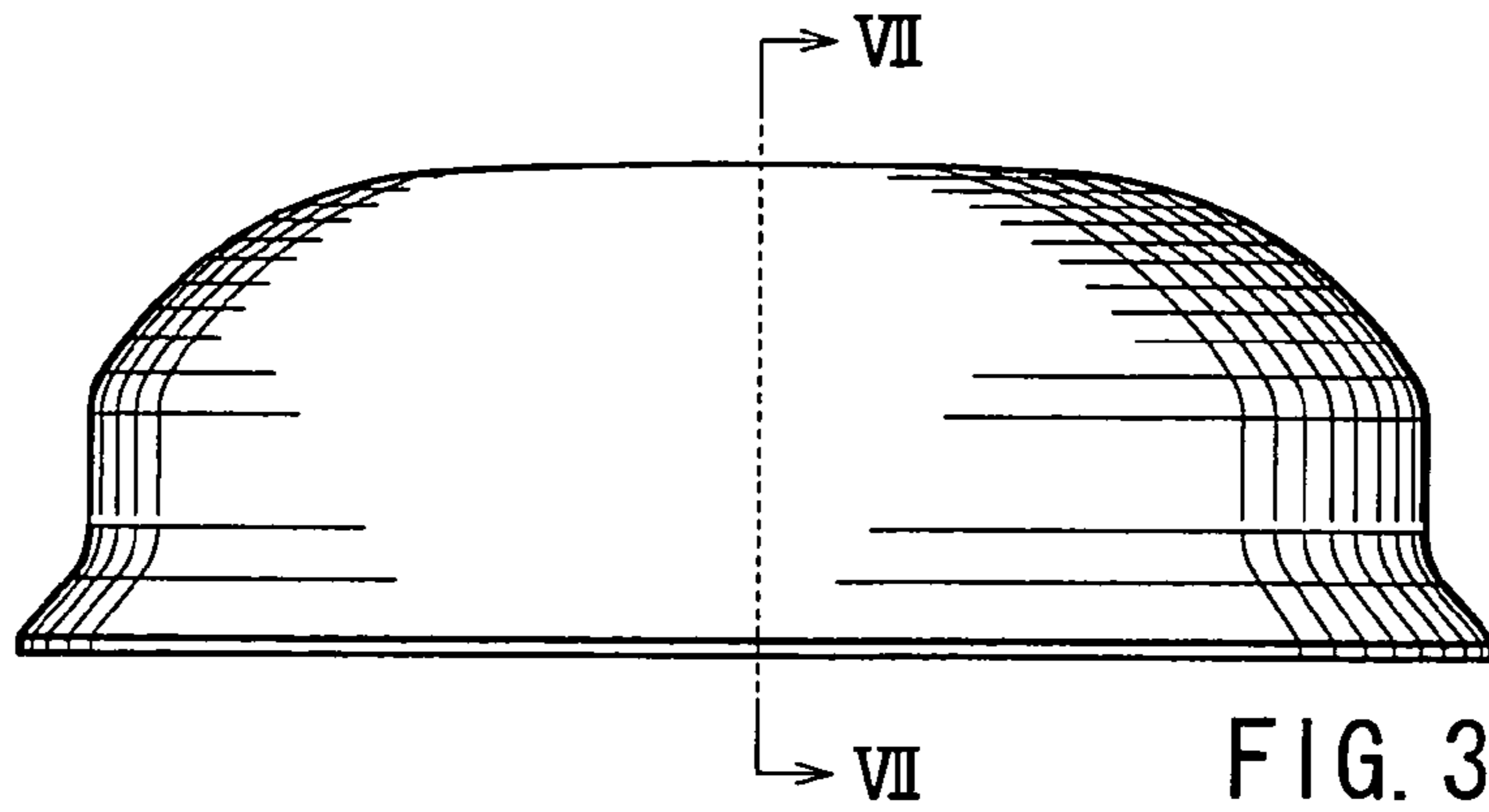


FIG. 2



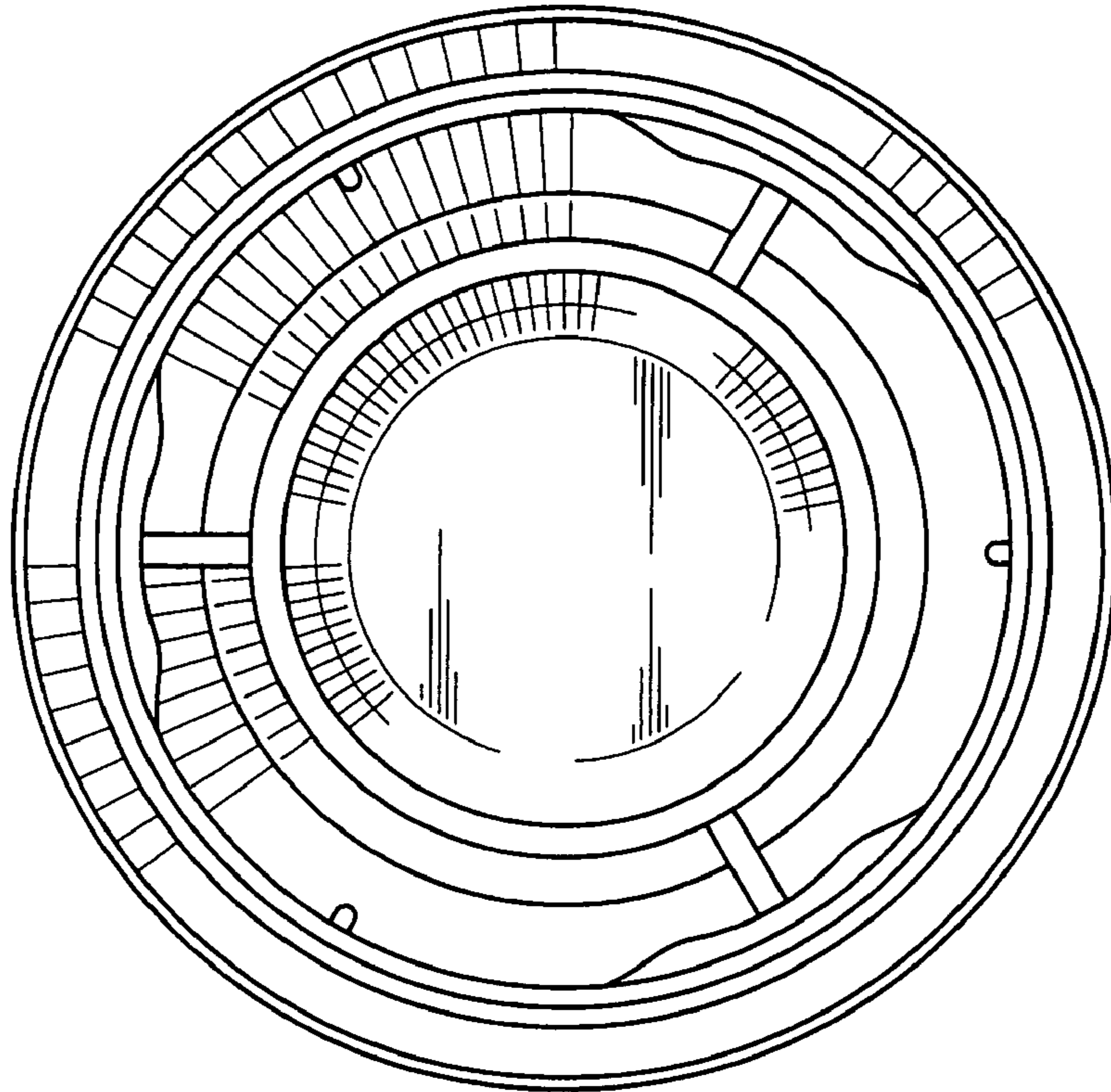


FIG. 6

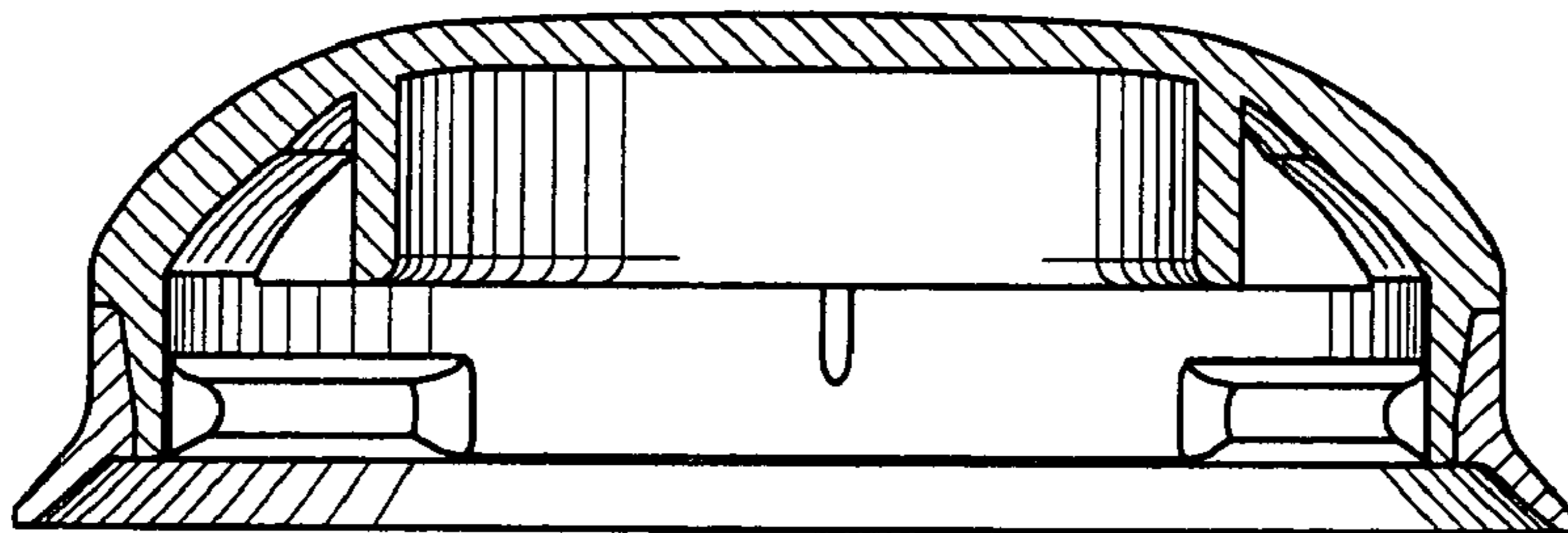


FIG. 7

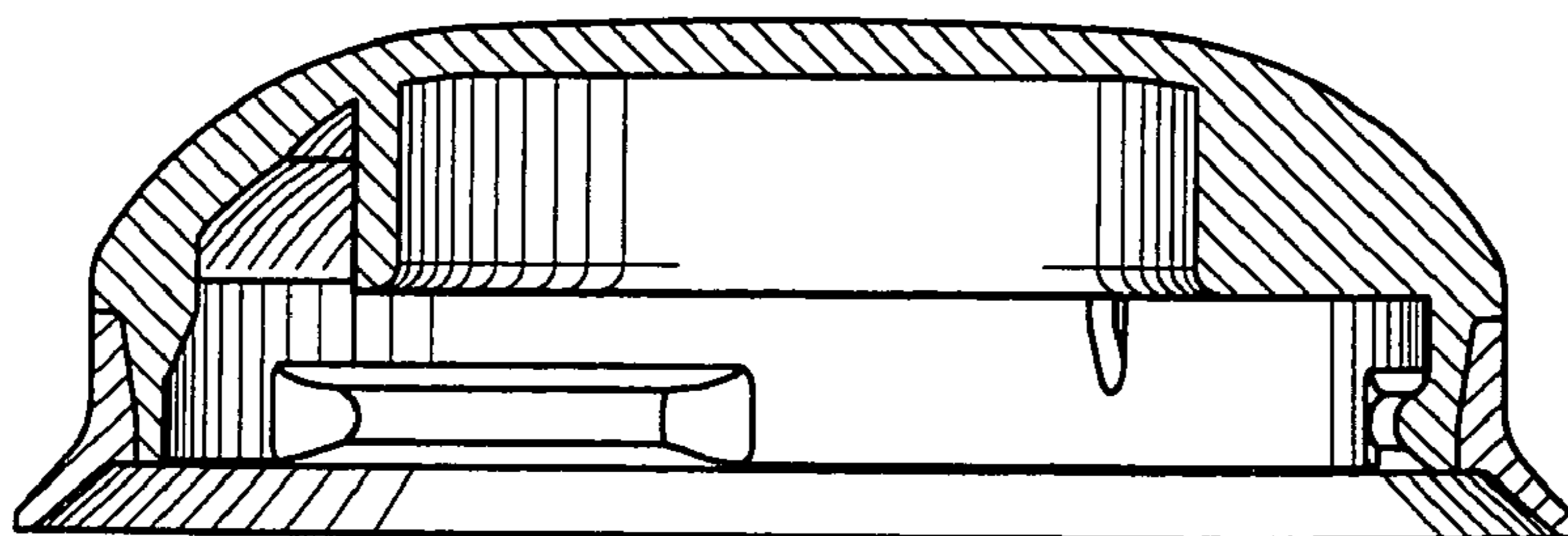


FIG. 8

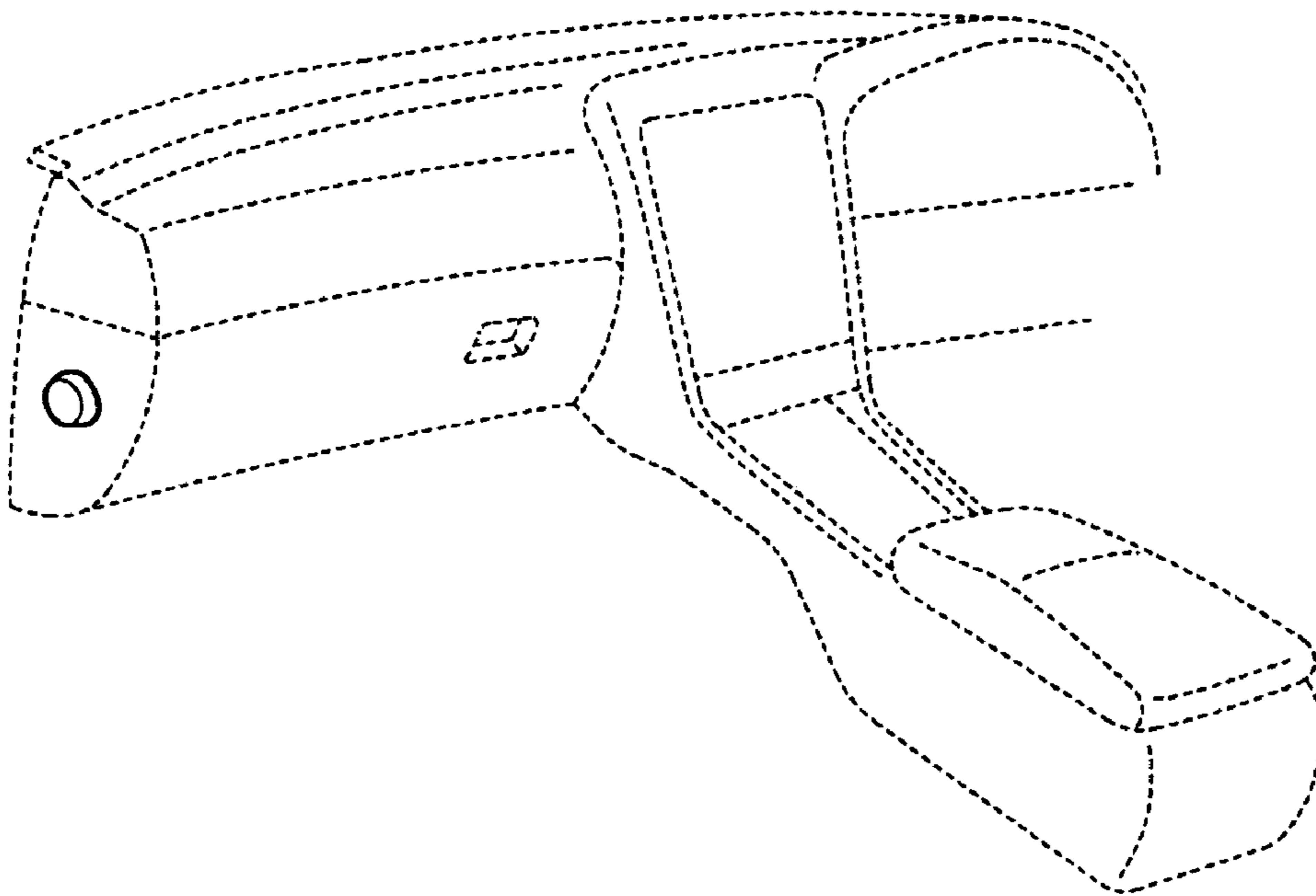


FIG. 9