

US00D654419S

(12) **United States Design Patent**  
**Tomatsu et al.**

(10) **Patent No.:** **US D654,419 S**  
(45) **Date of Patent:** **\*\* Feb. 21, 2012**

(54) **AUTOMOBILE**

(75) Inventors: **Nobuyuki Tomatsu**, Toyota (JP);  
**Katsuhiko Inatomi**, Toyota (JP)

(73) Assignee: **Toyota Jidosha Kabushiki Kaisha** (JP)

(\*\*) Term: **14 Years**

(21) Appl. No.: **29/388,460**

(22) Filed: **Mar. 29, 2011**

(30) **Foreign Application Priority Data**

Oct. 6, 2010 (JP) ..... 2010-023938

(51) **LOC (9) Cl.** ..... **12-16**

(52) **U.S. Cl.** ..... **D12/196**

(58) **Field of Classification Search** ..... D12/184,  
D12/196, 90-92, 86; 280/152.1, 847-849,  
280/851; 296/181.1, 181.5

See application file for complete search history.

(56) **References Cited**

**U.S. PATENT DOCUMENTS**

D508,004 S *	8/2005	Metros et al. ....	D12/196
D531,547 S *	11/2006	Hiruta et al. ....	D12/92
D547,699 S *	7/2007	Okazaki et al. ....	D12/92
D562,188 S *	2/2008	Matsumoto et al. ....	D12/92
D573,522 S *	7/2008	Sato et al. ....	D12/196
D580,331 S *	11/2008	Gueler et al. ....	D12/196
D580,332 S *	11/2008	Gueler et al. ....	D12/196
D592,117 S *	5/2009	Ward .....	D12/196
D592,555 S *	5/2009	Kanno et al. ....	D12/92
D598,355 S *	8/2009	Sato et al. ....	D12/196
D598,813 S *	8/2009	Hiranaka et al. ....	D12/92
D598,823 S *	8/2009	Hiranaka et al. ....	D12/164
D601,072 S *	9/2009	Giachin .....	D12/196

D602,399 S *	10/2009	Sakae et al. ....	D12/91
D602,821 S *	10/2009	Tada et al. ....	D12/164
D605,101 S *	12/2009	Mueller .....	D12/196
D605,572 S *	12/2009	Ward .....	D12/196
D620,841 S *	8/2010	Sakae et al. ....	D12/92
D622,186 S *	8/2010	Miyata et al. ....	D12/92
D622,191 S *	8/2010	Yagi et al. ....	D12/164
D630,555 S *	1/2011	Koshino et al. ....	D12/92
D633,838 S *	3/2011	Loeb .....	D12/196
D633,839 S *	3/2011	Matei et al. ....	D12/196
D636,317 S *	4/2011	Matei et al. ....	D12/196

\* cited by examiner

*Primary Examiner* — Melody N Brown

(74) *Attorney, Agent, or Firm* — SAIDMAN DesignLaw Group

(57) **CLAIM**

The ornamental design for an automobile, as shown and described.

**DESCRIPTION**

FIG. 1 is a front, left perspective view of an automobile showing our new design;

FIG. 2 is a rear, left perspective view thereof;

FIG. 3 is a front view thereof;

FIG. 4 is a rear view thereof;

FIG. 5 is a top view thereof;

FIG. 6 is a left, side view thereof; and,

FIG. 7 is a right, side view thereof.

The claimed design is indicated by the relatively dark portions in the figures, while the relatively light portions are environmental and form no part of the claimed design. The relatively light portions include the side mirrors, the door handles, and the windows.

**1 Claim, 4 Drawing Sheets**





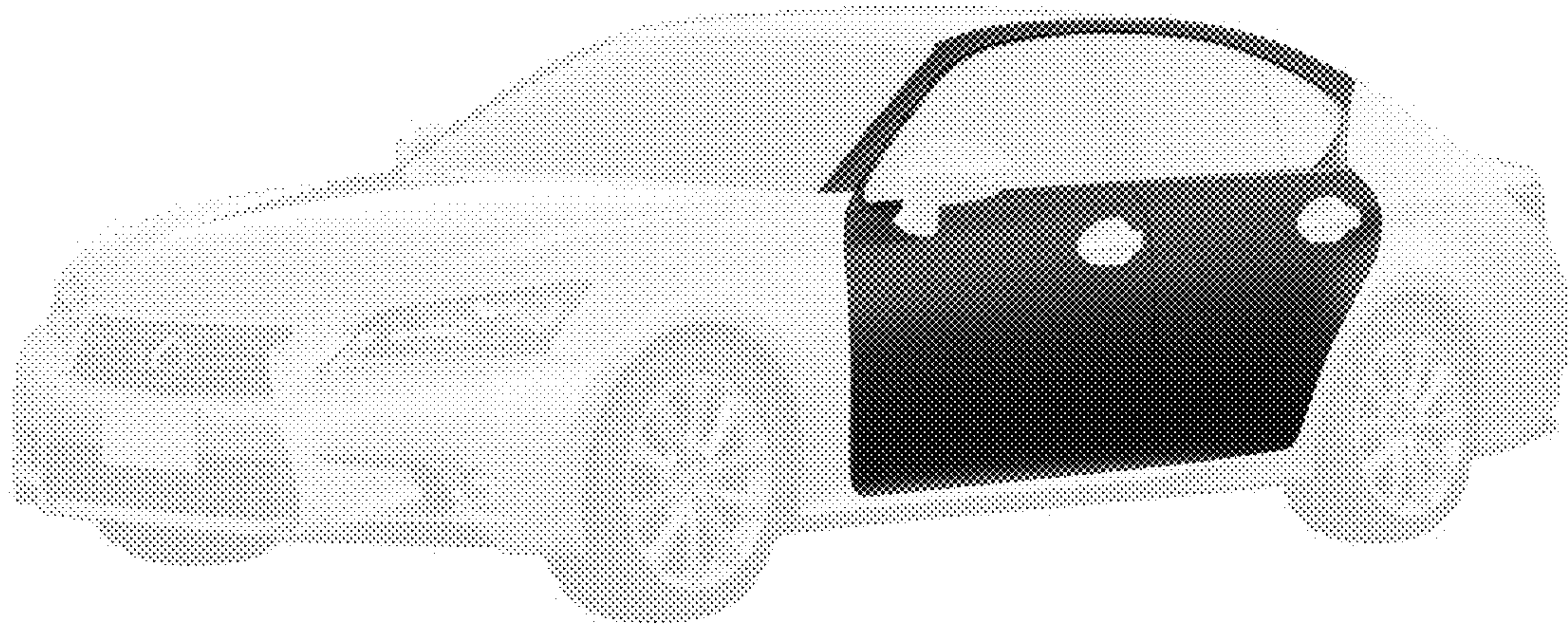


FIG. 1

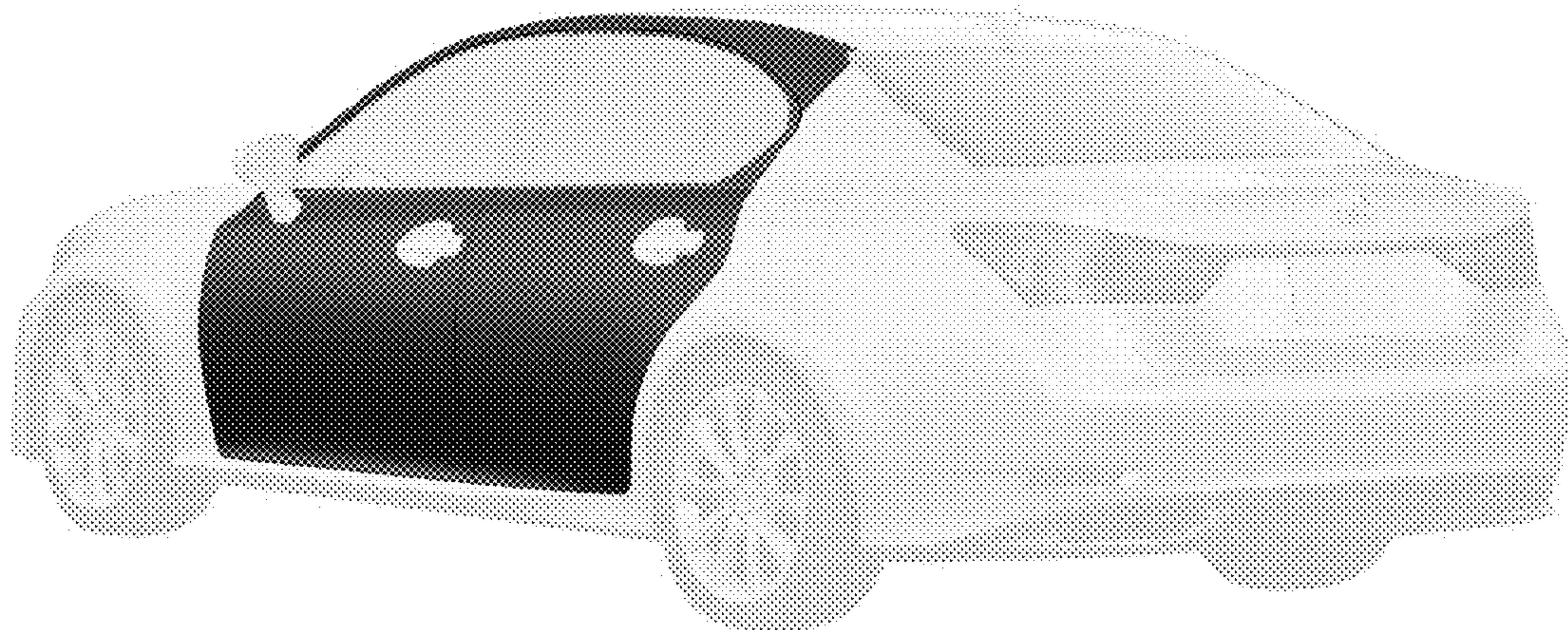
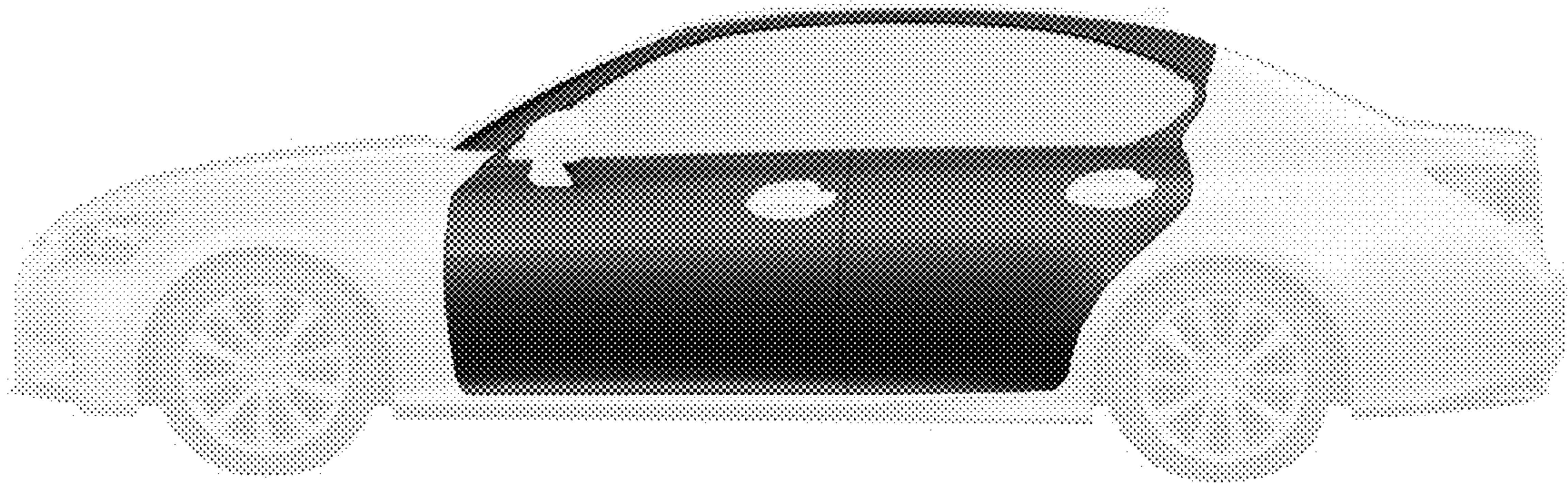
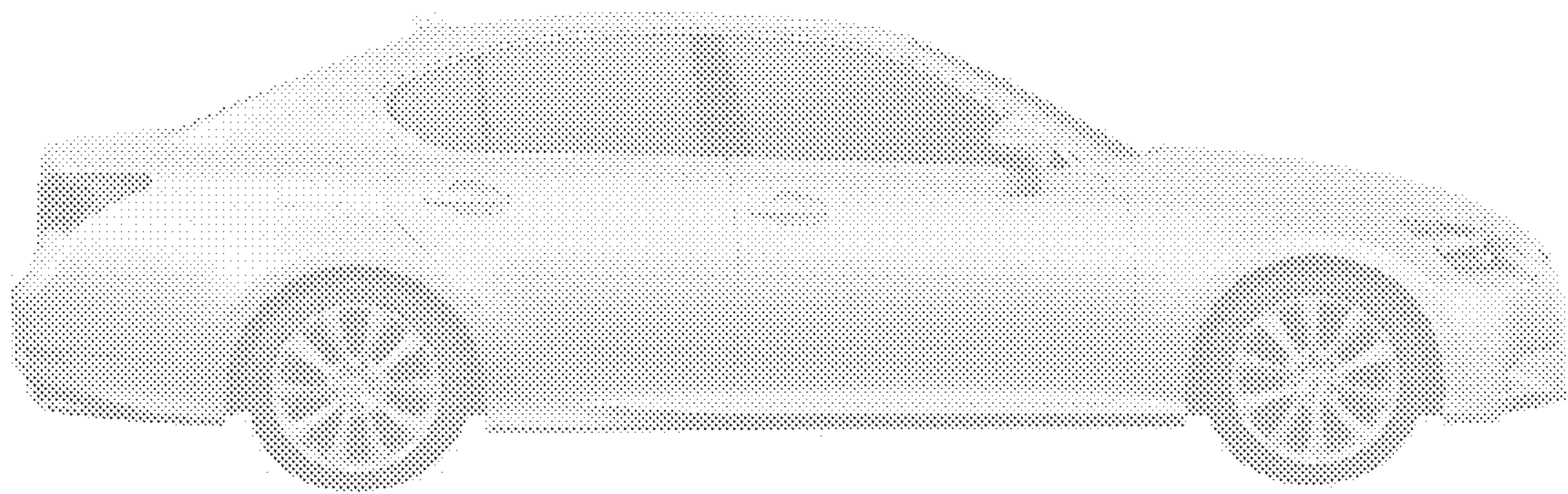


FIG. 2



**FIG. 3**



**FIG. 4**



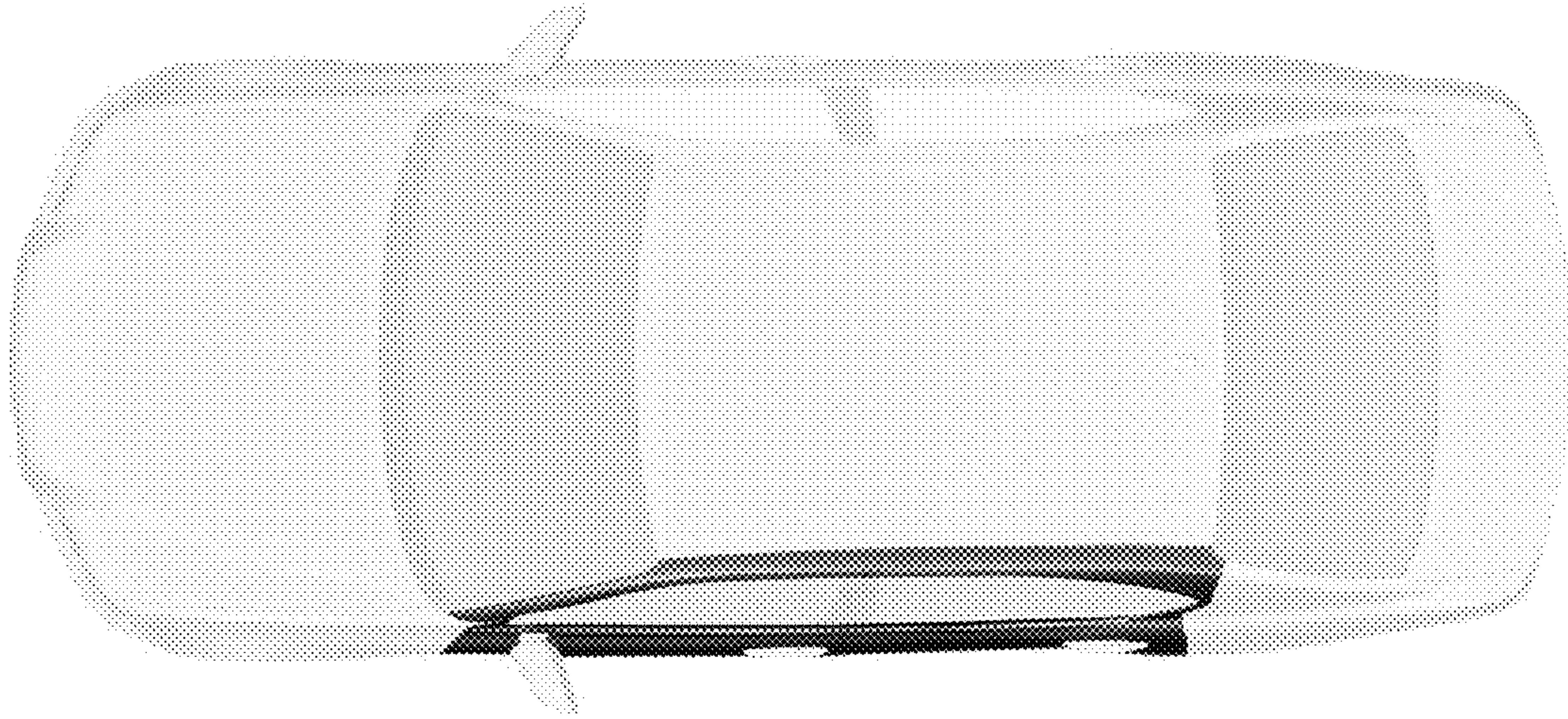


FIG. 5

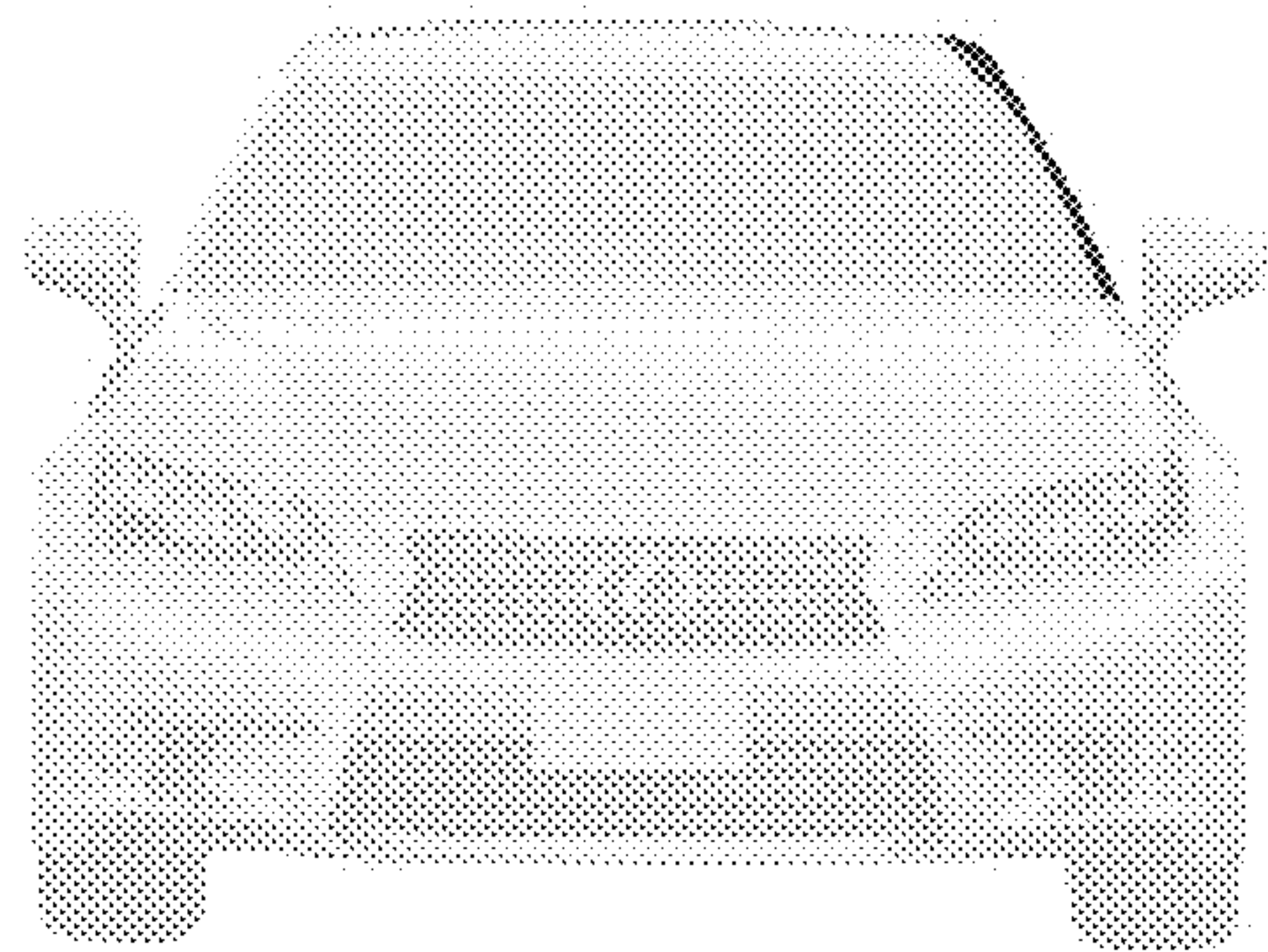


FIG. 6



**FIG. 7**