



US00D654418S

(12) **United States Design Patent**
Hakamata et al.

(10) **Patent No.:** **US D654,418 S**
(45) **Date of Patent:** **** Feb. 21, 2012**

- (54) **DOOR FOR AN AUTOMOBILE**
- (75) Inventors: **Hiroaki Hakamata**, Toyota (JP);
Satoshi Kimura, Nagoya (JP);
Yukinobu Morioka, Ikeda (JP)
- (73) Assignee: **Toyota Jidosha Kabushiki Kaisha**,
Toyota-shi (JP)
- (**) Term: **14 Years**
- (21) Appl. No.: **29/388,406**
- (22) Filed: **Mar. 29, 2011**
- (51) **LOC (9) Cl.** **12-16**
- (52) **U.S. Cl.** **D12/196**
- (58) **Field of Classification Search** D12/196,
D12/90-92, 86; 296/181.1, 181.5
See application file for complete search history.

- D633,839 S * 3/2011 Matei et al. D12/196
- D640,958 S 7/2011 Yokoi et al.
- D642,093 S 7/2011 Kubo et al.

OTHER PUBLICATIONS

Website: URL:<http://catalog.carsensorlab.net/mazda/mpv>, Mazda MPV, Date: Jan. 2008.
 Website: URL:<http://www.three2tango.com/car-and-bike-corner/toyota-avanza-the-mini-innova-coming-to-india.html>, Toyota Avanza, Date: Dec. 3, 2009.
 Website: URL:<http://techwizardz.blogspot.com/2010/02/toyota-avanza-stills-and-wallpapers.html>, Toyota Avanza, Date: Dec. 3, 2009.

* cited by examiner

Primary Examiner — Melody N Brown
 (74) *Attorney, Agent, or Firm* — Finnegan, Henderson, Farabow, Garrett & Dunner, LLP

(57) **CLAIM**

The ornamental design for a door for an automobile, as shown and described.

DESCRIPTION

FIG. 1 is a front perspective view of a door for an automobile of our new design;
 FIG. 2 is a front view thereof;
 FIG. 3 is a rear view thereof;
 FIG. 4 is a top plan view thereof;
 FIG. 5 is a bottom view thereof;
 FIG. 6 is a right side view thereof; and,
 FIG. 7 is a left side view thereof.
 Our design includes the mirror image of the embodiment depicted.

1 Claim, 4 Drawing Sheets

(56) **References Cited**

U.S. PATENT DOCUMENTS

- D479,491 S 9/2003 Kato et al.
- D491,860 S * 6/2004 Velazco D12/196
- D525,564 S 7/2006 Akamine et al.
- D525,910 S 8/2006 Sugiura et al.
- D563,275 S 3/2008 Kim et al.
- D575,678 S 8/2008 Matsumoto et al.
- D576,532 S * 9/2008 Hildebrand et al. D12/196
- D580,331 S * 11/2008 Gueler et al. D12/196
- D583,284 S * 12/2008 Schell D12/163
- D619,503 S 7/2010 Ishibashi et al.
- D619,510 S 7/2010 Suzuki et al.
- D631,811 S * 2/2011 Schneider D12/196

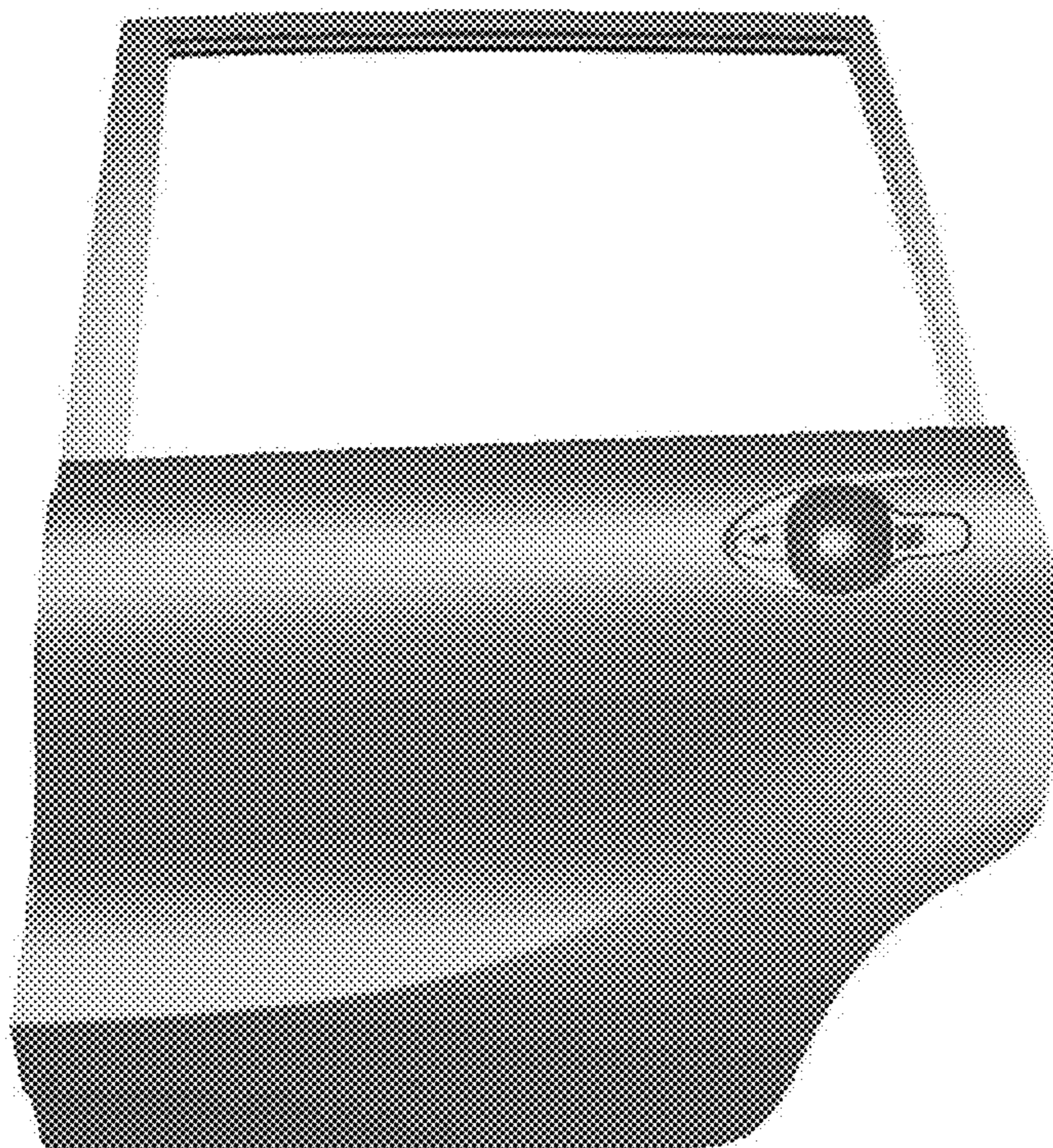




FIG. 1

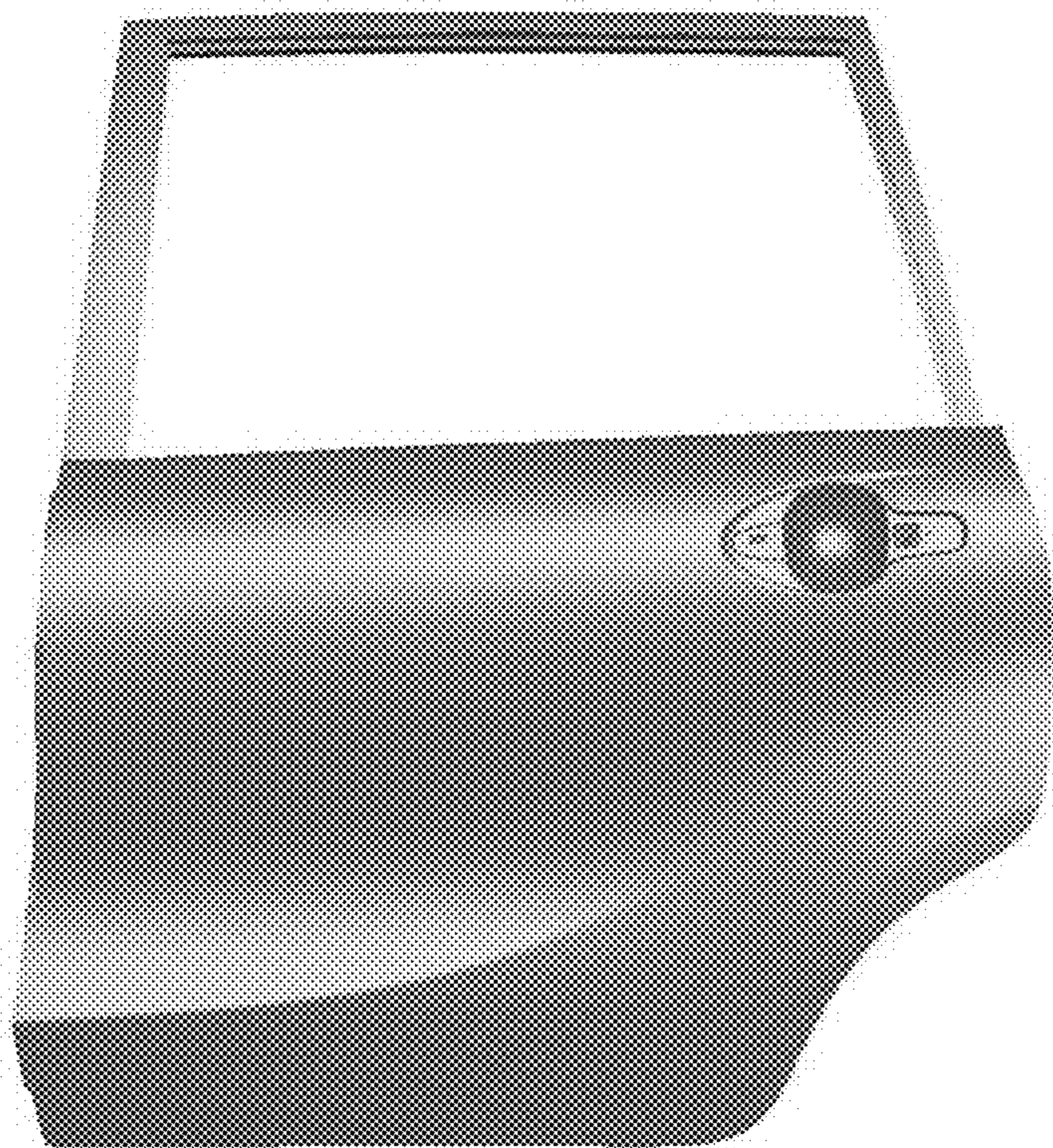


FIG. 2

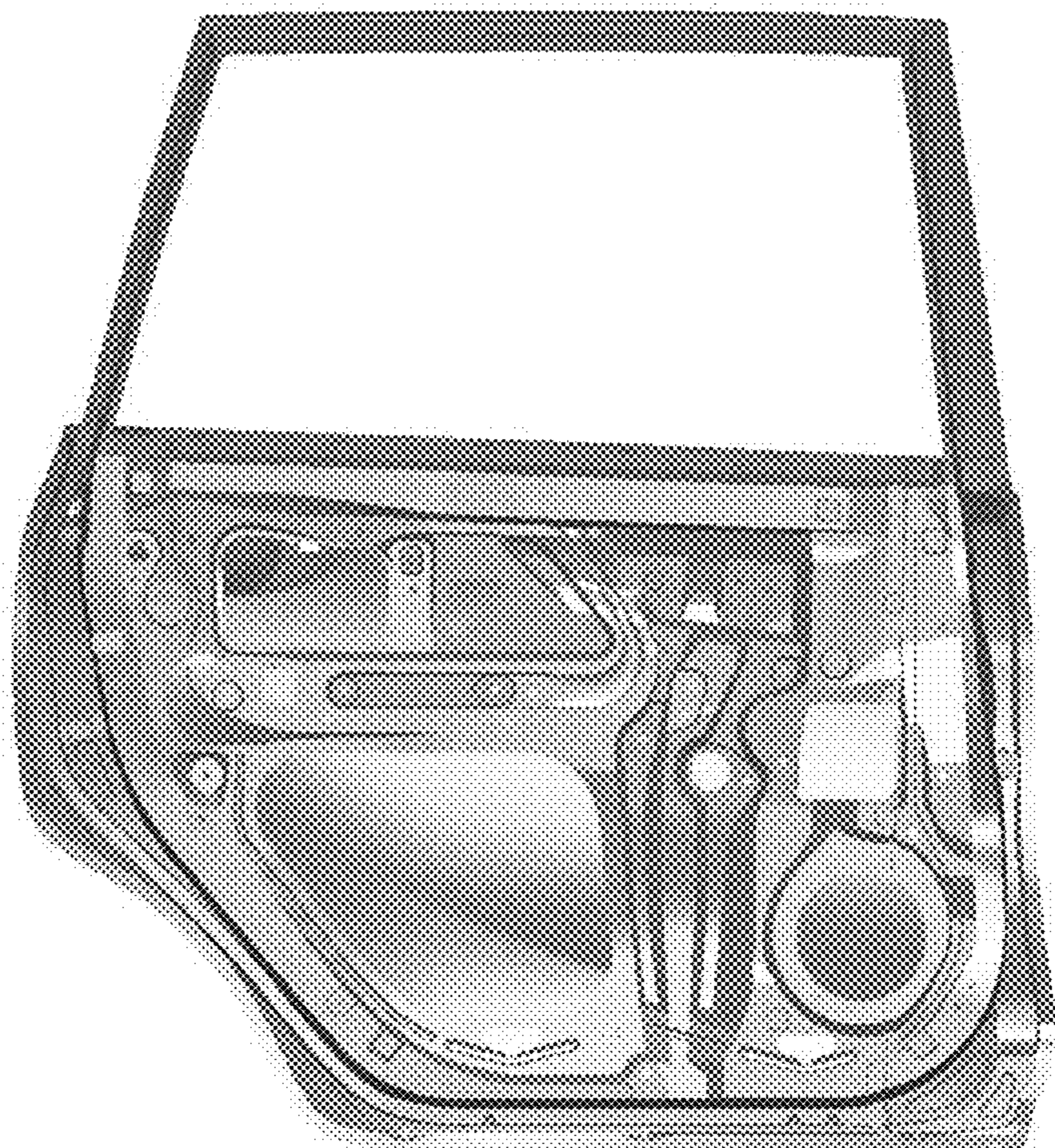


FIG. 3



FIG. 4

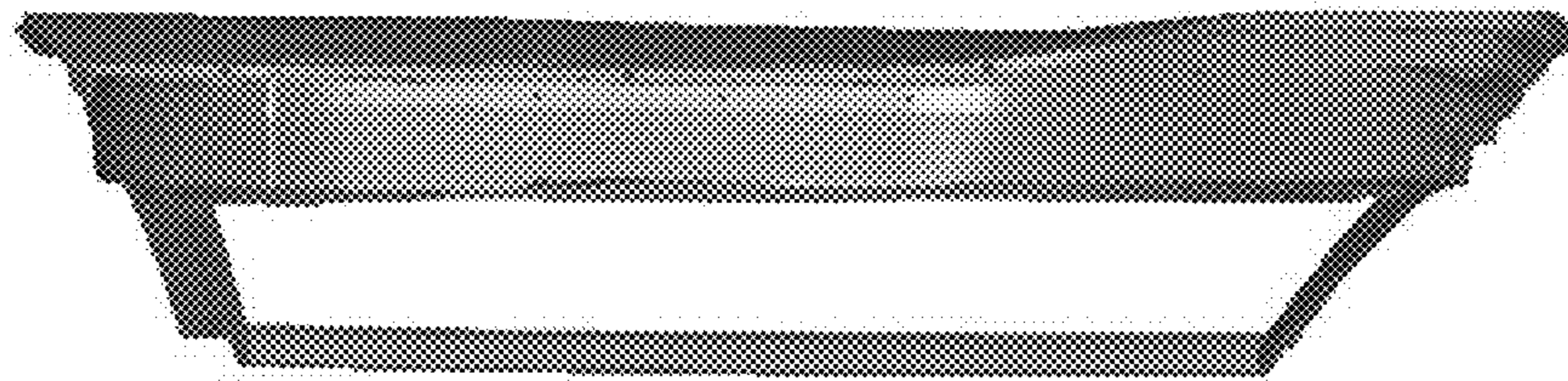


FIG. 5

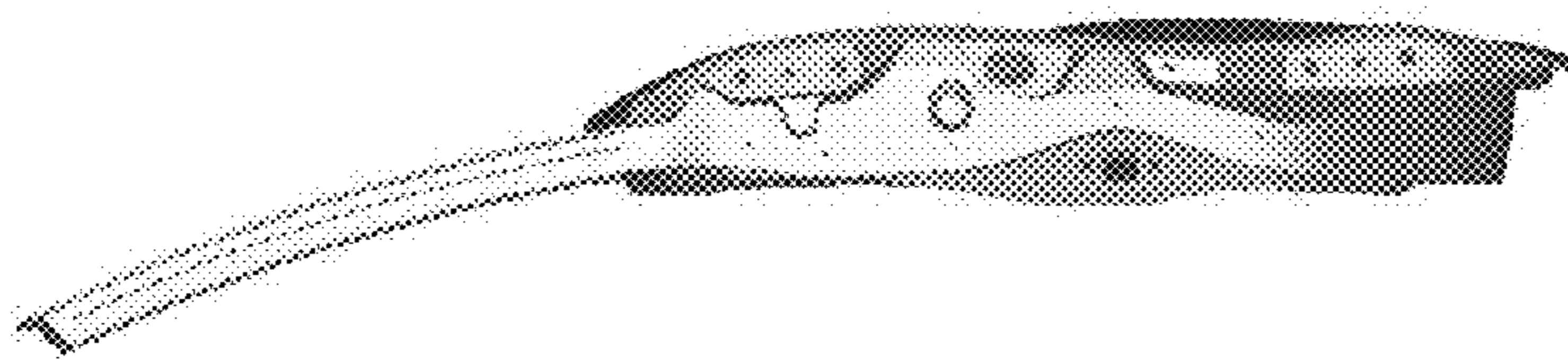


FIG. 7

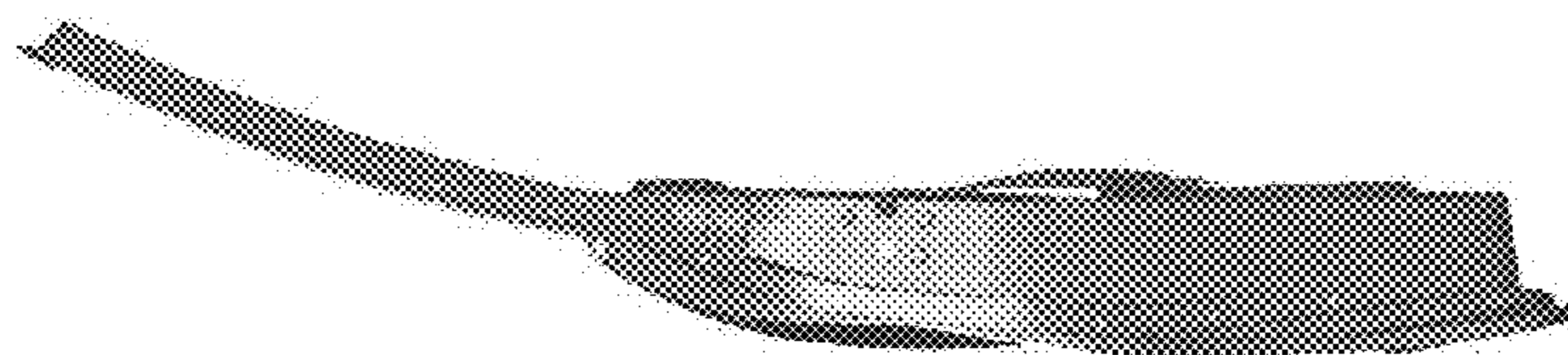


FIG. 6