



US00D654416S

(12) **United States Design Patent**  
**Lemon**

(10) **Patent No.:** **US D654,416 S**

(45) **Date of Patent:** **\*\* Feb. 21, 2012**

(54) **EXHAUST PIPE SET FOR A MINIVAN**

(76) Inventor: **Shawna Cannon Lemon**, Morrisville,  
NC (US)

(\*\*) Term: **14 Years**

(21) Appl. No.: **29/388,367**

(22) Filed: **Mar. 28, 2011**

**Related U.S. Application Data**

(60) Continuation-in-part of application No. 29/370,303,  
filed on Jun. 28, 2010, now Pat. No. Des. 635,074,  
which is a division of application No. 29/314,790, filed  
on Apr. 29, 2009, now Pat. No. Des. 618,603.

(51) **LOC (9) Cl.** ..... **12-16**

(52) **U.S. Cl.** ..... **D12/194**

(58) **Field of Classification Search** ..... D12/82-100,  
D12/194; 138/37-39, 44, 103, 109; 180/89.2,  
180/296, 309; 181/227, 228, 239-241, 247-249,  
181/264, 282; 29/890.08; D15/5; 60/303,  
60/313, 323; 293/113

See application file for complete search history.

(56) **References Cited**

**U.S. PATENT DOCUMENTS**

D435,815 S \* 1/2001 Larson ..... D12/169  
D440,527 S \* 4/2001 Wagner et al. .... D12/92  
D479,156 S \* 9/2003 Meadows ..... D12/91  
D488,114 S \* 4/2004 Kulla ..... D12/194

D534,469 S \* 1/2007 Murkett ..... D12/194  
D540,231 S \* 4/2007 Braun et al. .... D12/194  
D553,062 S \* 10/2007 Murkett ..... D12/194  
D577,633 S \* 9/2008 van Braeckel ..... D12/92  
D633,822 S \* 3/2011 Cha ..... D12/91

\* cited by examiner

*Primary Examiner* — T. Chase Nelson

*Assistant Examiner* — Michael Pratt

(57) **CLAIM**

The ornamental design for an exhaust pipe set for a minivan,  
substantially as shown and described.

**DESCRIPTION**

FIG. 1 is a partial perspective view of the present design  
showing an exhaust pipe set for a minivan;

FIG. 2 is a rear view thereof;

FIG. 3 is a side view thereof, the opposite side being a mirror  
image thereof;

FIG. 4 is a top view thereof;

FIG. 5 is a partial perspective view of another embodiment of  
the present design showing an exhaust pipe set for a minivan;

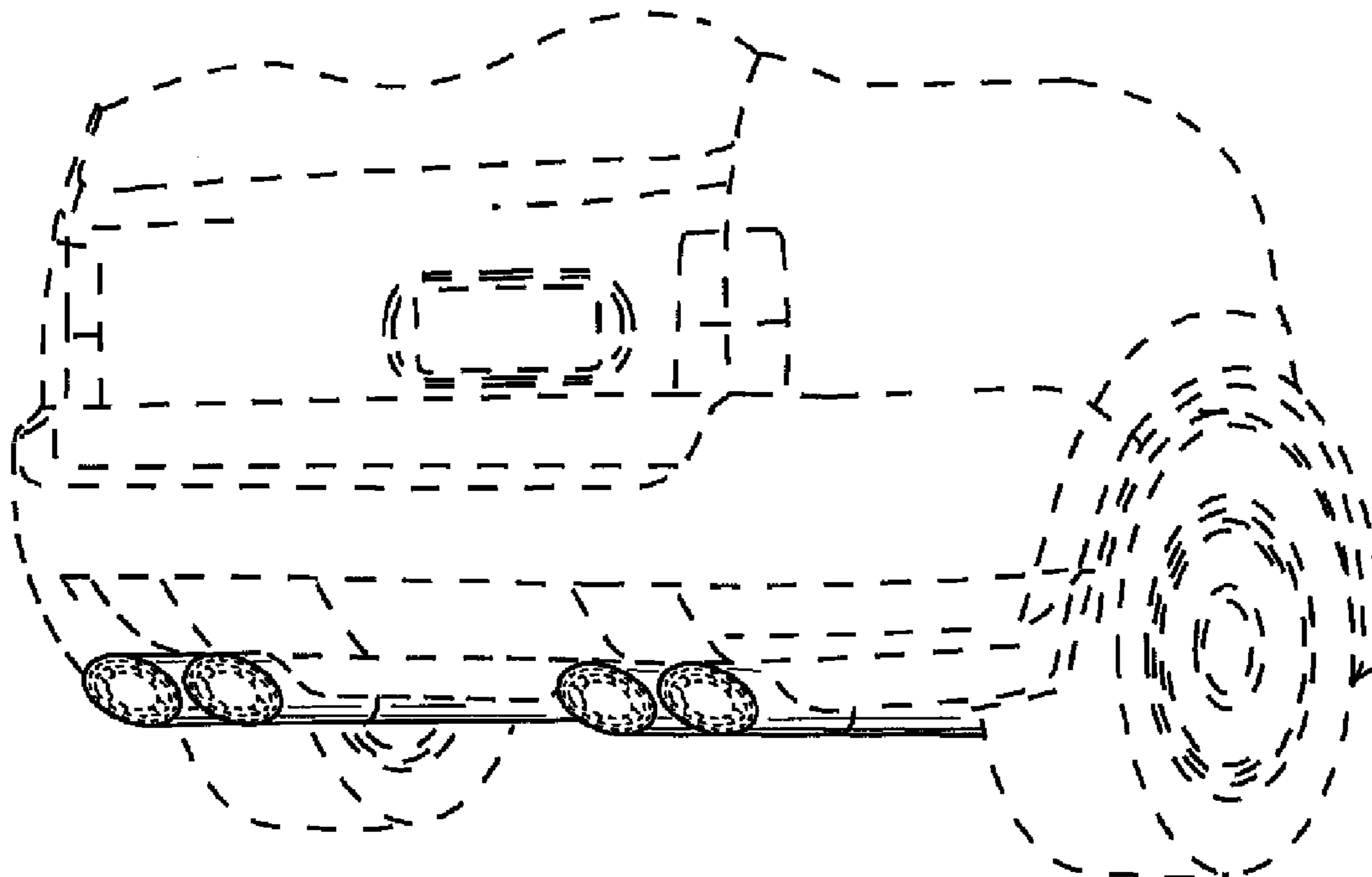
FIG. 6 is a rear view thereof;

FIG. 7 is a side view thereof, the opposite side being a mirror  
image thereof; and,

FIG. 8 is a top view thereof.

The bottom view is disclaimed herein. The portions of the  
design shown in broken/dashed lines are for illustrative pur-  
poses only and form no part of the claimed design.

**1 Claim, 6 Drawing Sheets**



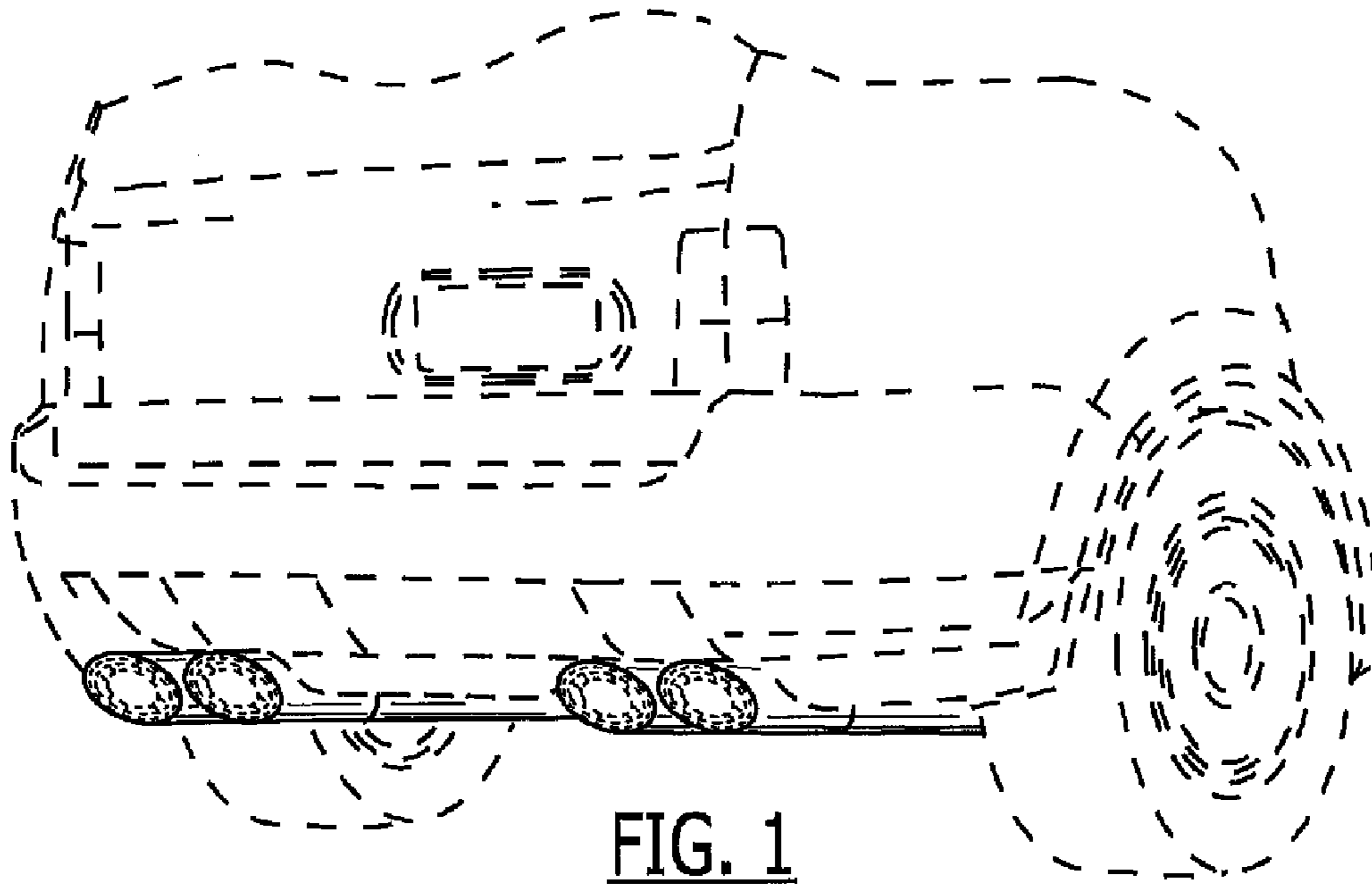


FIG. 1

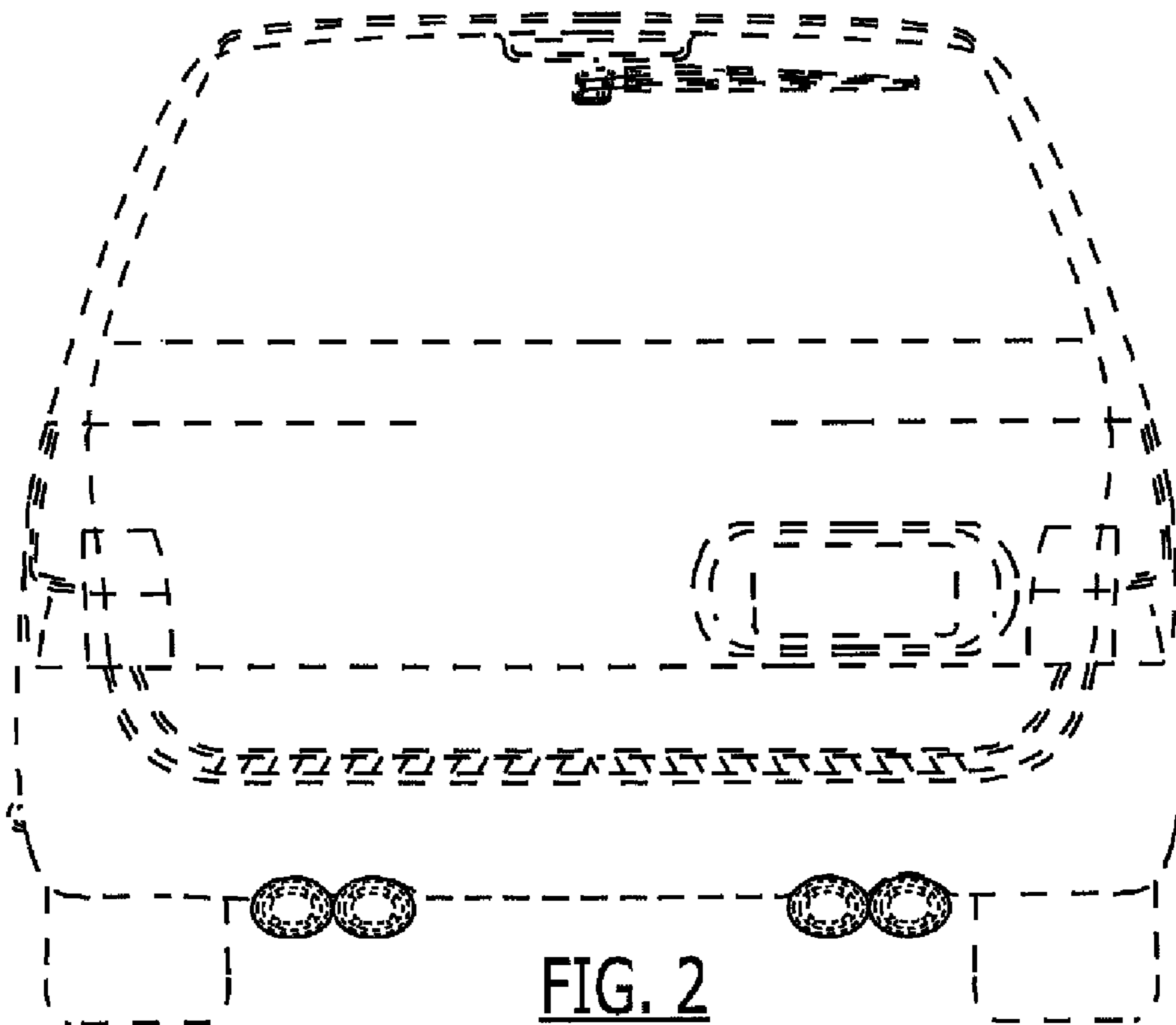


FIG. 2

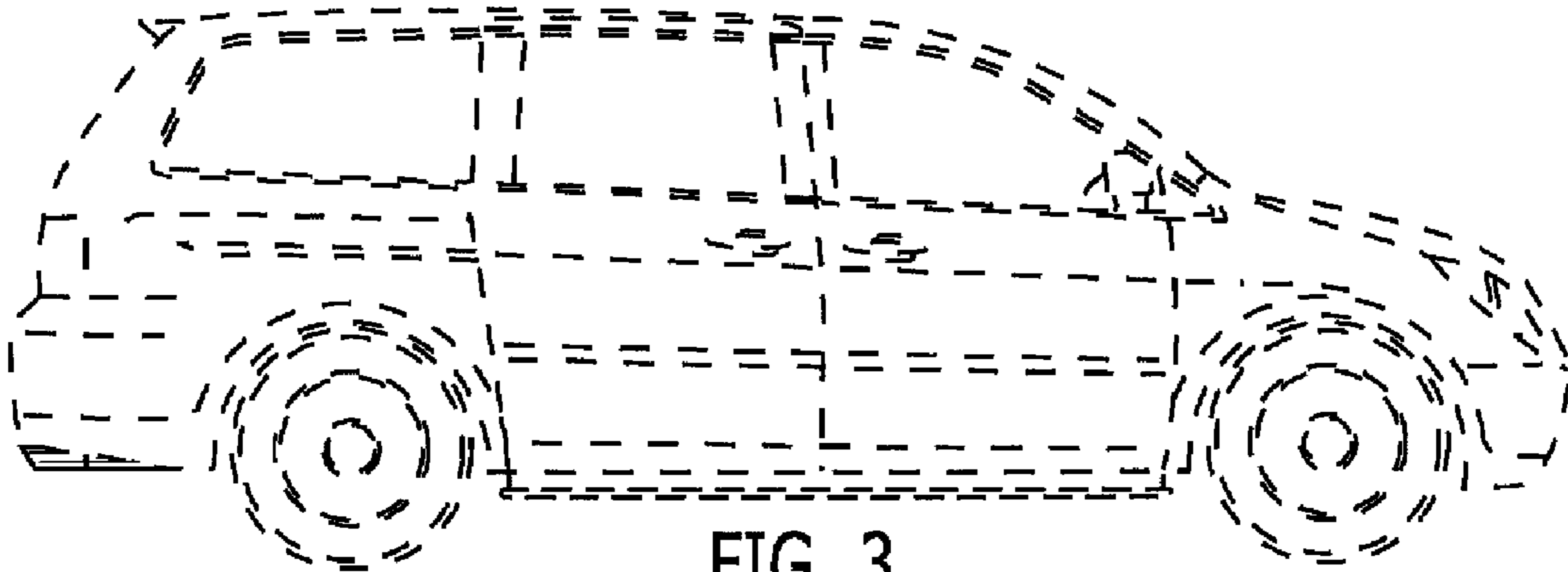


FIG. 3

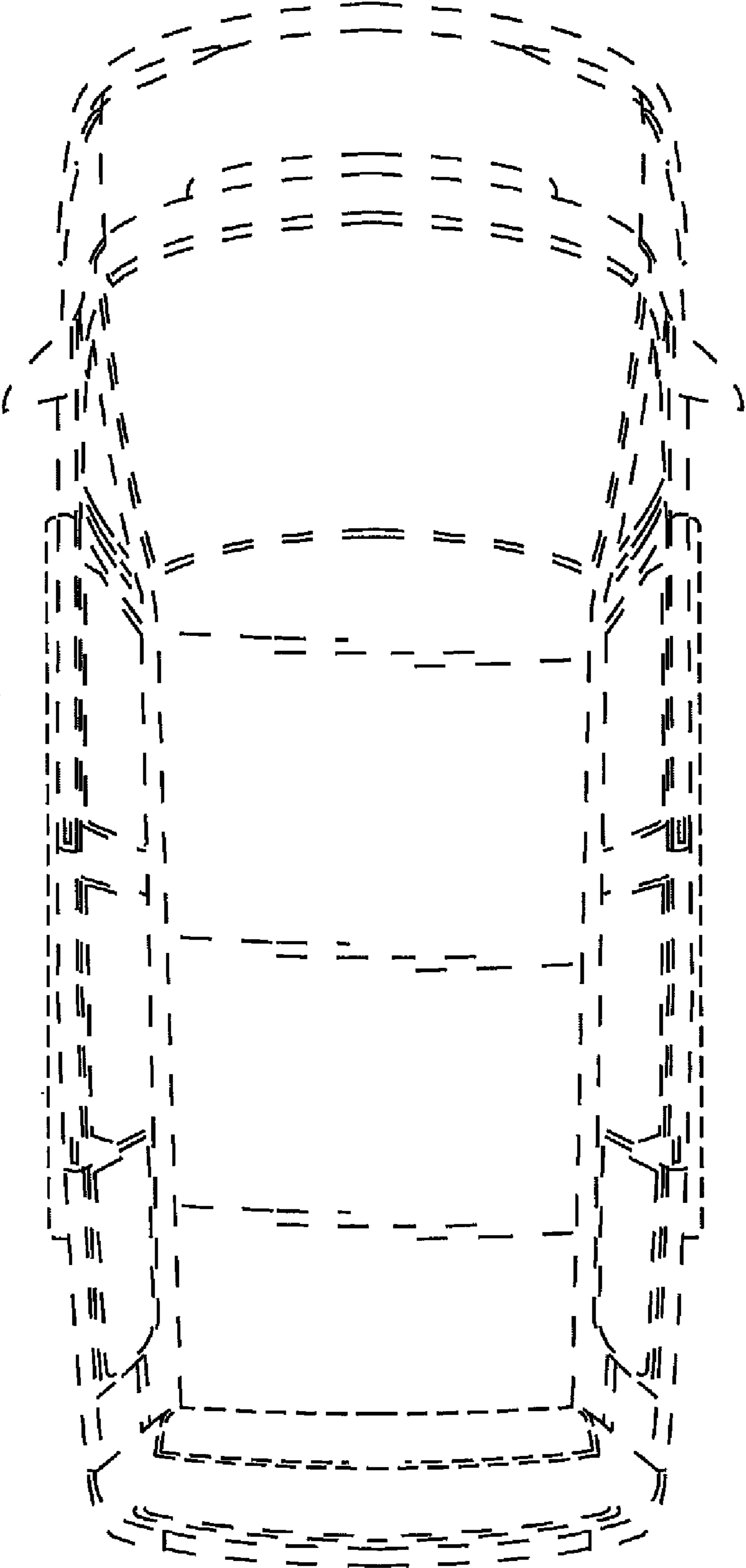


FIG. 4

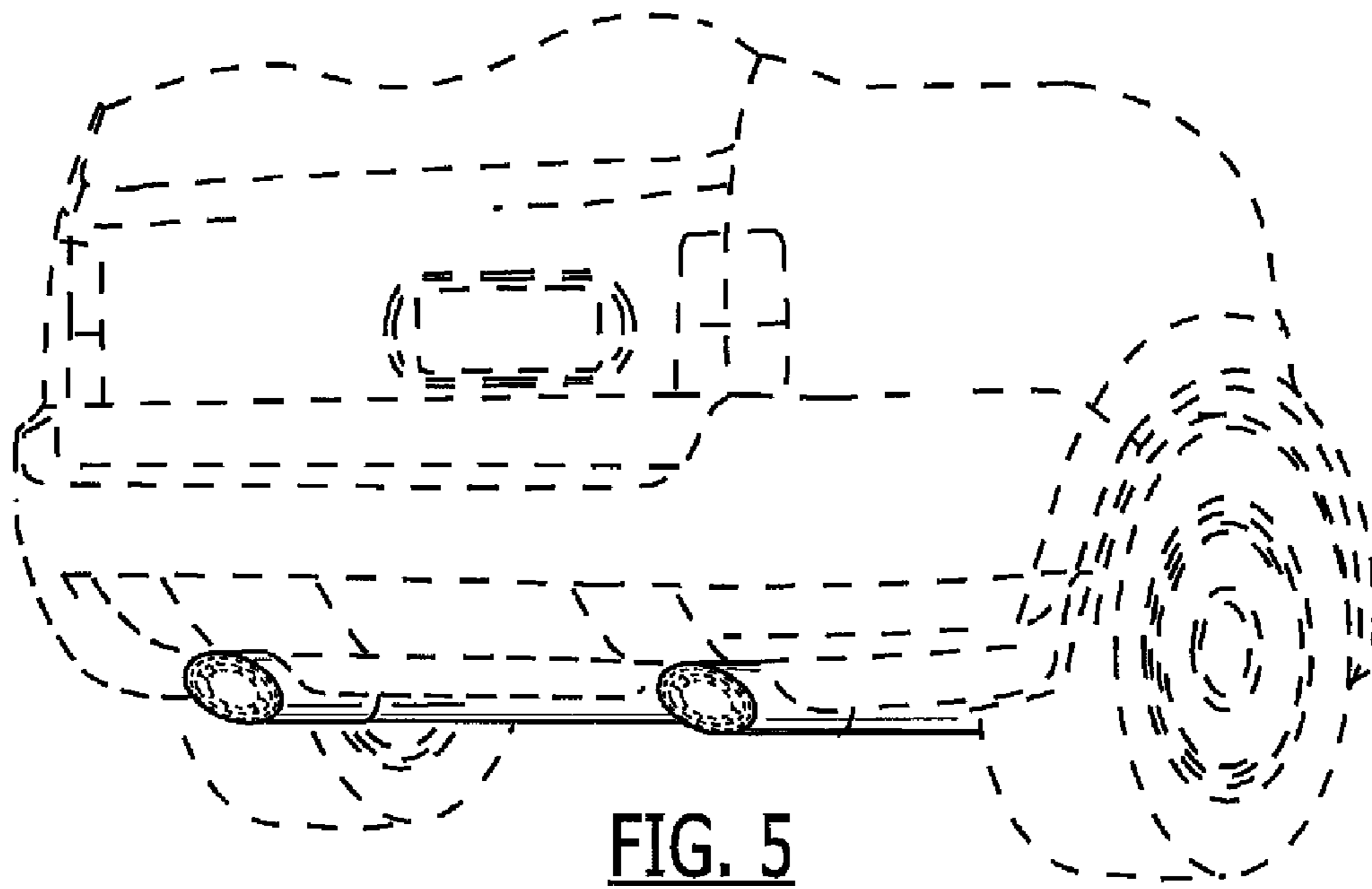


FIG. 5

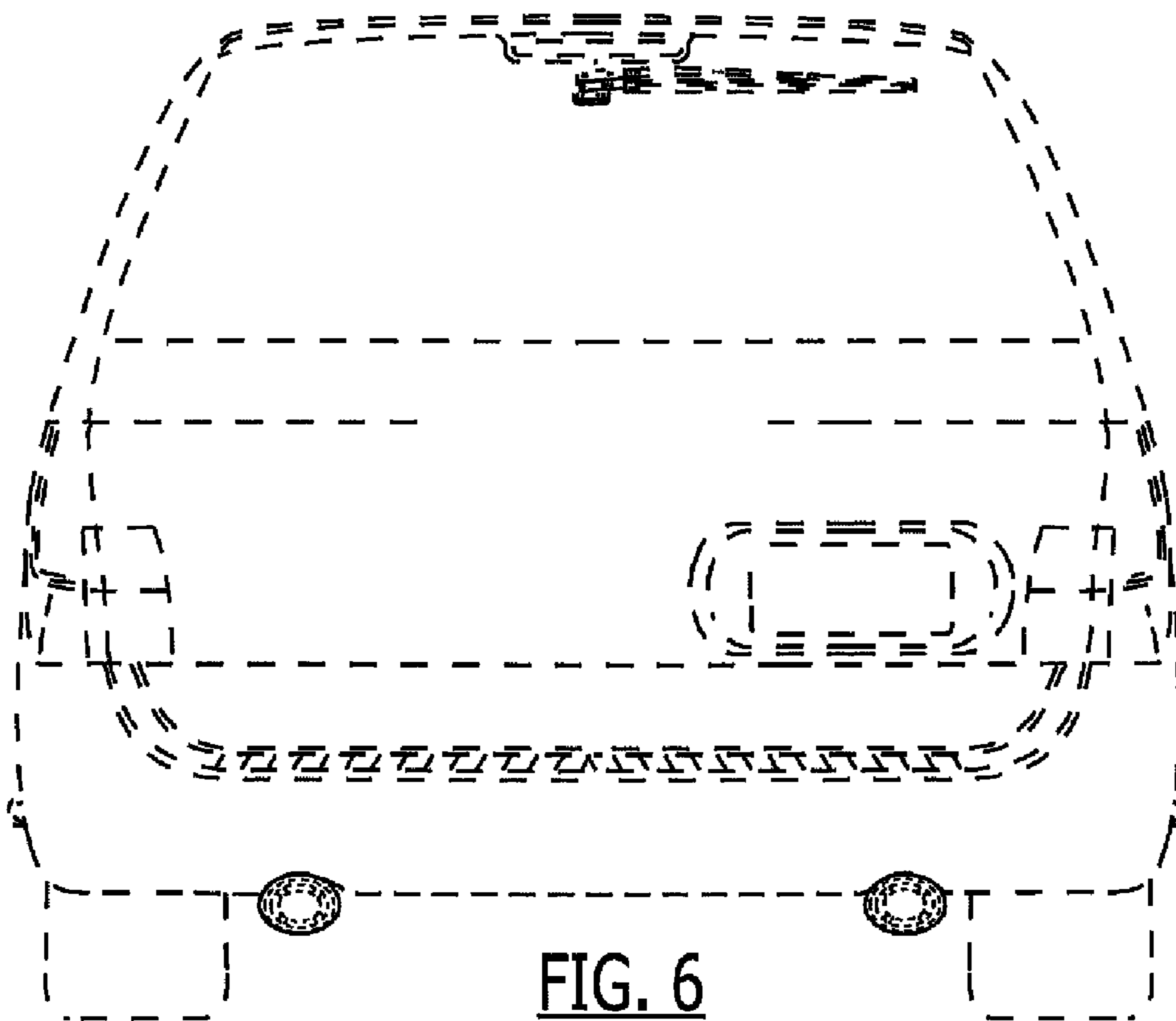


FIG. 6

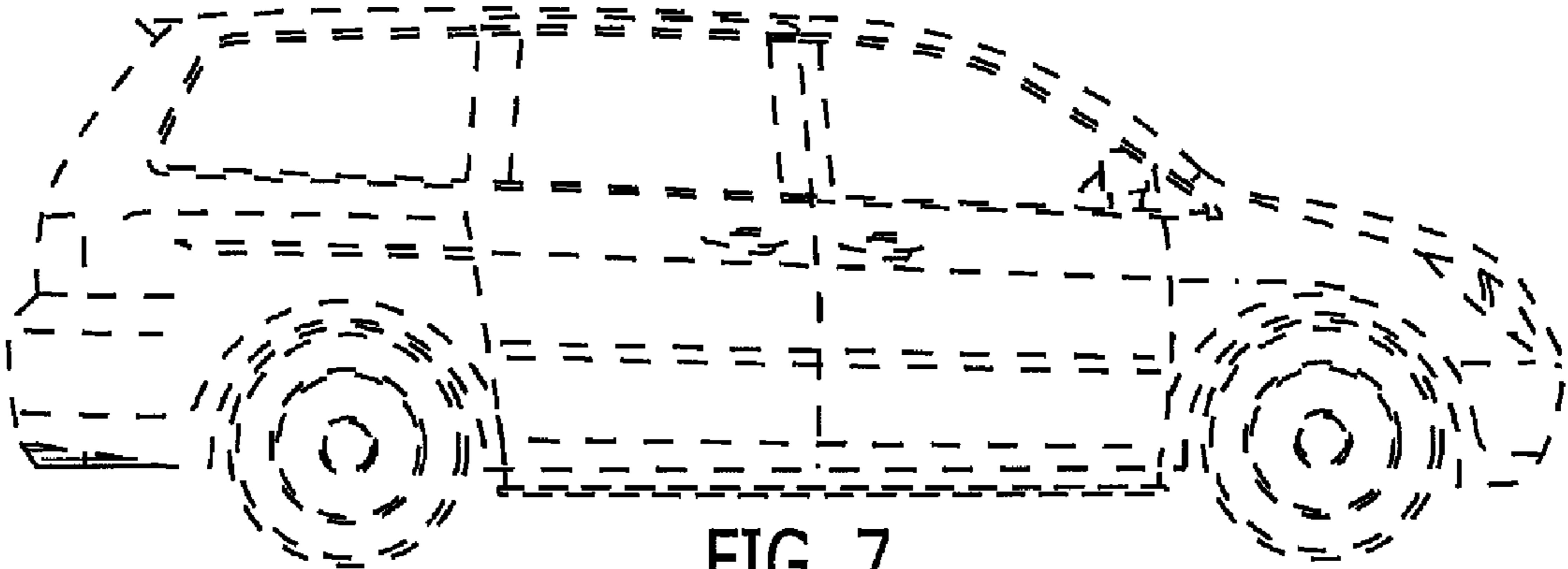


FIG. 7

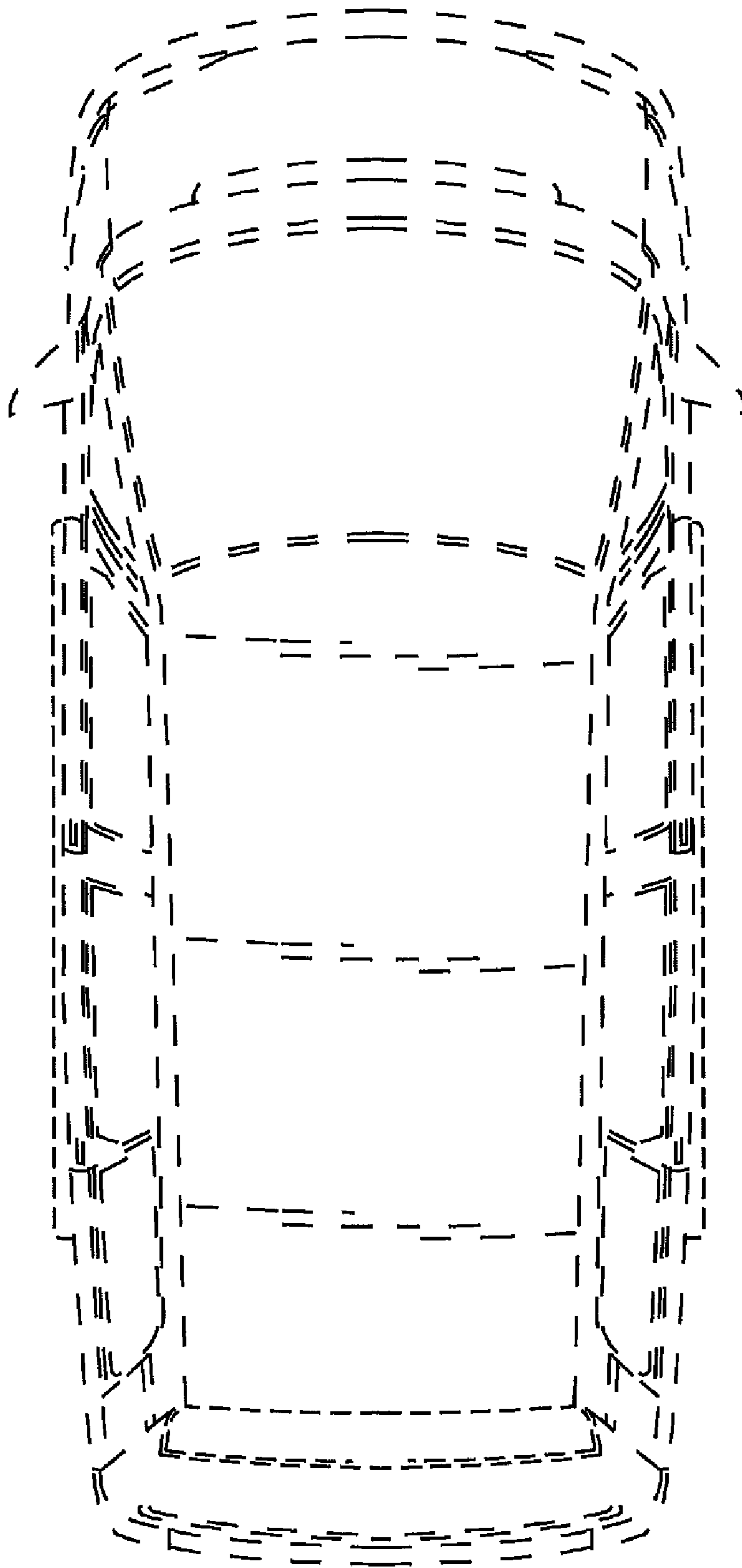


FIG. 8