



US00D654408S

(12) **United States Design Patent**
Spalding et al.

(10) **Patent No.:** **US D654,408 S**

(45) **Date of Patent:** **** Feb. 21, 2012**

(54) **WHEELCHAIR FRAME**

(75) Inventors: **Joseph Spalding**, Akron, OH (US);
Damon Jurkiewicz, Cleveland, OH
(US); **Daniel James Yee**, Parma, OH
(US); **Traian Mohan**, Parma, OH (US)

(73) Assignee: **Invacare Corp.**, Elyria, OH (US)

(**) Term: **14 Years**

(21) Appl. No.: **29/378,840**

(22) Filed: **Nov. 10, 2010**

(51) **LOC (9) Cl.** **12-12**

(52) **U.S. Cl.** **D12/133**

(58) **Field of Classification Search** D12/128-133;
280/62, 647-650, 29, 200, 47.38, 250.1,
280/259, 642, 658; 296/65.03, 65.04; 224/409;
297/DIG. 4

See application file for complete search history.

(56) **References Cited**

U.S. PATENT DOCUMENTS

D231,801 S	6/1974	Pivacek
3,865,427 A	2/1975	Delany
4,025,112 A	5/1977	Hale
4,961,610 A	10/1990	Reeder et al.
5,018,788 A	5/1991	Cedergreen
5,033,792 A	7/1991	Kanazawa
D333,737 S	3/1993	Adams
5,275,466 A	1/1994	Rentchler, Jr.
D365,787 S	1/1996	Peterson et al.
D380,991 S	7/1997	Deming
5,820,221 A	10/1998	Greaves et al.
D414,453 S	9/1999	Tsai
6,003,891 A	12/1999	Broadhead
6,015,190 A	1/2000	Wend
6,352,273 B1	3/2002	Dickie

(Continued)

FOREIGN PATENT DOCUMENTS

FR 2845893 4/2004

(Continued)

OTHER PUBLICATIONS

Invacare Corporation, User Manual, FDX Power Wheelchair Base
FDX, FDX-CG, FDX-MCG, 96 pgs., Rev A - 09/10, copyright 2010.

(Continued)

Primary Examiner — Ian Simmons

Assistant Examiner — Charles Hanson

(74) *Attorney, Agent, or Firm* — Calfee, Halter & Griswold,
LLP

(57) **CLAIM**

The ornamental design for a wheelchair frame, as shown and
described.

DESCRIPTION

FIG. 1 is a perspective view of an embodiment of a wheelchair
frame;

FIG. 2 is a front view of the wheelchair frame design shown
in FIG. 1;

FIG. 3 is a rear view of the wheelchair frame design shown in
FIG. 1;

FIG. 4 is a top view of the wheelchair frame design shown in
FIG. 1;

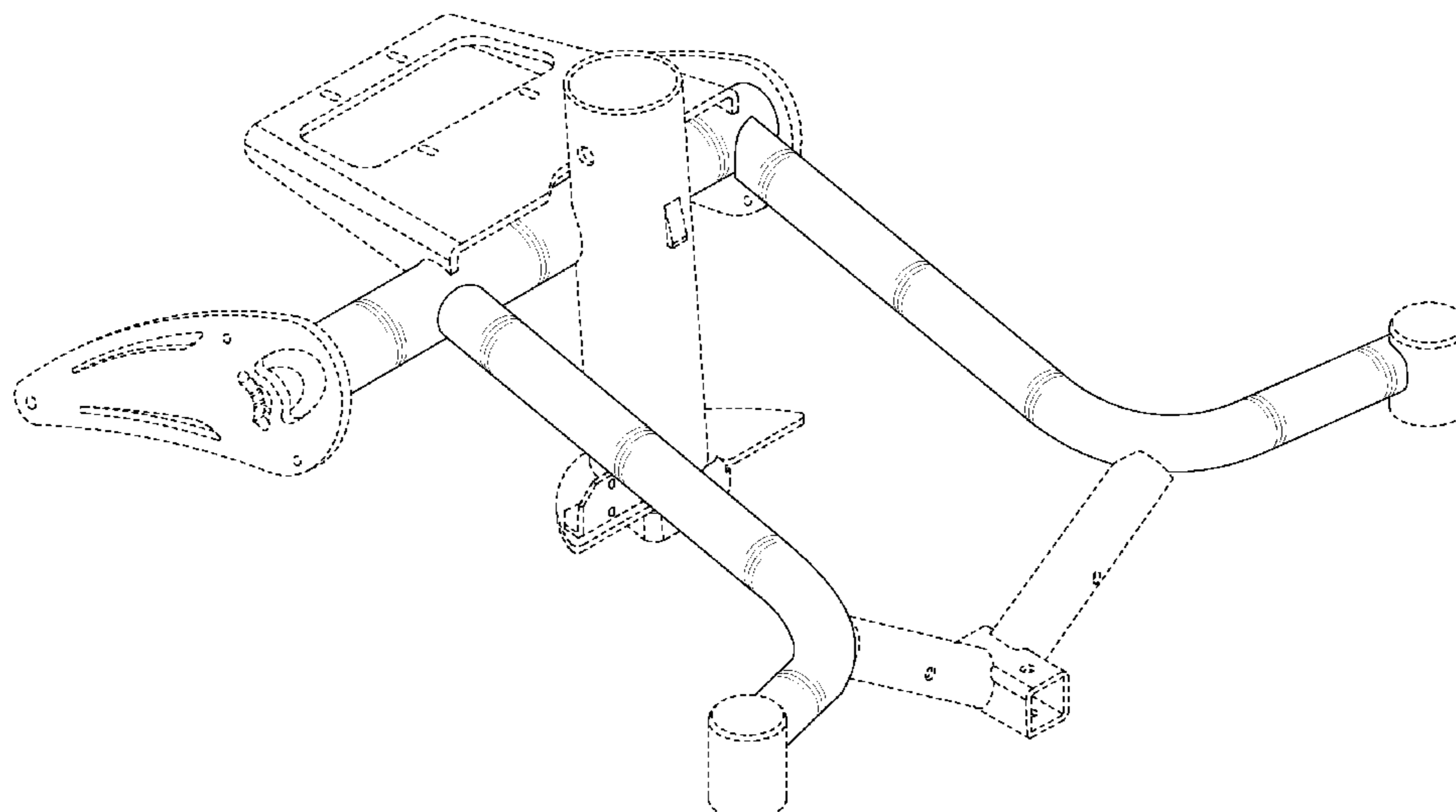
FIG. 5 is a bottom view of the wheelchair frame design shown
in FIG. 1;

FIG. 6 is a right side view of the wheelchair frame design
shown in FIG. 1; and,

FIG. 7 is a left side view of the wheelchair frame design
shown in FIG. 1.

The broken lines shown in the drawings are for illustrative
purposes only and form no part of the claimed design. The
surface shading illustrated in the drawings is provided merely
to highlight the contour of the design and is not intended to be
illustrative texture or gloss.

1 Claim, 5 Drawing Sheets



US D654,408 S

Page 2

U.S. PATENT DOCUMENTS

6,386,638 B1 5/2002 Strauch
D462,639 S 9/2002 Lin
6,459,962 B2 10/2002 Ulrich et al.
D468,669 S * 1/2003 Hopely, Jr. D12/131
D477,261 S 7/2003 Lin
6,669,299 B2 12/2003 Carlson et al.
D486,762 S 2/2004 He
D491,115 S * 6/2004 Taylor D12/131
D491,494 S * 6/2004 Lippert D12/128
D494,110 S 8/2004 Cheng
6,938,923 B2 * 9/2005 Mulhern et al. 280/755
D521,909 S * 5/2006 Gillett et al. D12/133
7,040,429 B2 5/2006 Molnar
D523,788 S 6/2006 Jones et al.
D524,196 S 7/2006 You
D529,844 S 10/2006 Chen et al.
D536,187 S 2/2007 Goebert et al.
D536,887 S 2/2007 Goebert et al.
D540,221 S * 4/2007 Cartellone et al. D12/133
7,204,556 B2 4/2007 Schwerdtner et al.
7,229,132 B2 6/2007 Meeker et al.
D559,741 S 1/2008 Lasher, III
D569,769 S 5/2008 Chiu et al.
7,370,876 B2 5/2008 Hsu et al.
7,413,045 B2 8/2008 Tien
7,472,959 B1 1/2009 Ratza et al.
D585,794 S 2/2009 Lin
D589,411 S 3/2009 Brown et al.
D590,304 S 4/2009 Kruse
D608,550 S 1/2010 Sollberger et al.
D614,541 S 4/2010 Storm
7,694,991 B2 4/2010 Mills et al.
D615,461 S 5/2010 Storm
D632,229 S 2/2011 Kruse

2001/0013437 A1 8/2001 Husted et al.
2003/0056329 A1 3/2003 Coman et al.
2004/0239169 A1 12/2004 De Nichilo
2006/0082098 A1 4/2006 Harris
2007/0107963 A1 5/2007 Chiu
2007/0195081 A1 8/2007 Fischer
2008/0087481 A1 4/2008 Grymko et al.

FOREIGN PATENT DOCUMENTS

WO 97/046516 12/1997

OTHER PUBLICATIONS

Invacare Corporation, Operator and Maintenance Manual, Pronto M5I and M6I with SureStep, 80 pgs., Rev J - 10/08, copyright 2008.
Invacare Corporation, product Catalog, copyright 2004, printed Feb. 18, 2011, 14 pgs.
Invacare Corporation, At'm (Take Along Chair), 2 page brochure, copyright 2009.
Invacare Corporation, FDX Front-Wheel Drive Power Wheelchair, 4 page brochure, copyright 2010.
Invacare Corporation, Nutron R51, 2 page brochure, copyright 2006.
Invacare Corporation, P9000 XDT, 2 page brochure, copyright 2007.
Invacare Corporation, Pronto M51, 4 page brochure, copyright 2010.
Invacare Corporation, Pronto M51 with Formula CG Seating, 2 page web printout, printed Feb. 18, 2011.
Invacare Corporation, The New TDX Family, 26 page brochure, copyright 2008.
Invacare Corporation, Storm Series, 16 page brochure, copyright 2010.
International Search Report and Written Opinion from PCT/US11/28626 dated May 20, 2011.

* cited by examiner

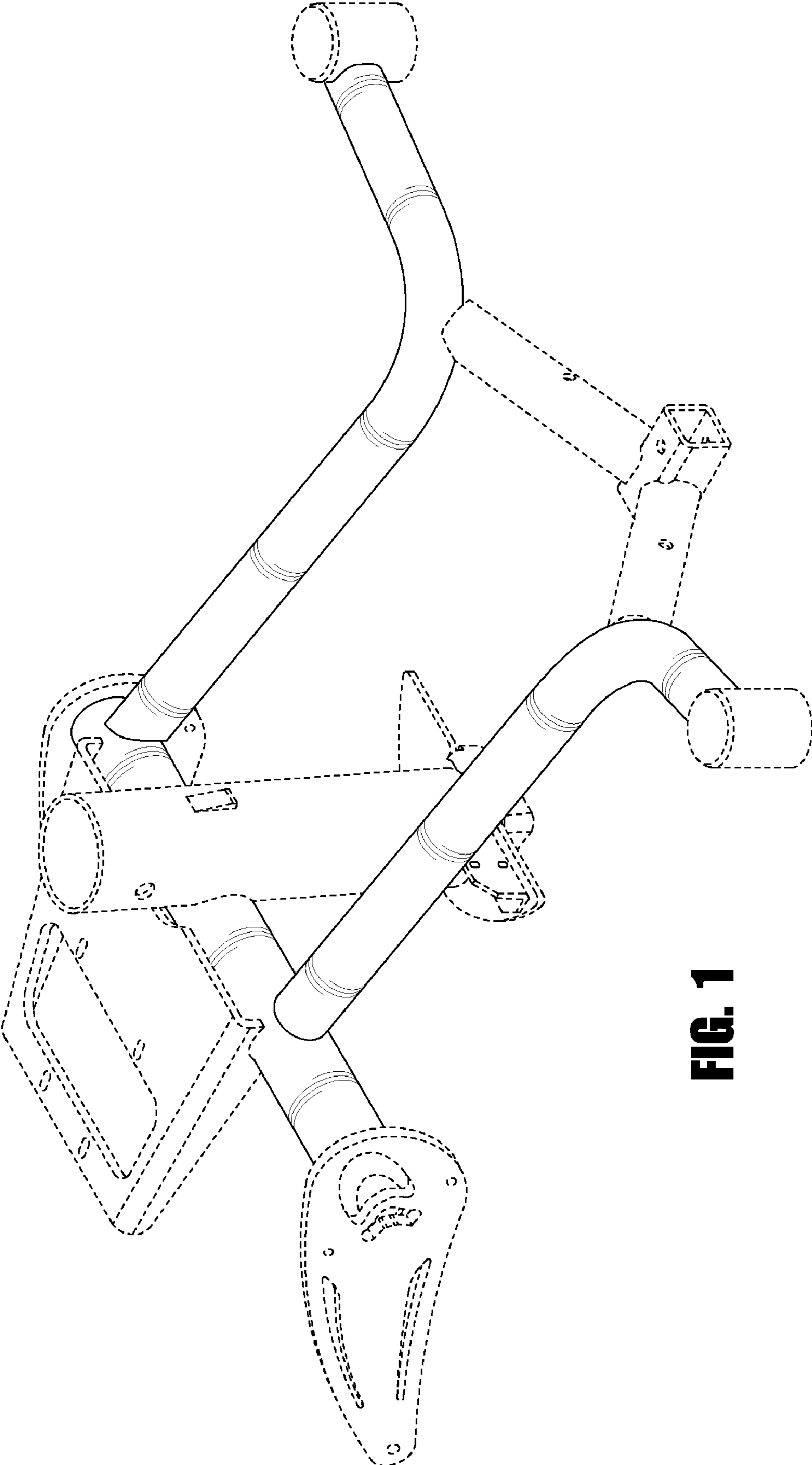


FIG. 1

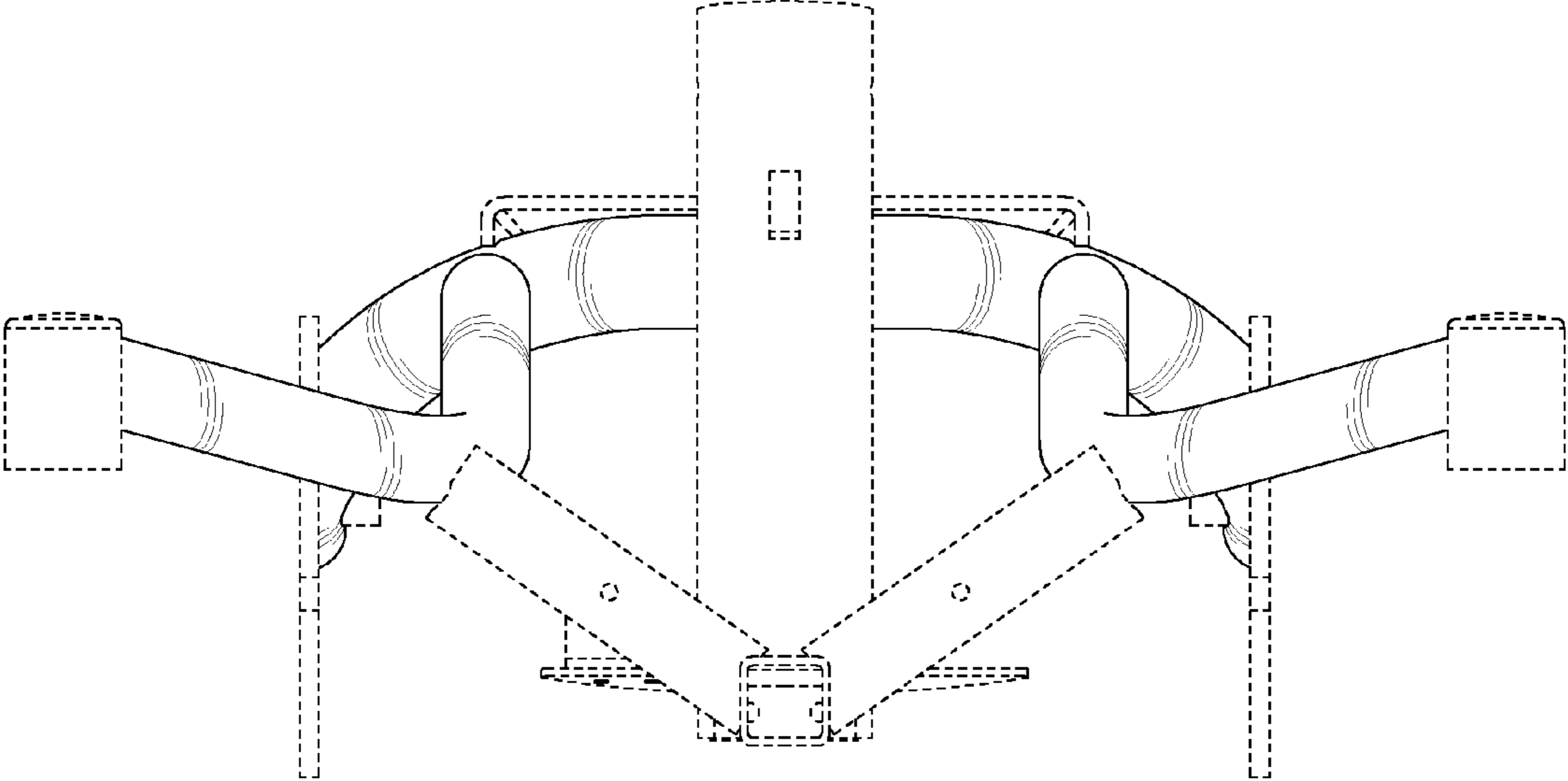


FIG. 2

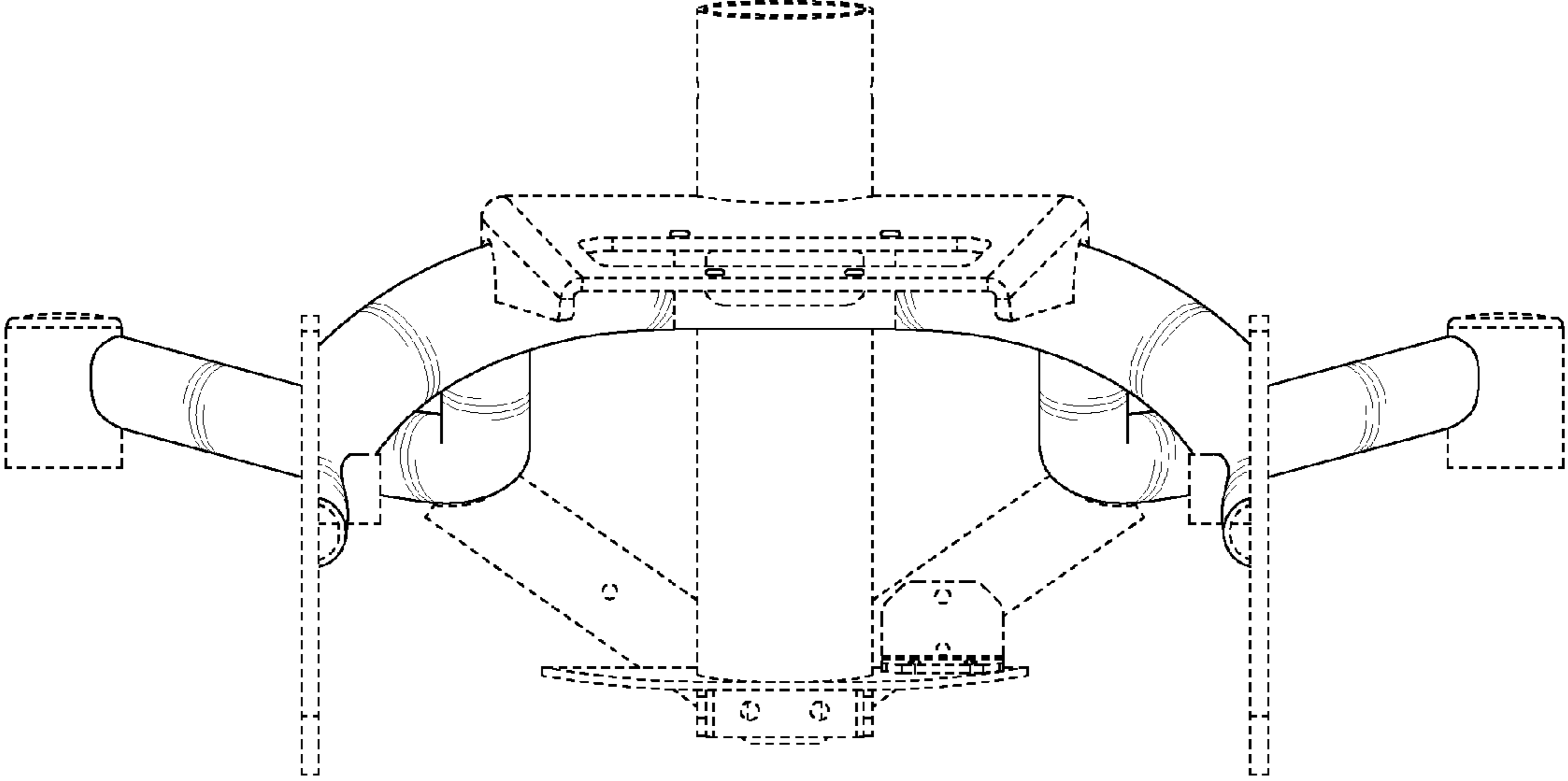


FIG. 3

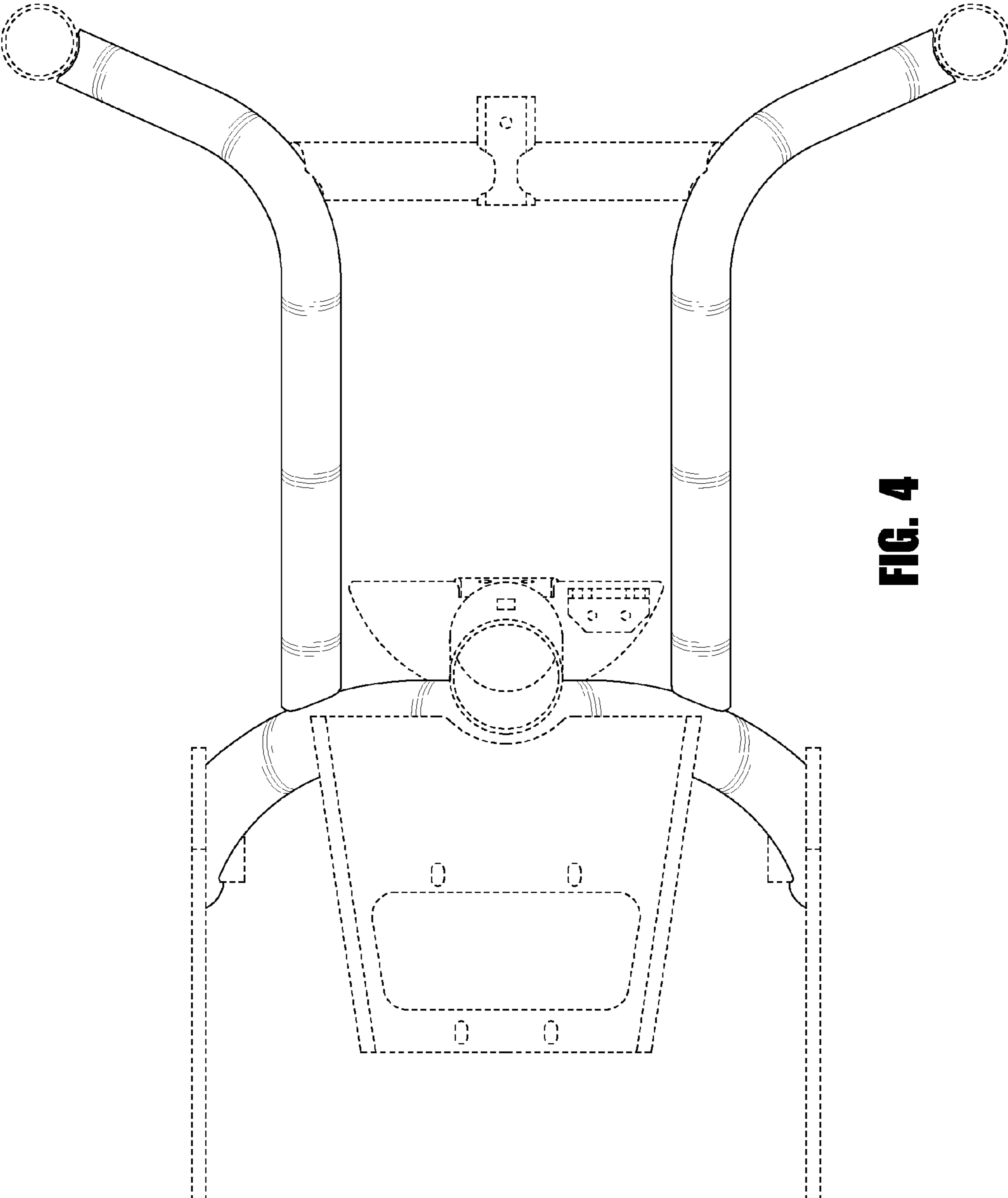


FIG. 4

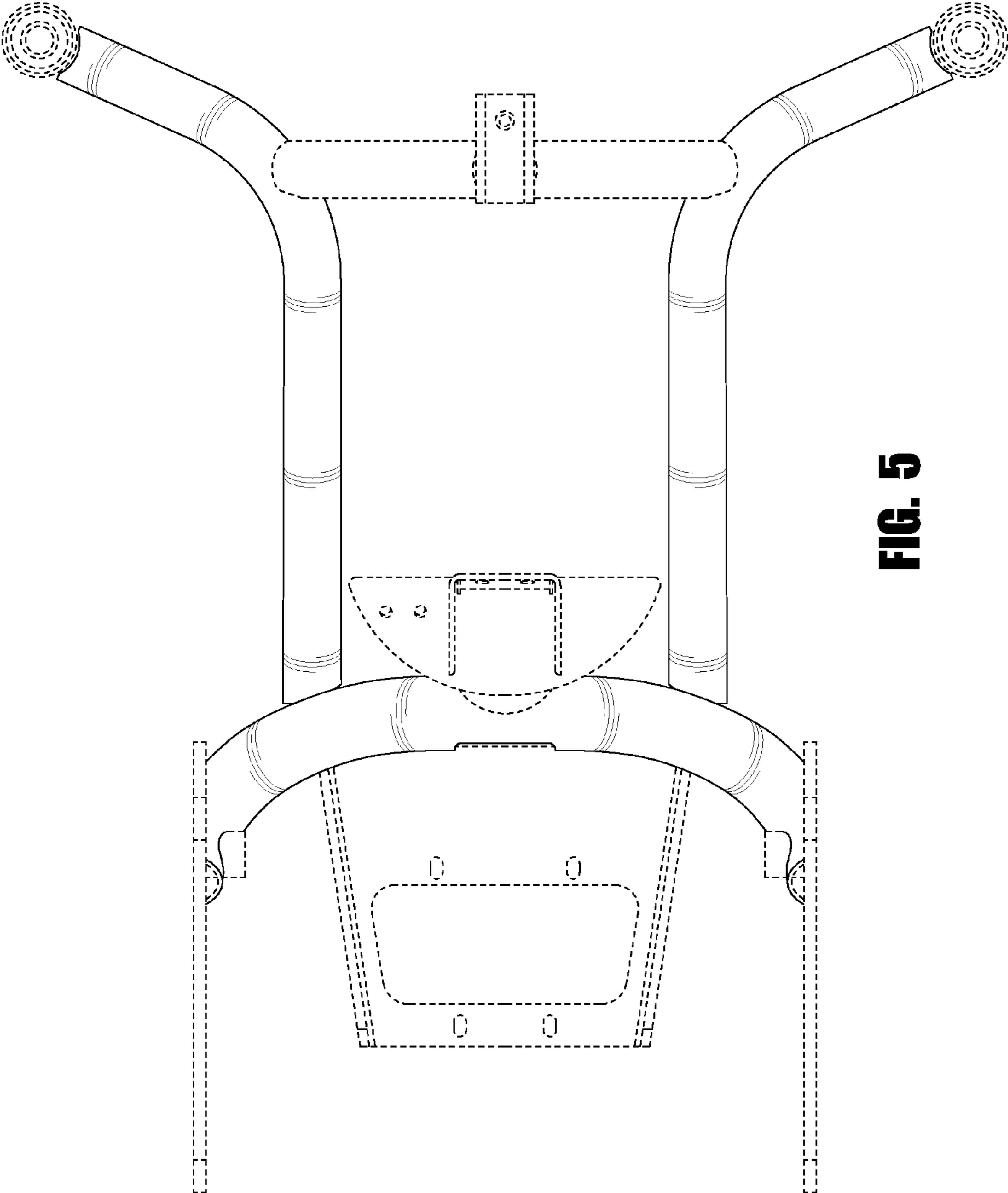


FIG. 5

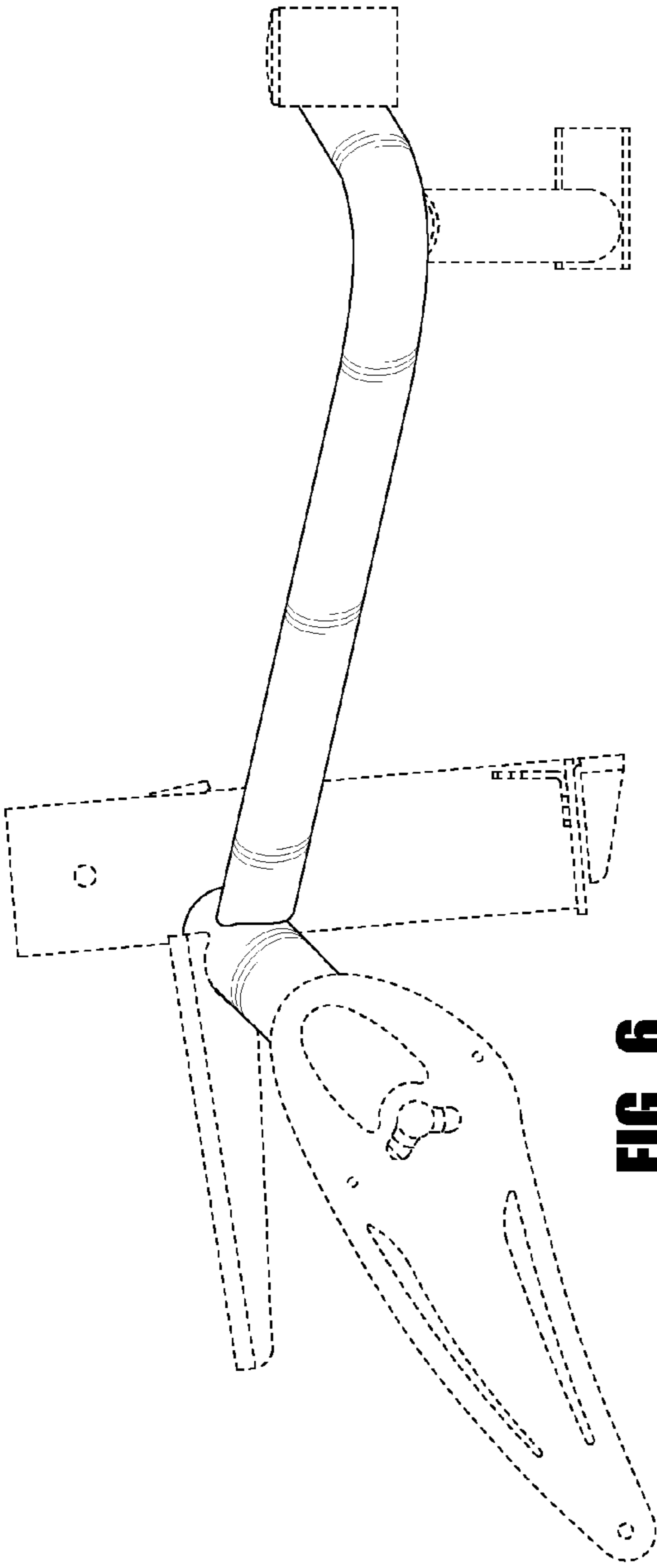


FIG. 6

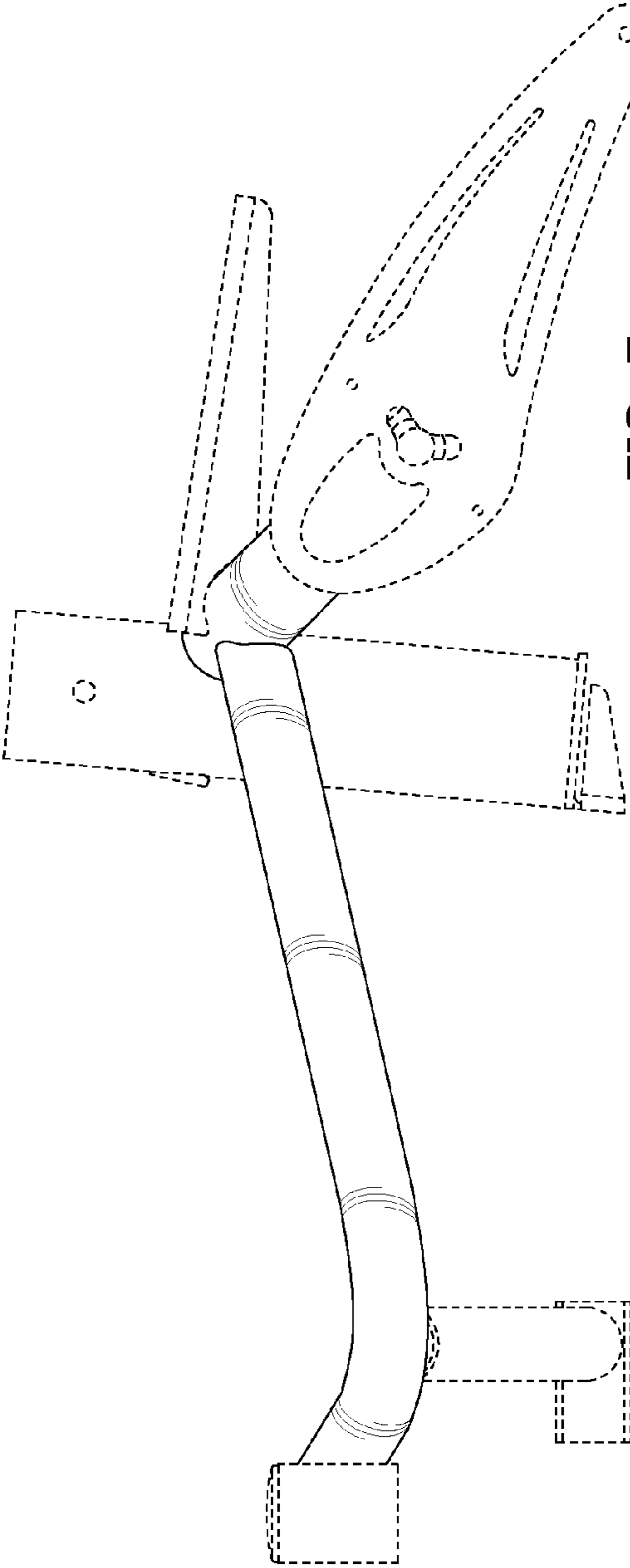


FIG. 7