



US00D654407S

(12) **United States Design Patent**  
**Zanderléhn et al.**

(10) **Patent No.:** **US D654,407 S**

(45) **Date of Patent:** **\*\* Feb. 21, 2012**

(54) **VEHICLE**

(76) Inventors: **Karri Zanderléhn**, Västerås (SE);  
**Mikael Löfstrand**, Västerås (SE)

(\*\*) Term: **14 Years**

(21) Appl. No.: **29/381,843**

(22) Filed: **Dec. 23, 2010**

(51) **LOC (9) Cl.** ..... **12-12**

(52) **U.S. Cl.** ..... **D12/131**

(58) **Field of Classification Search** ..... D12/128-133;  
297/DIG. 4; 296/65.03, 64.04; 224/409;  
280/62, 647-650, 29, 200, 47.38, 250.1,  
280/259, 642, 658

See application file for complete search history.

(56) **References Cited**

**U.S. PATENT DOCUMENTS**

- D336,452 S \* 6/1993 Holm-Rasmussen ..... D12/131
- D359,016 S \* 6/1995 Johansson ..... D12/133
- 5,427,398 A \* 6/1995 Weybrecht ..... 280/304.1
- D365,786 S \* 1/1996 Peterson ..... D12/131
- D365,787 S \* 1/1996 Peterson et al. .... D12/131
- D380,991 S \* 7/1997 Deming ..... D12/131

- D401,191 S \* 11/1998 Gagnon ..... D12/131
- D602,405 S \* 10/2009 Skafdrup et al. .... D12/131
- 7,896,376 B2 \* 3/2011 Dauw et al. .... 280/250.1

\* cited by examiner

*Primary Examiner* — Ian Simmons

*Assistant Examiner* — Charles Hanson

(74) *Attorney, Agent, or Firm* — Larson & Larson, P.A.;  
Frank Liebenow; Justin Miller

(57) **CLAIM**

I claim the ornamental design for a vehicle, as shown and described.

**DESCRIPTION**

FIG. 1 is a front elevation view of the vehicle showing my new design;

FIG. 2 is a rear elevation view thereof;

FIG. 3 is a right side view thereof;

FIG. 4 is a left side view thereof;

FIG. 5 is a top plan view thereof;

FIG. 6 is a bottom plan view thereof; and

FIG. 7 is a perspective view thereof; and

FIG. 8 is a perspective view thereof; and

FIG. 9 is a perspective view thereof; and,

FIG. 10 is a perspective view thereof.

**1 Claim, 10 Drawing Sheets**

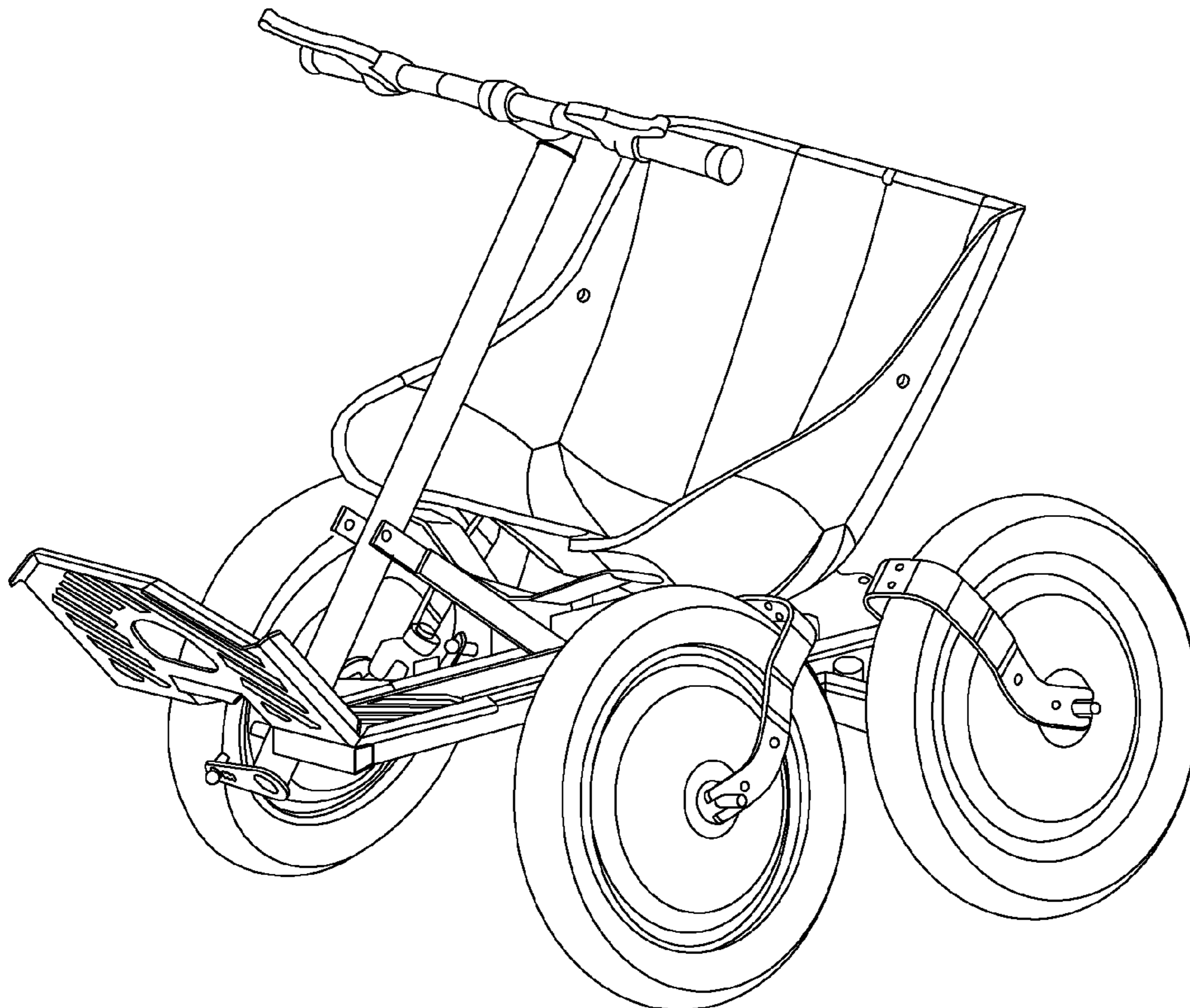


FIG. 1

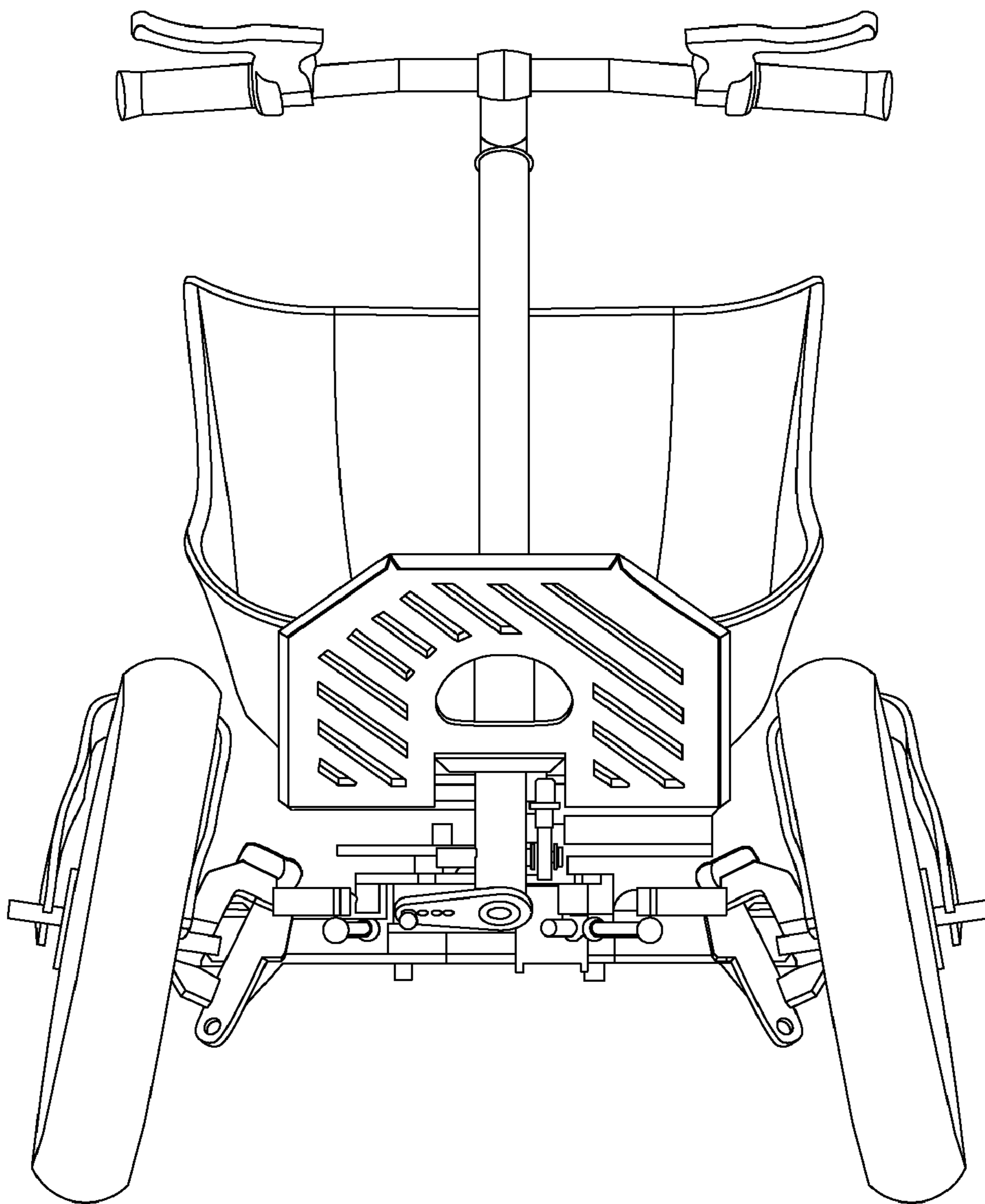


FIG. 2

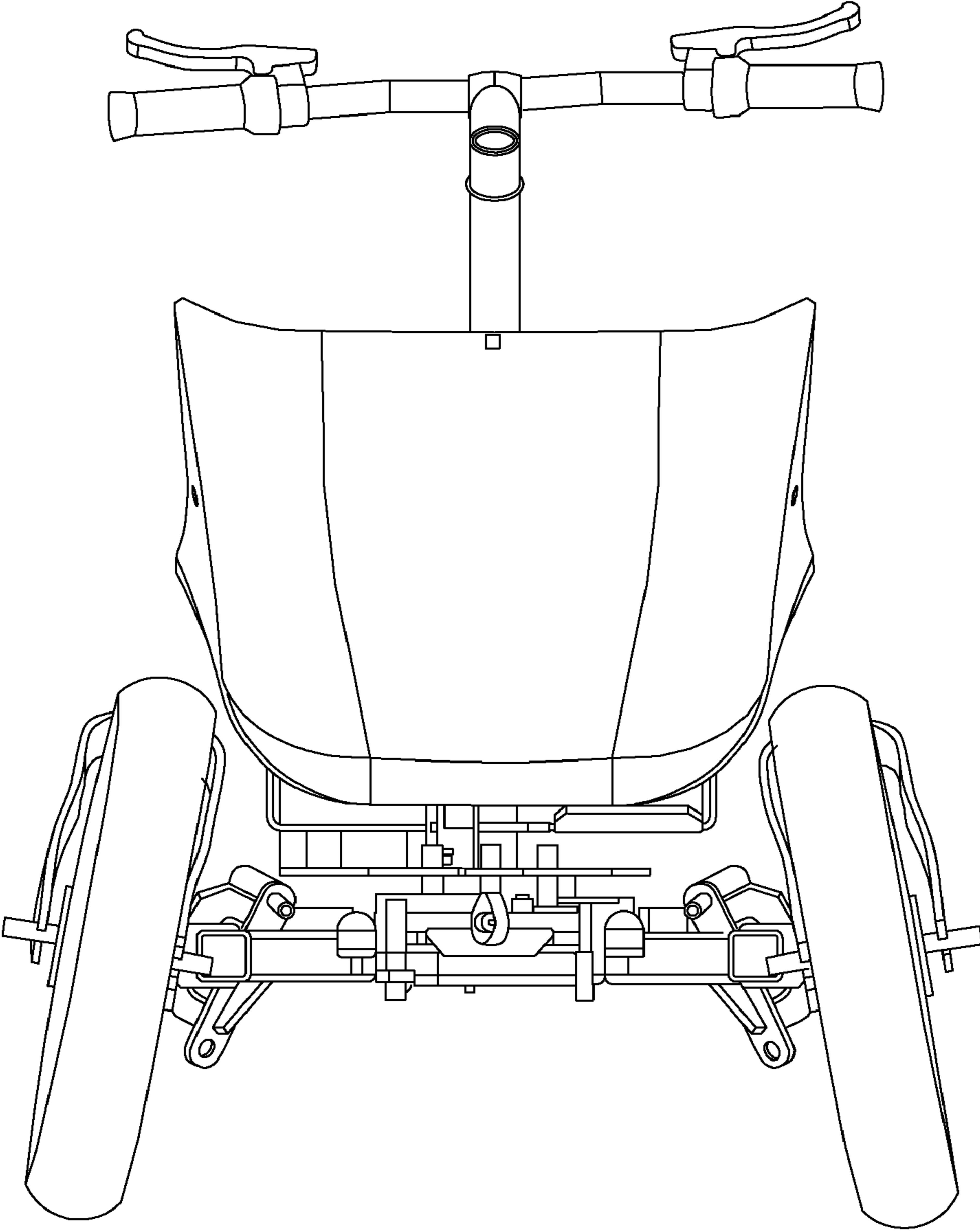
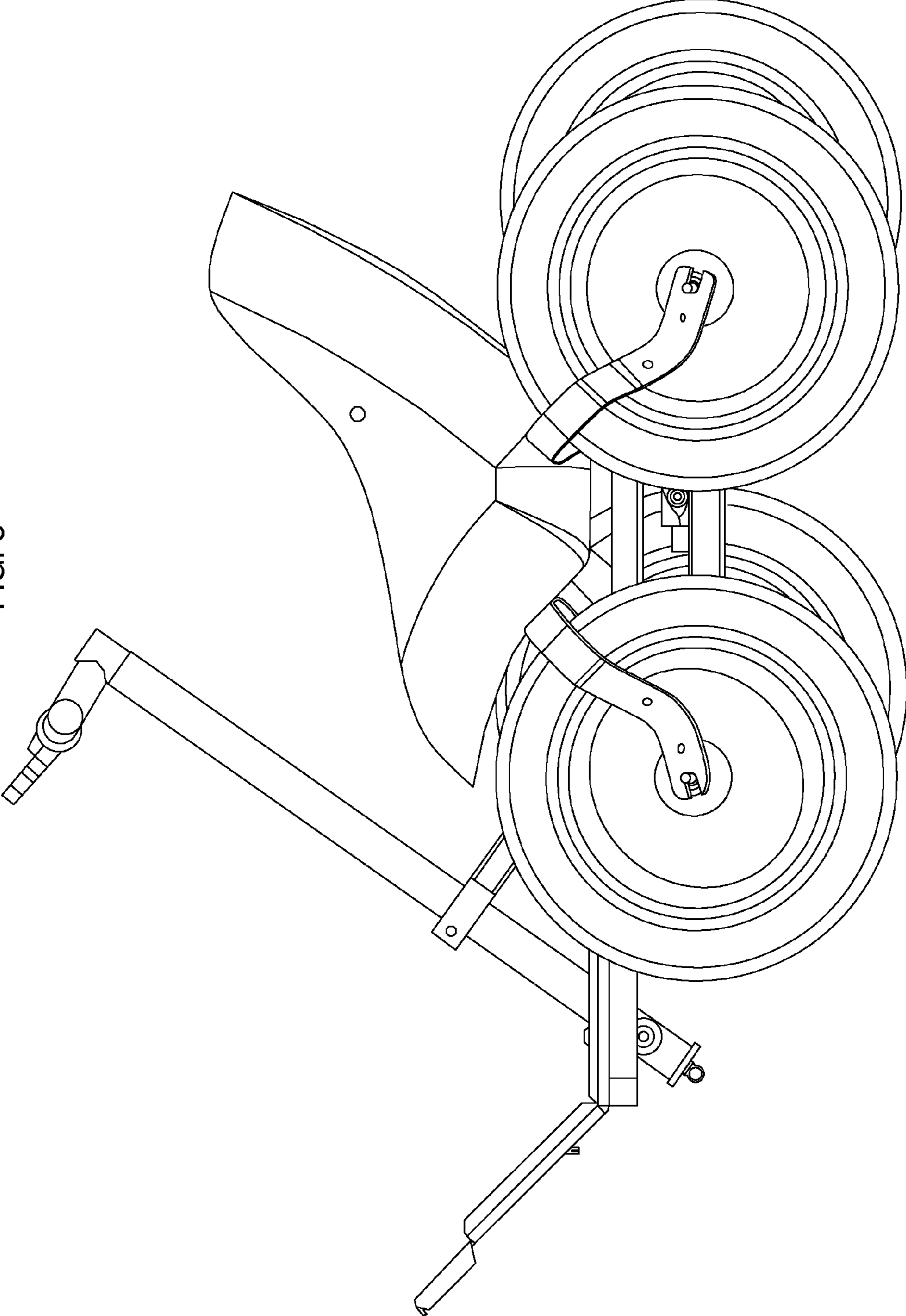


FIG. 3



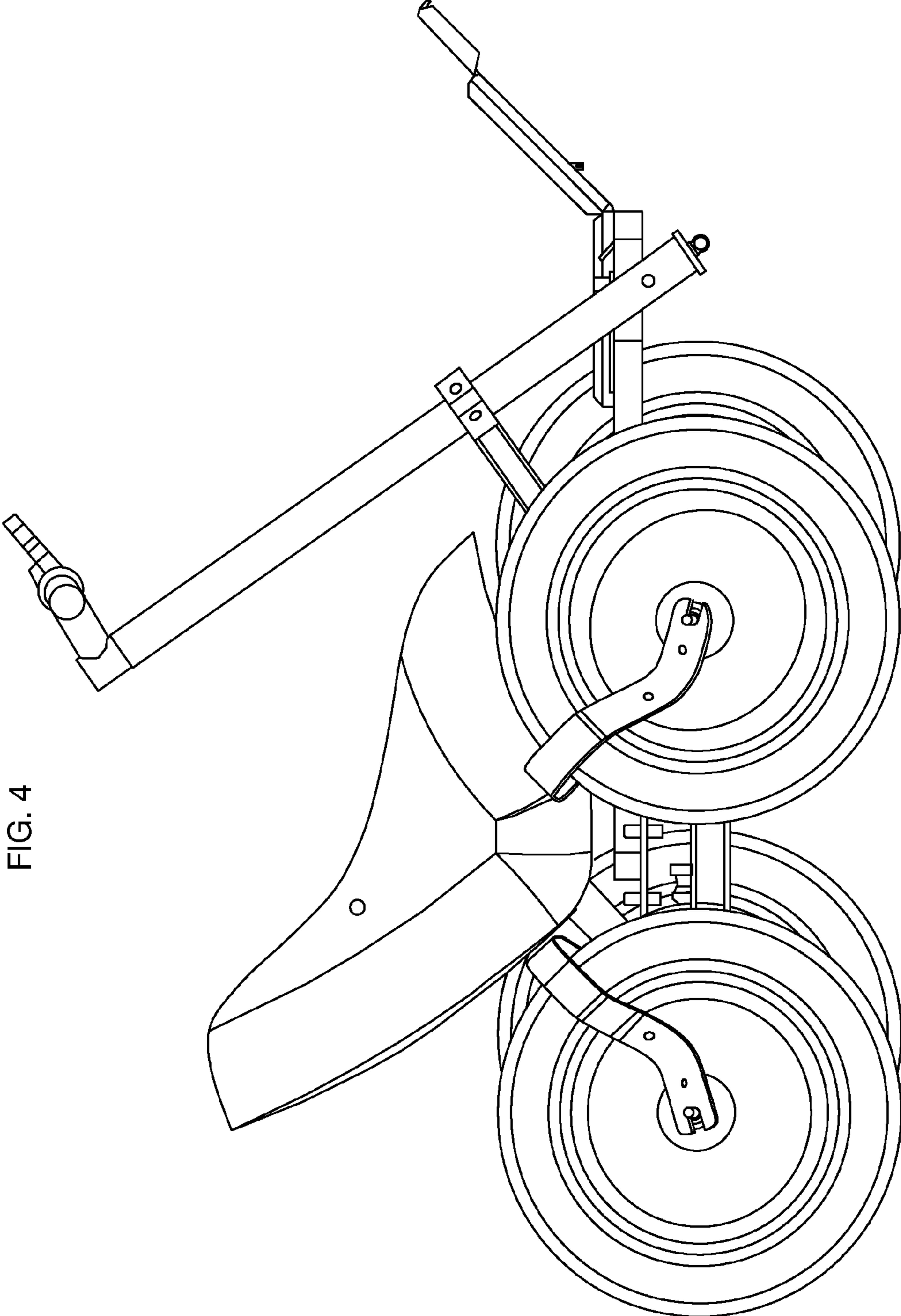


FIG. 4

FIG. 5

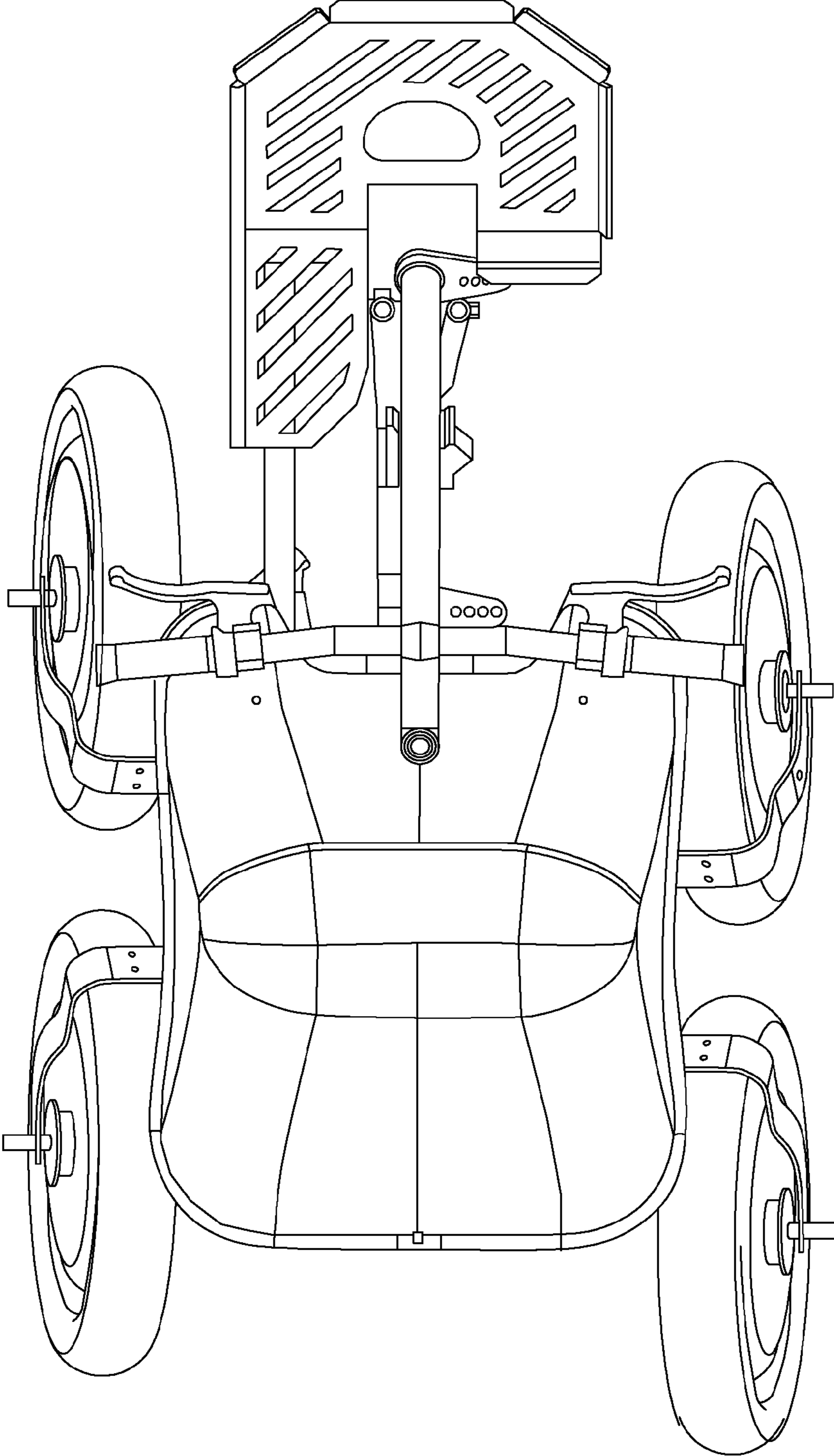


FIG. 6

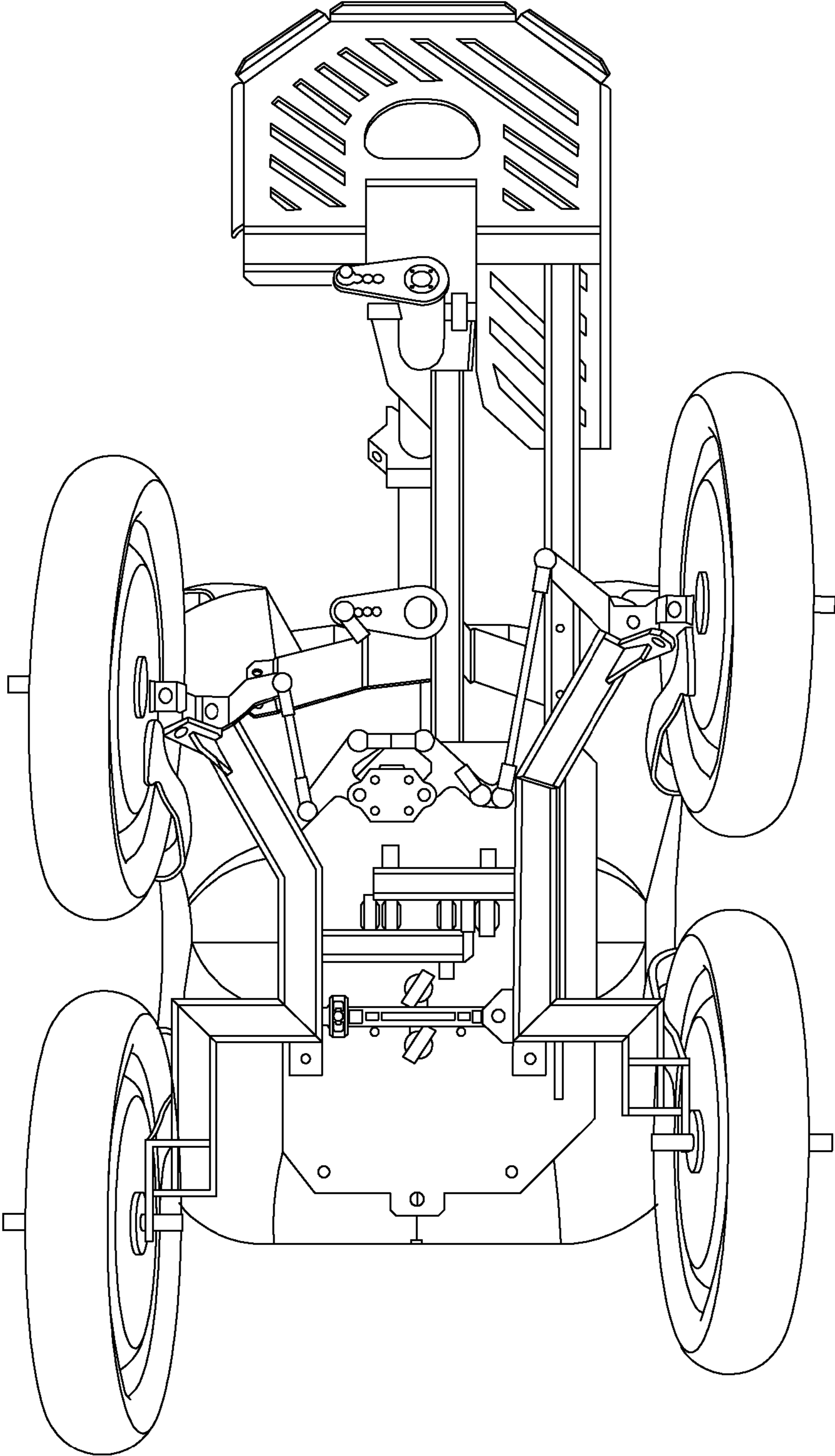


FIG. 7

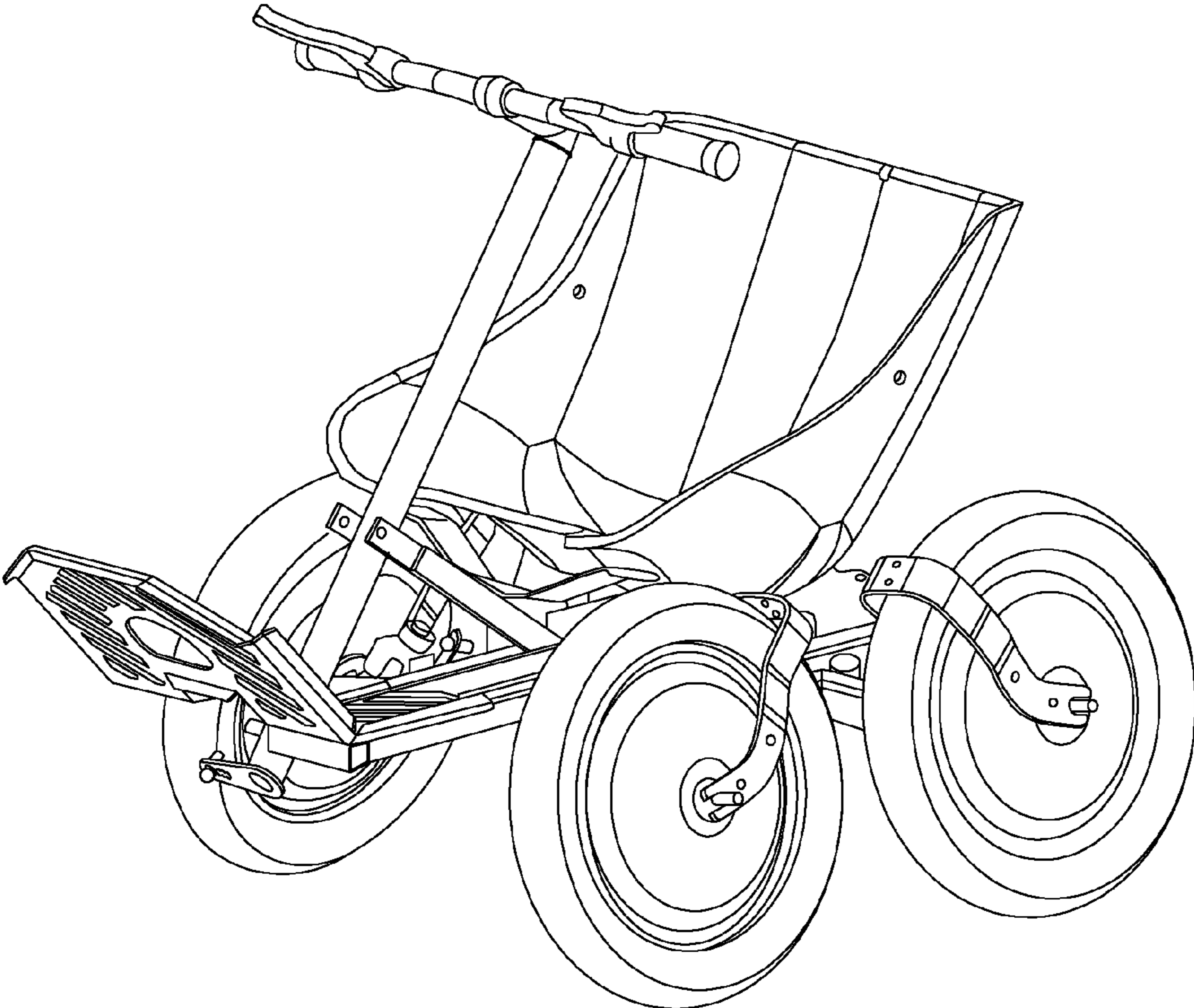




FIG. 8

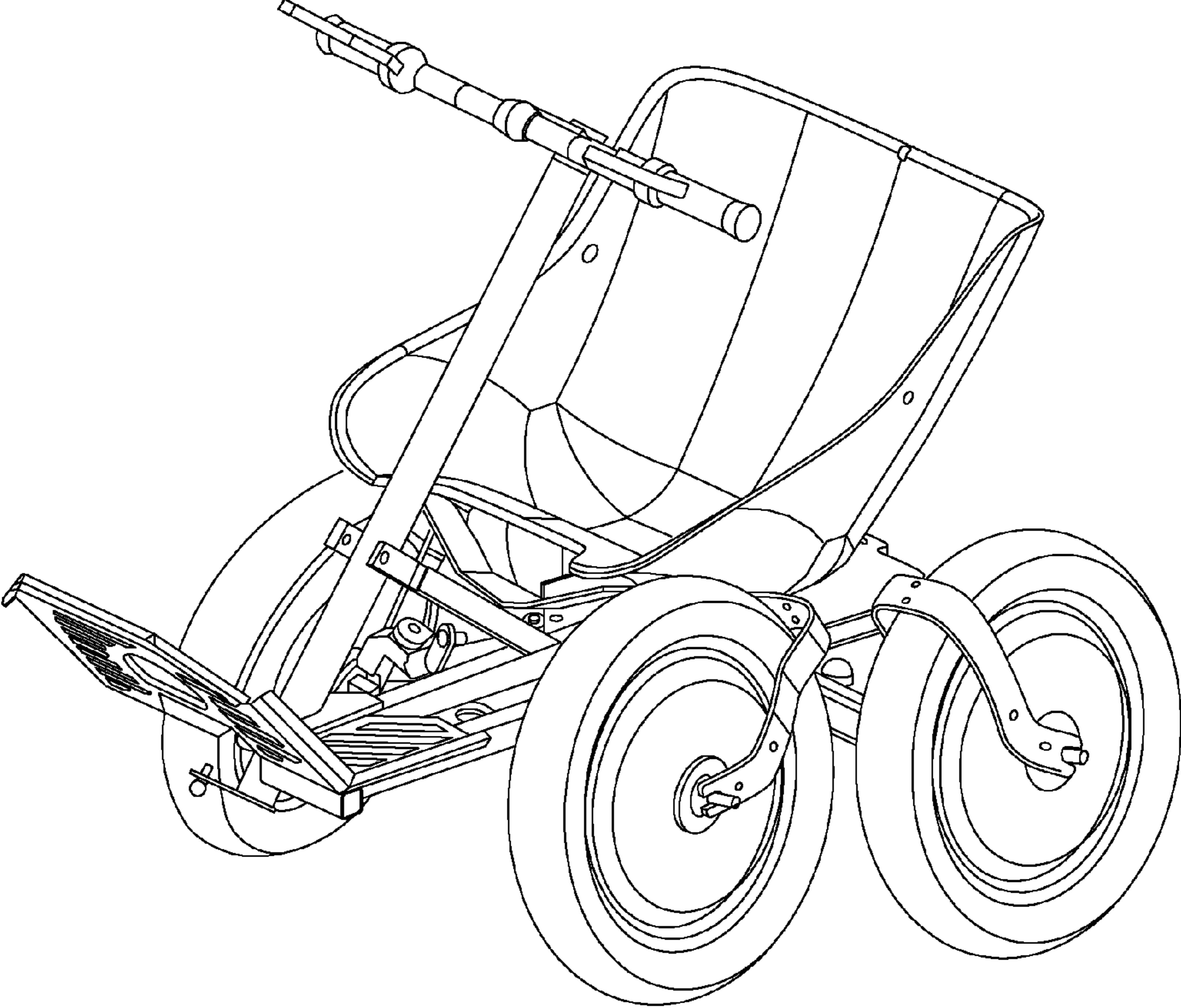


FIG. 9

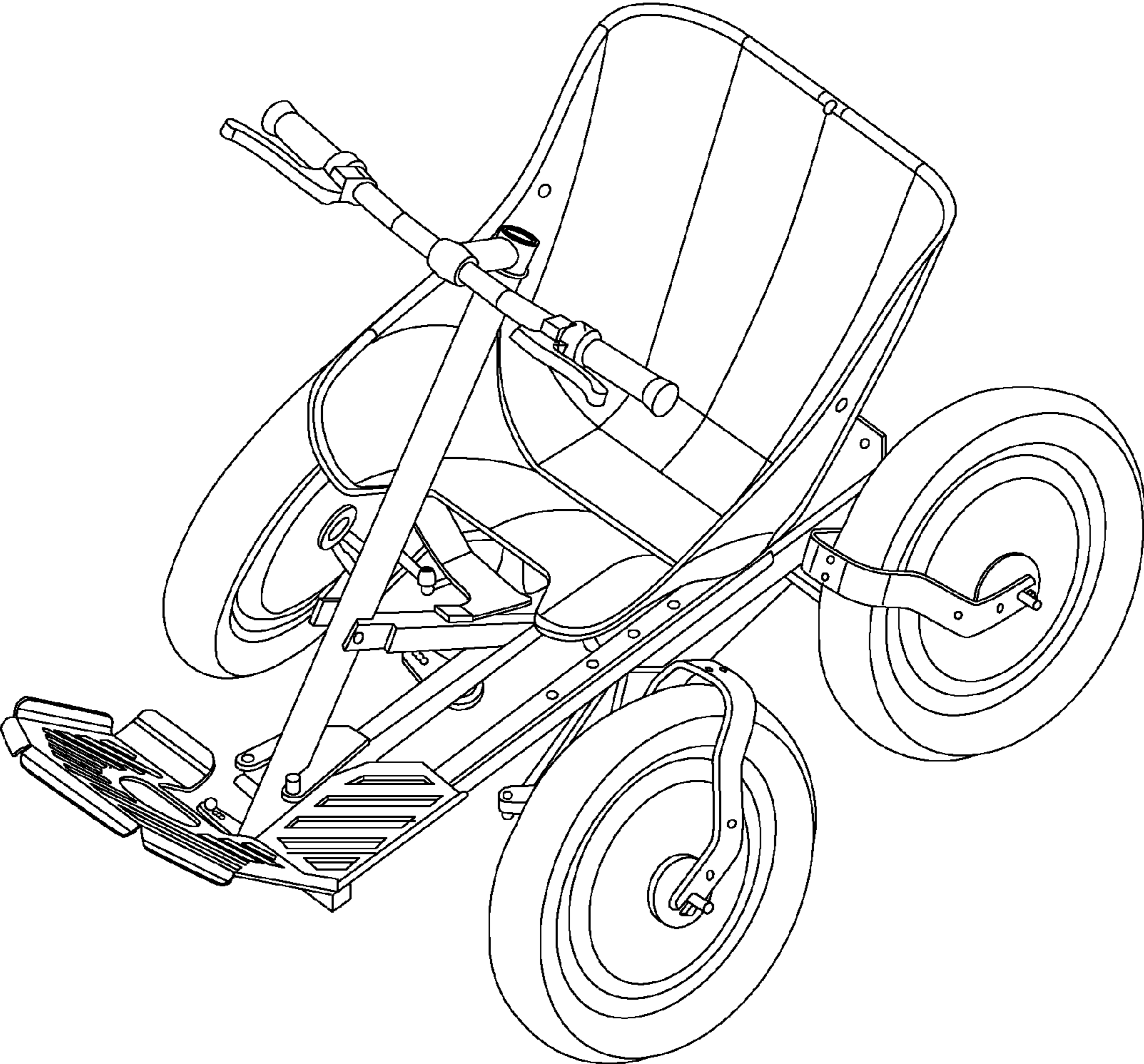


FIG. 10

