



US00D654405S

(12) **United States Design Patent**
Conrad et al.

(10) **Patent No.:** **US D654,405 S**

(45) **Date of Patent:** **** Feb. 21, 2012**

(54) **STROLLER**

(75) Inventors: **Derek Conrad**, Riverside, CA (US);
Jung Tsai Chen, Tainan (TW)

(73) Assignee: **Baby Trend Inc.**, Ontario (CA)

(**) Term: **14 Years**

(21) Appl. No.: **29/376,580**

(22) Filed: **Oct. 8, 2010**

(51) **LOC (9) Cl.** **12-12**

(52) **U.S. Cl.** **D12/129**

(58) **Field of Classification Search** D12/128-133;
297/DIG. 4; 296/65.03, 64.04; 224/409;
280/62, 647-650, 29, 200, 47.38, 250.1,
280/259, 642, 658

See application file for complete search history.

(56) **References Cited**

U.S. PATENT DOCUMENTS

4,697,823	A *	10/1987	Kassai	280/644
4,846,494	A *	7/1989	Kassai	280/642
D345,128	S *	3/1994	Kassai	D12/129
D352,923	S *	11/1994	Kassai	D12/129
5,669,623	A *	9/1997	Onishi	280/642

5,752,738	A *	5/1998	Onishi et al.	297/61
D452,192	S *	12/2001	Hartenstine et al.	D12/129
D510,549	S *	10/2005	Kassai et al.	D12/129
6,964,429	B2 *	11/2005	Suga et al.	280/642
7,445,230	B2 *	11/2008	Kassai et al.	280/644
D593,459	S *	6/2009	Liao	D12/129

* cited by examiner

Primary Examiner — Ian Simmons

Assistant Examiner — Charles Hanson

(74) *Attorney, Agent, or Firm* — Chen Yoshimura LLP

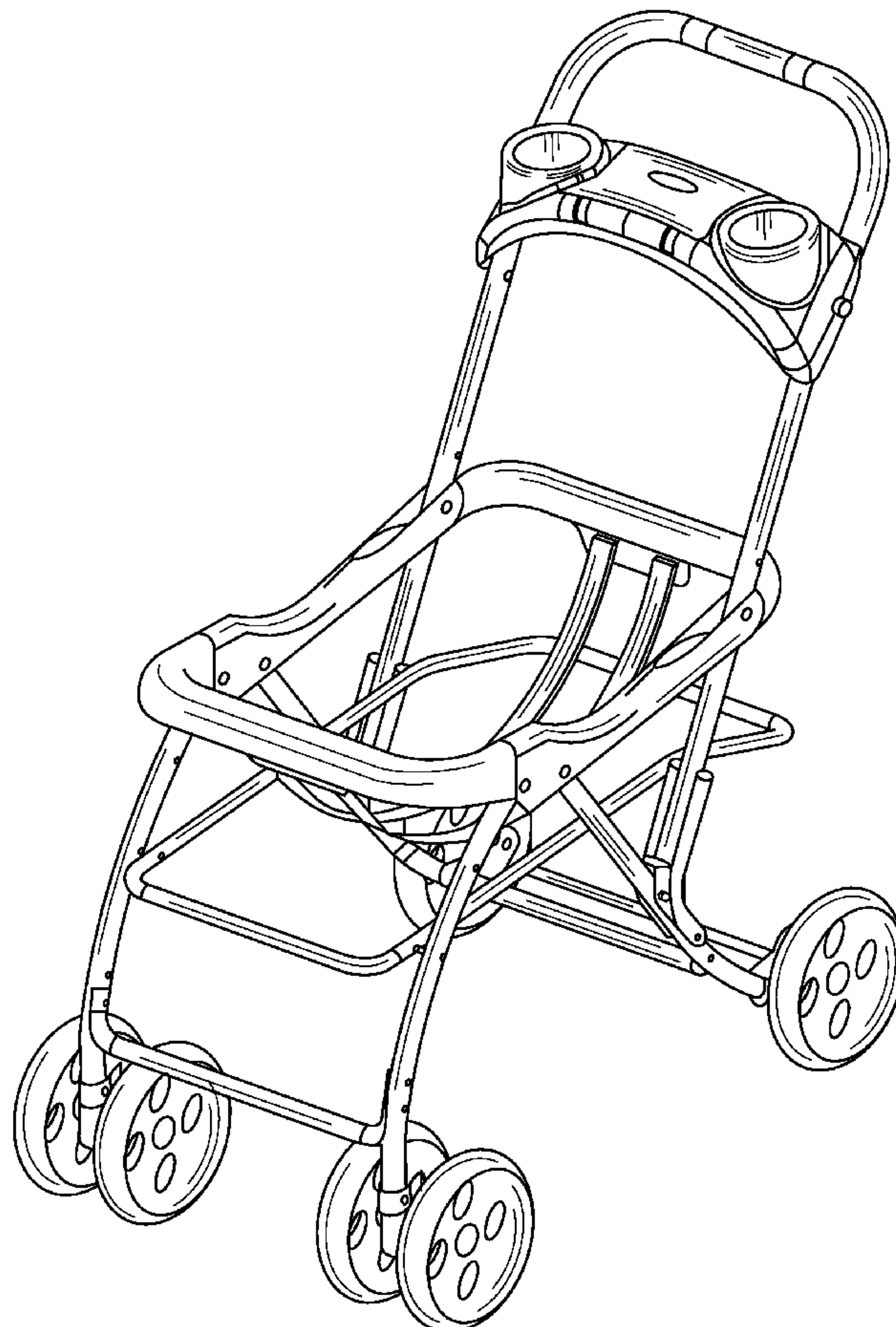
(57) **CLAIM**

The ornamental design for a stroller, as shown.

DESCRIPTION

FIG. 1 is a front, top and right side perspective view of a stroller showing our new design;
FIG. 2 is a front elevational view thereof;
FIG. 3 is a rear elevational view thereof;
FIG. 4 is a right side elevational view thereof;
FIG. 5 is a left side elevational view thereof;
FIG. 6 is a top plan view thereof; and,
FIG. 7 is a bottom plan view thereof.

1 Claim, 7 Drawing Sheets



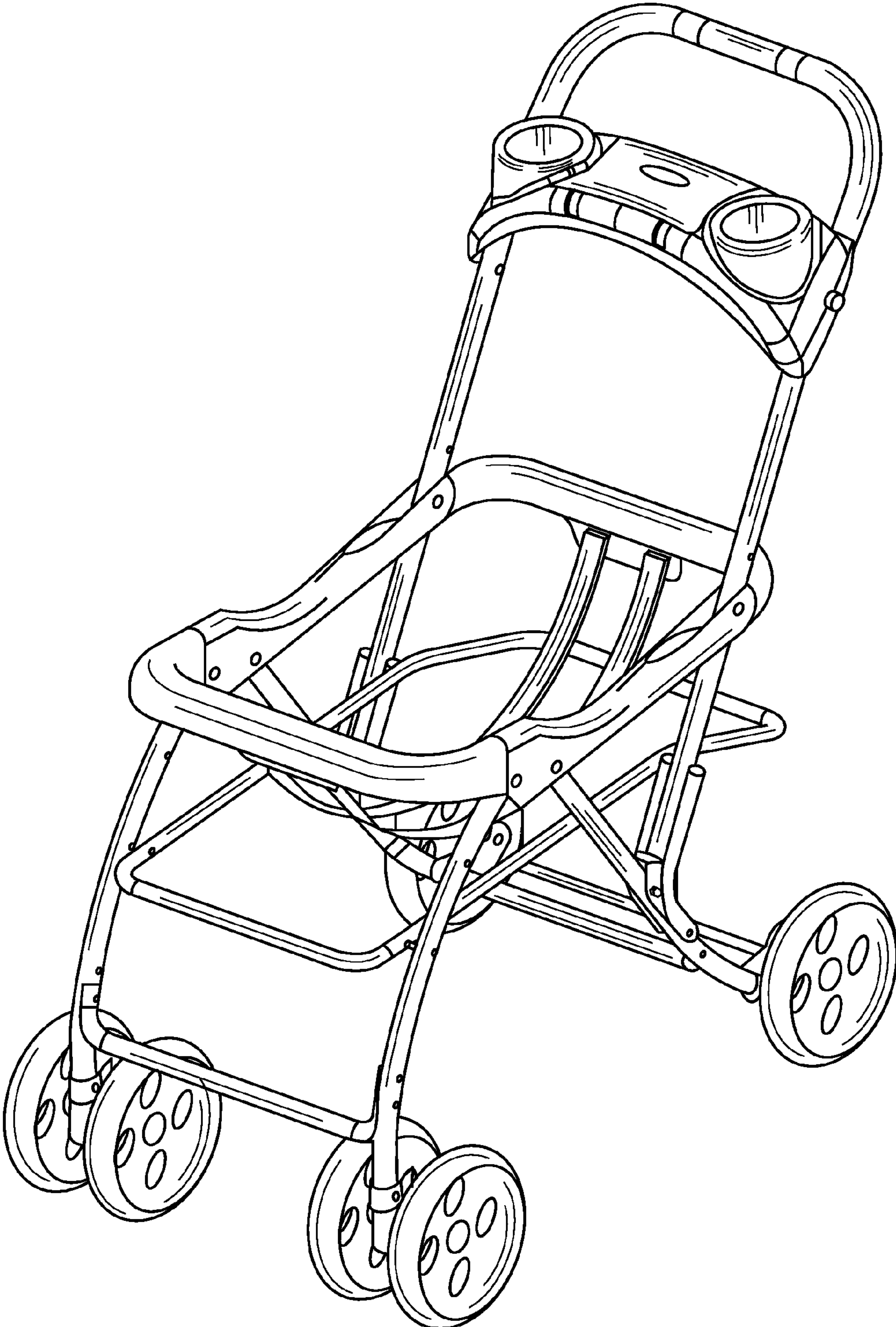


FIG. 1

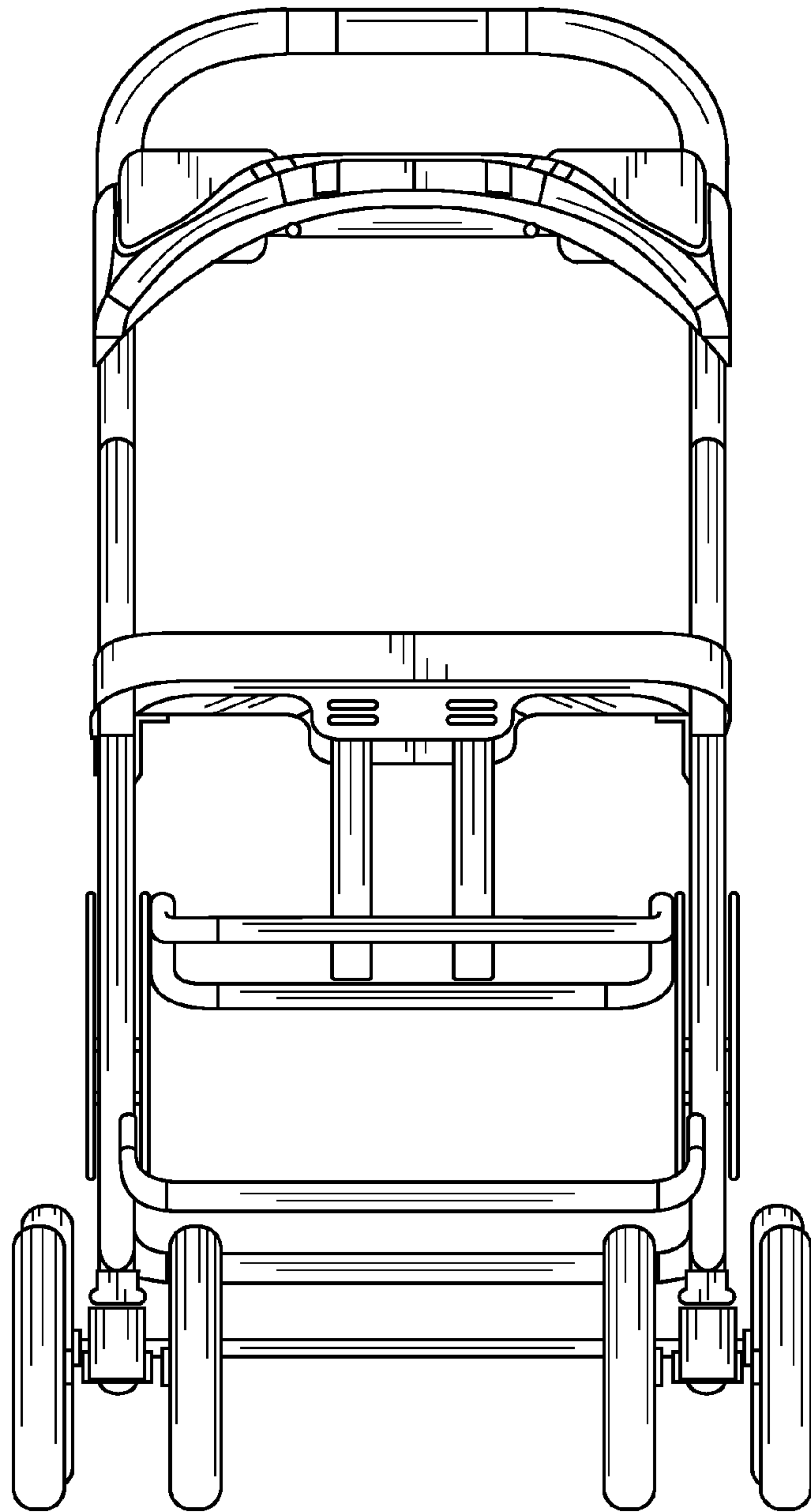


FIG. 2

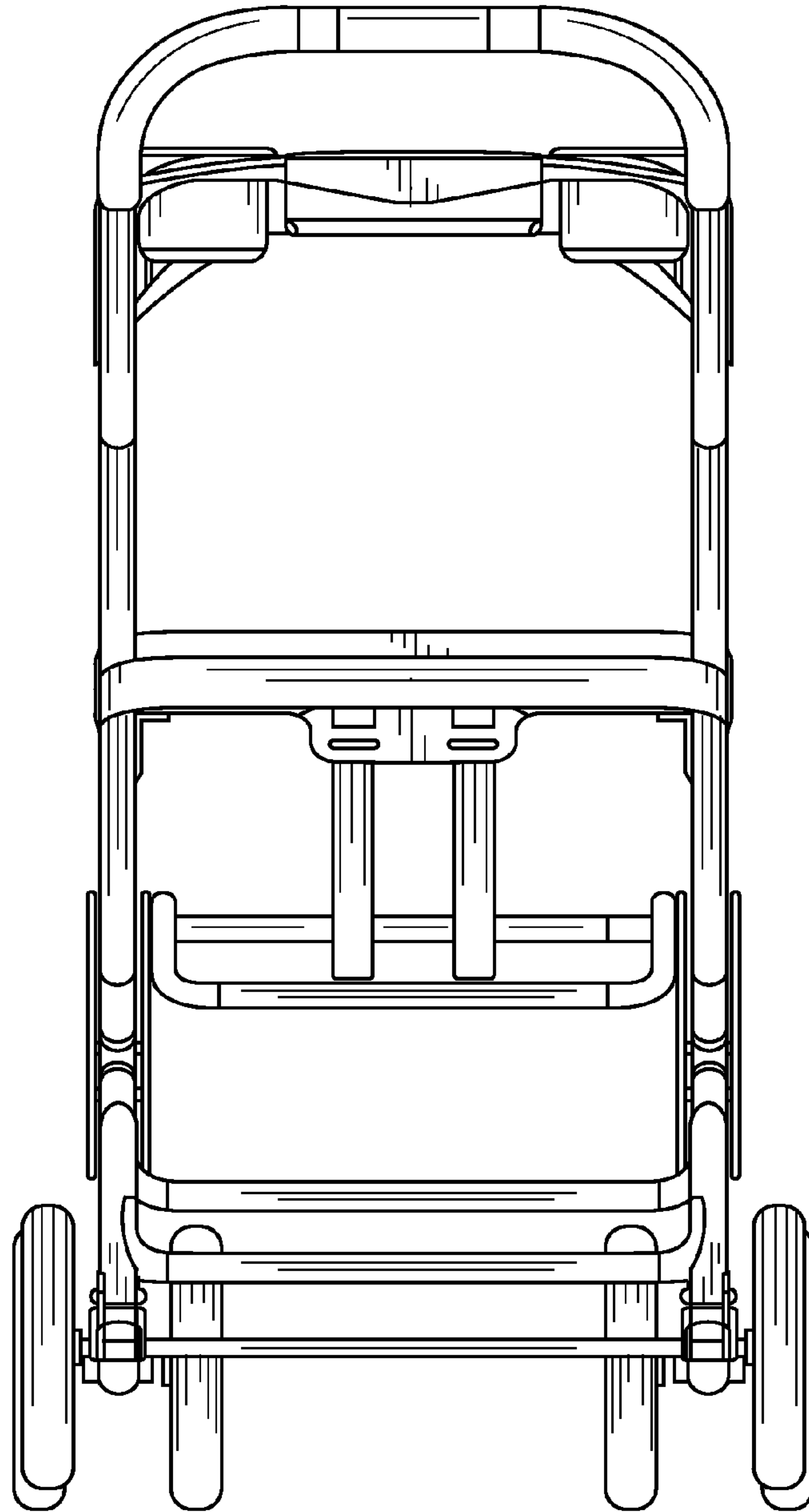


FIG. 3

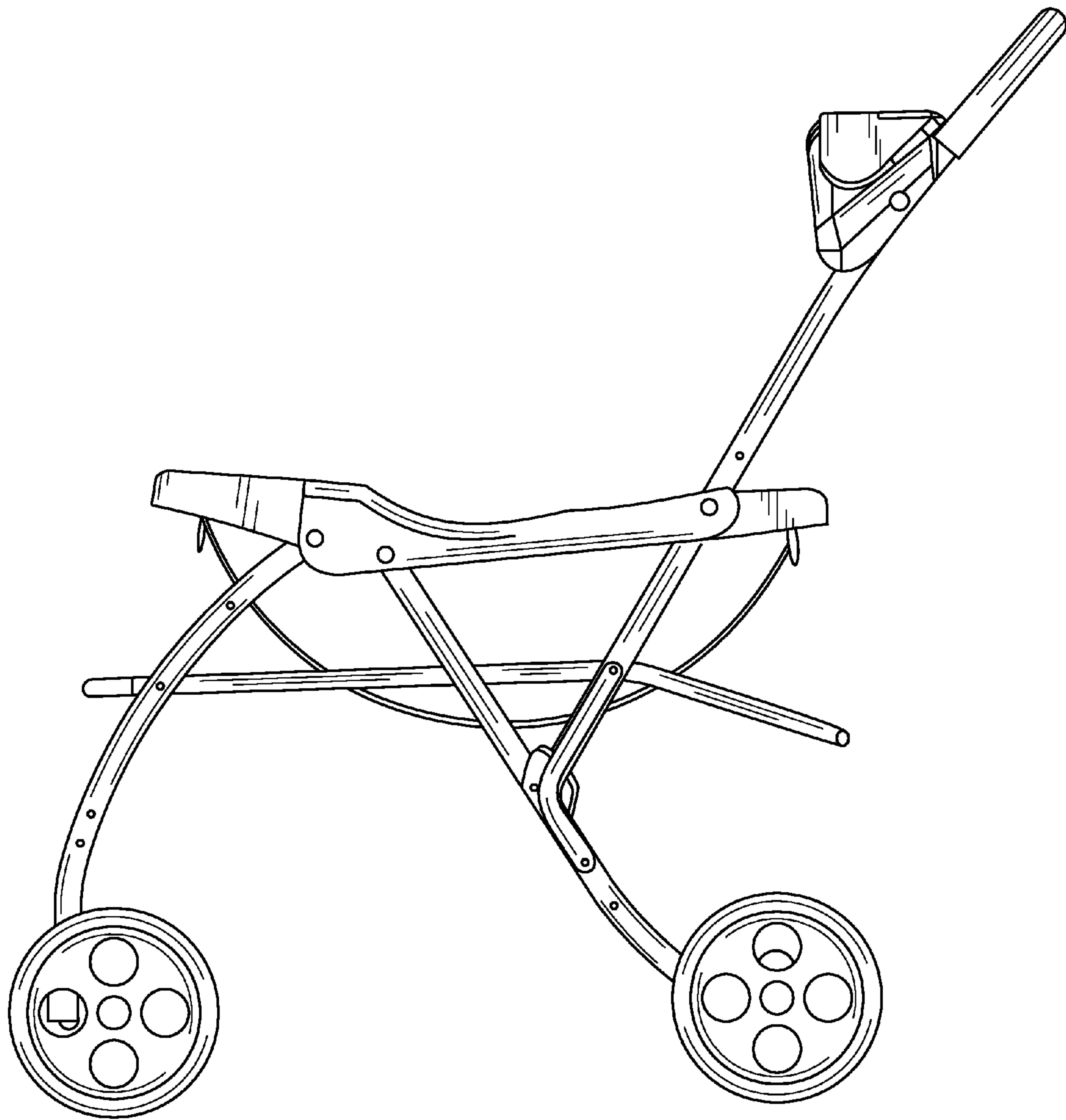


FIG. 4

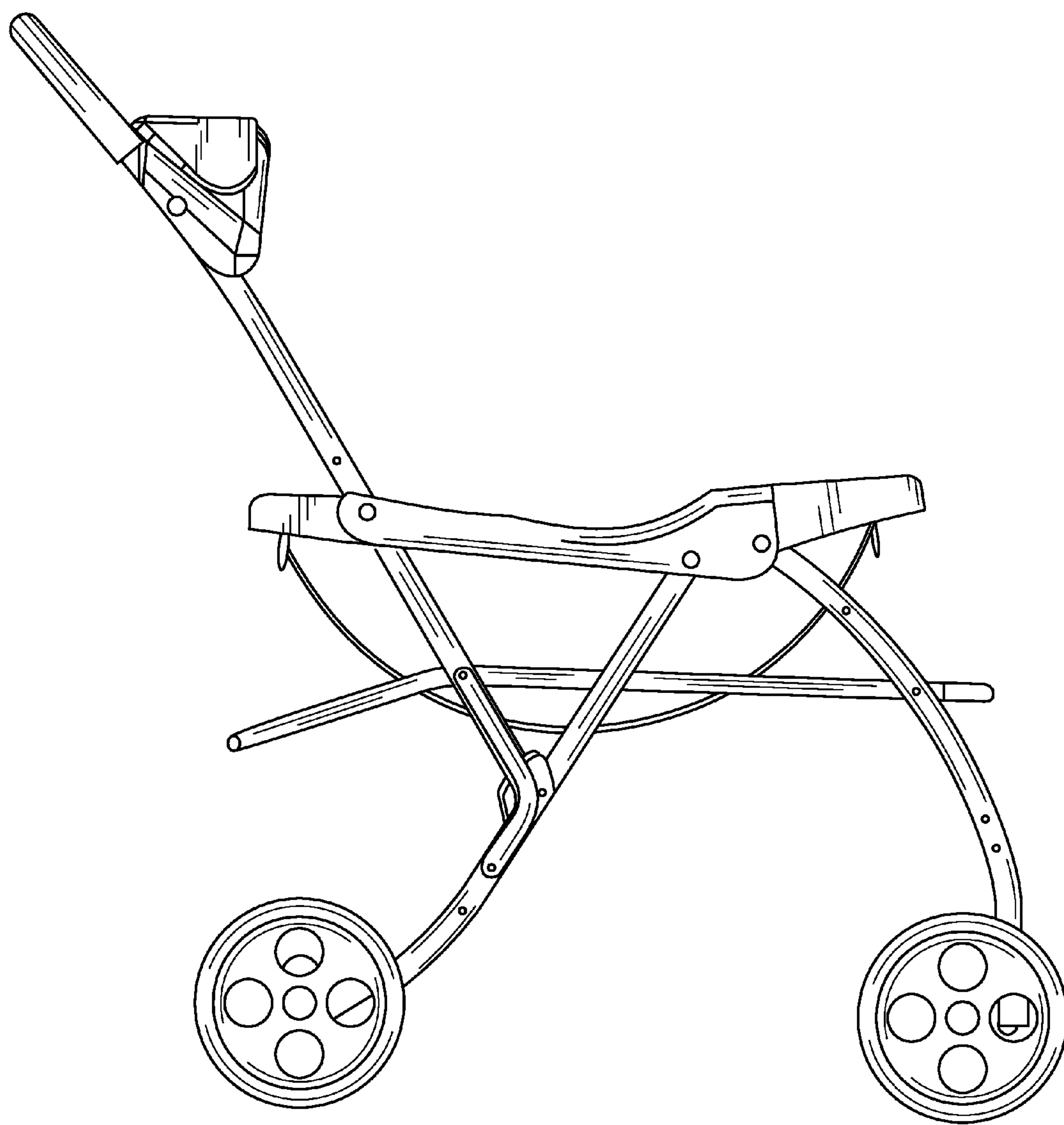


FIG. 5

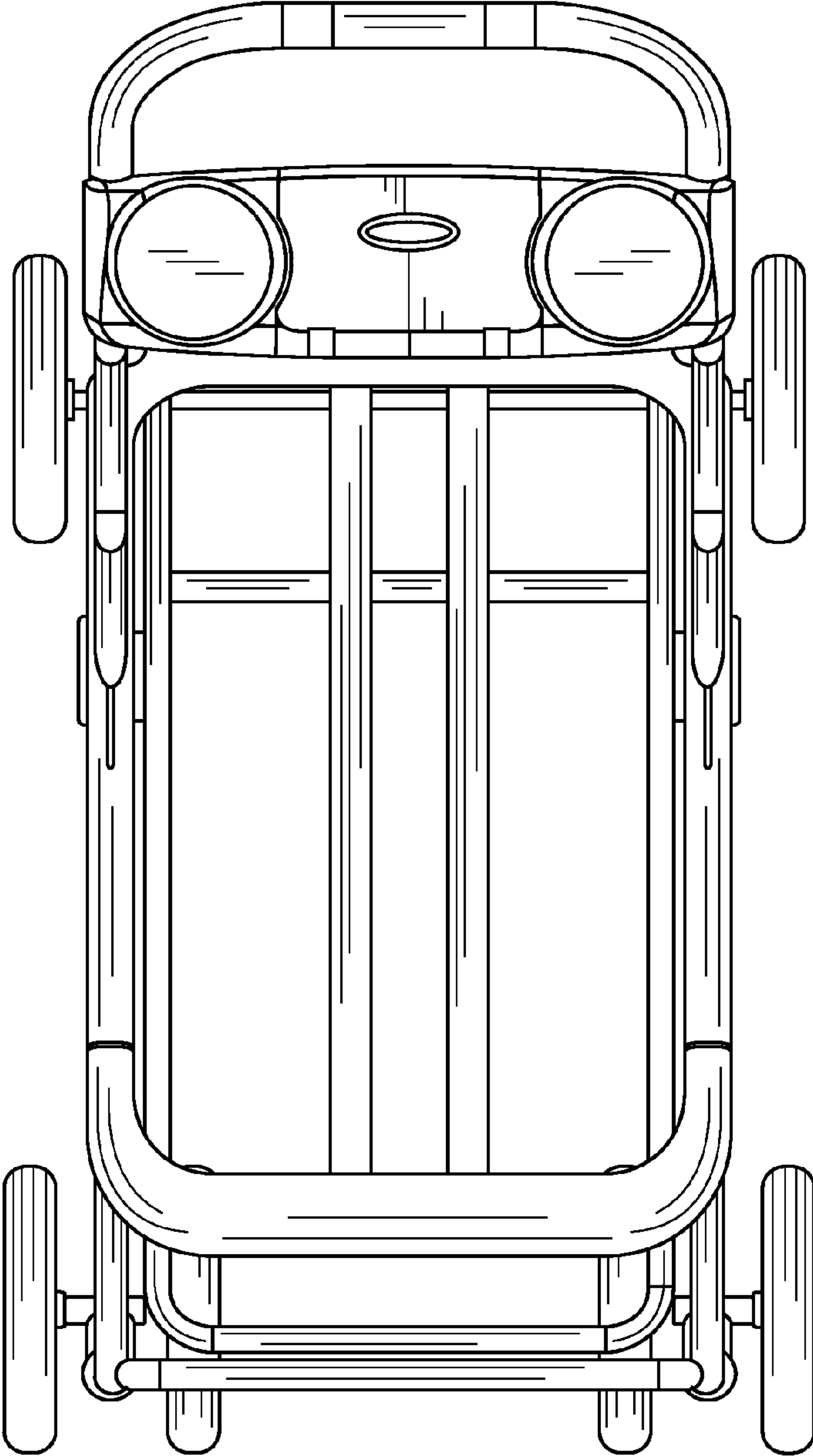


FIG. 6

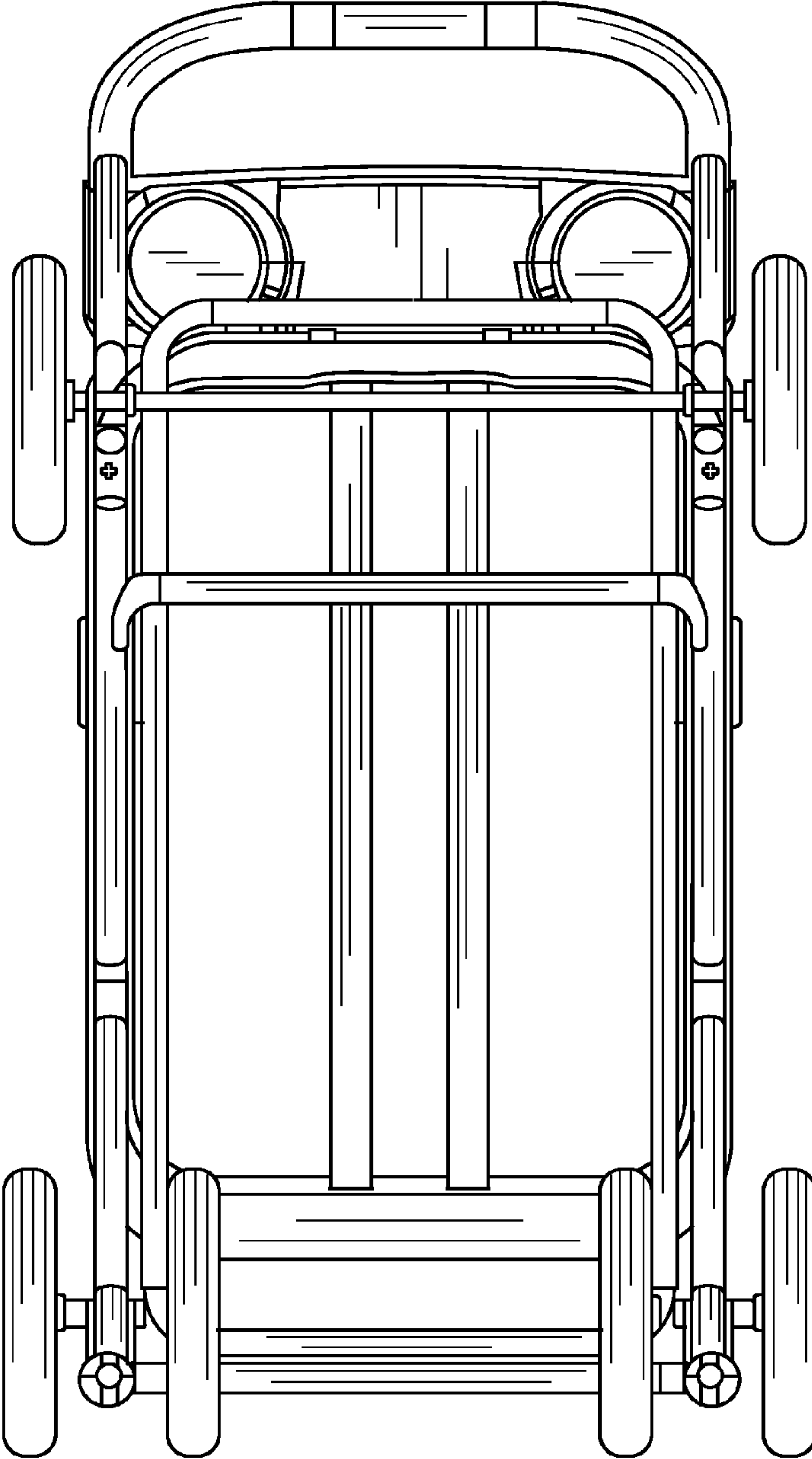


FIG. 7