



US00D654404S

(12) **United States Design Patent**
Komita

(10) **Patent No.:** **US D654,404 S**

(45) **Date of Patent:** **** Feb. 21, 2012**

(54) **RACK FOR WHEELED VEHICLES AND THE LIKE**

(75) Inventor: **Robin Komita**, Philadelphia, PA (US)

(73) Assignee: **Komita Design LLC**, Philadelphia, PA (US)

(**) Term: **14 Years**

(21) Appl. No.: **29/387,796**

(22) Filed: **Mar. 18, 2011**

(51) **LOC (9) Cl.** **12-11**

(52) **U.S. Cl.** **D12/115**

(58) **Field of Classification Search** D12/115,
D12/120; 211/5, 17-22, 182; D6/449, 462;
248/176.1, 175, 153, 158, 188.1, 188.8, 127,
248/188.2; D26/51; 362/551, 555, 559,
362/560, 576, 145, 153.1, 253; 280/293,
280/298

See application file for complete search history.

(56) **References Cited**

U.S. PATENT DOCUMENTS

3,603,547	A *	9/1971	Hills	248/188.2
D298,524	S *	11/1988	De Luca	D12/115
7,059,740	B2 *	6/2006	Opolka	362/119
D554,025	S *	10/2007	Van Valkenburgh	D12/115
2003/0128551	A1 *	7/2003	Liu	362/551
2006/0231512	A1 *	10/2006	Mielke	211/17

OTHER PUBLICATIONS

Bike Rack Design Competition, Design Philadelphia, www.designphiladelphia.wordpress.com, Oct. 9, 2009.

* cited by examiner

Primary Examiner — Susan M Lee

Assistant Examiner — Linda G. Brooks

(74) *Attorney, Agent, or Firm* — Gottlieb, Rackman & Reisman, P.C.

(57) **CLAIM**

The ornamental design for a rack for wheeled vehicles and the like, as shown and described.

DESCRIPTION

FIG. 1 is a top, front and left perspective view of the rack for wheeled vehicles and the like with light beams emitted by an internal light emitting diode and having holes of alternate sizes, showing my new design;

FIG. 2 is a top plan view thereof;

FIG. 3 is a front elevational view thereof;

FIG. 4 is a left side elevational view thereof;

FIG. 5 is a right side elevational view thereof;

FIG. 6 is a bottom plan view thereof;

FIG. 7 is a top, front and left perspective view of a second embodiment of my new design having holes of equal sizes;

FIG. 8 is a top plan view of a second embodiment of my new design;

FIG. 9 is a front elevational view thereof;

FIG. 10 is a left side elevational view thereof;

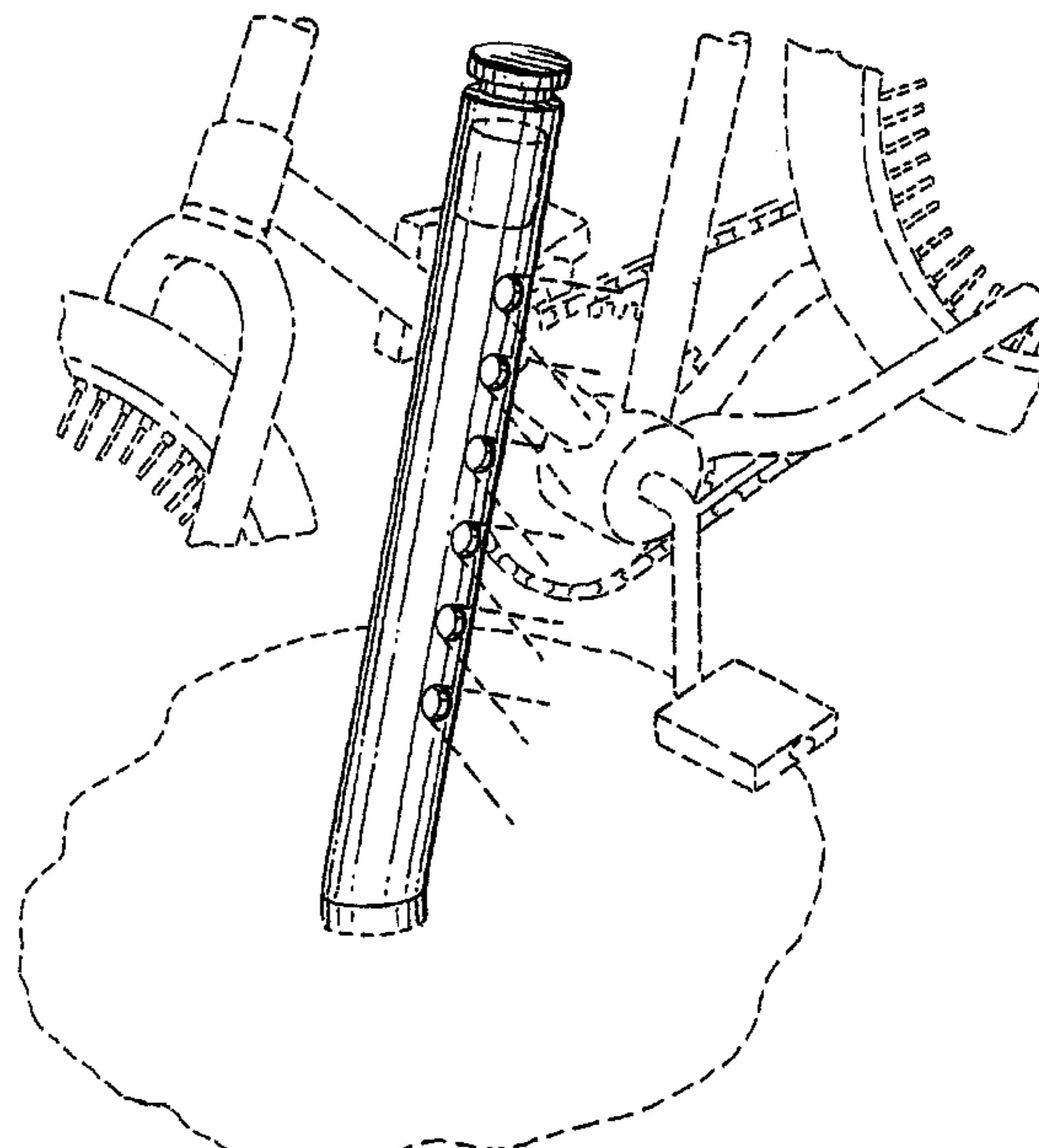
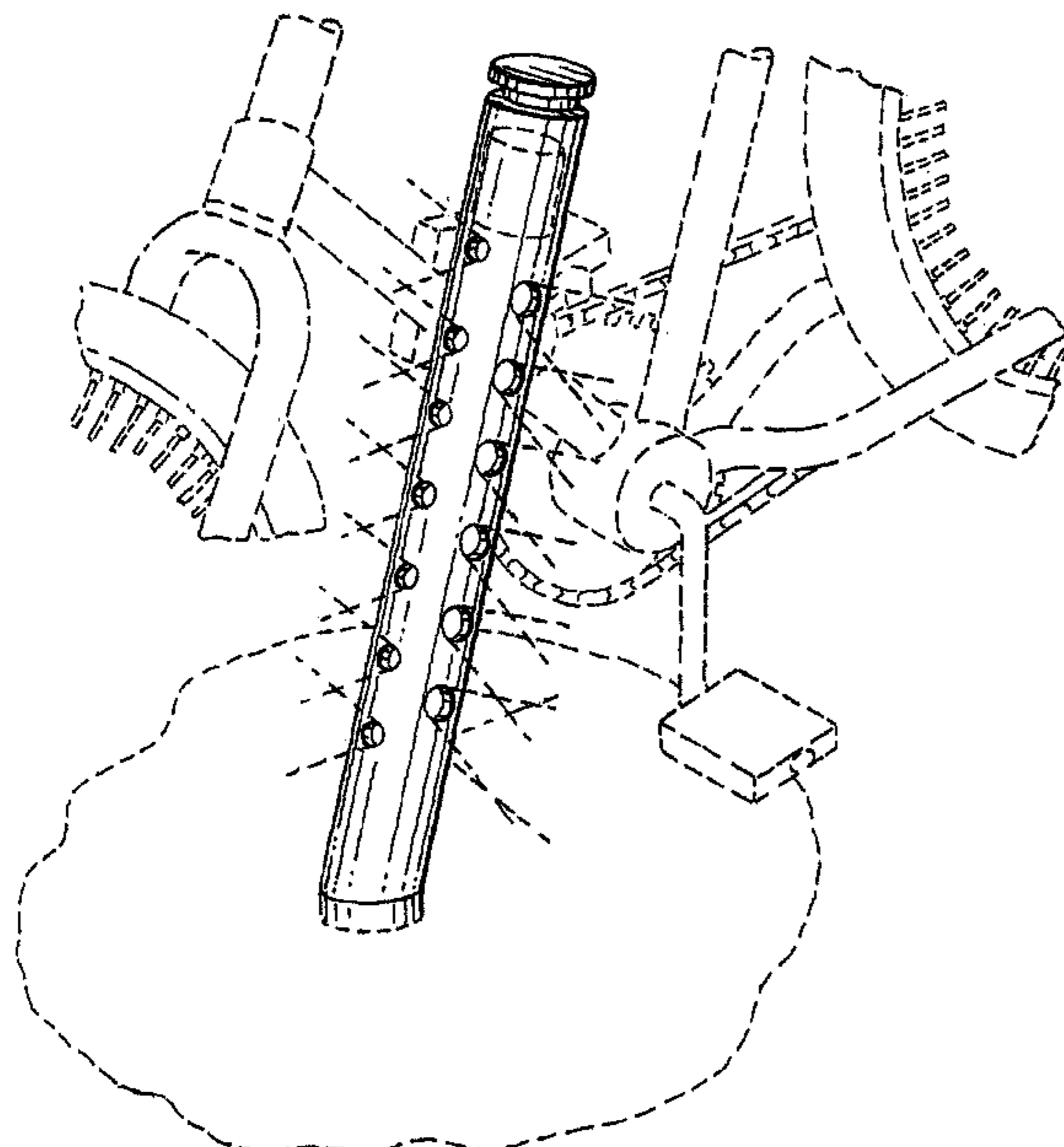
FIG. 11 is a right side elevational view thereof;

FIG. 12 is a bottom plan view thereof; and,

FIG. 13 is a top, front and left perspective view of a third embodiment of my new design without a light emitting diode and having holes of alternate sizes, the top plan view, the front elevational view, the left and right side elevational views and a bottom plan view being substantially the same as in FIGS. 1-6 but without a light emitting diode.

The broken lines in FIGS. 1, 7, and 13 showing relevant parts of the wheeled vehicle and environment form no part of the claimed design. The broken lines in FIGS. 1 and 7 showing the light emitting diode and light beams emitting therefrom form no part of the claimed design.

1 Claim, 5 Drawing Sheets



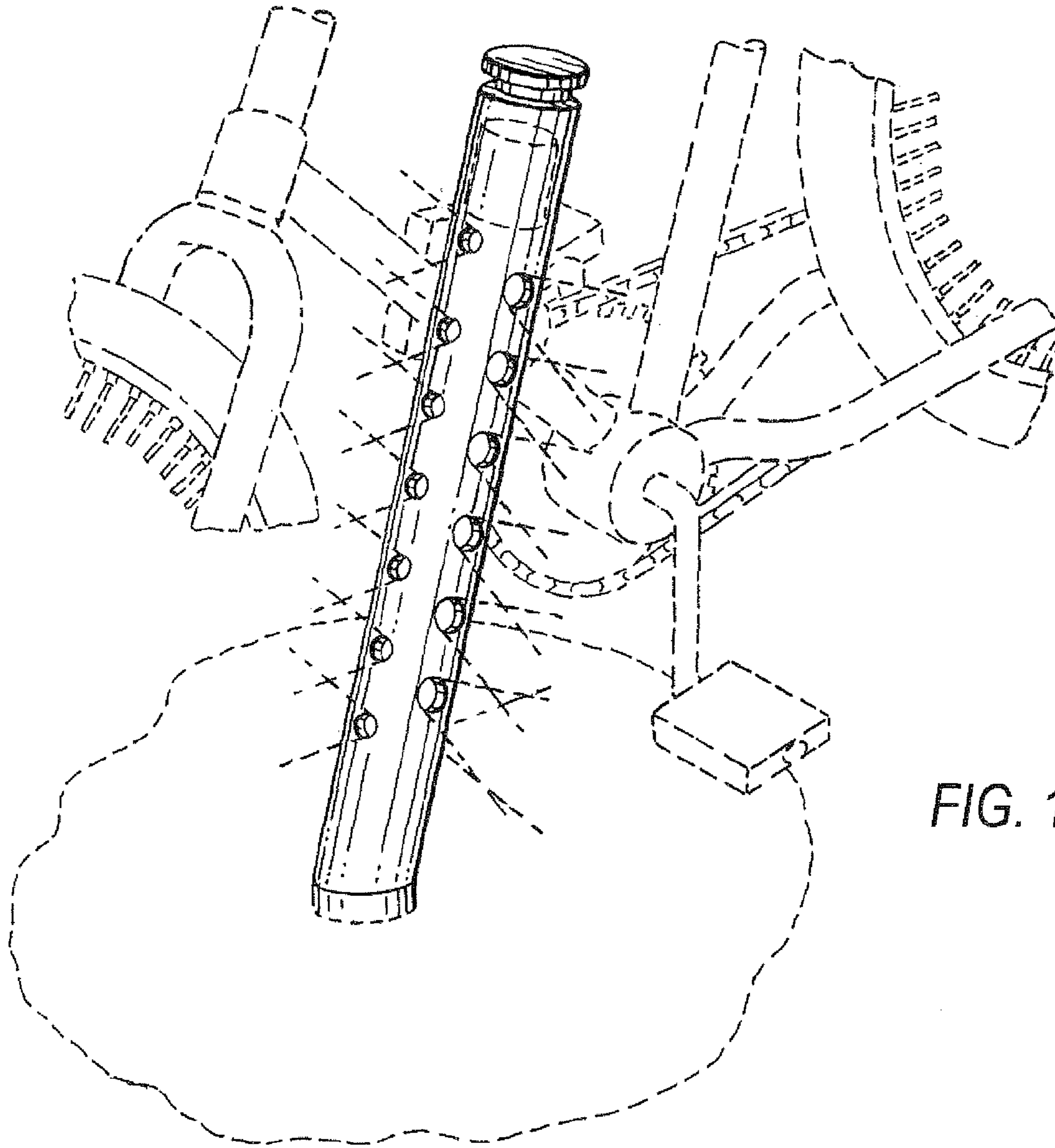


FIG. 1

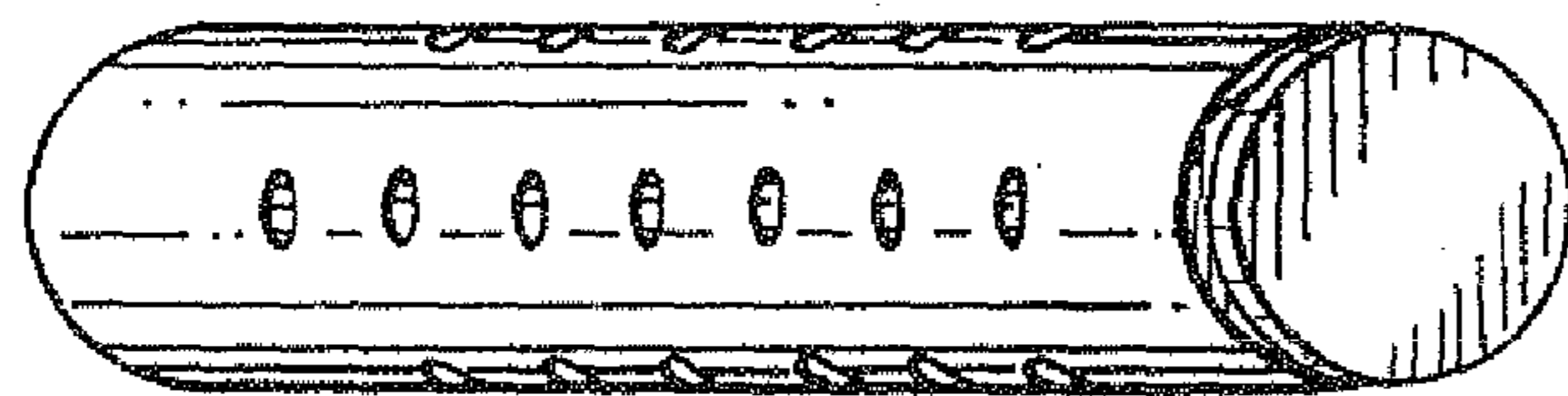


FIG. 2

FIG. 4

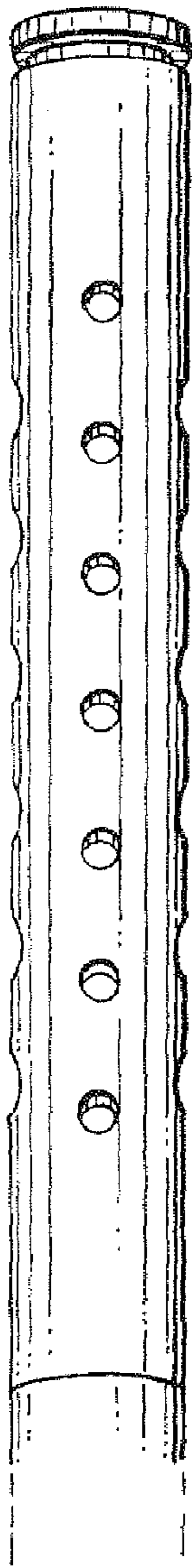


FIG. 3

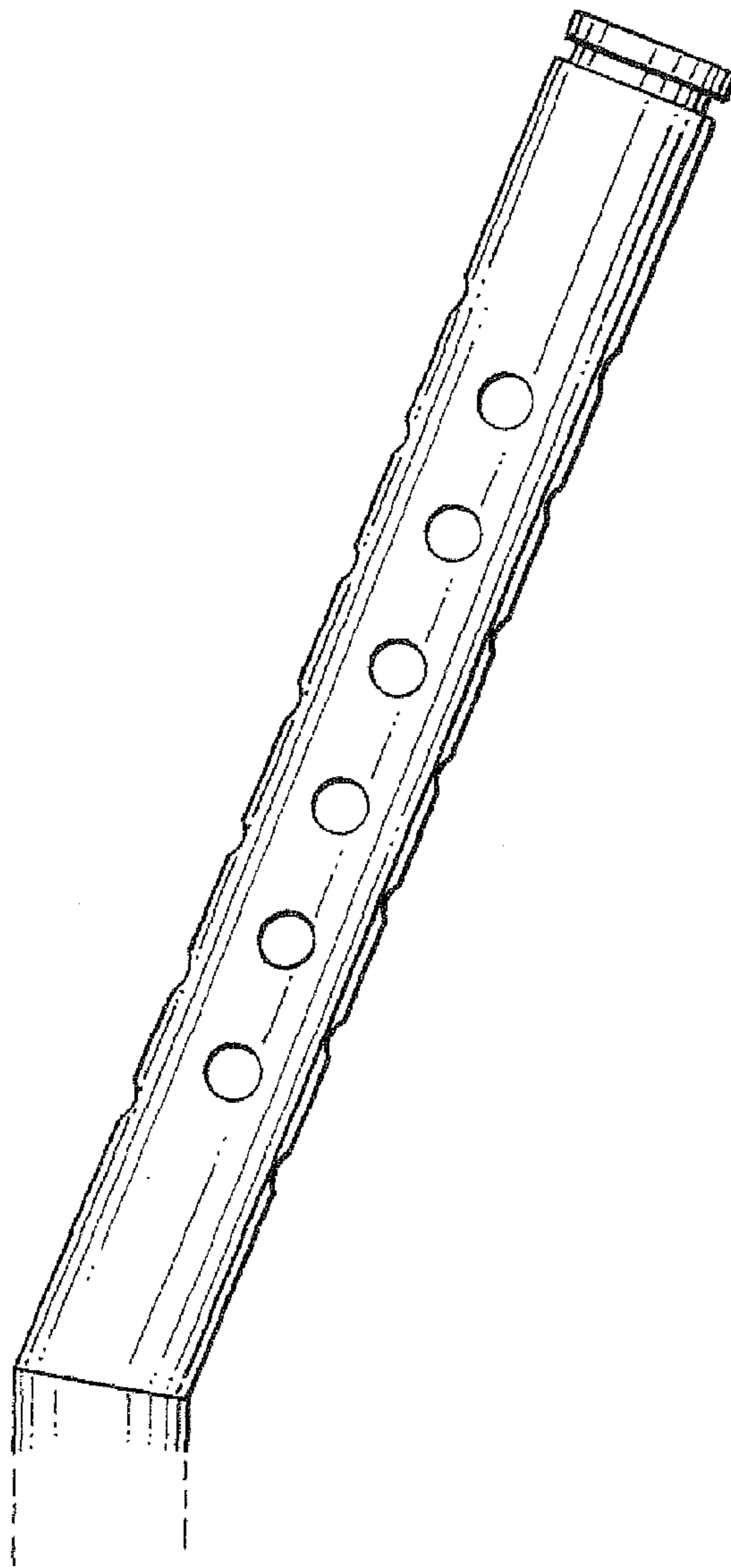


FIG. 5

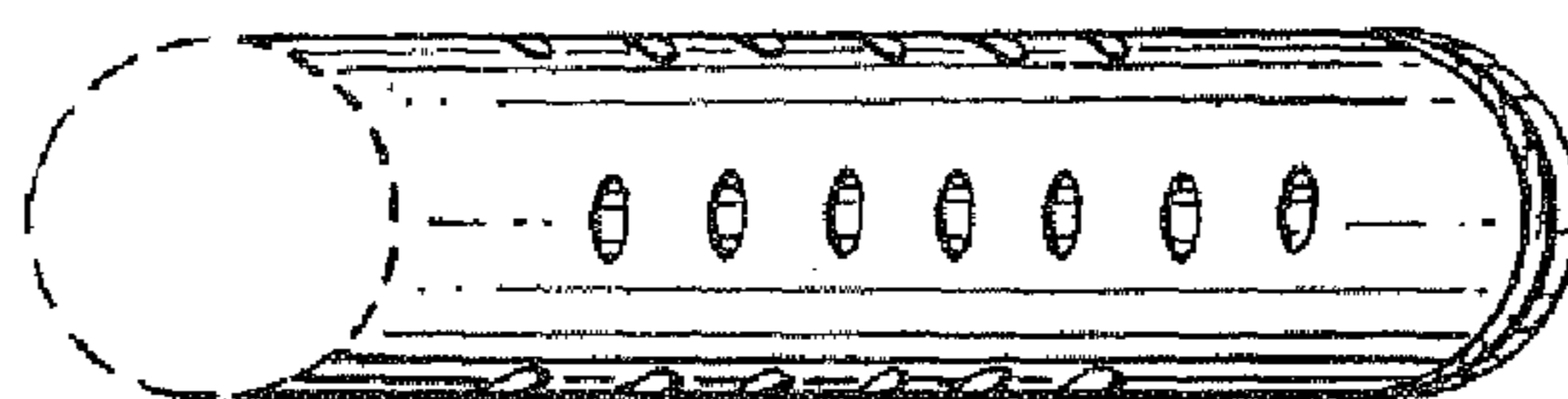
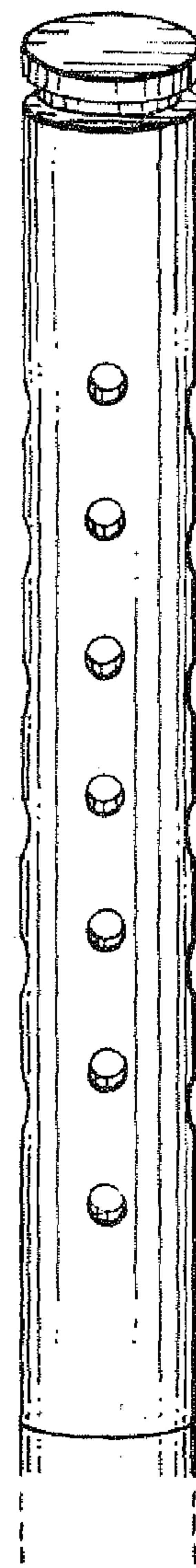


FIG. 6

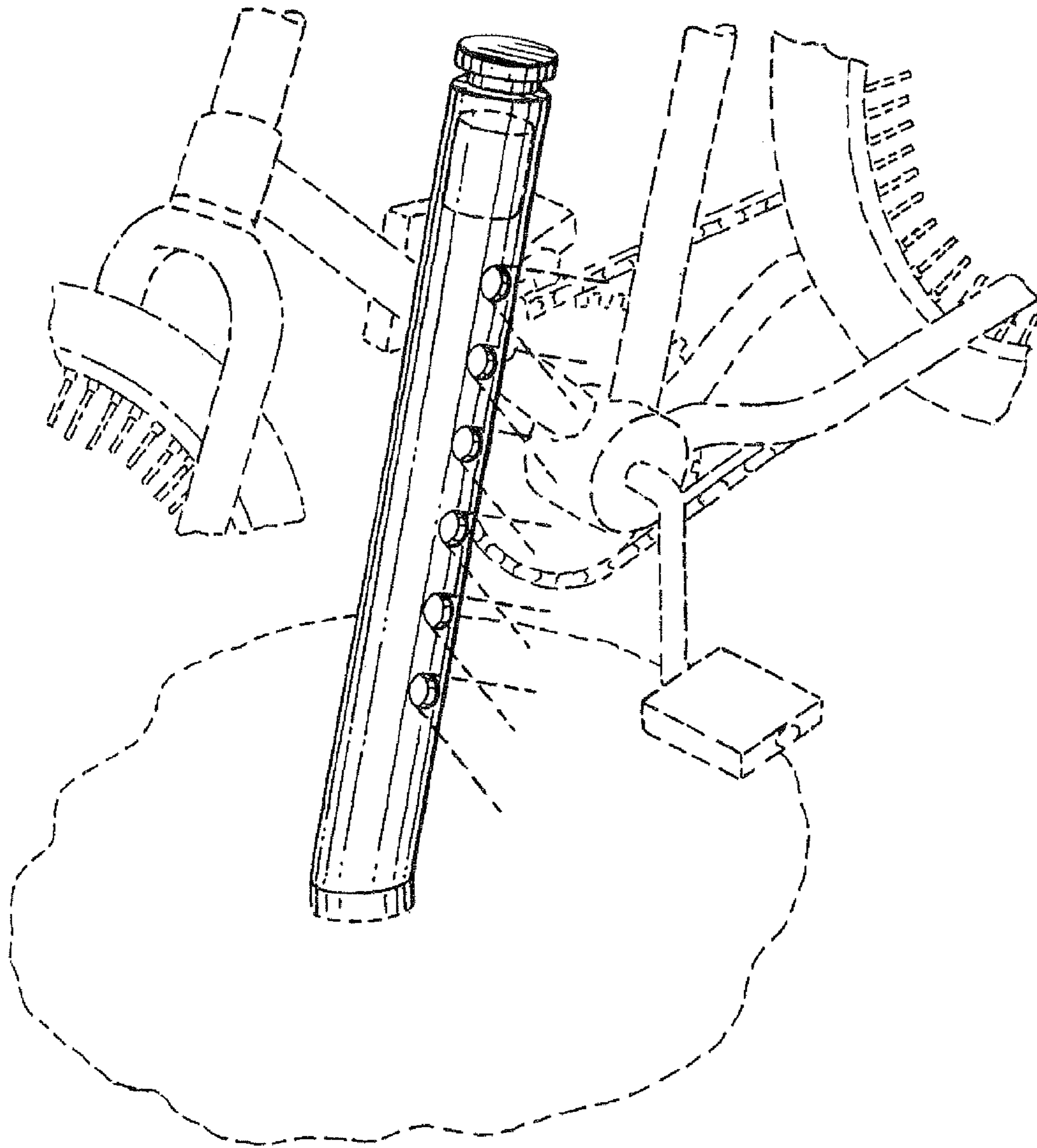


FIG. 7

FIG. 8

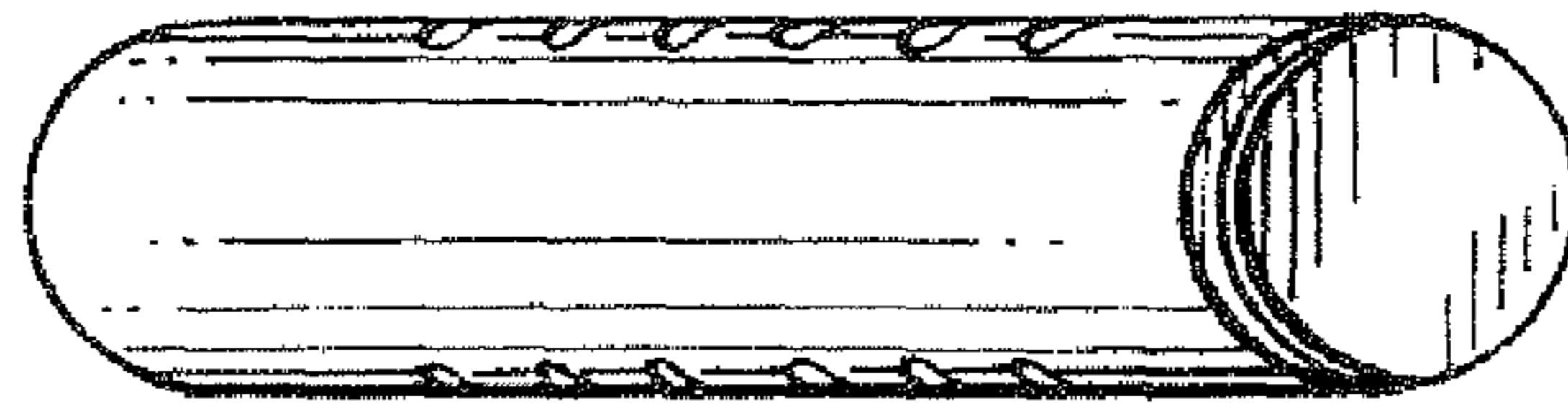


FIG. 9

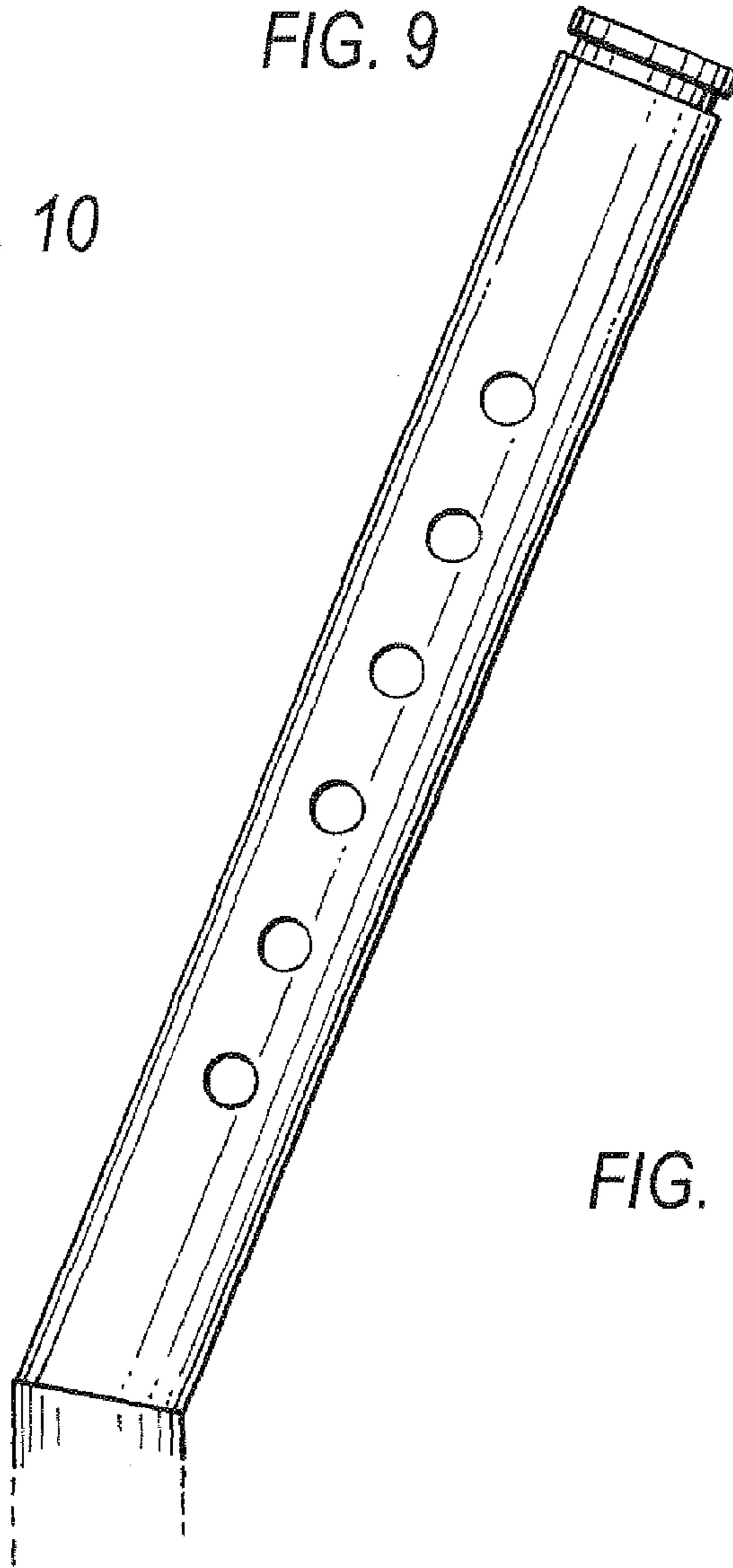


FIG. 10

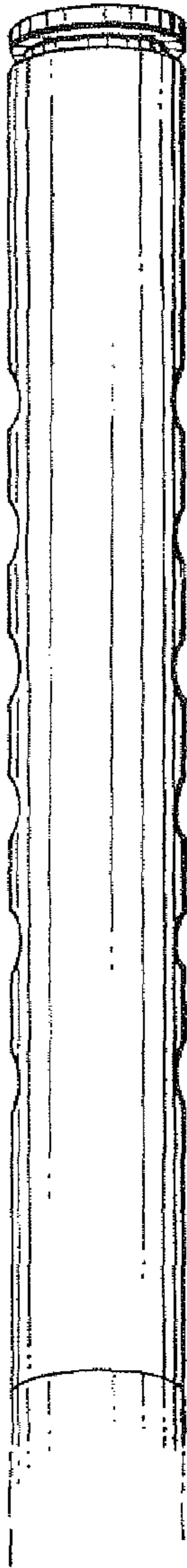


FIG. 11

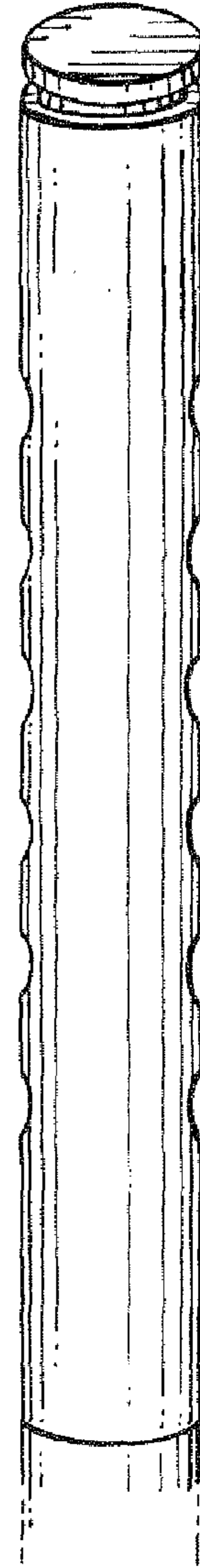
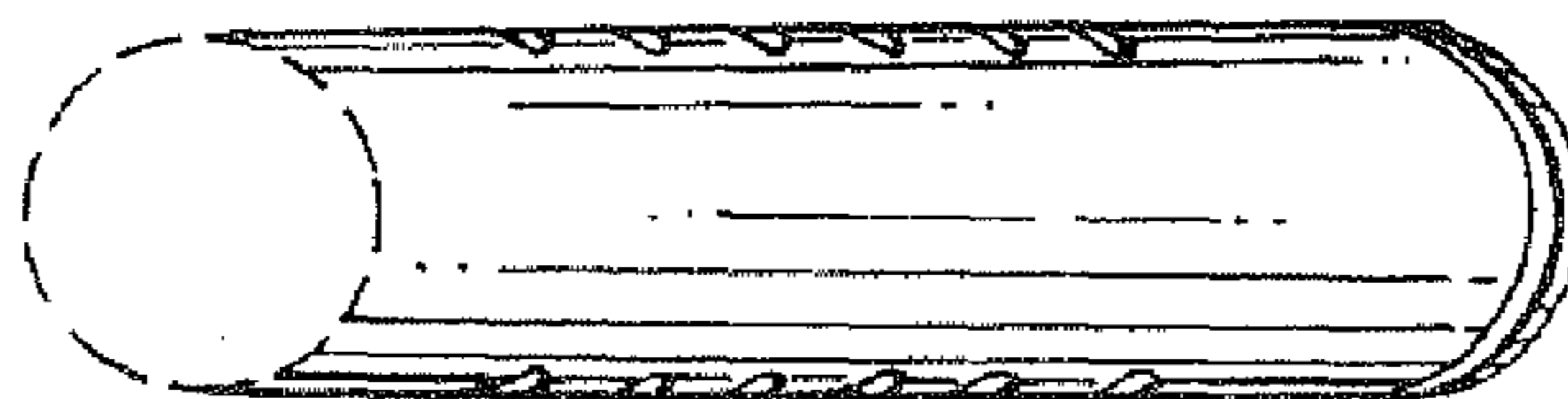


FIG. 12



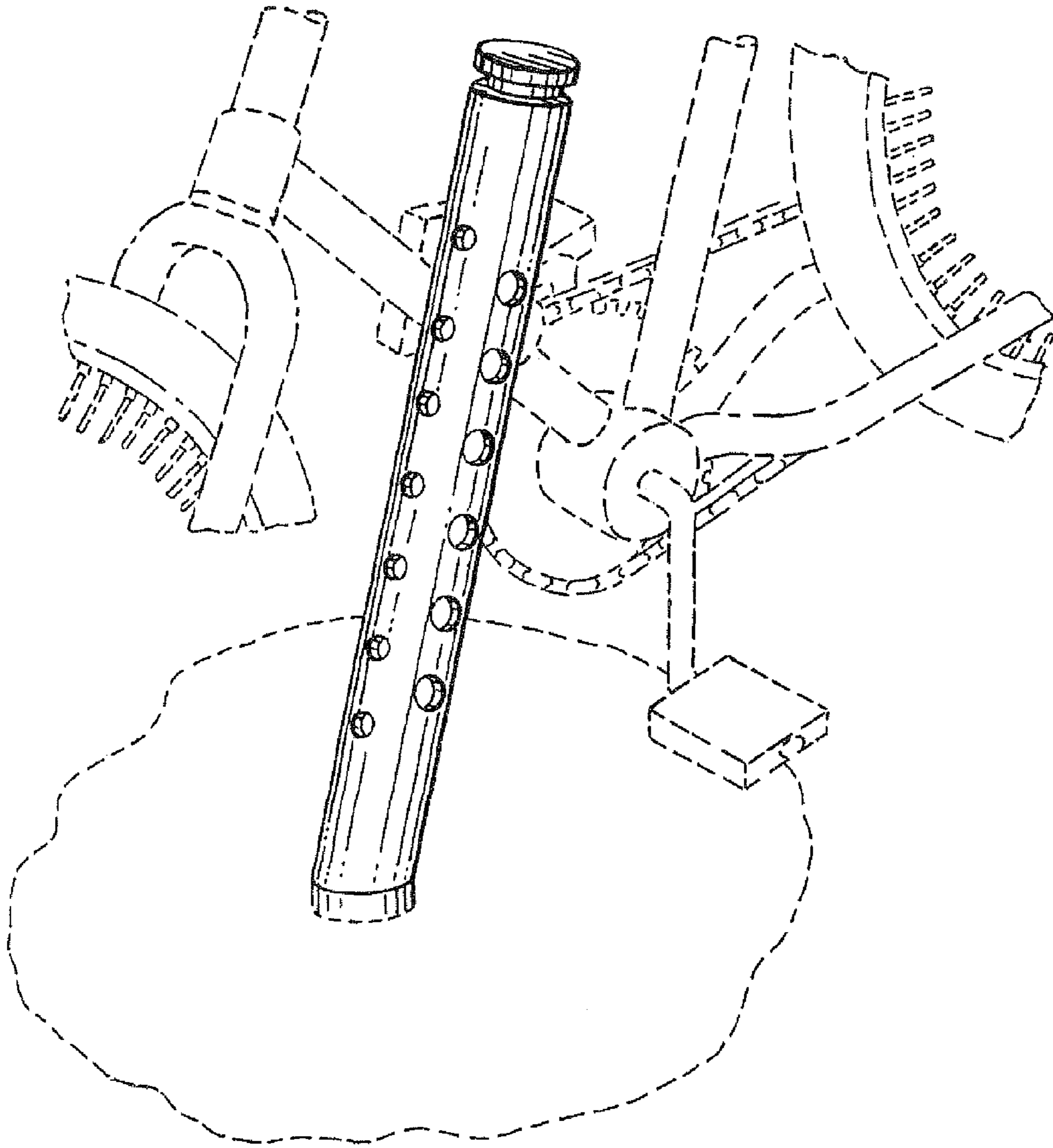


FIG. 13