



US00D654403S

(12) **United States Design Patent**
Kyu

(10) **Patent No.:** **US D654,403 S**

(45) **Date of Patent:** **** Feb. 21, 2012**

(54) **BICYCLE**

(75) Inventor: **Song Joon Kyu**, Kyungki-Do (KR)

(73) Assignee: **Mando Corporation**, Gyeonggi-Do (KR)

(**) Term: **14 Years**

(21) Appl. No.: **29/379,860**

(22) Filed: **Nov. 24, 2010**

(30) **Foreign Application Priority Data**

May 26, 2010 (KR) 30-2010-0023268

(51) **LOC (9) Cl.** **12-11**

(52) **U.S. Cl.** **D12/111**

(58) **Field of Classification Search** D12/111;
280/274-280, 281.1, 283-288, 288.1-288.4
See application file for complete search history.

(56) **References Cited**

U.S. PATENT DOCUMENTS

6,032,971	A *	3/2000	Herder	280/278
6,267,401	B1 *	7/2001	De Jong	280/287
6,688,625	B1 *	2/2004	Schreuder et al.	280/260
D487,234	S *	3/2004	Chen et al.	D12/111
6,764,090	B1 *	7/2004	Pan	280/278
D494,508	S *	8/2004	Liu	D12/111
D497,574	S *	10/2004	Yamabe	D12/111
D547,702	S *	7/2007	Tabuchi et al.	D12/111

* cited by examiner

Primary Examiner — Susan M Lee

Assistant Examiner — Linda G. Brooks

(74) *Attorney, Agent, or Firm* — McDermott Will & Emery LLP

(57) **CLAIM**

The ornamental design for a bicycle, as shown and described.

DESCRIPTION

FIG. 1 is a front/right-side/top perspective view of a bicycle showing the new design;

FIG. 2 is a front-side elevational view thereof;

FIG. 3 is a rear-side elevational view thereof;

FIG. 4 is a left-side elevational view thereof;

FIG. 5 is a right-side elevational view thereof;

FIG. 6 is a top-side elevational view thereof; and

FIG. 7 is a bottom-side elevational view thereof.

FIG. 8 is a front/right-side/top perspective view of the bicycle in a folded configuration;

FIG. 9 is a front-side elevational view thereof;

FIG. 10 is a rear-side elevational view thereof;

FIG. 11 is a left-side elevational view thereof;

FIG. 12 is a right-side elevational view thereof;

FIG. 13 is a top-side elevational view thereof; and,

FIG. 14 is a bottom-side elevational view thereof.

1 Claim, 14 Drawing Sheets

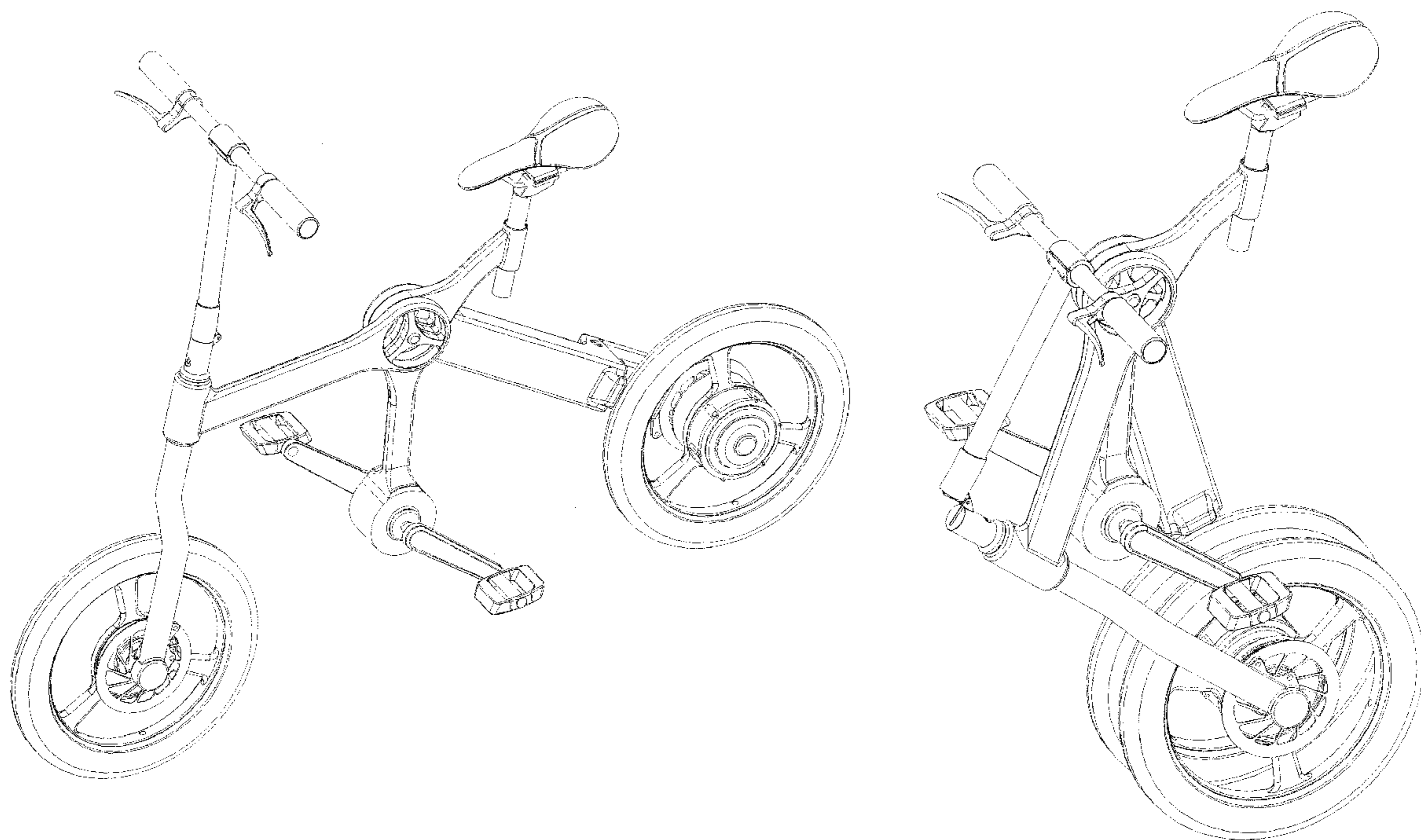


FIG. 1

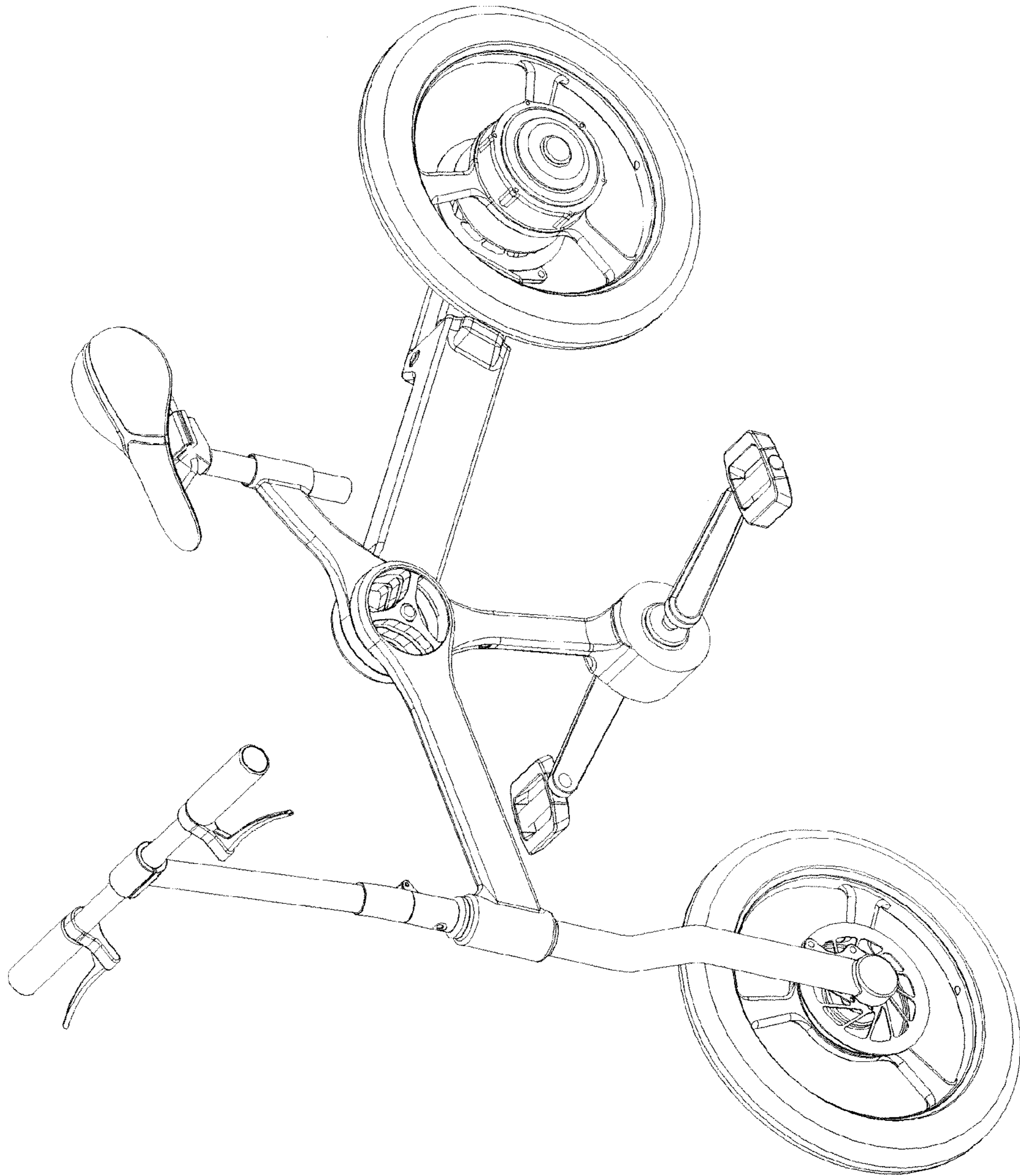


FIG. 2

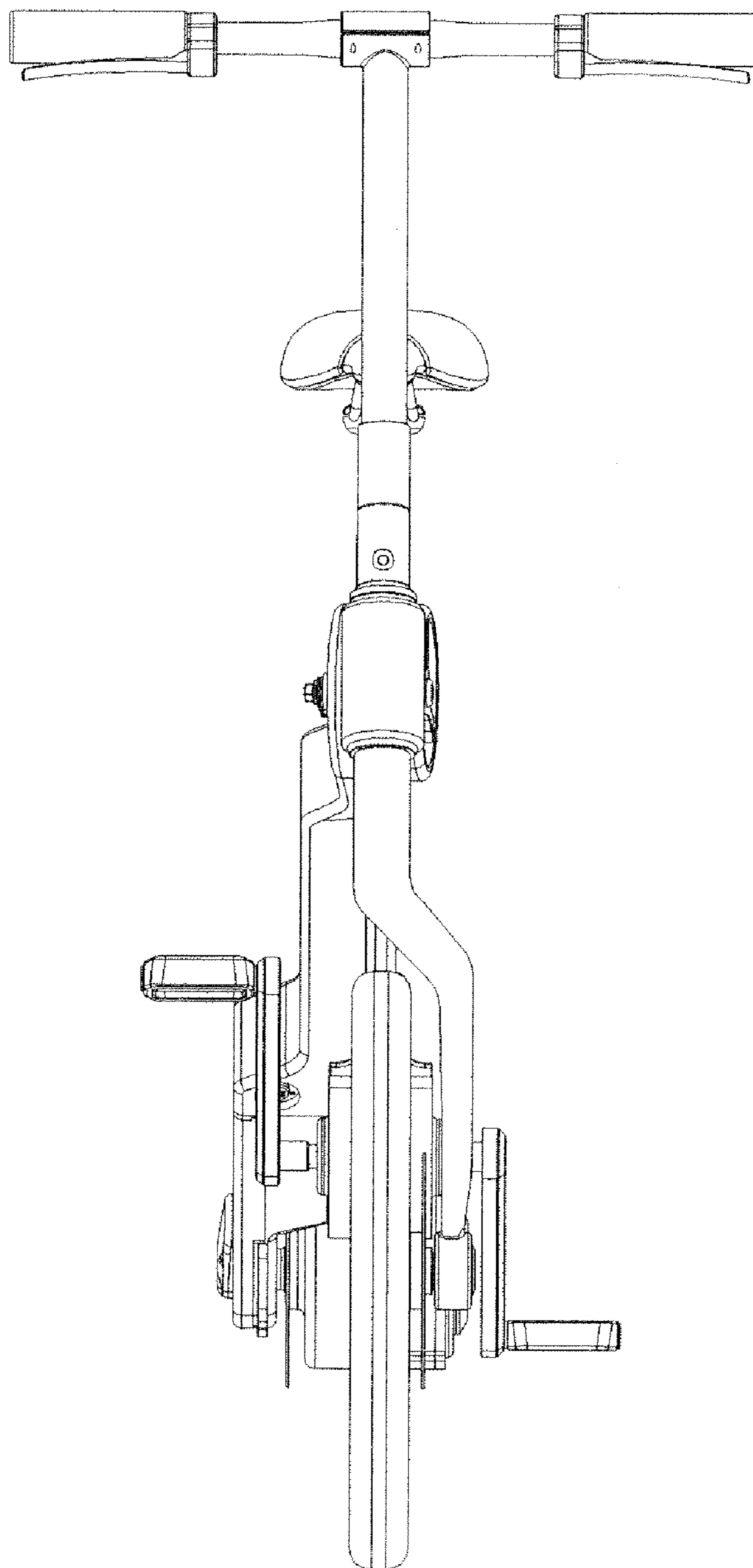


FIG. 3

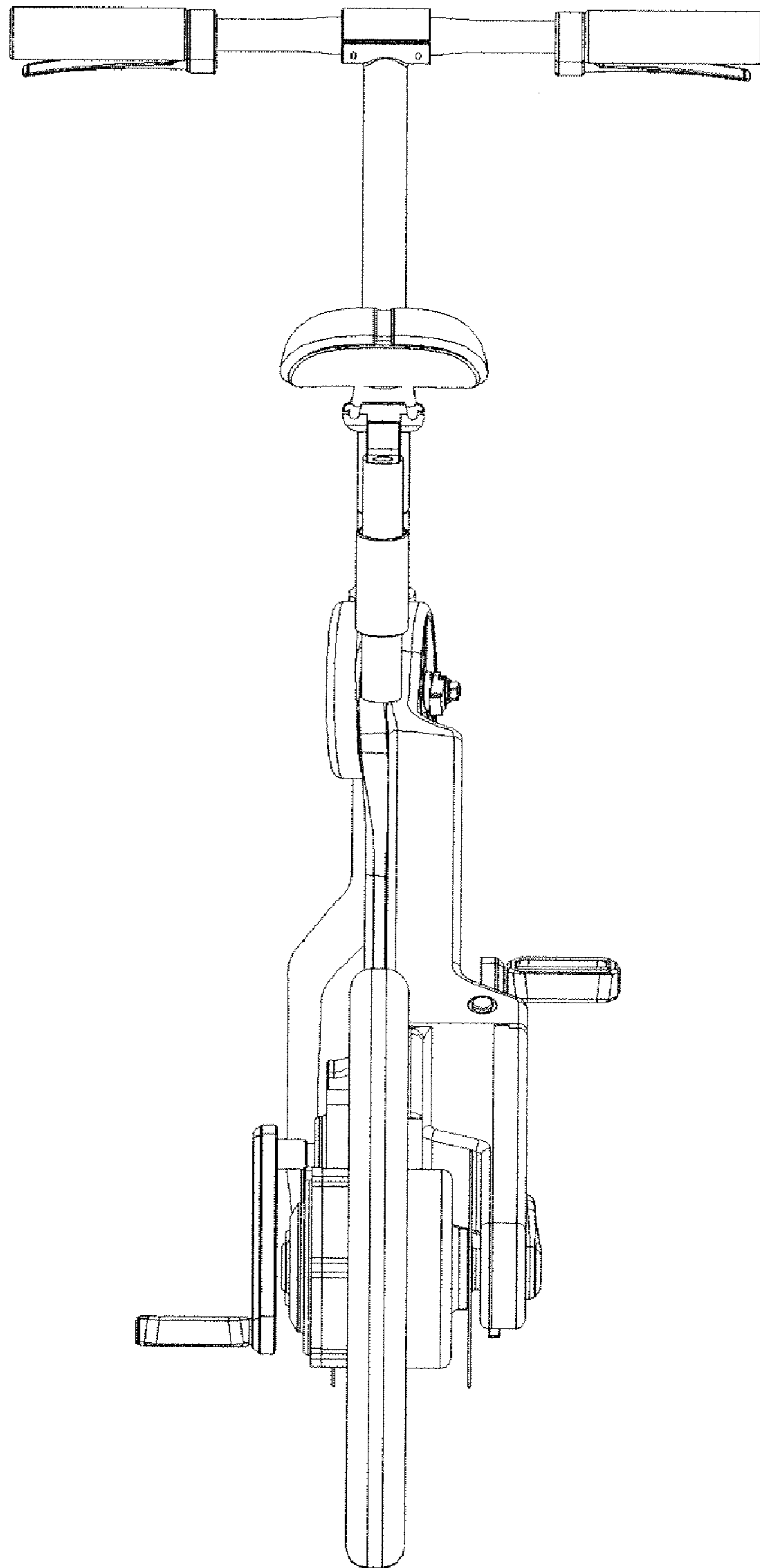


FIG. 4

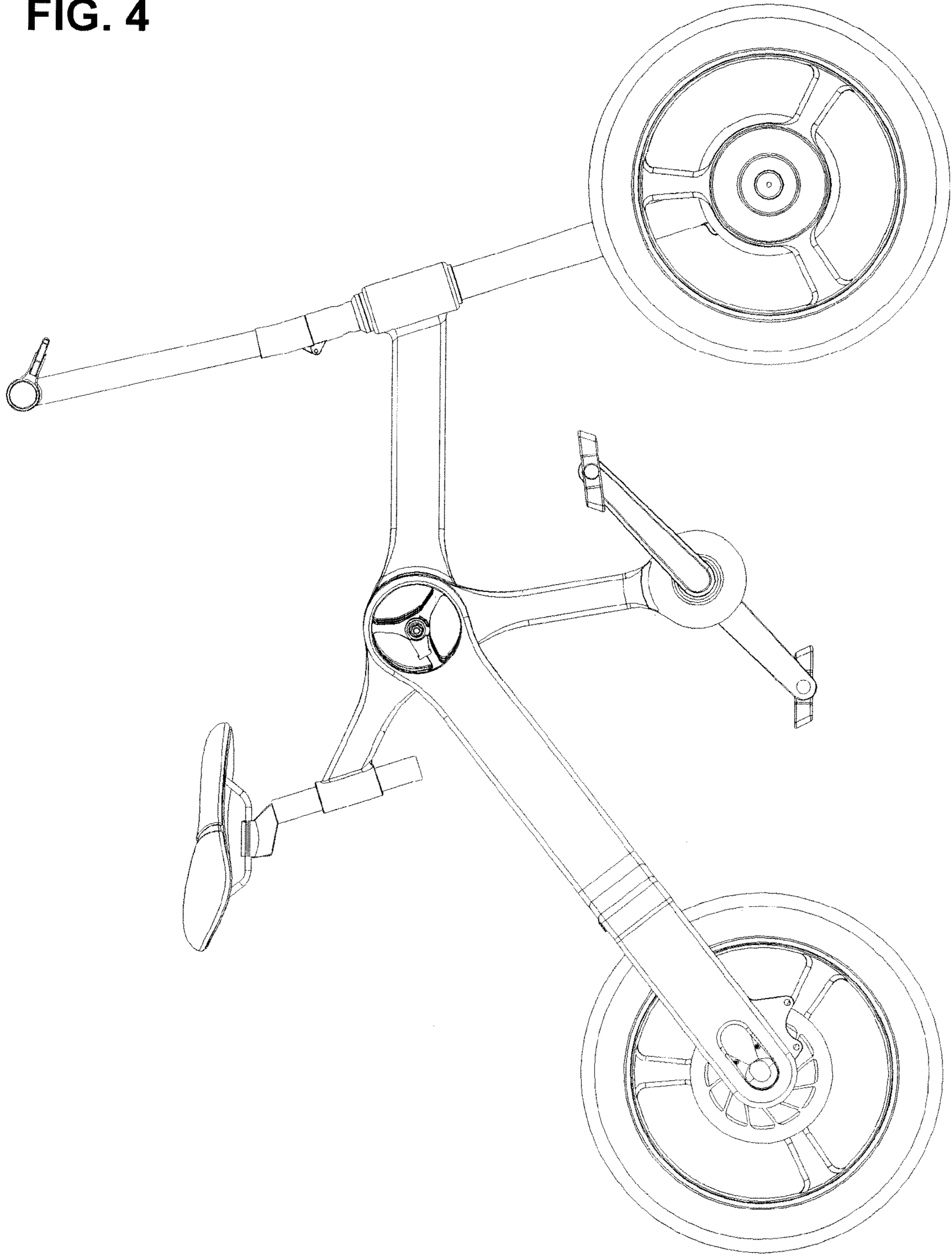


FIG. 5

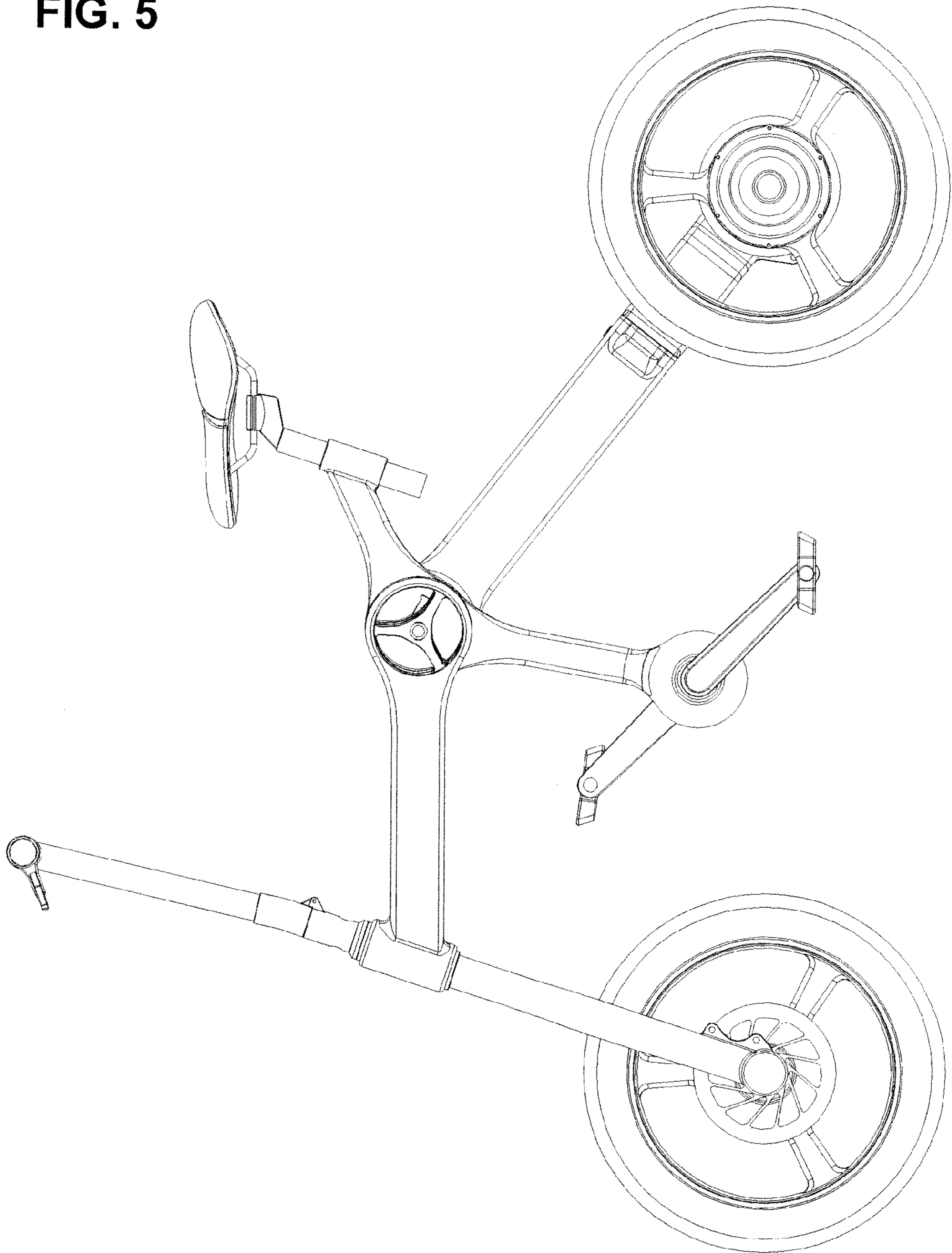


FIG. 6

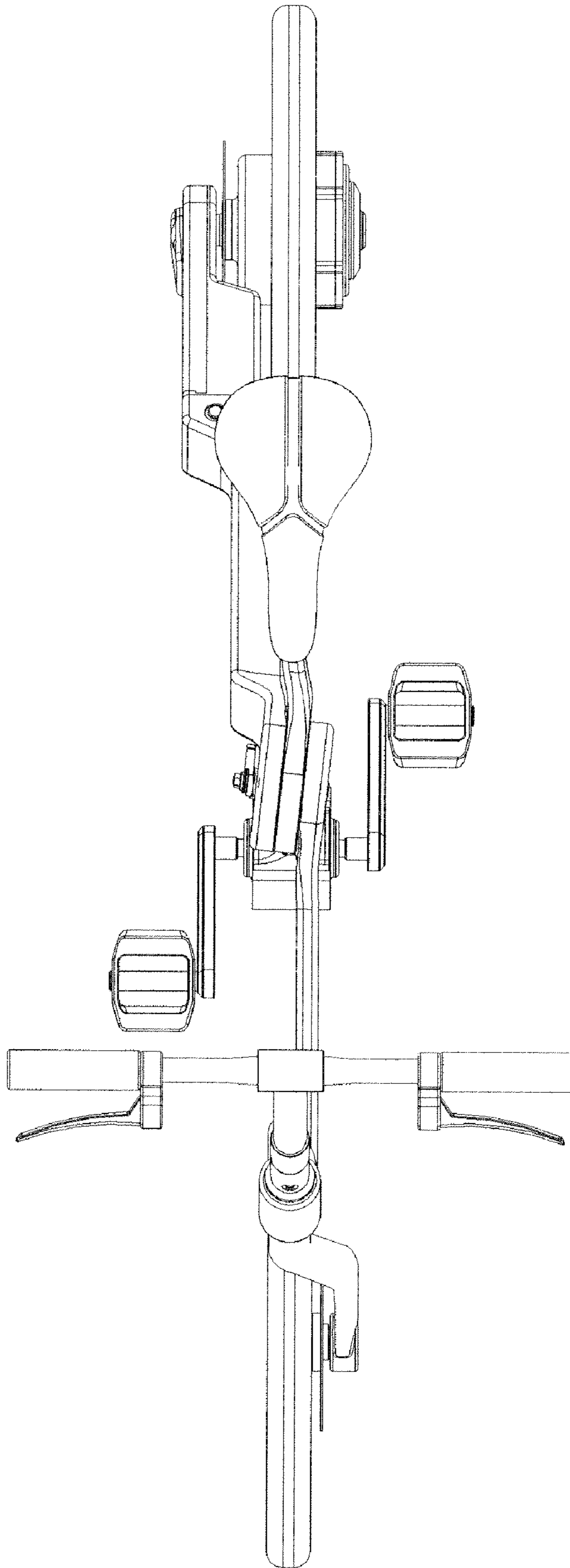


FIG. 7

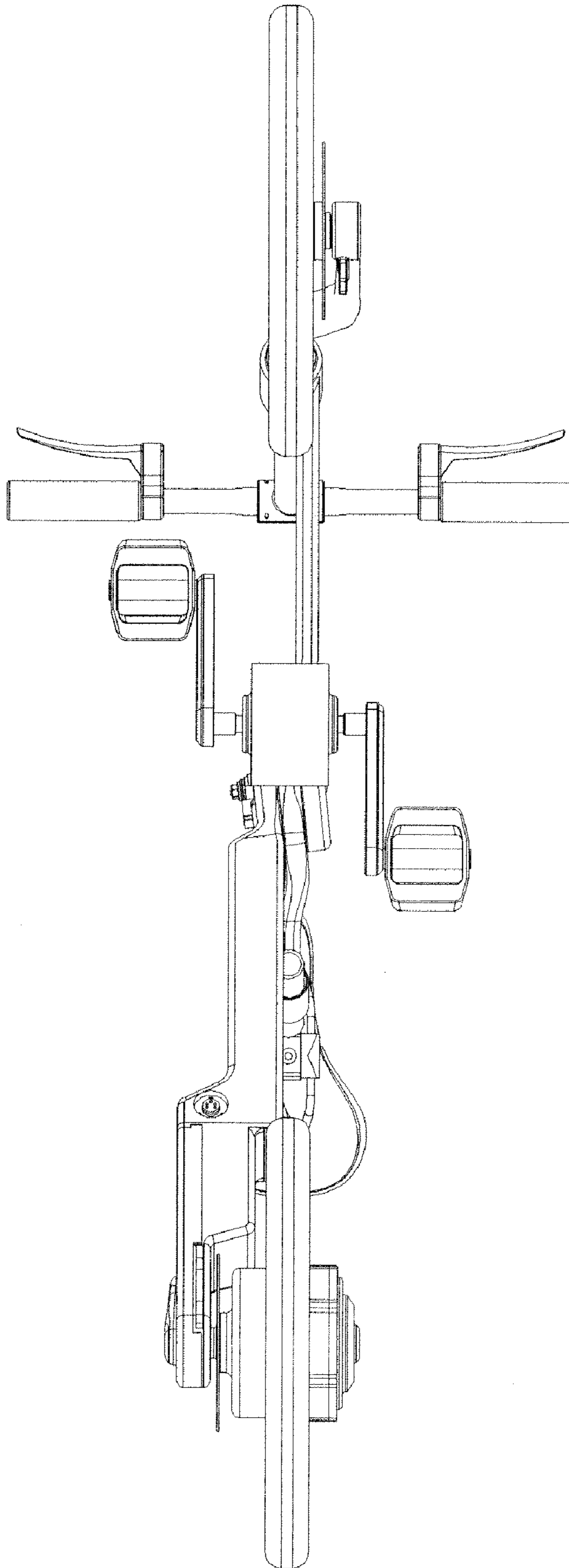


FIG. 8

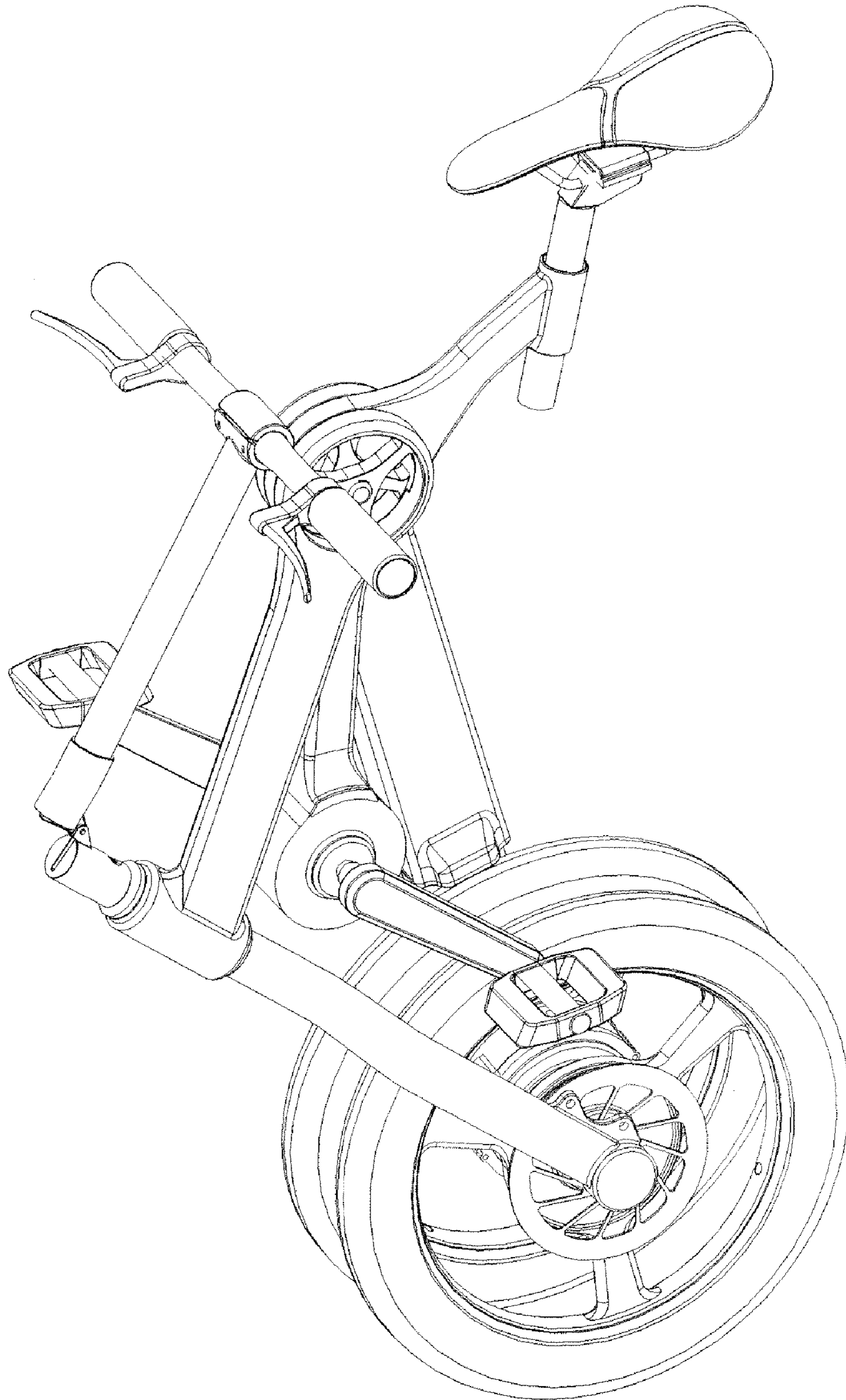


FIG. 9

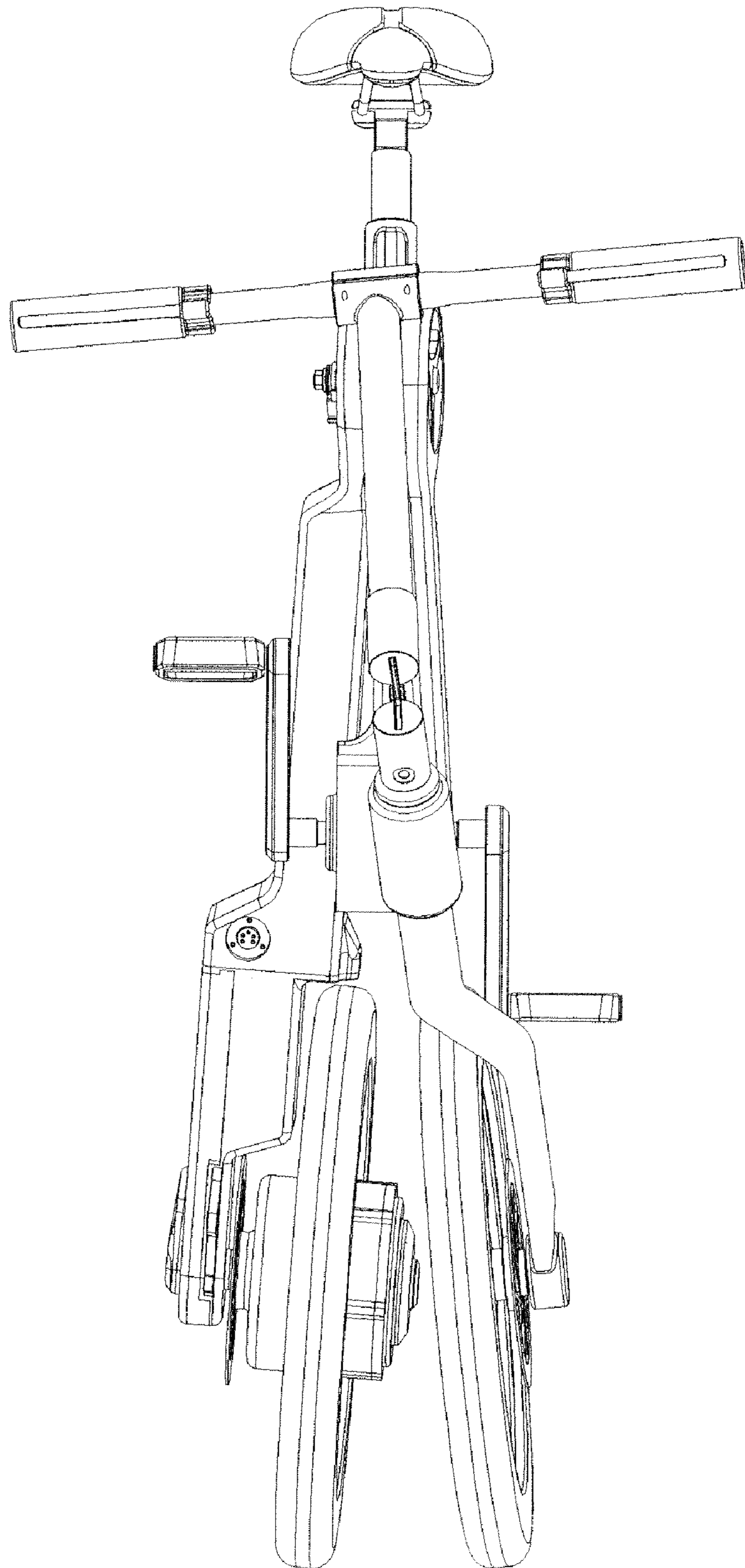


FIG. 10

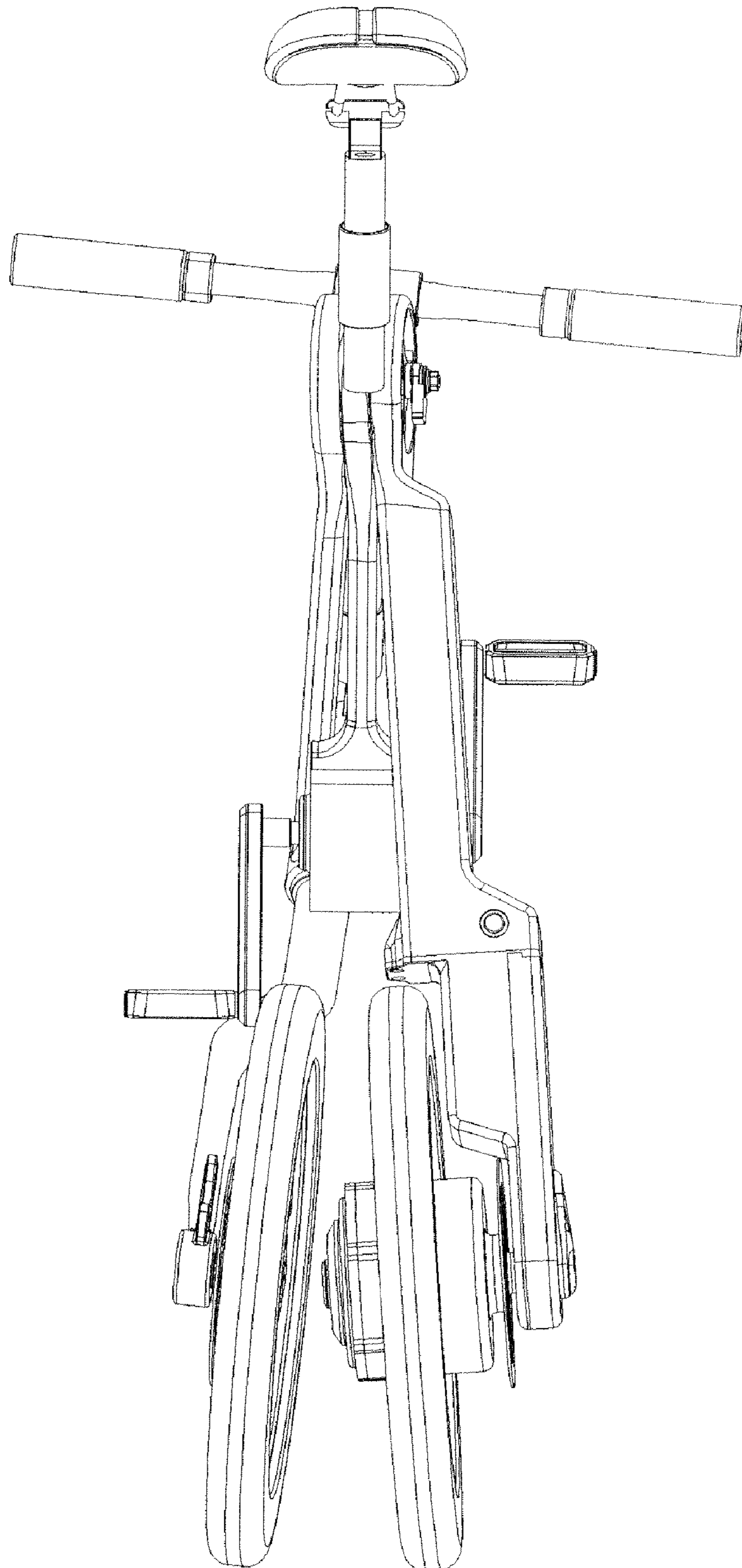


FIG. 11

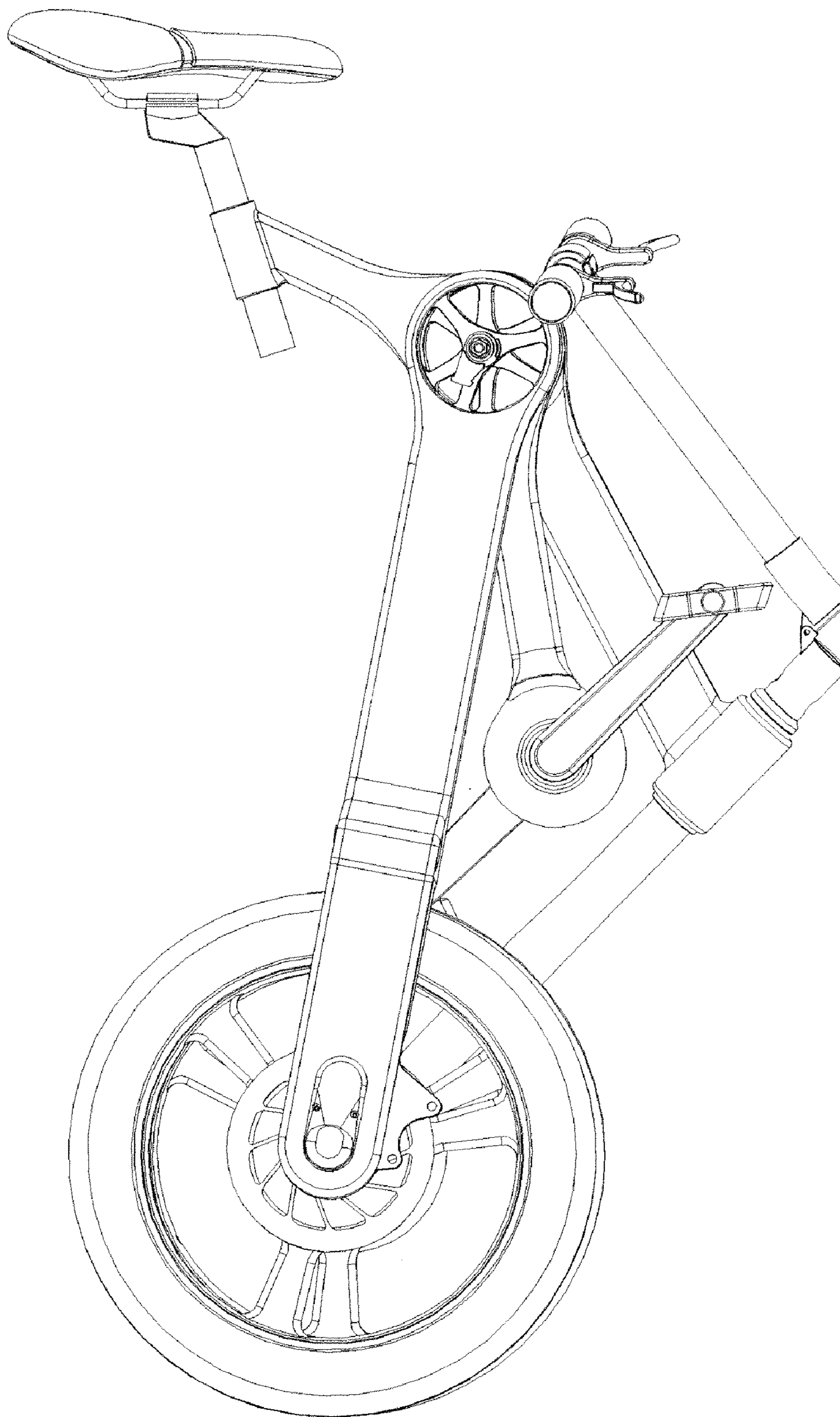


FIG. 12

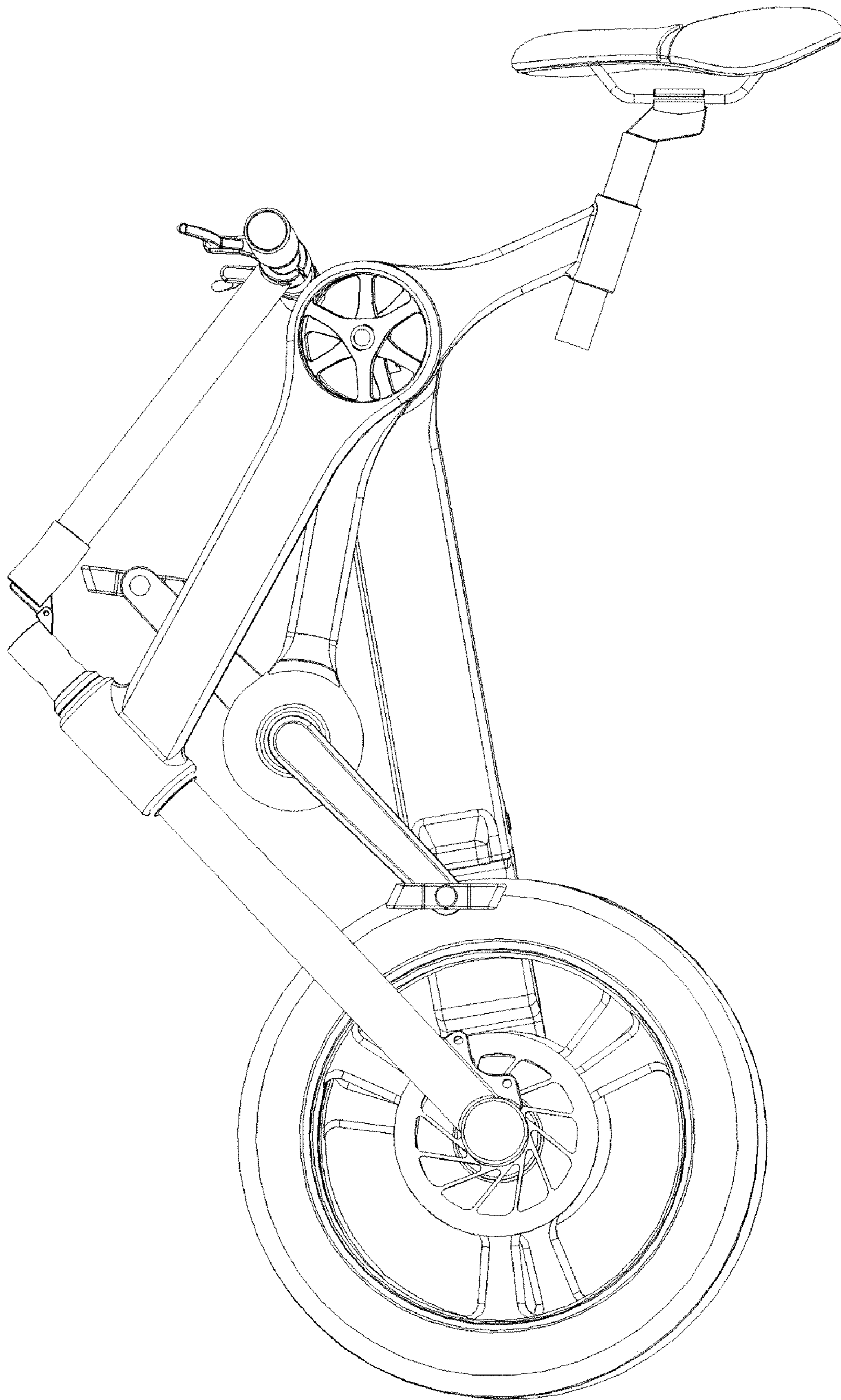


FIG. 13

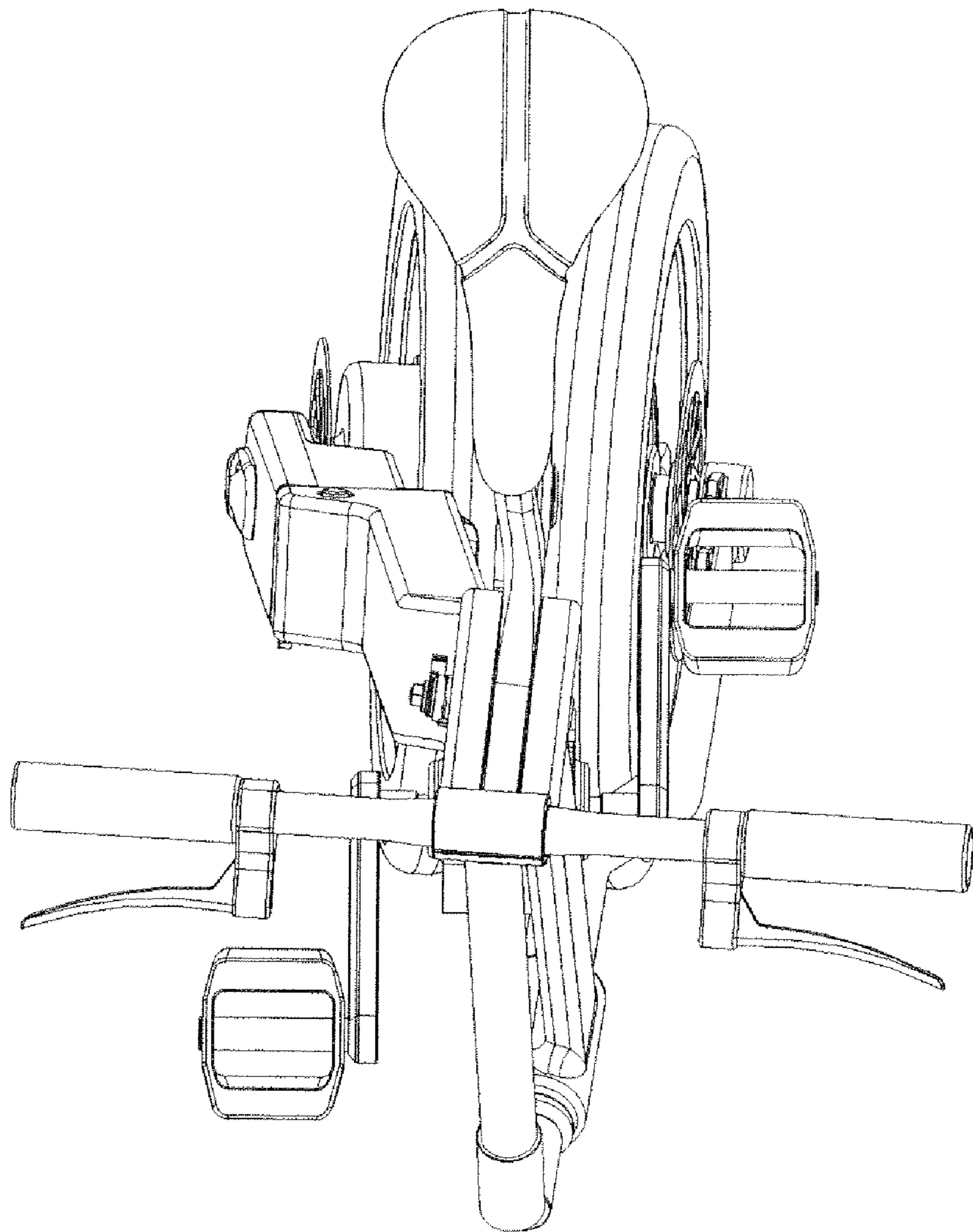


FIG. 14

