

US00D654391S

(12) **United States Design Patent**  
**Minkkinen et al.**

(10) **Patent No.:** **US D654,391 S**

(45) **Date of Patent:** **\*\* Feb. 21, 2012**

(54) **PENDANT**

(75) Inventors: **Molly Alice Minkkinen**, Two Harbors, MN (US); **John Harvey Marxhausen**, Knife River, MN (US)

(73) Assignee: **Molly Alice Harney**, Two Harbors, MN (US)

(\*\*) Term: **14 Years**

(21) Appl. No.: **29/401,204**

(22) Filed: **Sep. 8, 2011**

**Related U.S. Application Data**

(62) Division of application No. 29/359,340, filed on Apr. 8, 2010, now Pat. No. Des. 646,600.

(51) **LOC (9) Cl.** ..... **11-02**

(52) **U.S. Cl.** ..... **D11/79; D11/40**

(58) **Field of Classification Search** ..... D11/1-86;  
63/12, 13, 14.1-14.8, 15, 15.1-15.4, 15.45,  
63/15.5, 15.7, 26-28

See application file for complete search history.

(56) **References Cited**

**U.S. PATENT DOCUMENTS**

1,510,420	A	*	9/1924	Sherman	.....	7/168
D241,365	S	*	9/1976	Durante	.....	D11/79
D249,339	S	*	9/1978	Coulthurst	.....	D11/79
D252,561	S	*	8/1979	Durante	.....	D11/79
D260,861	S	*	9/1981	Han	.....	D11/79
D271,188	S	*	11/1983	Weeks	.....	D11/79
D300,079	S	*	2/1989	Smith	.....	D99/27
D333,279	S	*	2/1993	Fryklund	.....	D11/43
D354,017	S	*	1/1995	Brown et al.	.....	D11/43
D445,570	S	*	7/2001	Ferragamo	.....	D3/318
D475,651	S	*	6/2003	Sloot	.....	D11/95

D539,187	S	*	3/2007	Chang	.....	D11/116
D569,756	S	*	5/2008	Smith	.....	D11/3
D587,834	S	*	3/2009	Moritz	.....	D26/76
D600,138	S	*	9/2009	Tang	.....	D10/30
D610,735	S	*	2/2010	Chien	.....	D26/76
D618,130	S	*	6/2010	Polonye	.....	D11/80
D619,919	S	*	7/2010	Harding	.....	D11/80
D634,117	S	*	3/2011	Morrish et al.	.....	D3/207

\* cited by examiner

*Primary Examiner* — Austin Murphy

(74) *Attorney, Agent, or Firm* — Avery, Whigham & Winesett, P.A.; Nathan Stamey Winesett

(57) **CLAIM**

What is claimed is the ornamental design for pendant, as shown and described herein.

**DESCRIPTION**

FIG. 1 is a front bottom left perspective view of a pendant showing my new design;

FIG. 2 is a front bottom right perspective view of the pendant shown in FIG. 1;

FIG. 3 is a front view of the pendant shown in FIG. 1;

FIG. 4 is a back view of the pendant shown in FIG. 1;

FIG. 5 is a left side view of the pendant shown in FIG. 1;

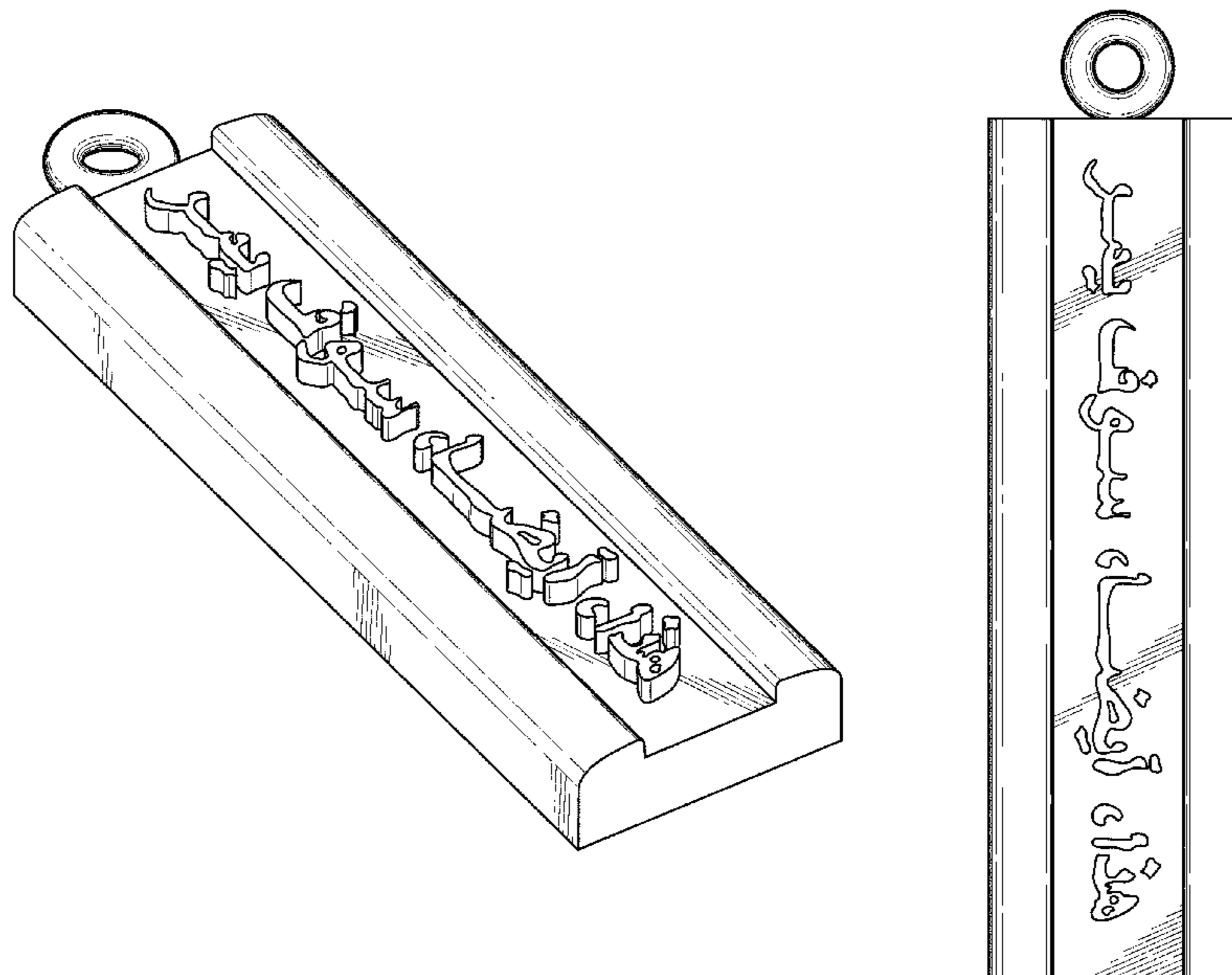
FIG. 6 is a right side view of the pendant shown in FIG. 1;

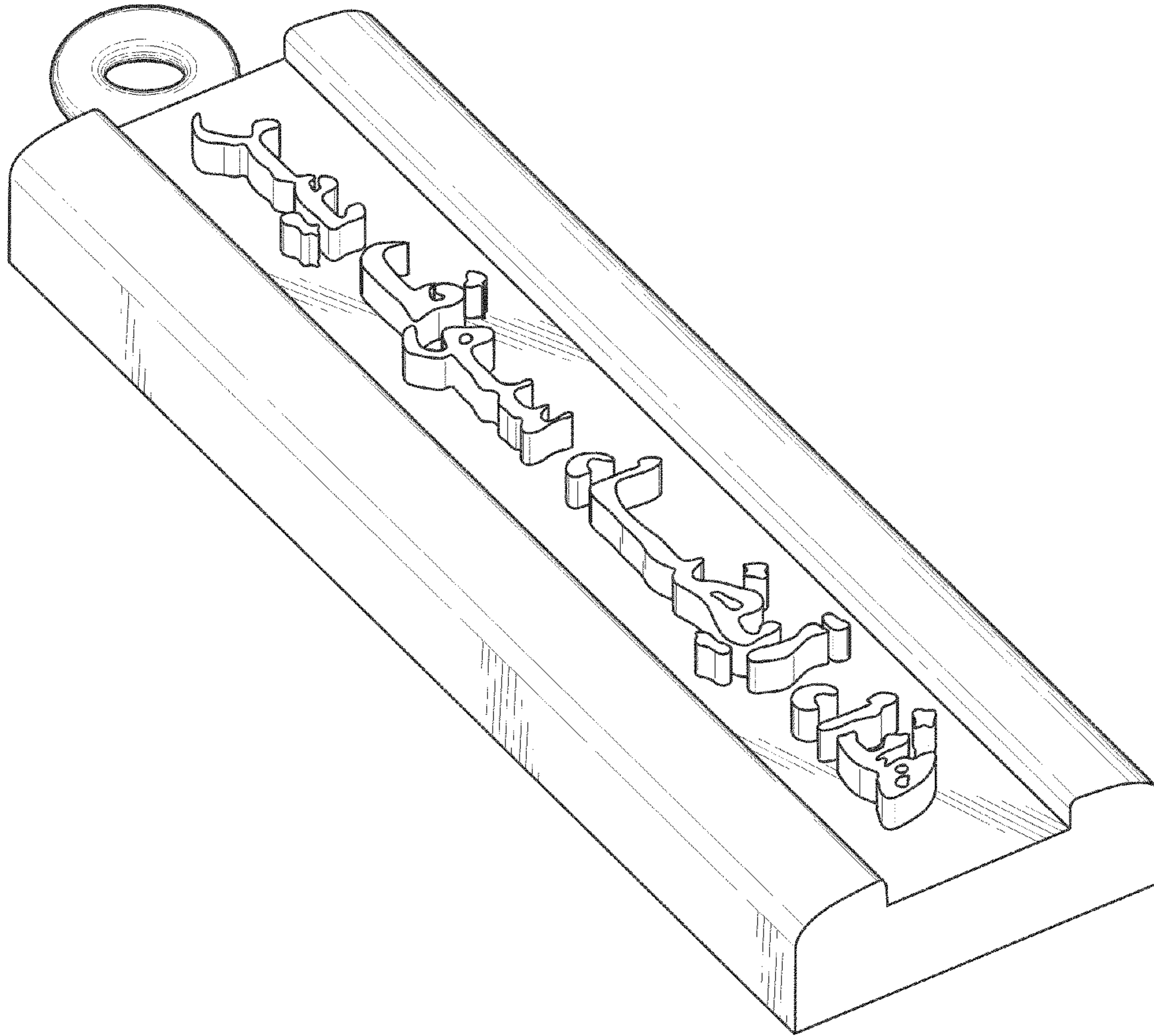
FIG. 7 is a top view of the pendant shown in FIG. 1; and,

FIG. 8 is a bottom view of the pendant shown in FIG. 1.

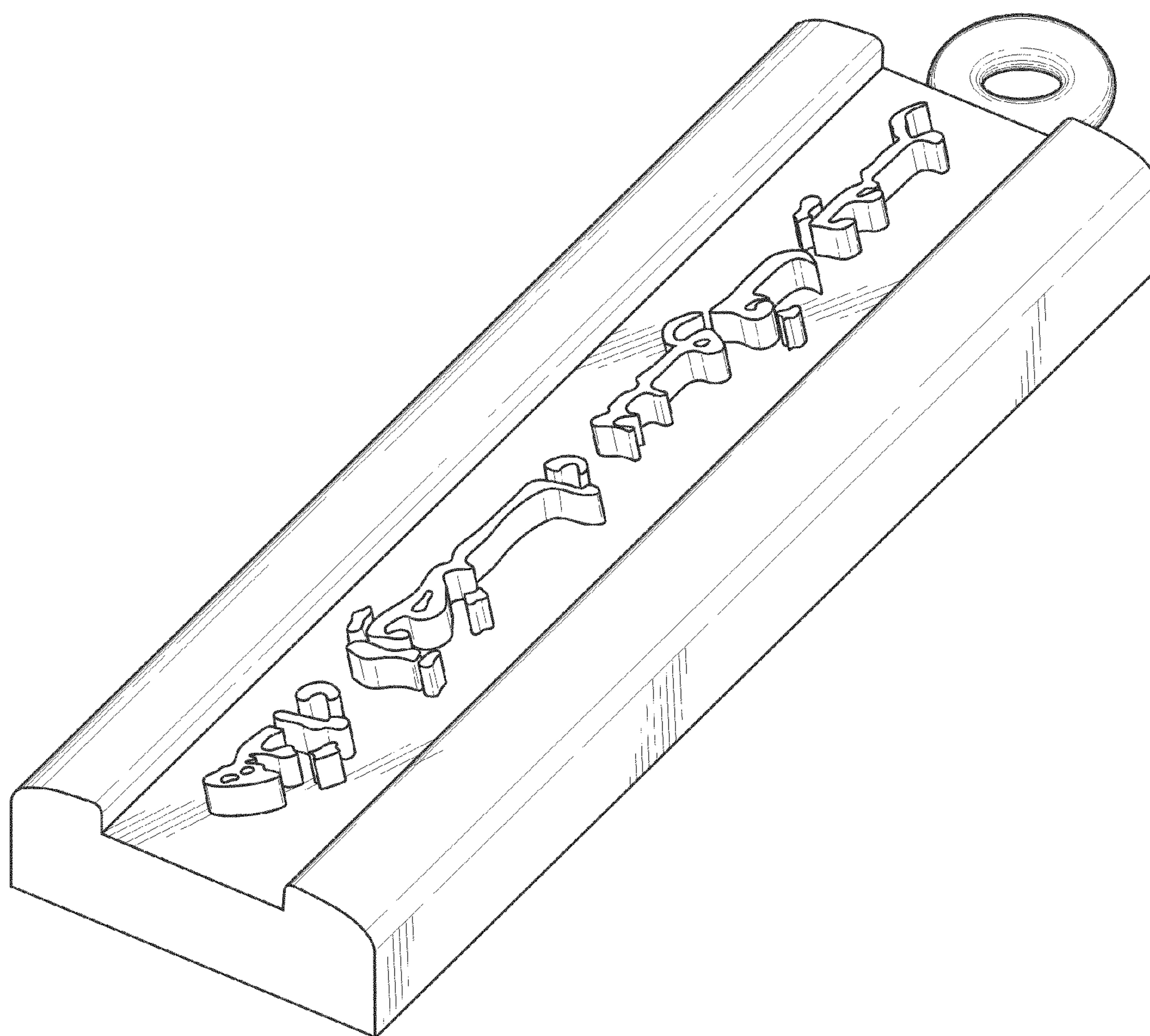
The pendant is shown with an ornamental raised Arabic phrase translating in English to “This, too, will pass” or alternatively to “This, too, shall pass.” The nature and use of the pendant is that of a decorative adornment that can be secured to an object, such as suspending the pendant from a necklace, bracelet, anklet, earring, key ring, zipper pull, brooch, tie pin, or a nail or hook on a wall or ceiling or door.

**1 Claim, 6 Drawing Sheets**

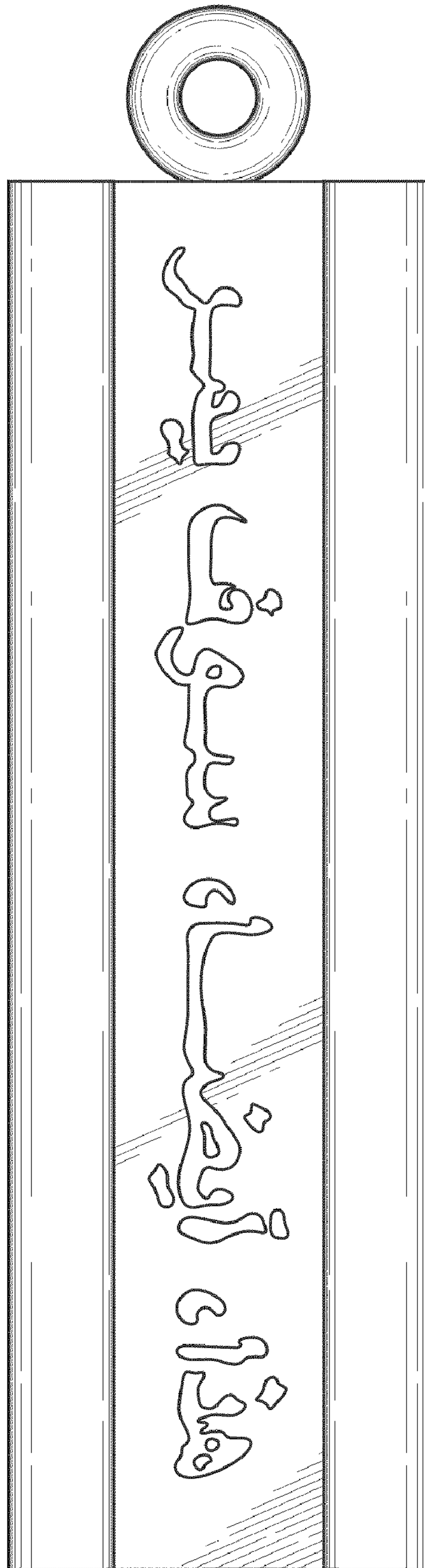




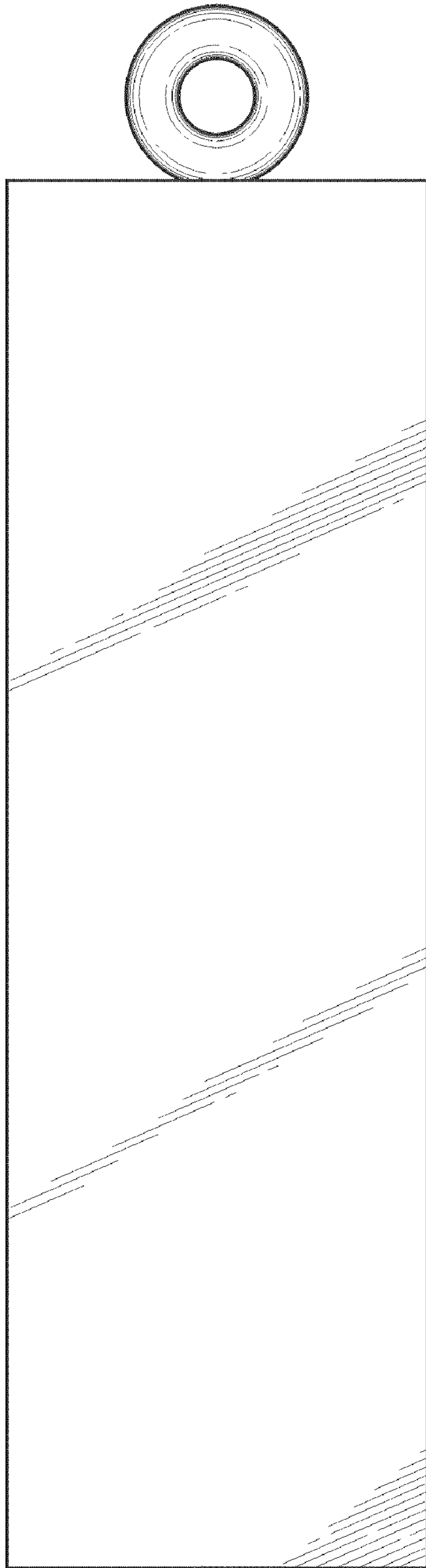
*Fig. 1*



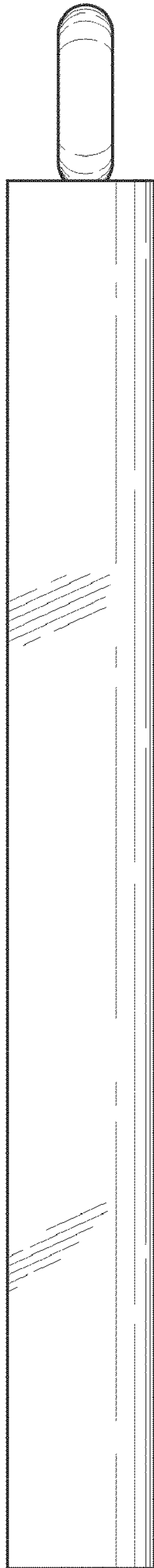
**Fig. 2**



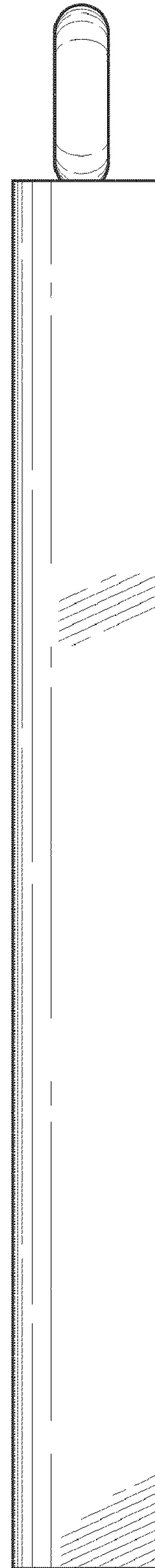
**Fig. 3**



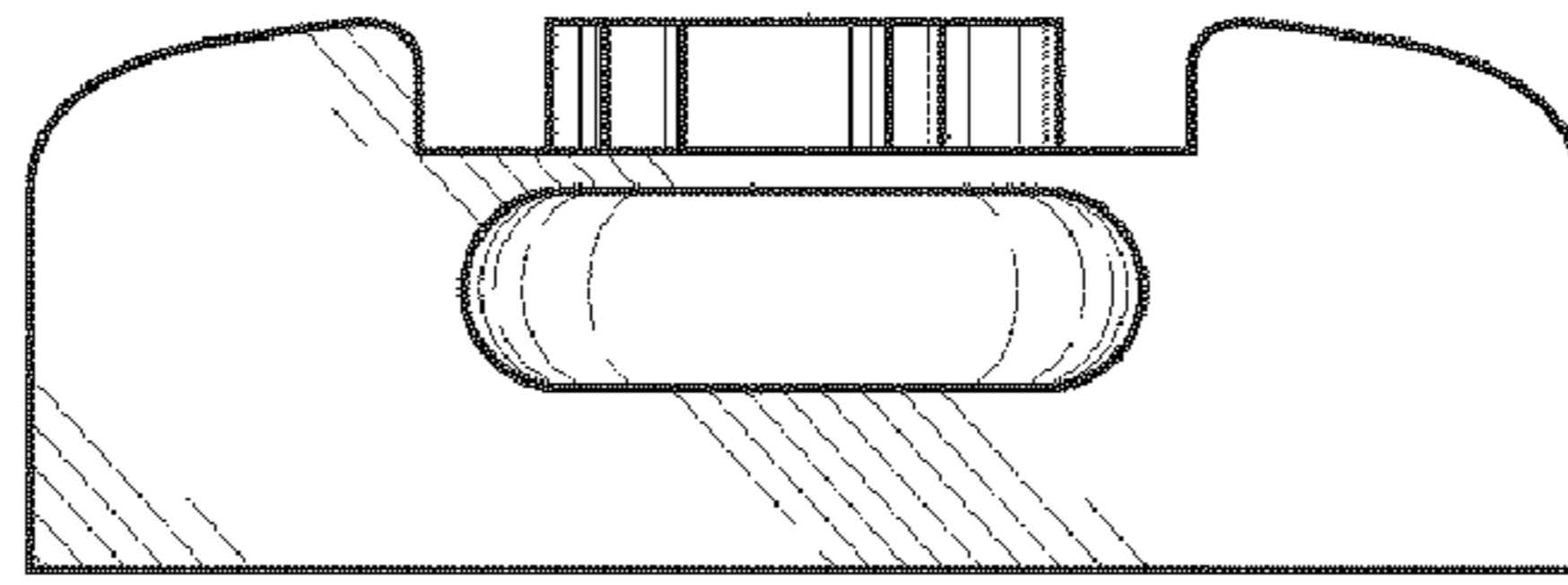
***Fig. 4***



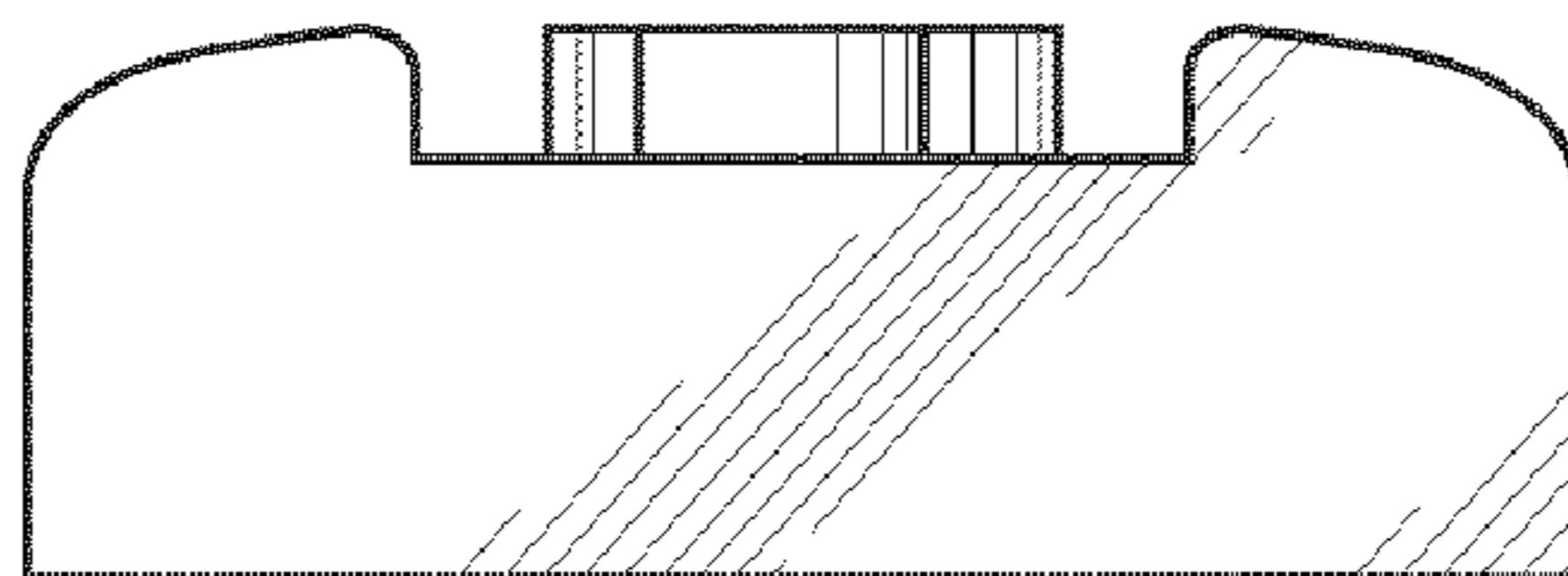
**Fig. 5**



**Fig. 6**



***Fig. 7***



***Fig. 8***