



US00D654384S

(12) **United States Design Patent**
McDonald

(10) **Patent No.:** **US D654,384 S**

(45) **Date of Patent:** **** Feb. 21, 2012**

- (54) **SURVEYING STAKE CAP**
- (76) Inventor: **Curt A. McDonald**, Englewood, FL
(US)
- (**) Term: **14 Years**
- (21) Appl. No.: **29/367,405**
- (22) Filed: **Aug. 6, 2010**
- (51) **LOC (9) Cl.** **10-04**
- (52) **U.S. Cl.** **D10/66; D10/74**
- (58) **Field of Classification Search** D10/66,
D10/70, 74; 33/293; 52/103, 301
See application file for complete search history.

5,291,703	A	3/1994	Ziegler	
5,568,708	A	10/1996	Kassardjian et al.	
5,613,336	A	3/1997	Workman	
5,770,286	A *	6/1998	Sorkin	52/301
5,826,398	A	10/1998	Carnicle	
5,884,443	A	3/1999	Schimmelpfennig et al.	
5,887,394	A	3/1999	Workman	
5,946,871	A	9/1999	Kassardjian et al.	
6,085,478	A	7/2000	Workman	
6,155,762	A	12/2000	Courtin	
6,857,235	B2	2/2005	Niday et al.	
7,025,016	B1	4/2006	Landes	
D531,071	S	10/2006	Truax	
7,252,117	B1	8/2007	Glenn	
7,448,139	B2 *	11/2008	McDonald	52/103
7,472,522	B2	1/2009	Yang	
7,685,961	B2	3/2010	Truax	
2009/0107067	A1	4/2009	Beery	

(56) **References Cited**

U.S. PATENT DOCUMENTS

91,919	A	6/1877	Bonner	
427,394	A	5/1890	Brown	
1,219,454	A	3/1917	Hanson et al.	
1,272,430	A *	7/1918	Hanson et al.	52/103
2,687,788	A	8/1954	Rapp	
3,174,588	A	3/1965	Kessler	
3,250,050	A *	5/1966	Finger et al.	52/301
3,507,081	A	4/1970	Gallup	
3,824,748	A	7/1974	Pichowicz	
3,916,821	A	11/1975	Pies	
4,087,945	A	5/1978	Berntsen et al.	
4,127,972	A	12/1978	Reimoser	
4,185,425	A	1/1980	Merkel	
4,202,378	A	5/1980	Bush et al.	
4,254,597	A	3/1981	Feldman et al.	
4,441,288	A	4/1984	Feldman et al.	
4,502,258	A	3/1985	Rushing	
4,625,473	A	12/1986	Peterson et al.	
D289,859	S *	5/1987	Johnson et al.	D10/66
5,110,246	A	5/1992	Fisher et al.	

FOREIGN PATENT DOCUMENTS

EP	0128575	12/1984
WO	WO2009067783	6/2009

* cited by examiner

Primary Examiner — Antoine D Davis
(74) *Attorney, Agent, or Firm* — Dickinson Wright, PLLC;
Harold W. Milton, Jr.

(57) **CLAIM**

The ornamental design for the surveying stake cap, as shown and described.

DESCRIPTION

FIG. 1 is a perspective view of the cap design;
FIG. 2 is a top view of the cap design in FIG. 1;
FIG. 3 is a side view of the cap design in FIG. 1; and,
FIG. 4 is a bottom view of the cap design in FIG. 1.

1 Claim, 2 Drawing Sheets

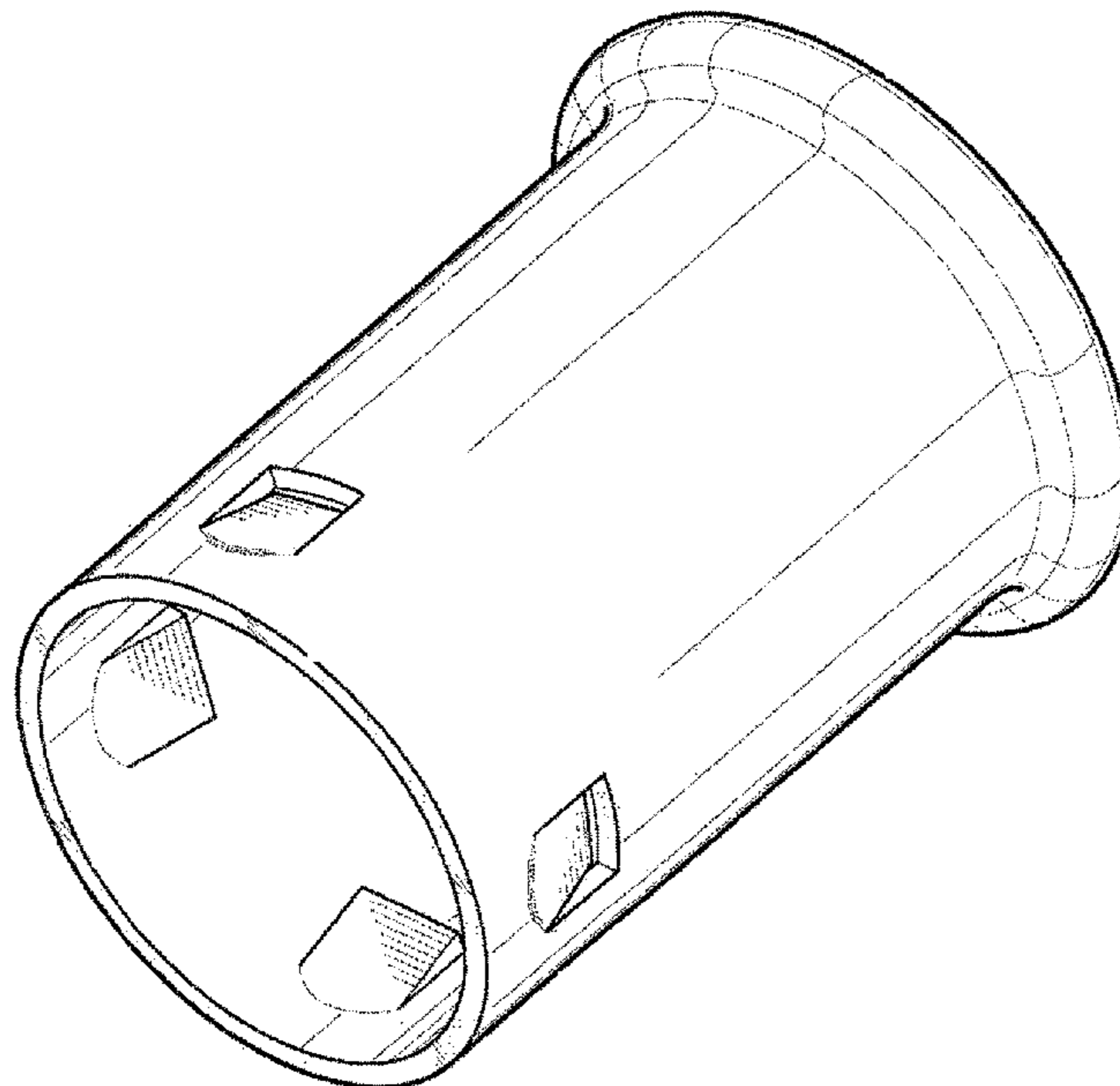


FIG. 1

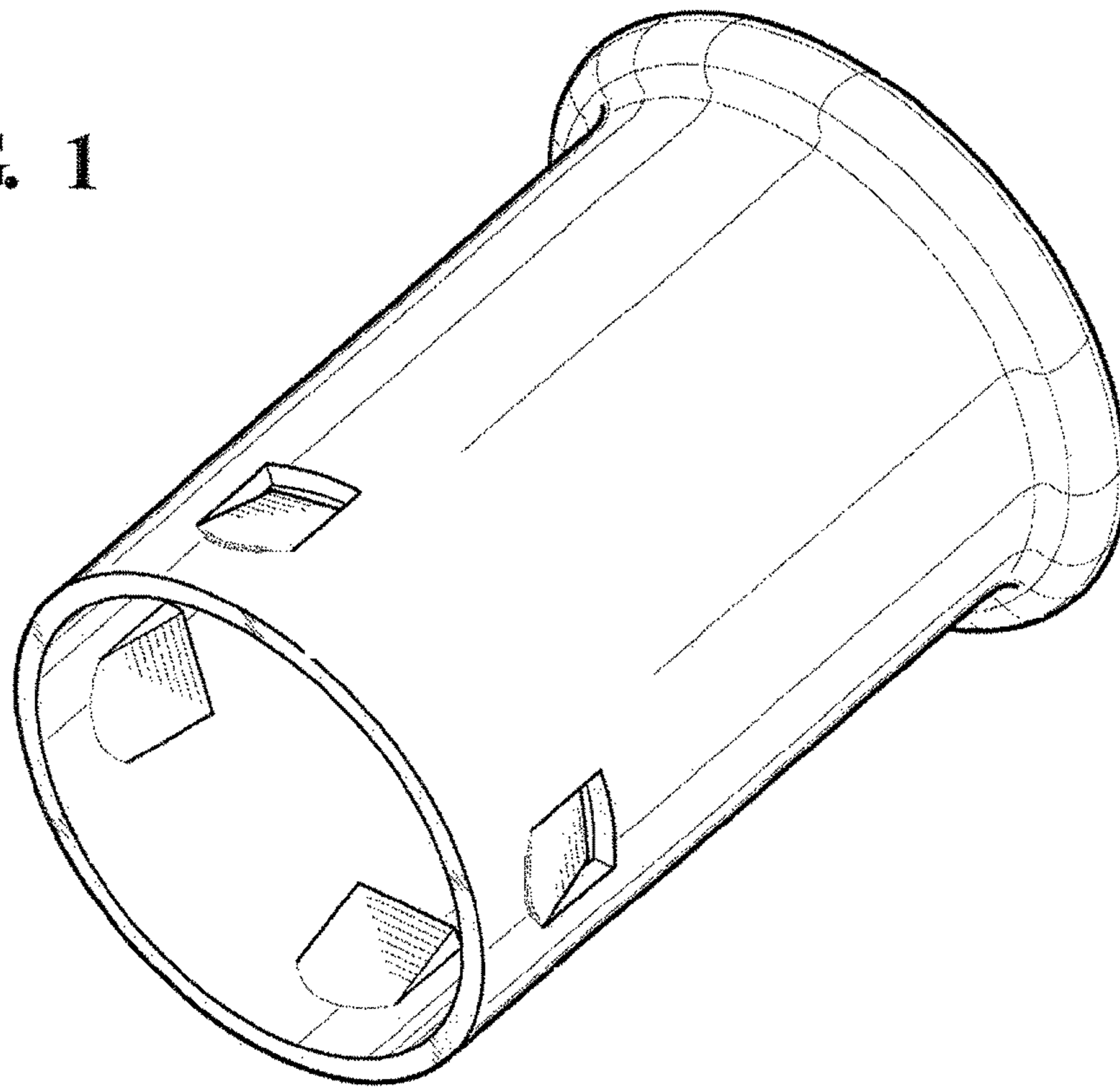


FIG. 2

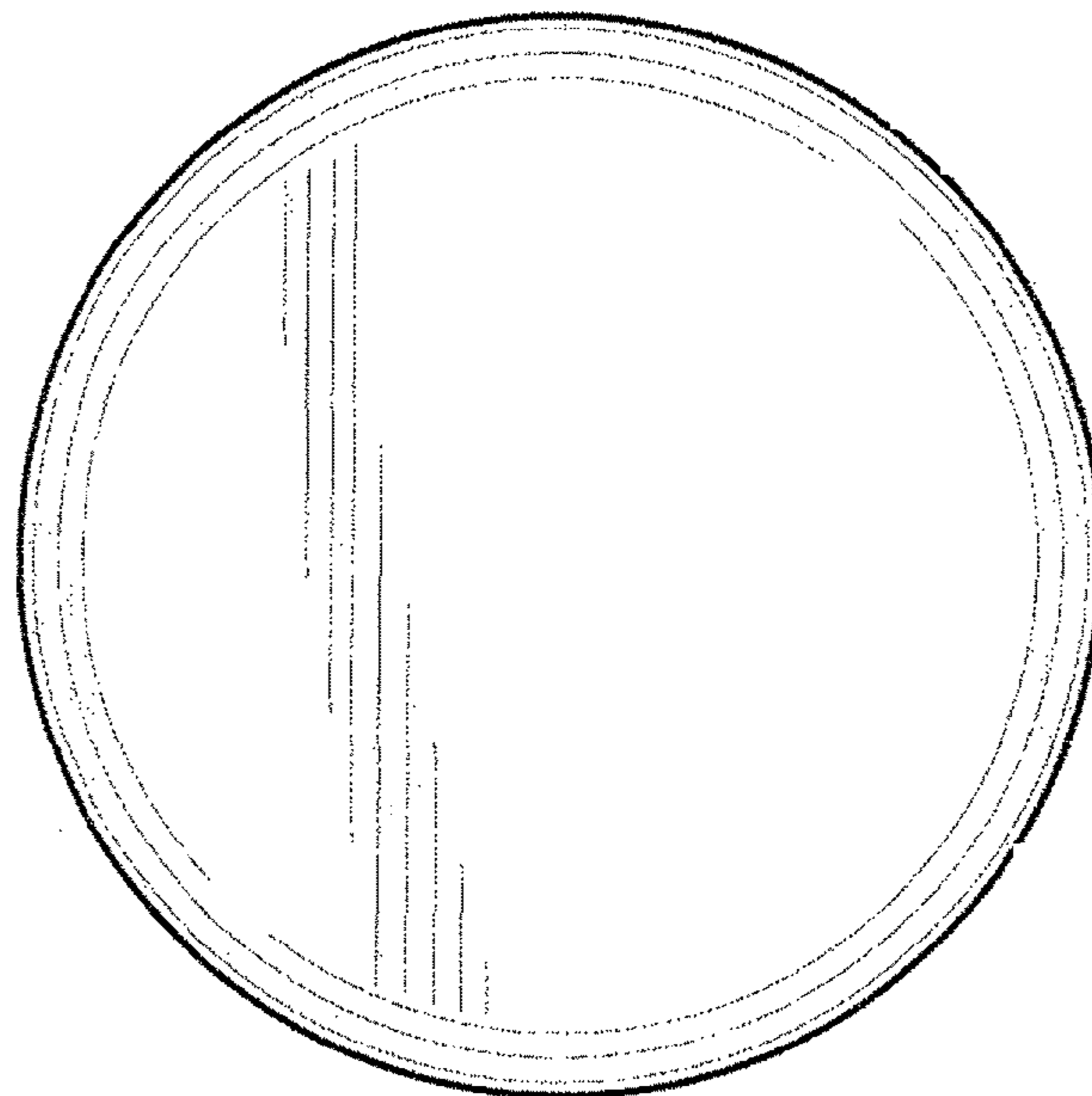


FIG. 3

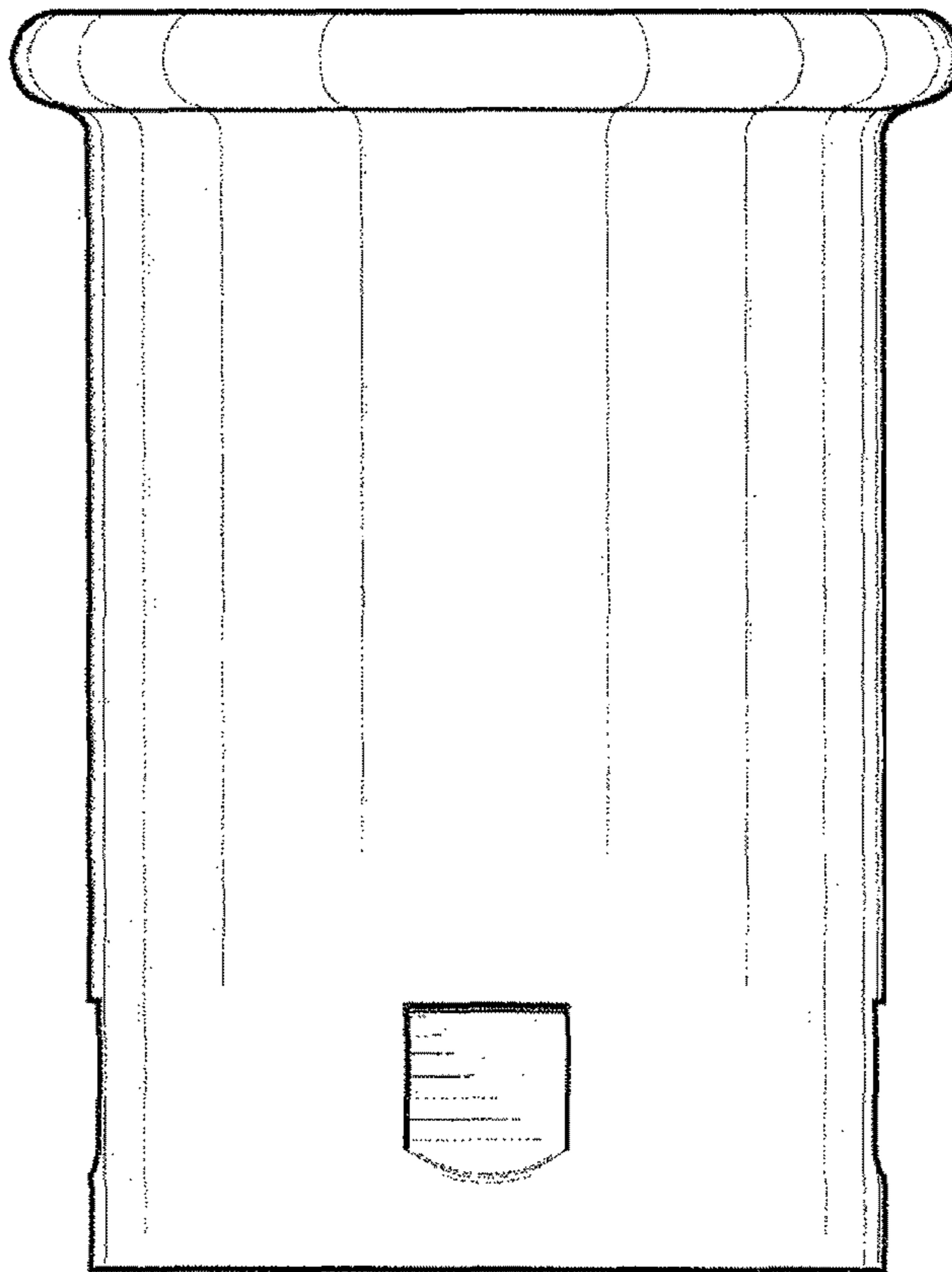


FIG. 4

