



US00D654382S

(12) **United States Design Patent**
Barr et al.

(10) **Patent No.:** **US D654,382 S**

(45) **Date of Patent:** **** Feb. 21, 2012**

(54) **ATHLETIC GAME TIMER**

(75) Inventors: **David Barr**, Northbrook, IL (US);
Steven Schoenberg, Northbrook, IL
(US); **Trevis Kurz**, Chicago, IL (US);
Jeff Mathison, Chicago, IL (US); **Mark
Eyman**, Chicago, IL (US); **Michael
Prince**, Chicago, IL (US)

(73) Assignee: **Mississippi Blitz LLC**, Northbrook, IL
(US)

(**) Term: **14 Years**

(21) Appl. No.: **29/396,940**

(22) Filed: **Jul. 8, 2011**

(51) **LOC (9) Cl.** **10-03**

(52) **U.S. Cl.** **D10/40; D21/716**

(58) **Field of Classification Search** D10/40,
D10/41, 2, 6; D21/716, 717; 473/420, 387,
473/415

See application file for complete search history.

(56) **References Cited**

U.S. PATENT DOCUMENTS

D150,195 S *	7/1948	Barton	D21/716
D195,088 S *	4/1963	Box	D21/716
D202,433 S *	9/1965	Cullity	D21/716
3,309,087 A *	3/1967	Cullity	473/420
3,481,602 A *	12/1969	Tatter	473/420
D231,002 S *	3/1974	Ponder	D21/716
4,019,735 A *	4/1977	Thompson	473/420
4,254,955 A *	3/1981	Dundon et al.	273/148 R
4,279,169 A *	7/1981	Hancovsky	74/3.54
D261,789 S	11/1981	Allen		
D266,015 S	8/1982	Patton		
D269,890 S	7/1983	Stenerud		
4,418,910 A *	12/1983	Stenerud	473/420
D275,303 S	8/1984	Box, Sr.		
D277,973 S	3/1985	Stenerud		
4,534,557 A *	8/1985	Bigelow et al.	473/442

4,627,620 A *	12/1986	Yang	273/446
4,998,727 A *	3/1991	Person	473/438
5,100,135 A *	3/1992	Bourgeois	473/420
5,130,955 A *	7/1992	Luerker et al.	368/3
5,294,111 A *	3/1994	Bloch	473/415
5,368,294 A *	11/1994	Mathey	473/419

(Continued)

OTHER PUBLICATIONS

Barr, David et al., Football Rush Timer, Game Time and Scorekeeping Apparatus, copending U.S. Appl. No. 61/481,535, filed May 2, 2011.

Primary Examiner — Lucy Lieberman

(74) *Attorney, Agent, or Firm* — Patzik, Frank & Samotny Ltd

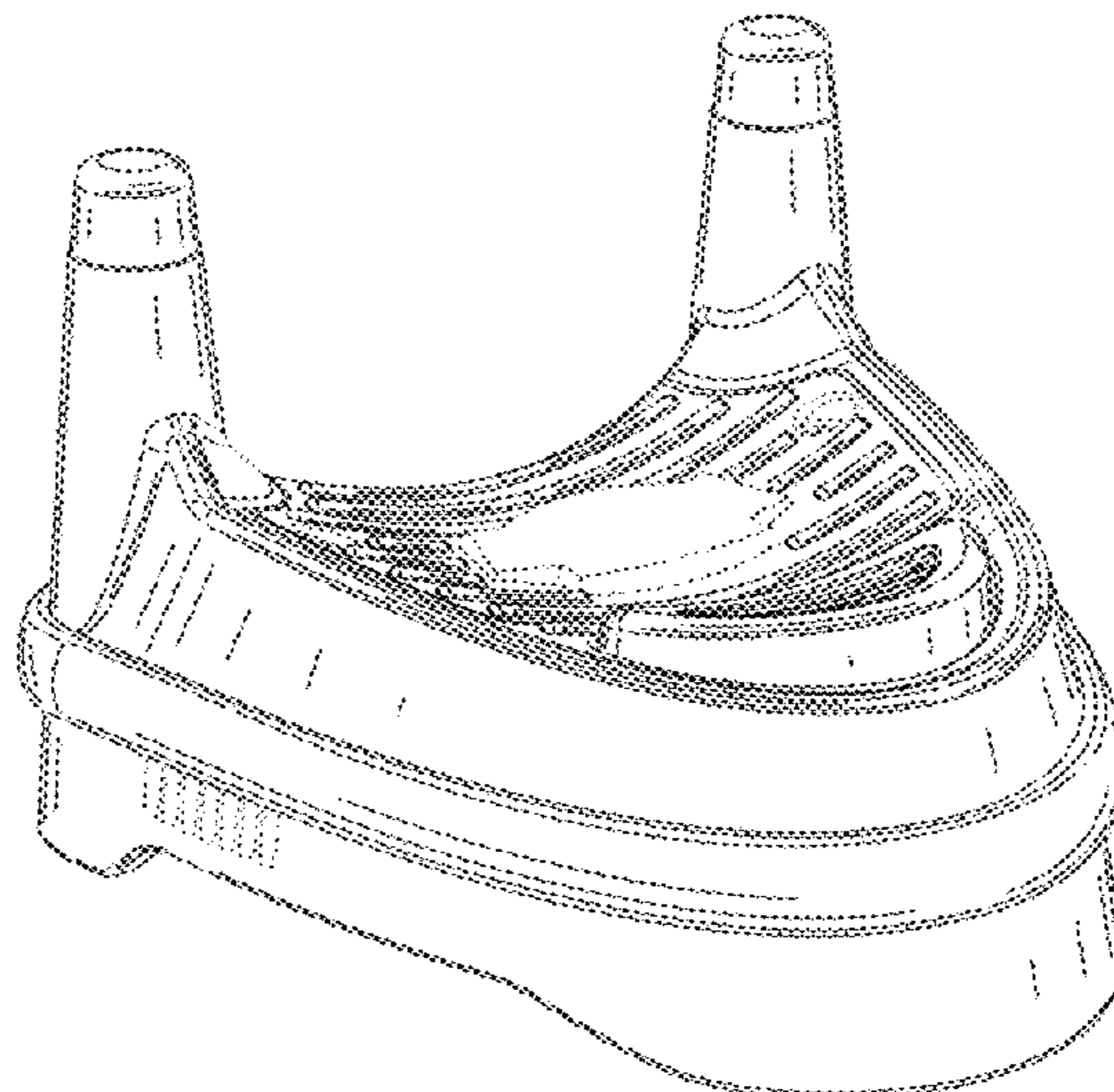
(57) **CLAIM**

The ornamental design for an athletic game timer, as shown and described.

DESCRIPTION

FIG. 1 is a top perspective view of the athletic game timer of the present invention;
FIG. 2 is a bottom perspective view of the athletic game timer of the present invention;
FIG. 3 is a front elevation view of the athletic game timer of the present invention;
FIG. 4 is a rear elevation view of the athletic game timer of the present invention;
FIG. 5 is a top plan view of the athletic game timer of the present invention;
FIG. 6 is a bottom plan view of the athletic game timer of the present invention; and,
FIG. 7 is a left side elevation view of the athletic game timer of the present invention, the right side elevation view being a mirror image thereof.
The portions of the drawing shown in broken lines form no part of the design sought to be patented.

1 Claim, 7 Drawing Sheets



US D654,382 S

Page 2

U.S. PATENT DOCUMENTS

D378,065 S *	2/1997	Levy	D10/40	D507,814 S	7/2005	Spiegel	
D391,275 S	2/1998	Spiegel		D509,450 S *	9/2005	Bhavnani	D10/40
D420,601 S *	2/2000	Percy	D10/40	D513,775 S	1/2006	Spiegel	
6,375,584 B1 *	4/2002	Shapiro	473/419	D579,994 S *	11/2008	Lowinger	D21/716
6,424,598 B1 *	7/2002	Shultz	368/3	D588,476 S *	3/2009	Wehrly	D10/40
D507,315 S	7/2005	Spiegel					

* cited by examiner

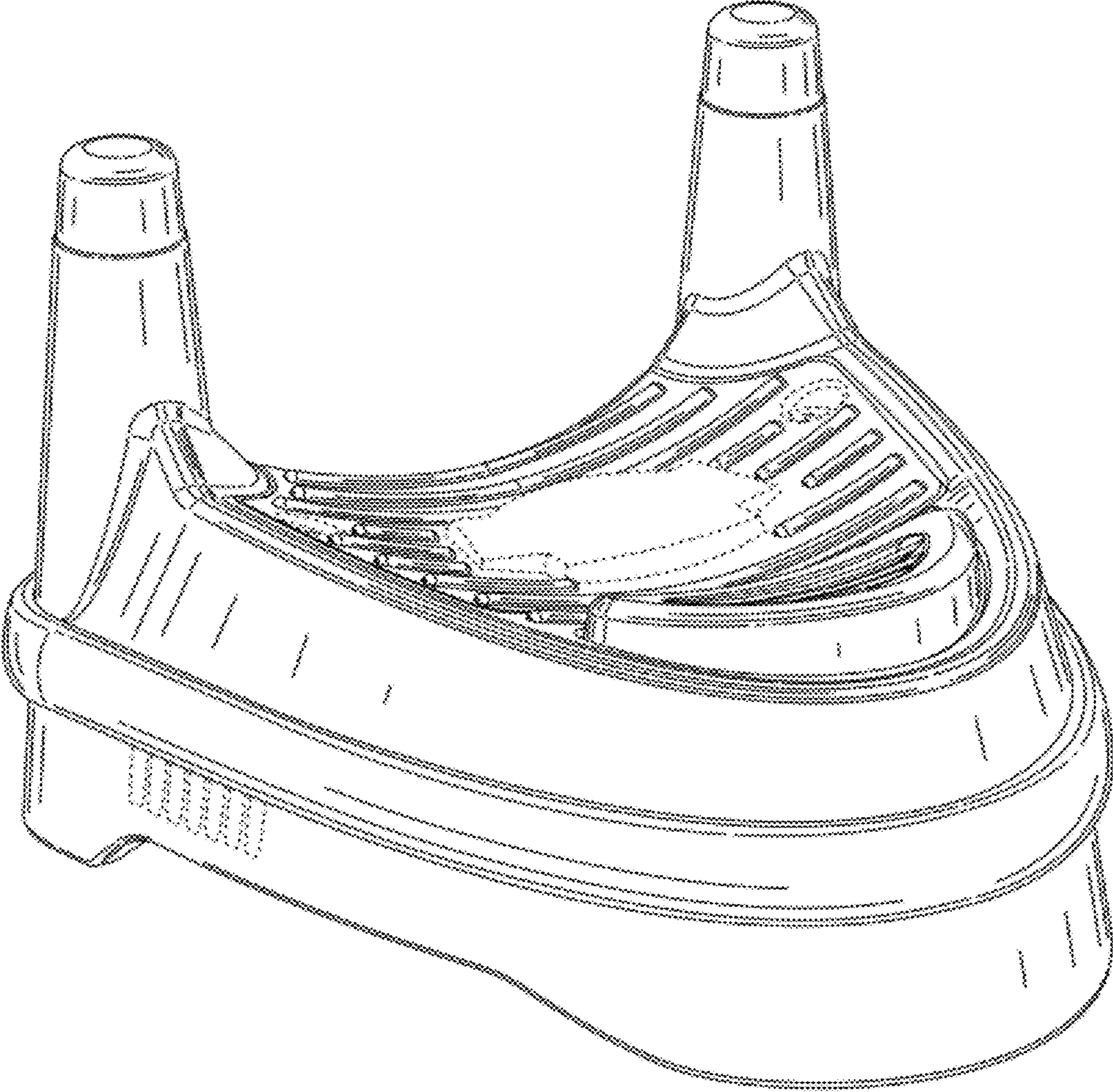


FIG. 1

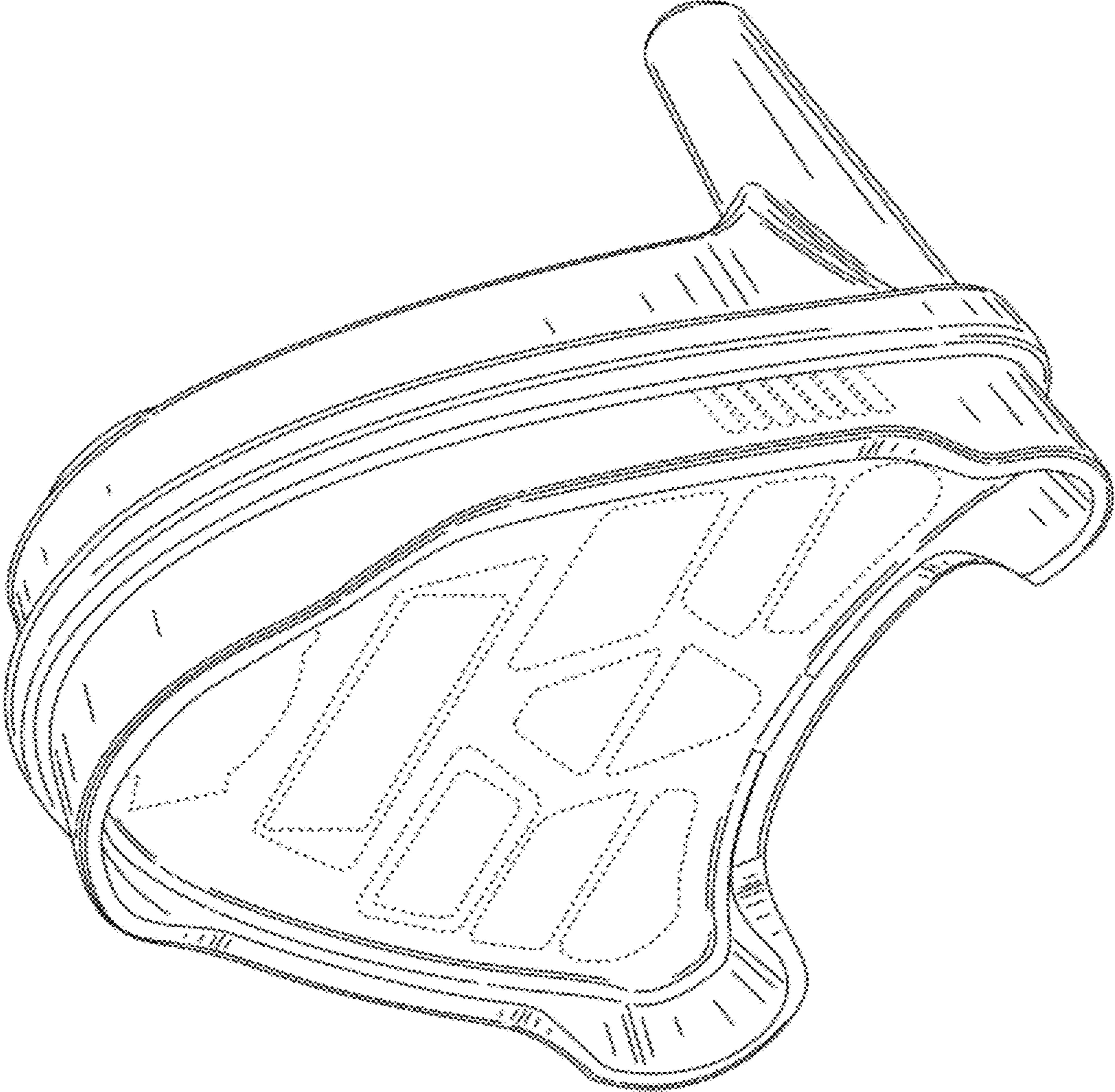


FIG. 2

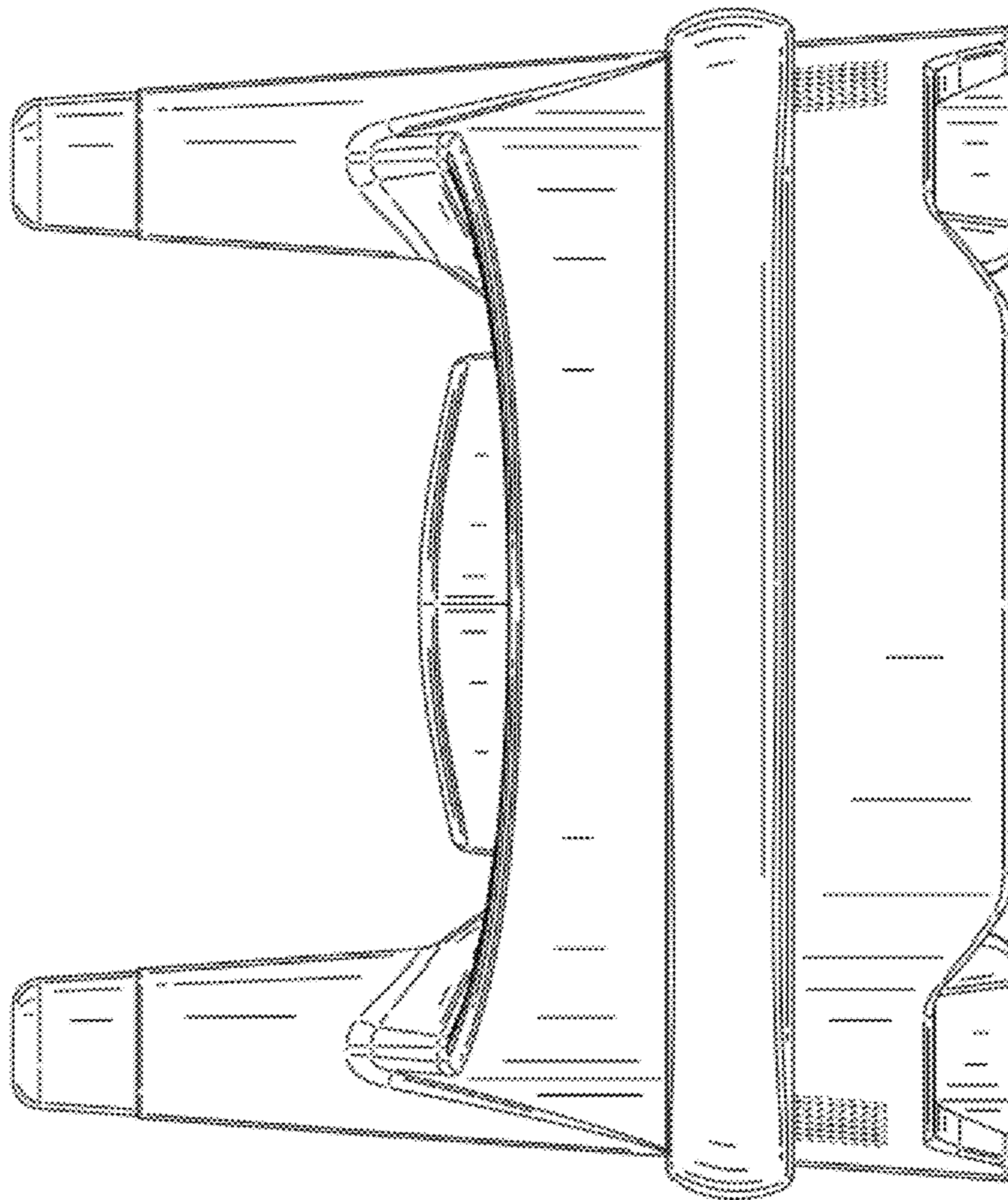


FIG. 3

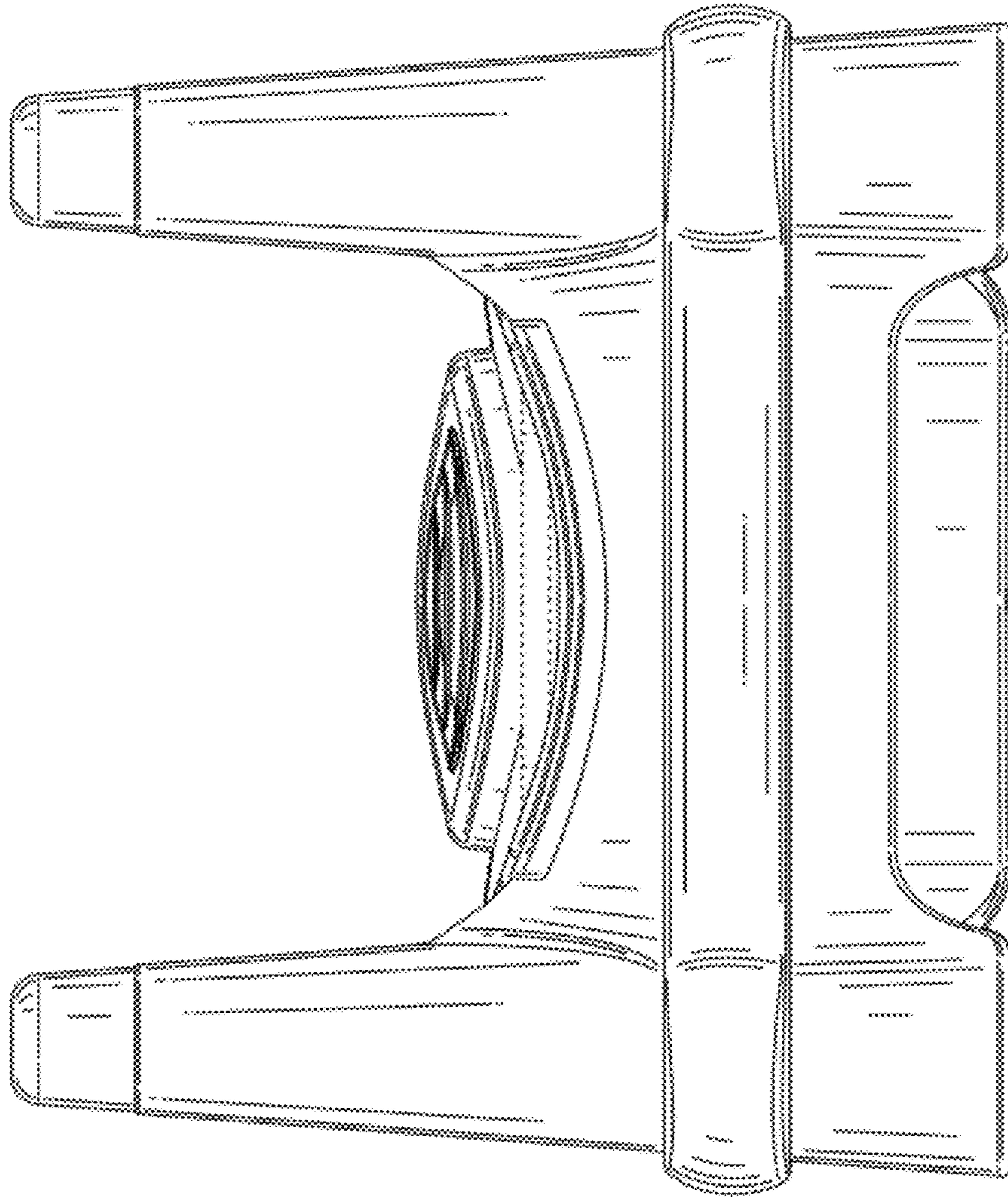


FIG. 4

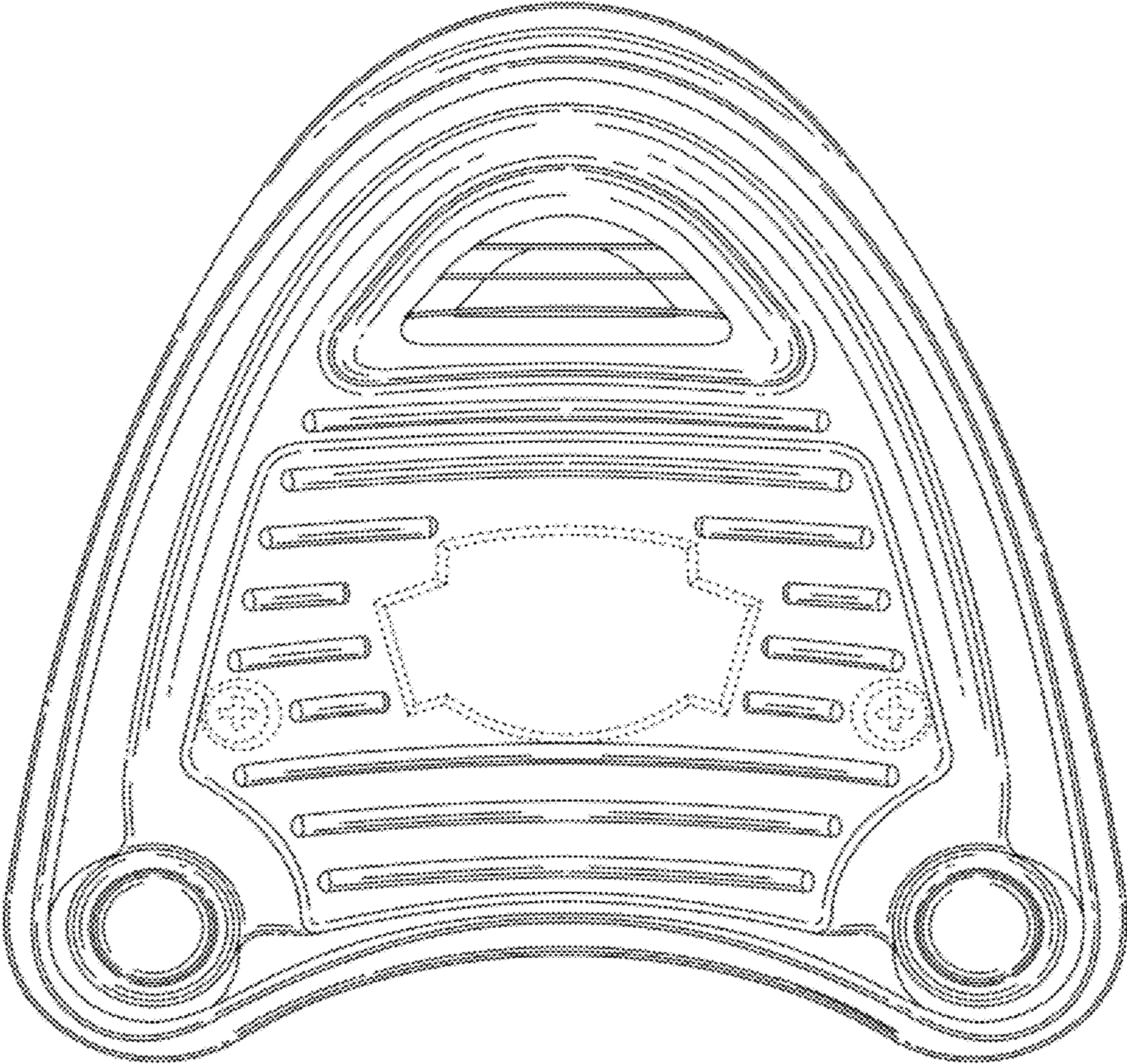


FIG. 5

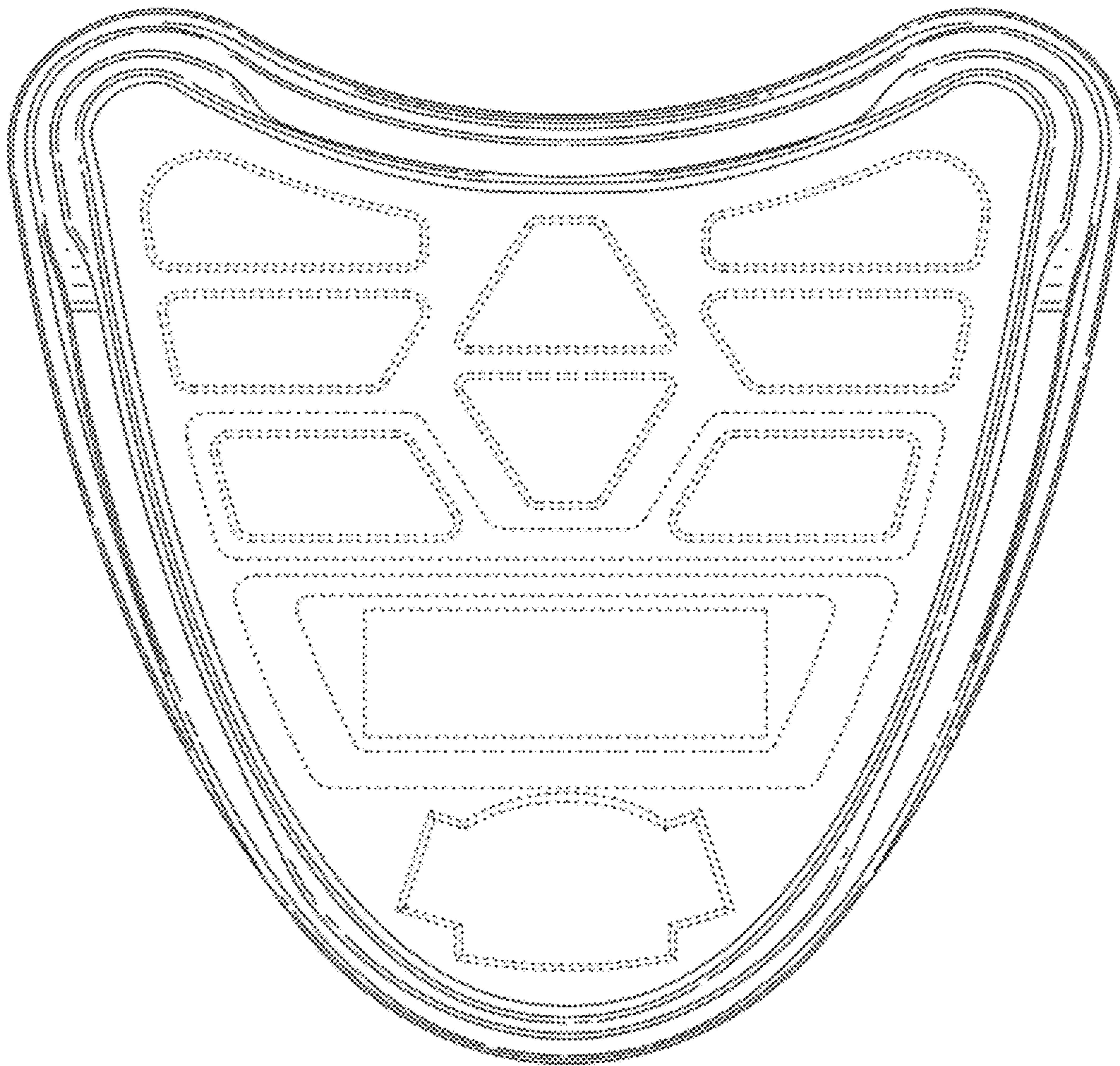


FIG. 6

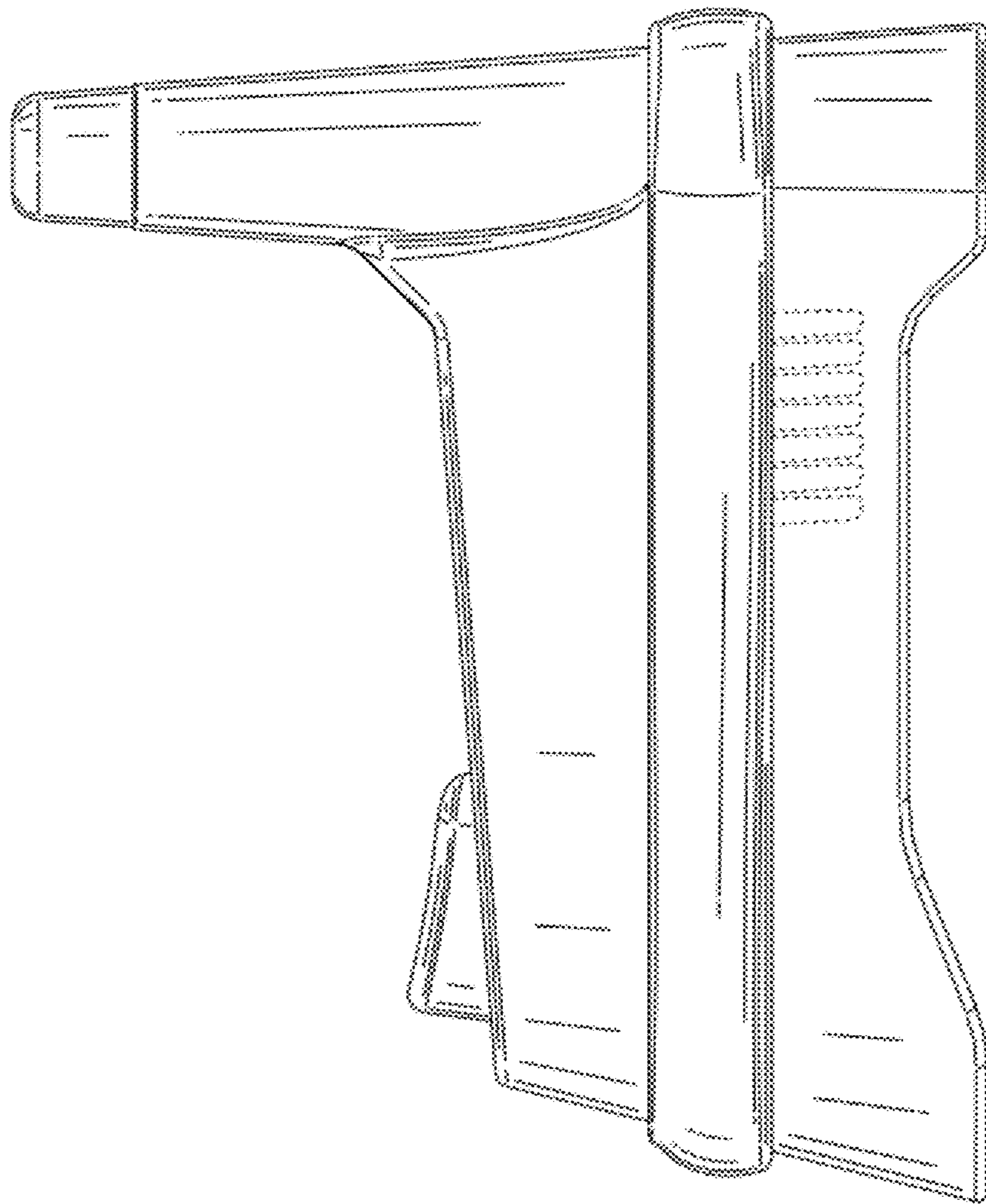


FIG. 7