



US00D654369S

(12) **United States Design Patent**
Del Cerro et al.

(10) **Patent No.:** **US D654,369 S**

(45) **Date of Patent:** **** Feb. 21, 2012**

(54) **PERFUME BOTTLE**

(75) Inventors: **Oscar Del Cerro**, Barcelona (ES);
Fanny La Bonniec, Barcelona (ES)

(73) Assignee: **Salvatore Ferragamo S.p.A.**, Florence
(IT)

(**) Term: **14 Years**

(21) Appl. No.: **29/397,224**

(22) Filed: **Jul. 13, 2011**

(30) **Foreign Application Priority Data**

Mar. 10, 2011 (WO) DM/075 579

(51) **LOC (9) Cl.** **09-01**

(52) **U.S. Cl.** **D9/635; D9/432**

(58) **Field of Classification Search** D6/518;
D9/600, 634, 723, 730, 734, 414, 430-433;
206/518, 457, 527

See application file for complete search history.

(56) **References Cited**

U.S. PATENT DOCUMENTS

D118,501 S *	1/1940	McIntosh	D9/635
5,004,144 A *	4/1991	Selga	206/457
D339,389 S *	9/1993	Peppin	D9/423
D374,398 S *	10/1996	Larson	D9/635
D464,261 S *	10/2002	Hereth	D9/432
D549,590 S *	8/2007	Mauerhan et al.	D9/635

* cited by examiner

Primary Examiner — Sandra Morris

(74) *Attorney, Agent, or Firm* — Lucas & Mercanti, LLP

(57) **CLAIM**

The ornamental design for a perfume bottle, as shown and described.

DESCRIPTION

FIG. 1 is a perspective view of a perfume bottle showing our new design;

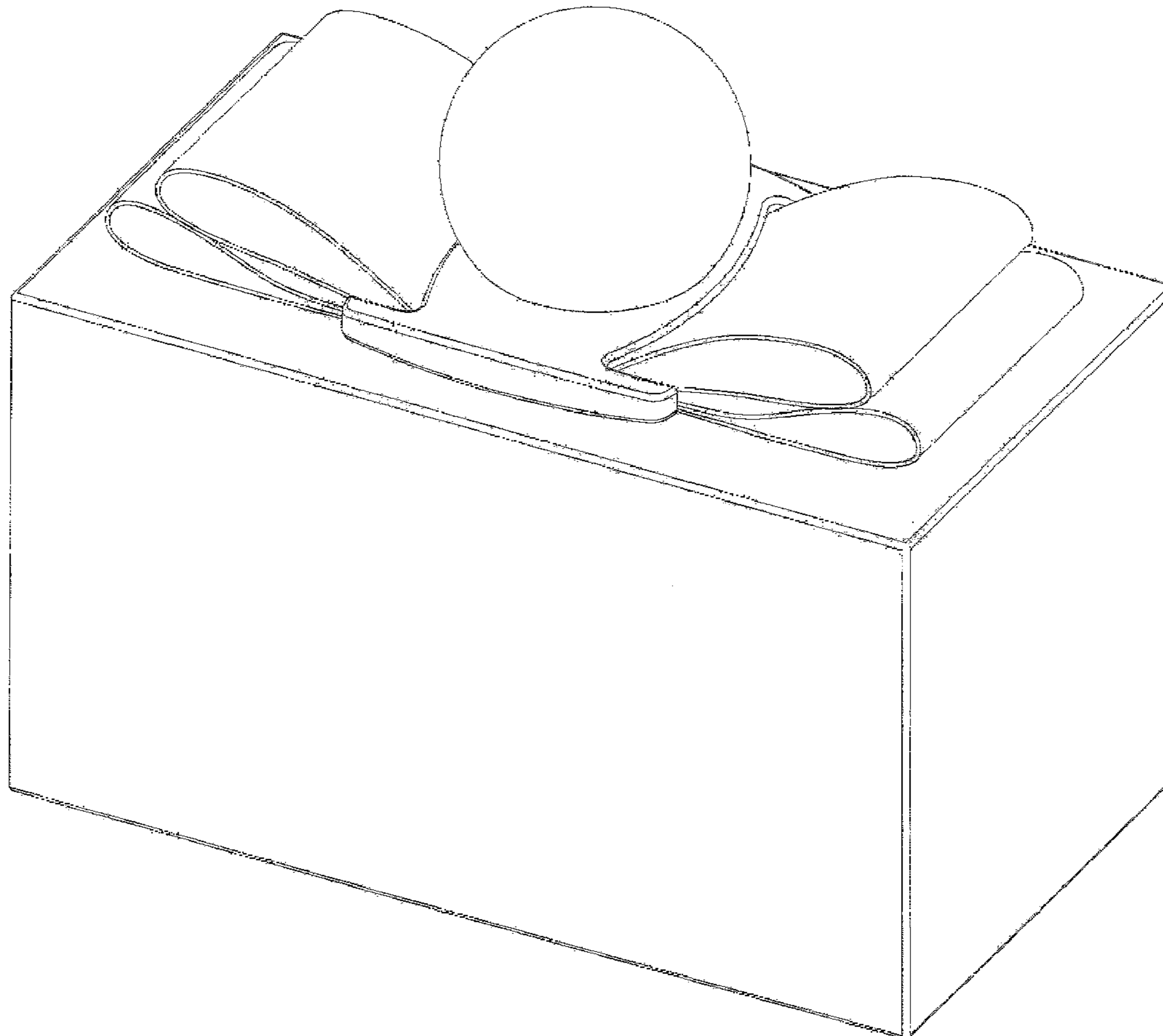
FIG. 2 is a side view of the perfume bottle, the opposite side view being identical;

FIG. 3 is a front view of the perfume bottle, the back view being identical;

FIG. 4 is a top view of the perfume bottle; and,

FIG. 5 is a bottom view of the perfume bottle.

1 Claim, 5 Drawing Sheets



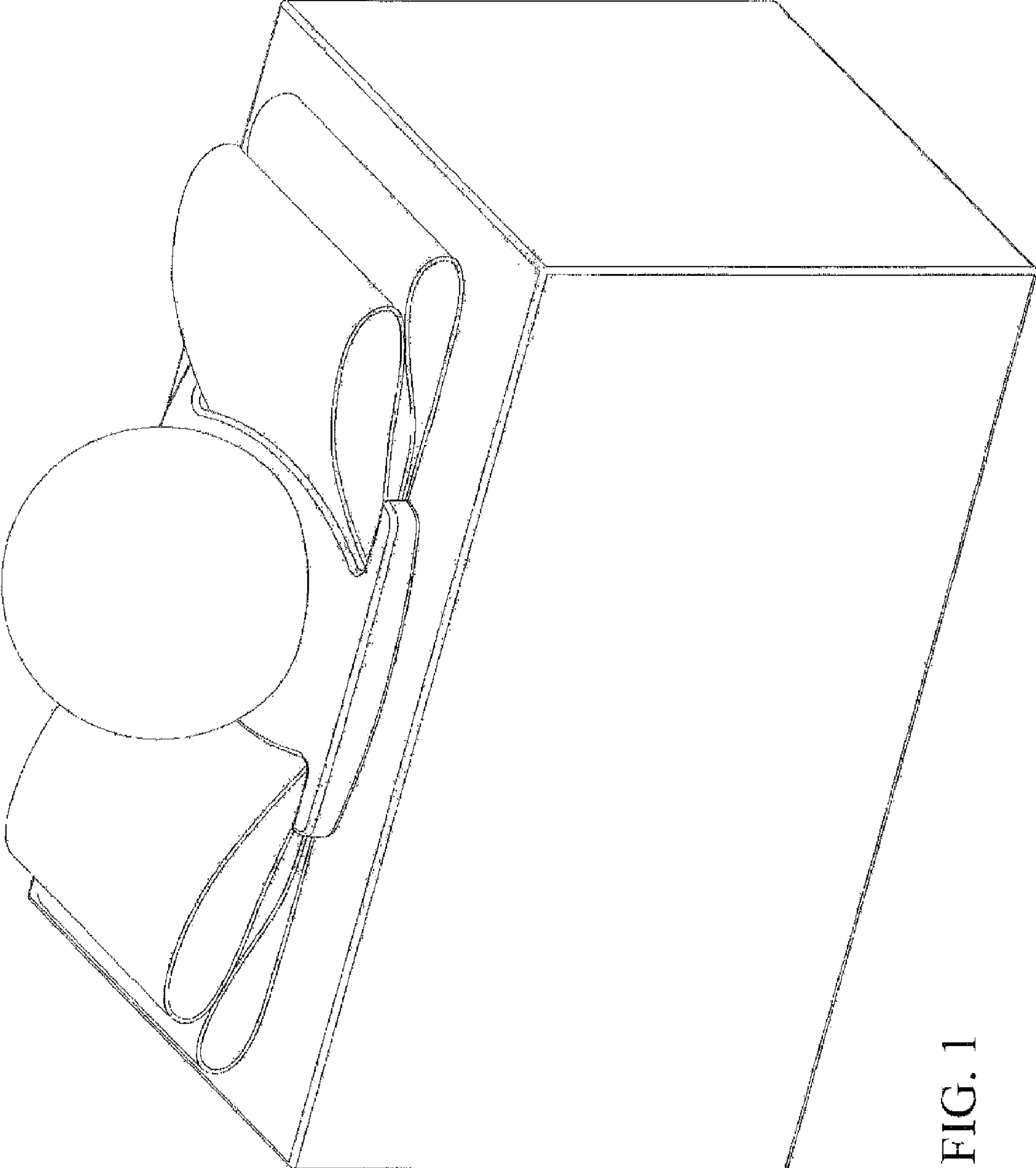


FIG. 1

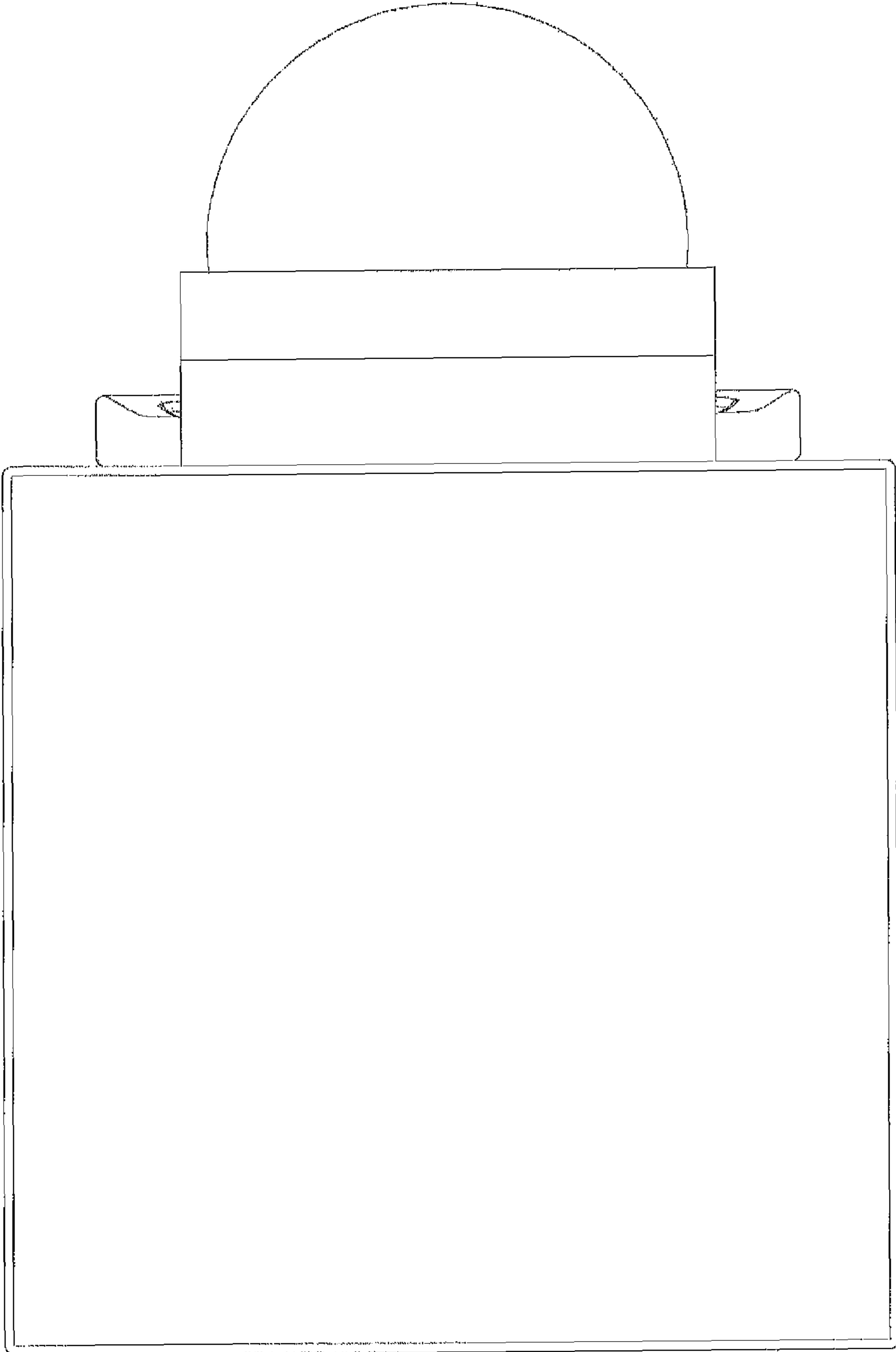
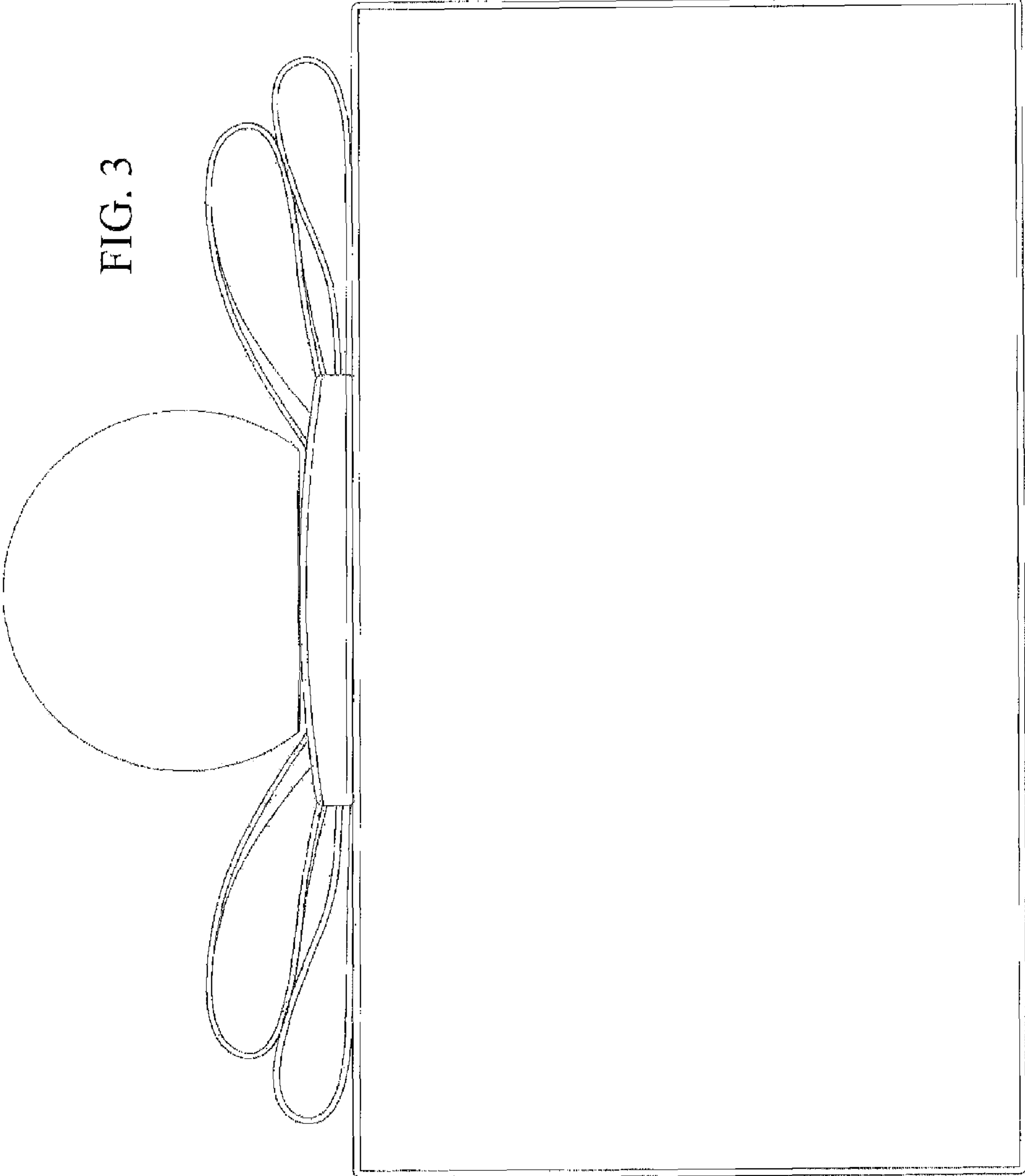


FIG. 2

FIG. 3



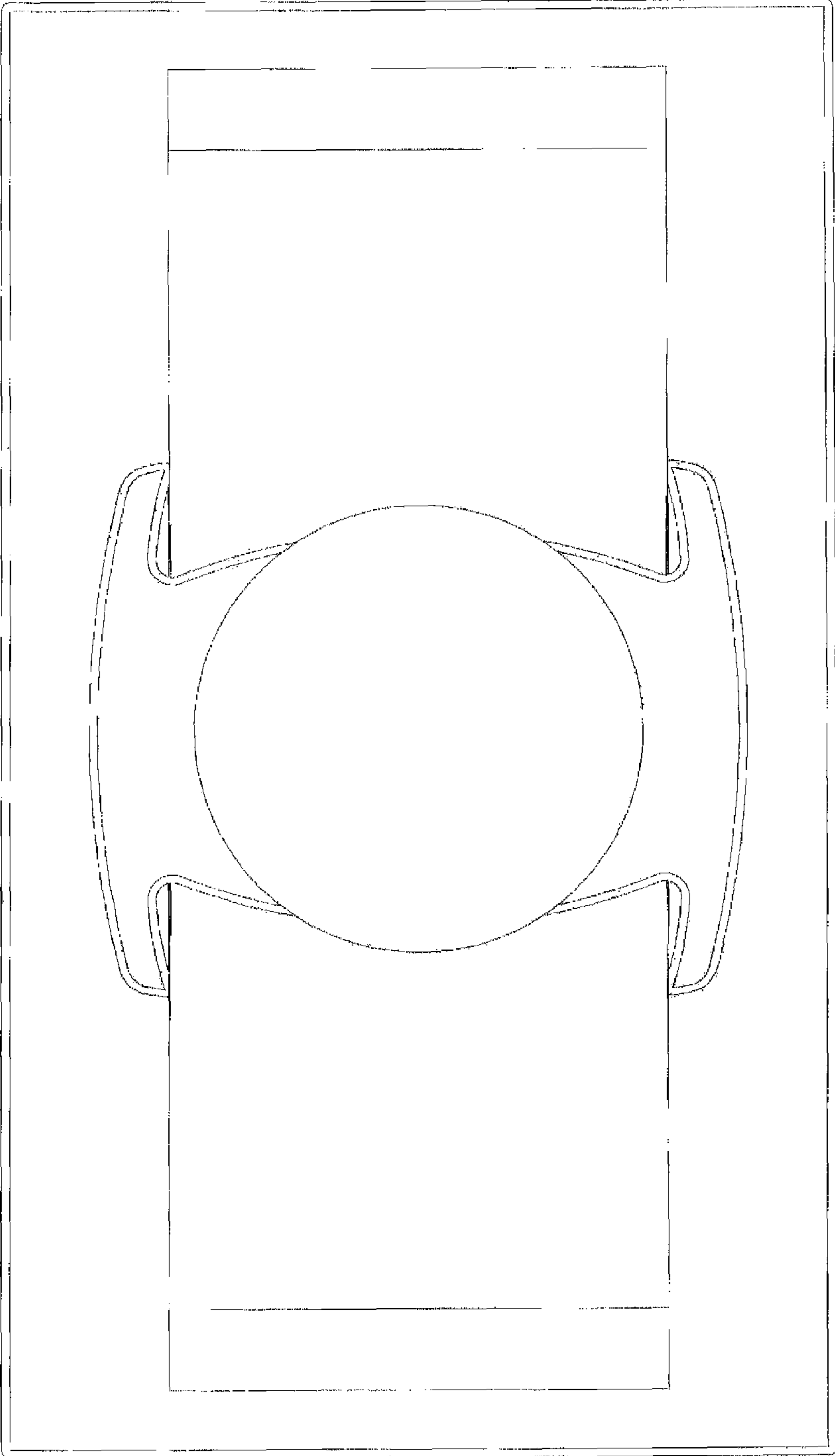


FIG. 4

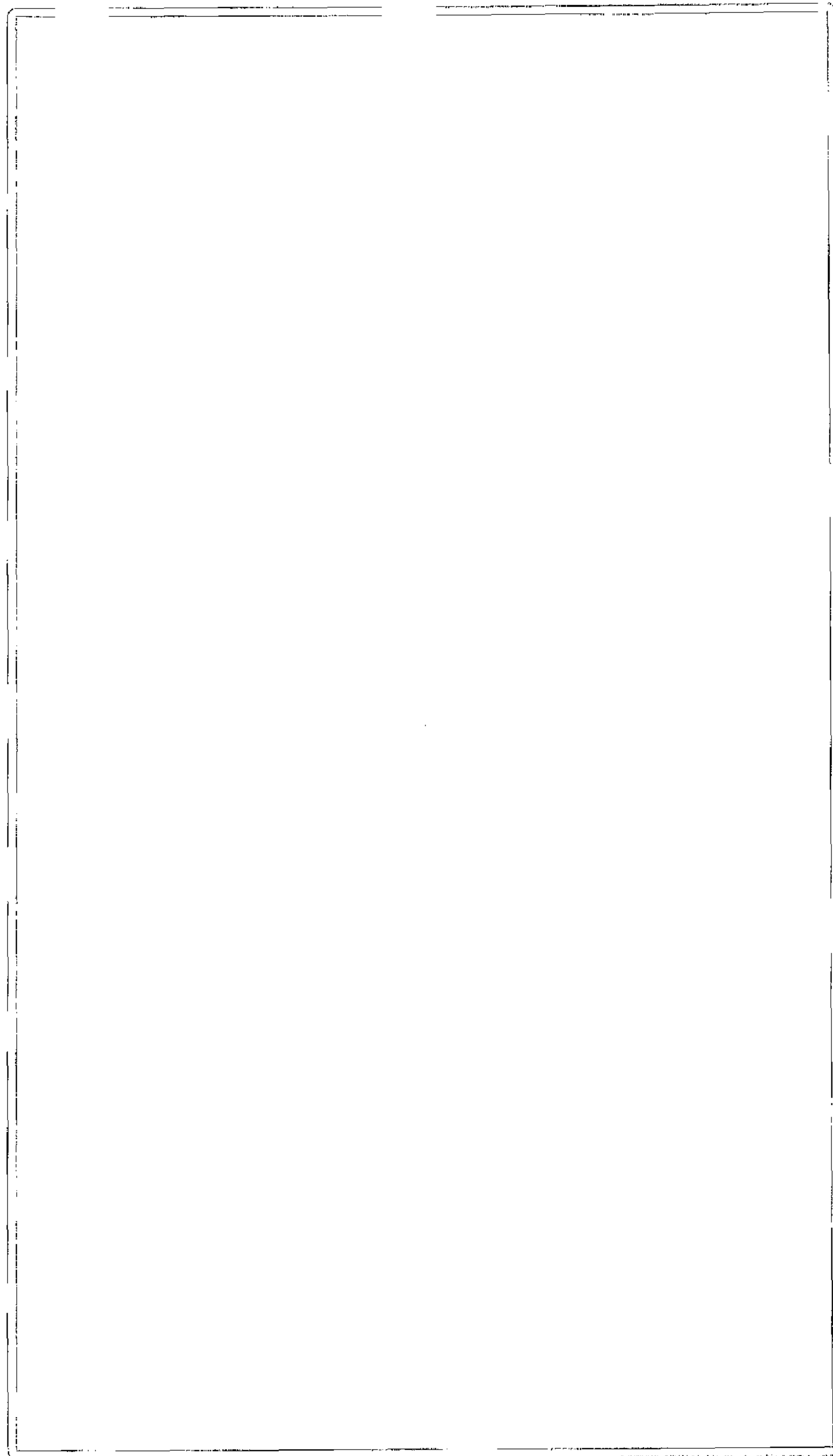


FIG. 5