



US00D654366S

(12) **United States Design Patent**  
**Presche et al.**

(10) **Patent No.:** **US D654,366 S**

(45) **Date of Patent:** **\*\* Feb. 21, 2012**

(54) **PACKAGING CASING**

(75) Inventors: **Martin Presche**, Dinklage (DE);  
**Heinrich Deters**, Lohne (DE)

(73) Assignee: **Roche Diagnostics Operations, Inc.**,  
Indianapolis, IN (US)

(\*\*) Term: **14 Years**

(21) Appl. No.: **29/380,298**

(22) Filed: **Dec. 2, 2010**

(30) **Foreign Application Priority Data**

Jun. 2, 2010 (EM) ..... 001217608

(51) **LOC (9) Cl.** ..... **09-01**

(52) **U.S. Cl.** ..... **D9/529**

(58) **Field of Classification Search** ..... D9/414,  
D9/425, 428, 429, 454, 500, 502-504, 506,  
D9/516, 529, 549-550, 558, 574-575, 563,  
D9/772, 779-780, 434, 773; D24/224, 197,  
D24/199; 215/379, 382-384; 220/660, 669,  
220/675

See application file for complete search history.

(56) **References Cited**

**U.S. PATENT DOCUMENTS**

2,485,161 A \* 10/1949 Pampinella et al. .... 132/316  
3,129,692 A \* 4/1964 Sanderson ..... 119/6.7  
D278,751 S \* 5/1985 Seager ..... D28/76  
D280,292 S \* 8/1985 Beechuk et al. .... D9/500  
4,615,442 A \* 10/1986 Beeken ..... 206/397

5,672,321 A \* 9/1997 Daykin ..... 422/557  
D415,962 S \* 11/1999 Garcia ..... D9/453  
6,299,033 B1 \* 10/2001 VerWeyst et al. .... 222/480  
D548,082 S \* 8/2007 Kingsley ..... D9/500  
D565,412 S \* 4/2008 Fuller ..... D9/503  
D574,240 S \* 8/2008 Szczesniak ..... D9/453

\* cited by examiner

*Primary Examiner* — Ian Simmons

*Assistant Examiner* — Dana L Sipos

(74) *Attorney, Agent, or Firm* — Rothwell, Figg, Ernst &  
Manbeck, pc

(57) **CLAIM**

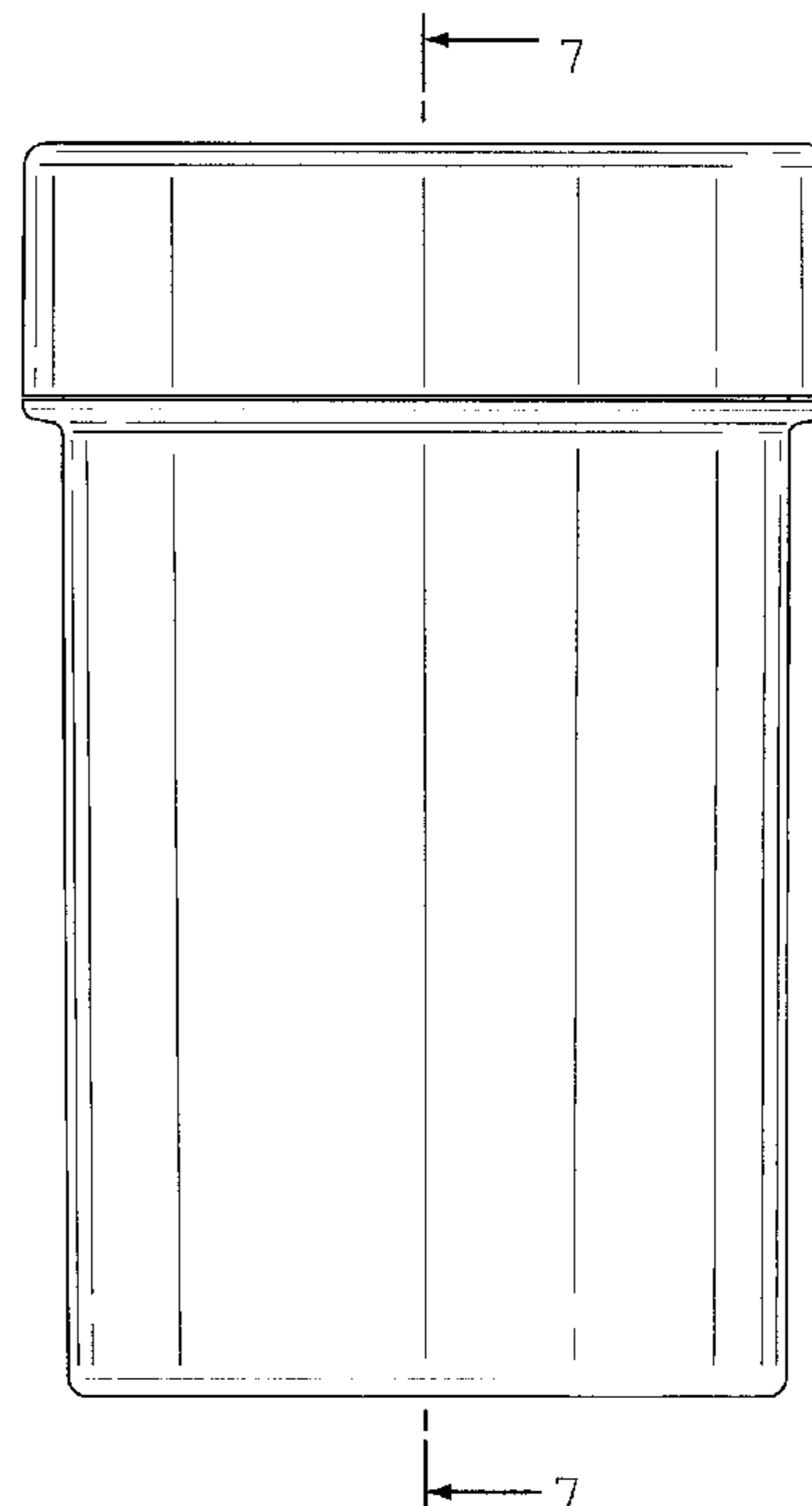
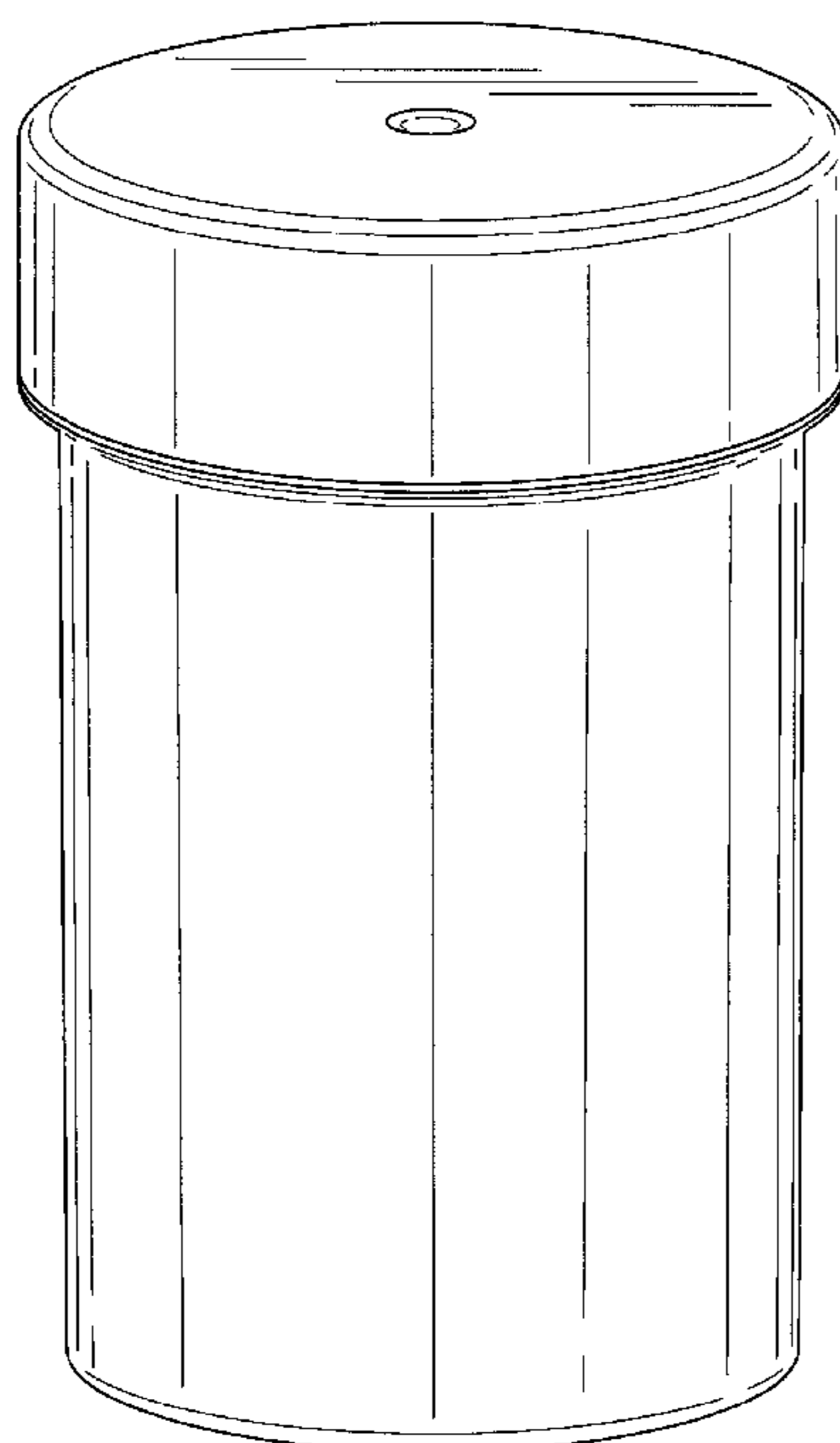
The ornamental design for packaging casing, as shown and  
described.

**DESCRIPTION**

FIG. 1 is a top perspective view of a packaging casing show-  
ing the present invention;  
FIG. 2 is a front elevation view thereof, the rear elevation view  
being identical;  
FIG. 3 is a top plan view thereof;  
FIG. 4 is a bottom plan view thereof;  
FIG. 5 is a top perspective view of the closure portion of the  
packaging casing of FIG. 1;  
FIG. 6 is a top perspective view of the packaging casing of  
FIG. 1 shown with the closure portion removed; and,  
FIG. 7 is a cross-section view taken along the line 7-7 in FIG.  
2.

The broken lines in the drawings showing the inside elements  
of the packaging casing illustrate the portions of the design  
that form no part of the claim.

**1 Claim, 6 Drawing Sheets**



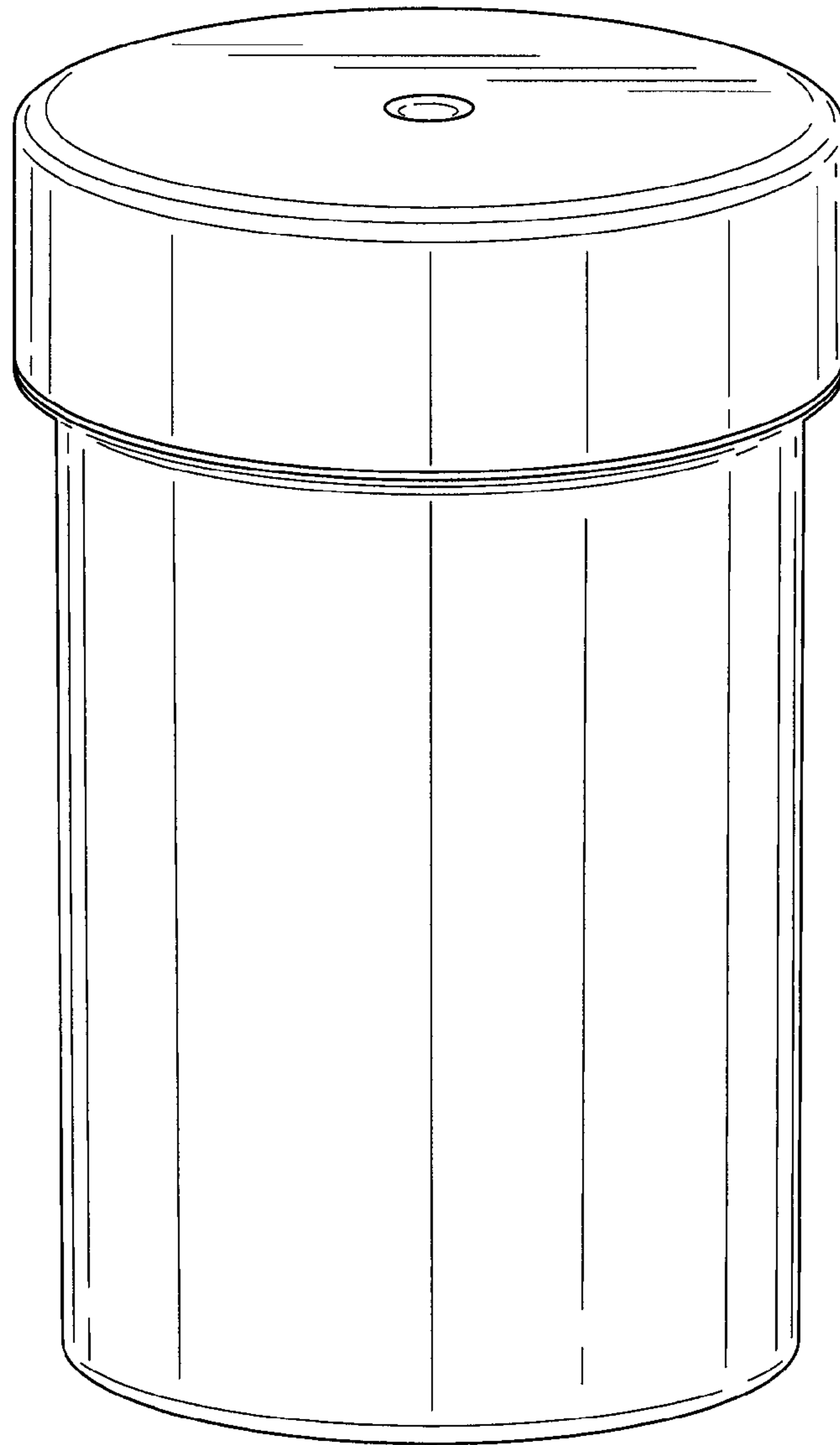


FIG. 1

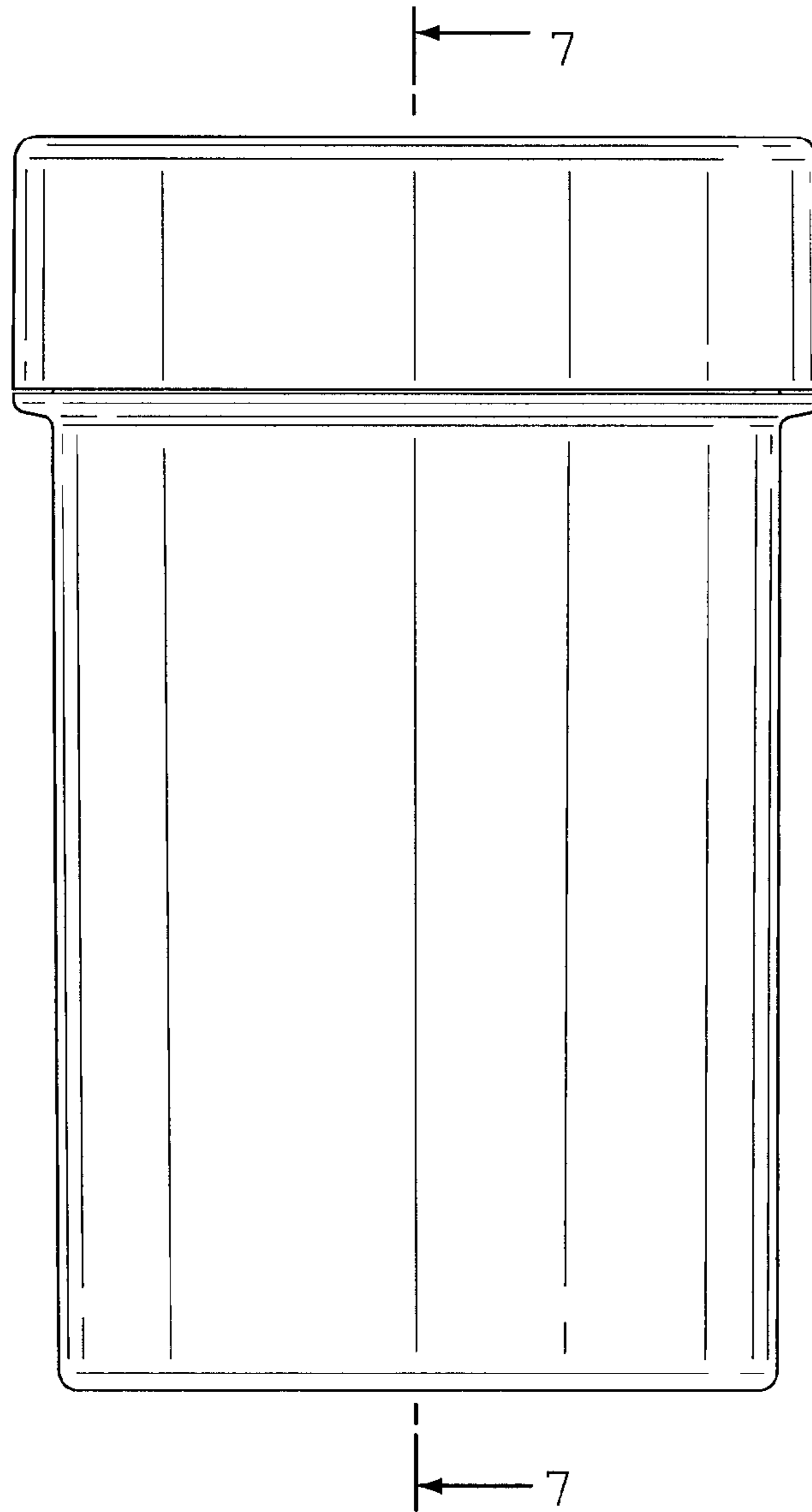


FIG.2

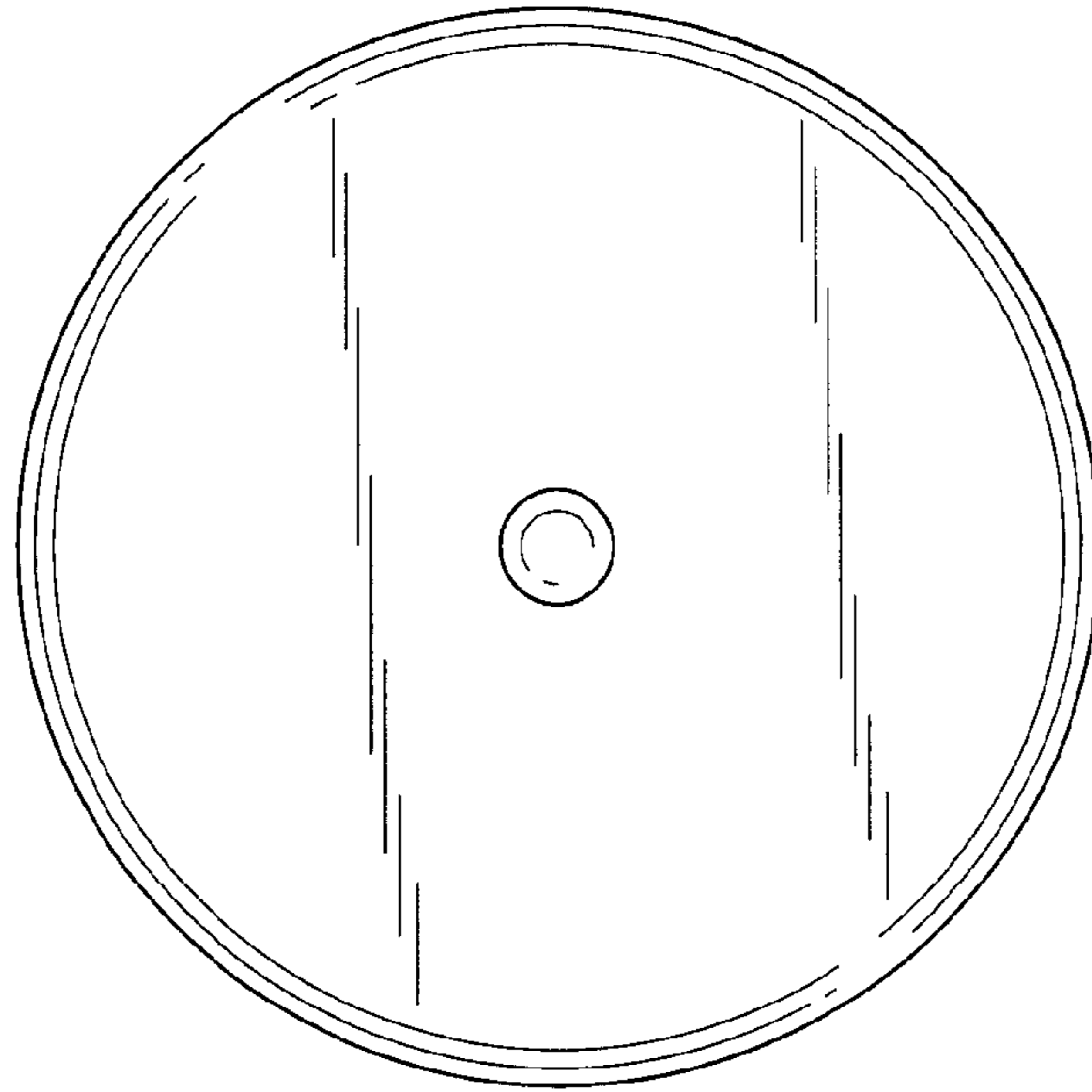


FIG.3

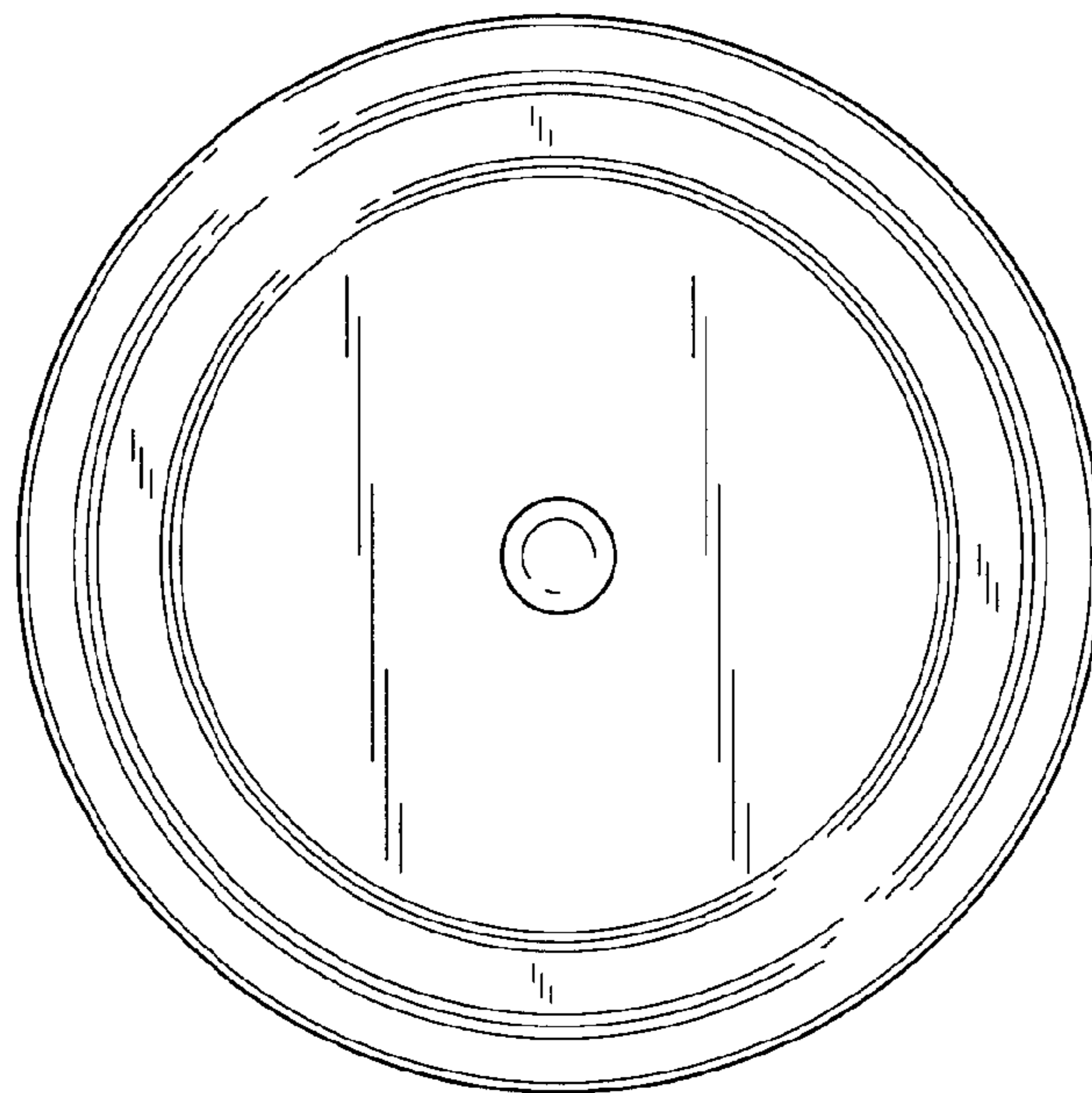


FIG.4

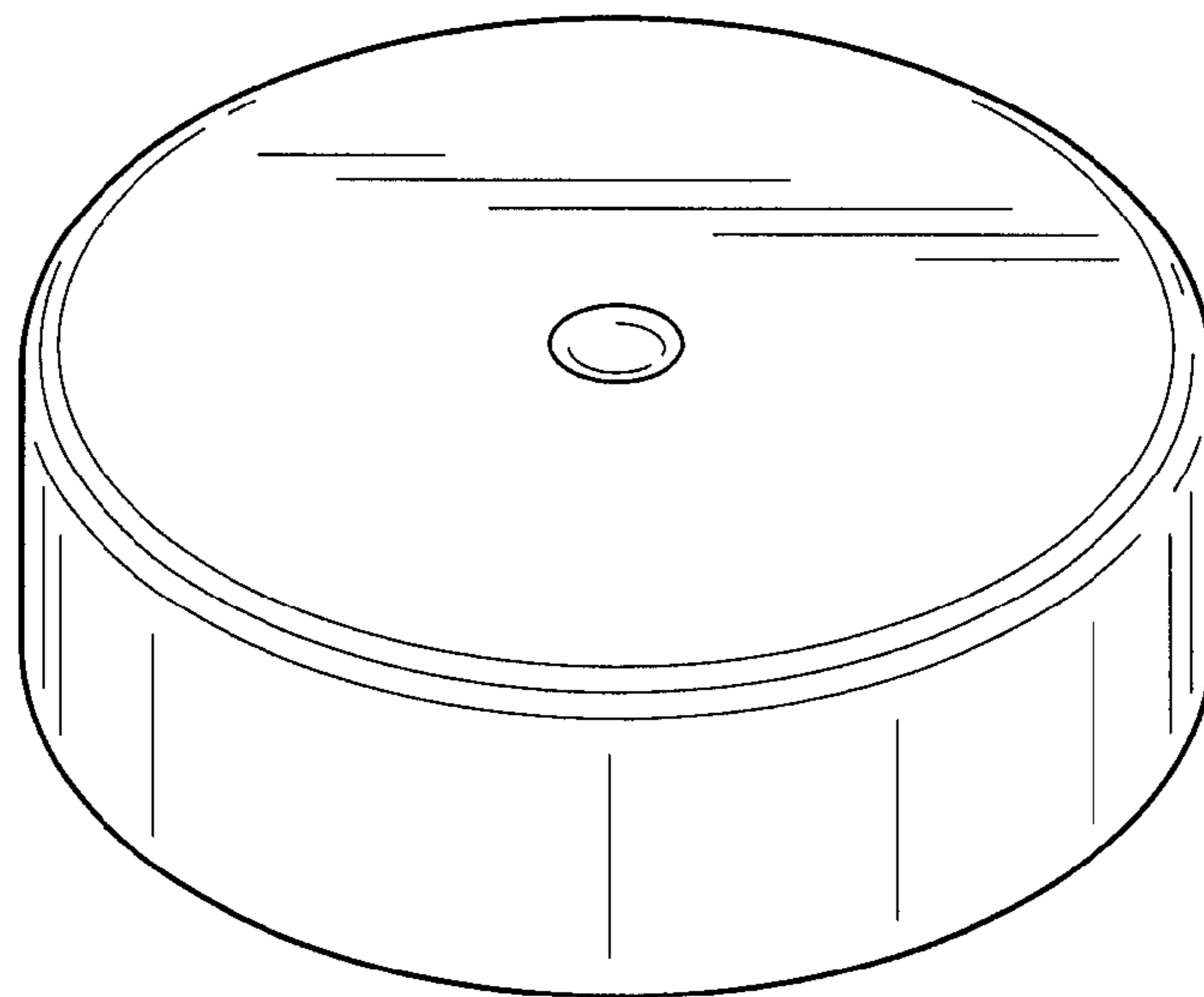


FIG.5

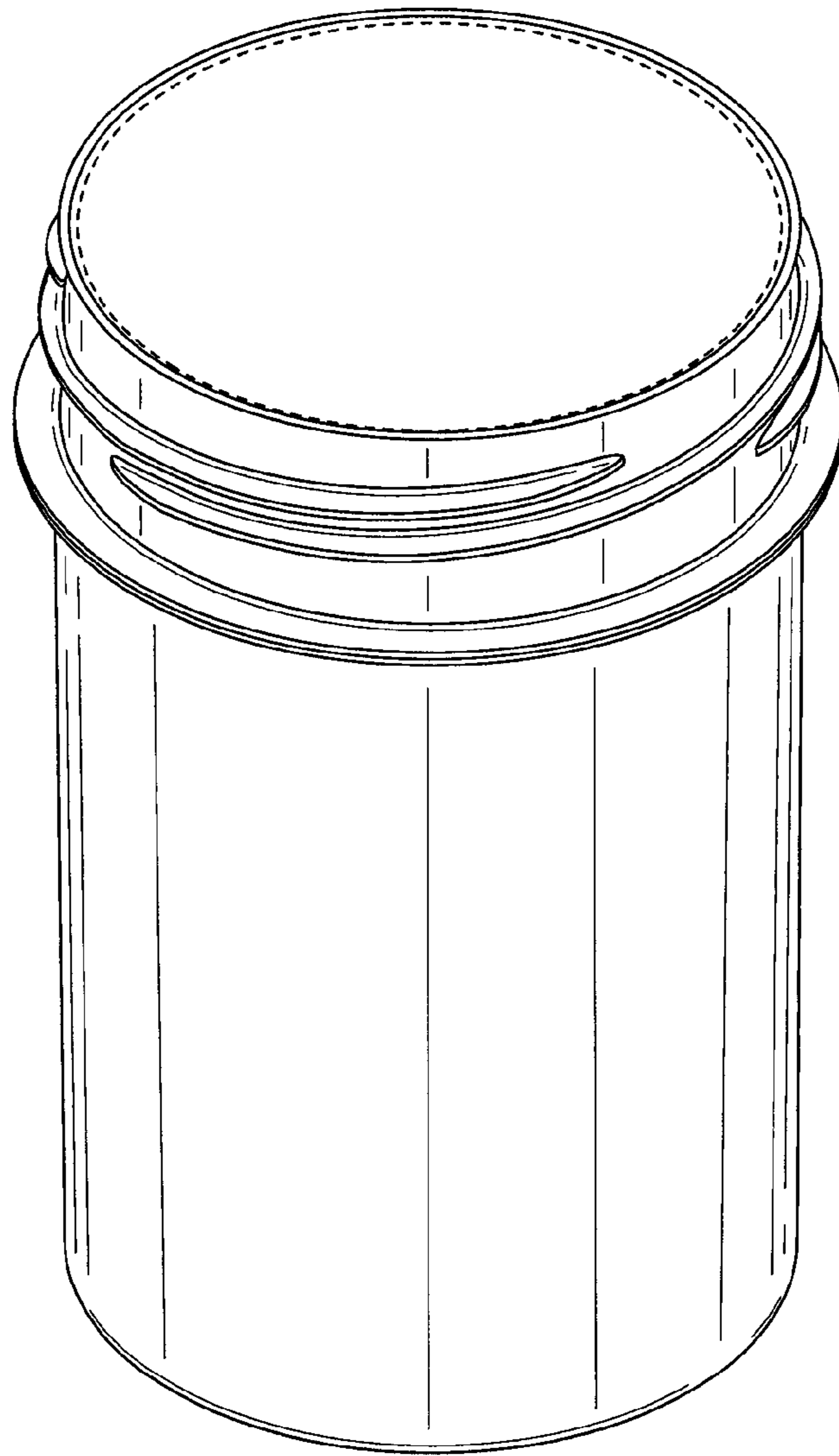


FIG. 6

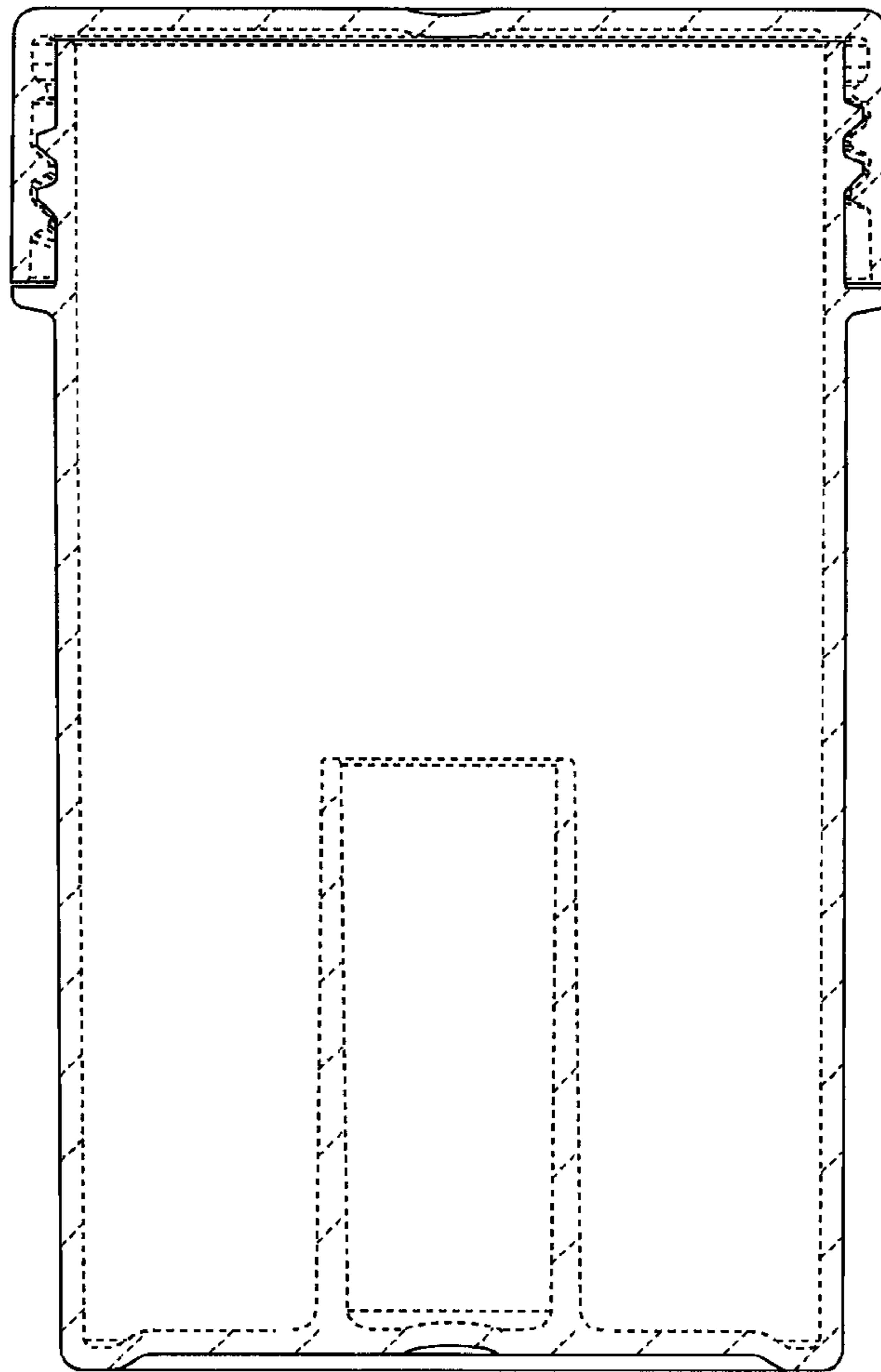


FIG.7