



US00D654365S

(12) **United States Design Patent**
Im

(10) **Patent No.:** **US D654,365 S**

(45) **Date of Patent:** **** Feb. 21, 2012**

(54) **COSMETIC CONTAINER**

(75) Inventor: **Hye-Sun Im**, Seoul (KR)

(73) Assignee: **Sur Ltd.** (KR)

(**) Term: **14 Years**

(21) Appl. No.: **29/389,743**

(22) Filed: **Apr. 15, 2011**

(30) **Foreign Application Priority Data**

Feb. 22, 2011 (KR) 30-2011-0006906

(51) **LOC (9) Cl.** **09-01**

(52) **U.S. Cl.** **D9/522; D9/572; D9/575; D9/520**

(58) **Field of Classification Search** D9/682,
D9/684, 686-687, 693-694, 715, 719, 723,
D9/516, 522, 529-530, 537-546, 569, 572-575,
D9/454; 215/379, 381-382, 384; 220/660,
220/662, 669; D4/116

See application file for complete search history.

(56) **References Cited**

U.S. PATENT DOCUMENTS

D331,703 S *	12/1992	Seguin et al.	D9/572
D335,453 S *	5/1993	Marti	D9/516 X
D339,295 S *	9/1993	Hicks	D9/575 X
D393,803 S *	4/1998	Walter	D9/543
D399,658 S *	10/1998	Nosella	D4/116
D417,154 S *	11/1999	Weinert et al.	D9/543
D418,421 S *	1/2000	Mansau	D9/529
D430,022 S *	8/2000	Goettner	D9/416
D431,970 S *	10/2000	Sani	D9/546 X
D458,140 S *	6/2002	Hutchins	D9/530 X
D459,024 S *	6/2002	Chen	D27/157
D461,416 S *	8/2002	Pieschel	D9/530
D485,170 S *	1/2004	Hay et al.	D9/522 X

D485,184 S *	1/2004	Hay et al.	D9/522
D502,648 S *	3/2005	Osip et al.	D9/522
D509,144 S *	9/2005	Snyder	D9/543
D519,032 S *	4/2006	Abadinsky	D9/522
D535,104 S *	1/2007	Chen	D4/116
D535,105 S *	1/2007	Chen	D4/116
D548,108 S *	8/2007	Lo	D9/719
D556,040 S *	11/2007	Kawashima et al.	D9/529
D559,108 S *	1/2008	Regas	D9/573 X
D573,473 S *	7/2008	Kruparova	D9/522
D634,205 S *	3/2011	Arnell et al.	D9/537

OTHER PUBLICATIONS

On sale information in Korea, dated Sep. 6, 2010, (sales receipt for cosmetic container purchase of claimed design).

* cited by examiner

Primary Examiner — Carol P Rademaker

(74) *Attorney, Agent, or Firm* — Cantor Colburn LLP

(57) **CLAIM**

I Claim, the ornamental design for a cosmetic container, as shown and described.

DESCRIPTION

FIG. 1 is a top, front, left side perspective view of the cosmetic container, showing my new design;

FIG. 2 is a front elevational view thereof;

FIG. 3 is a rear elevational view thereof;

FIG. 4 is a left side elevational view thereof;

FIG. 5 is a right side elevational view thereof;

FIG. 6 is a top plan view thereof; and,

FIG. 7 is a bottom plan view thereof.

The broken line showing of a portion of the bottom surface is included for the purpose of illustrating environmental structure and forms no part of the claimed design.

1 Claim, 7 Drawing Sheets

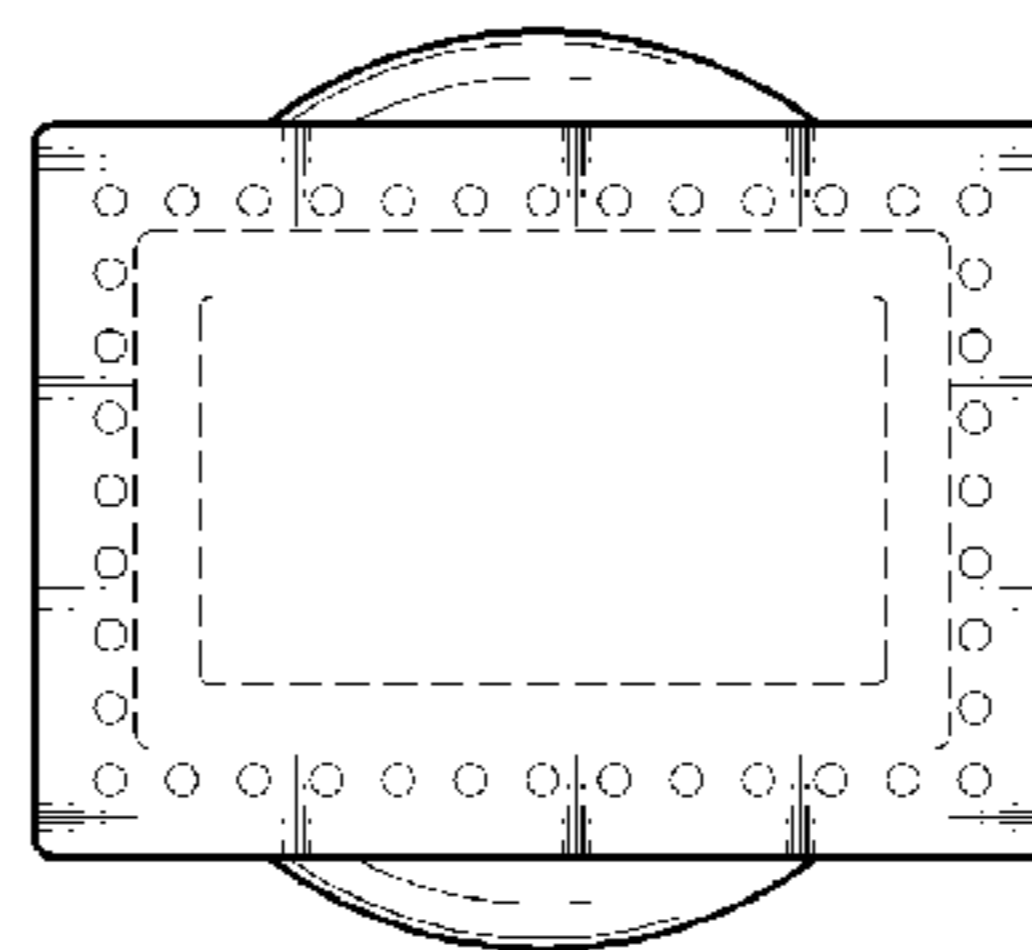
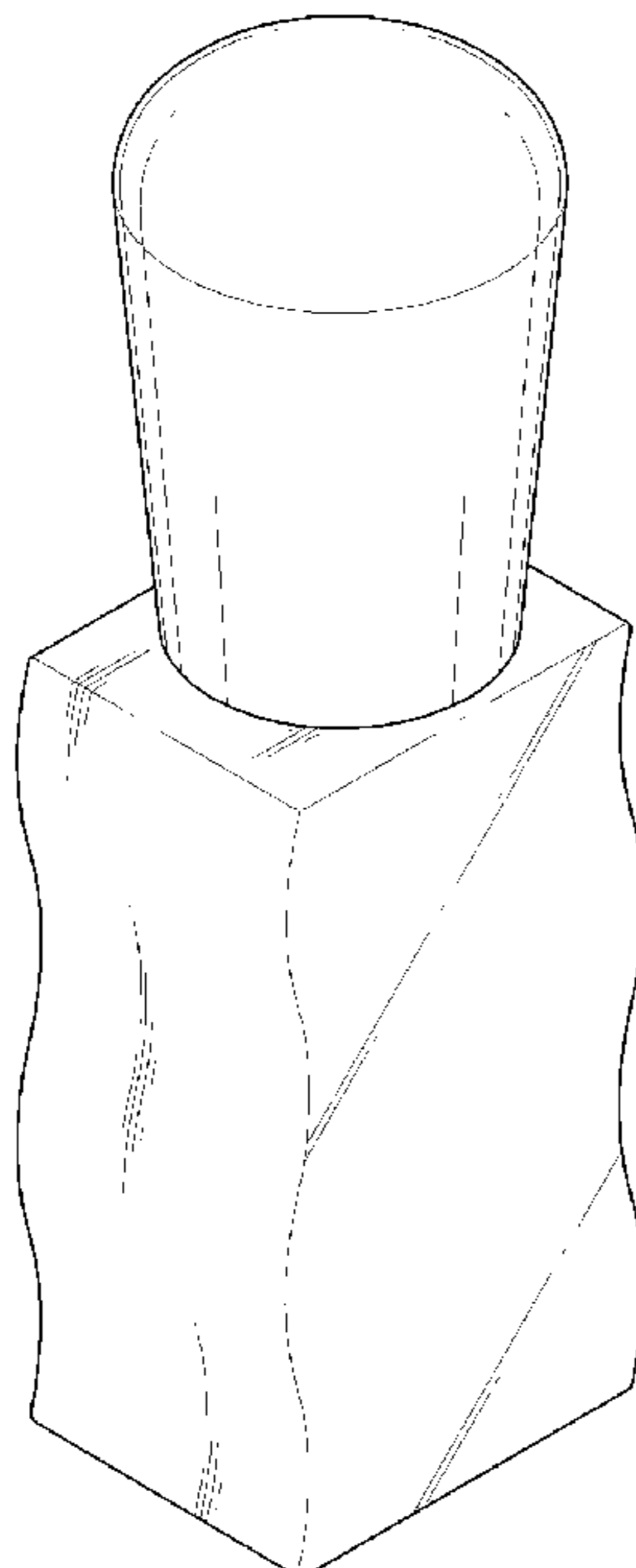


FIG. 1

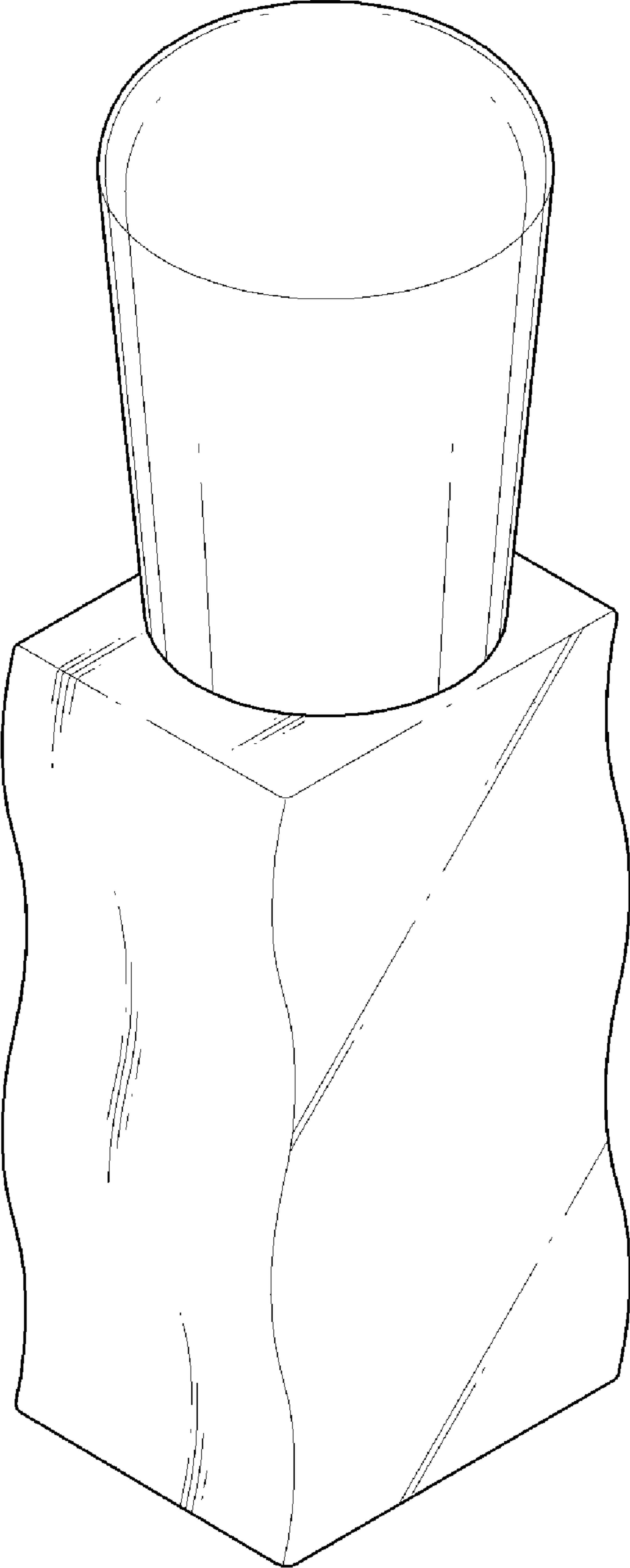


FIG. 2

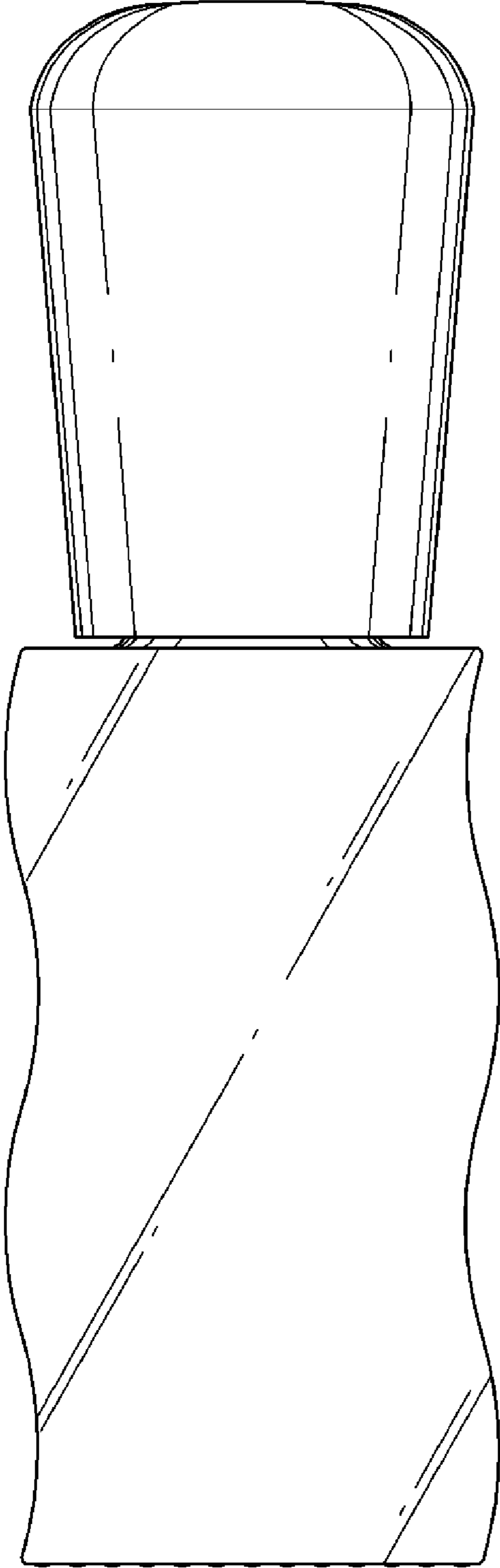


FIG. 3

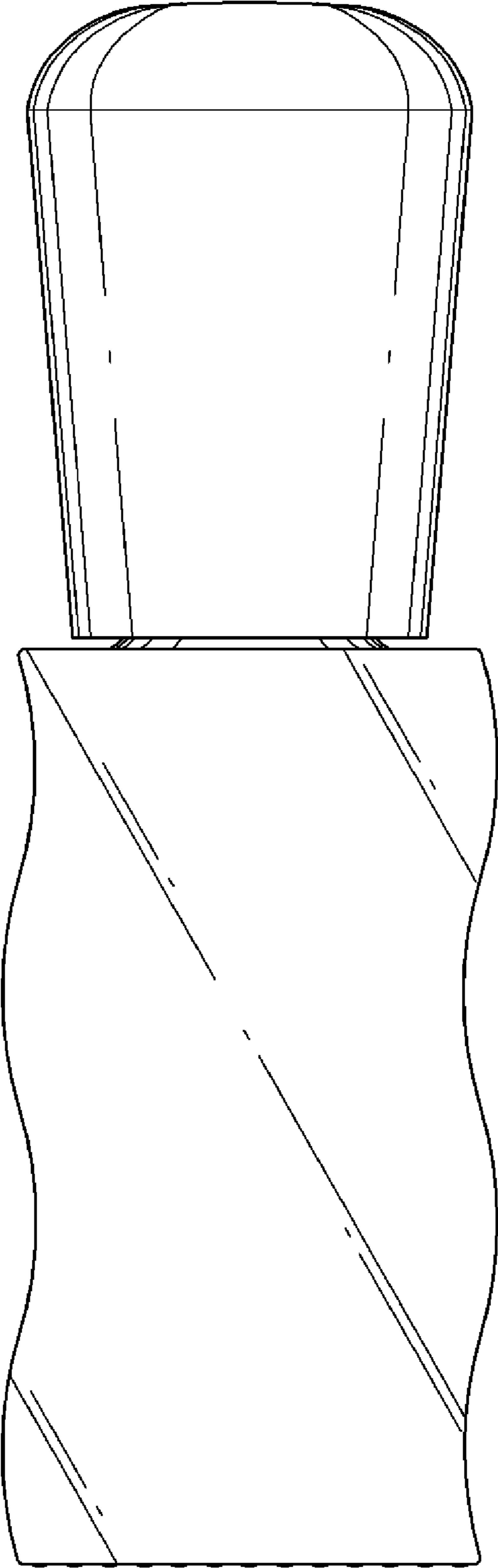


FIG. 4

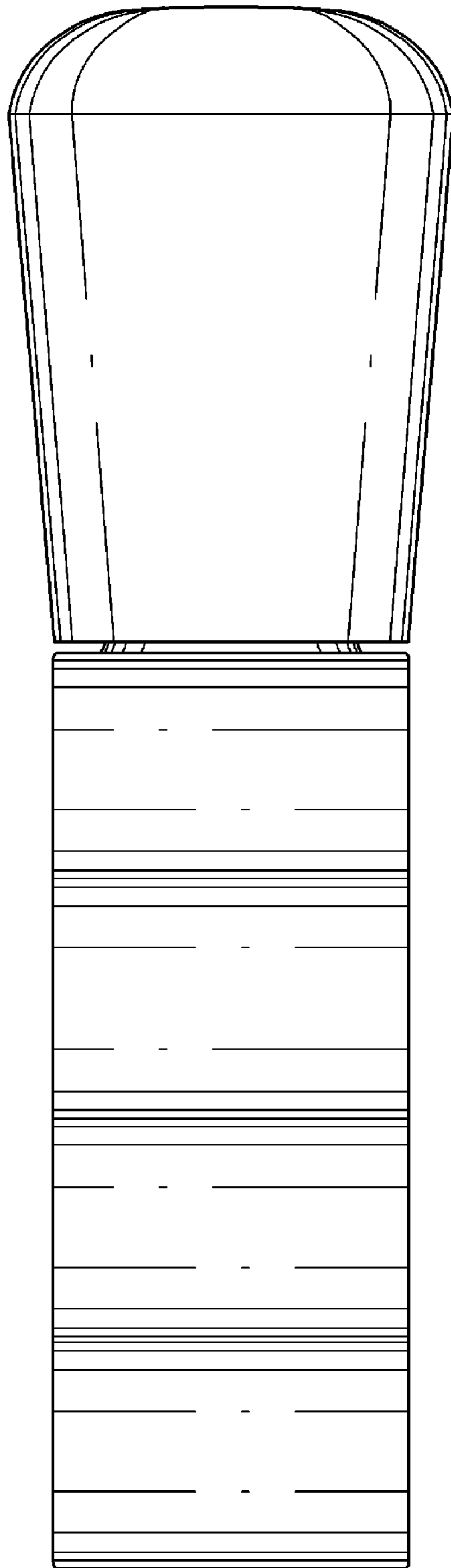


FIG. 5

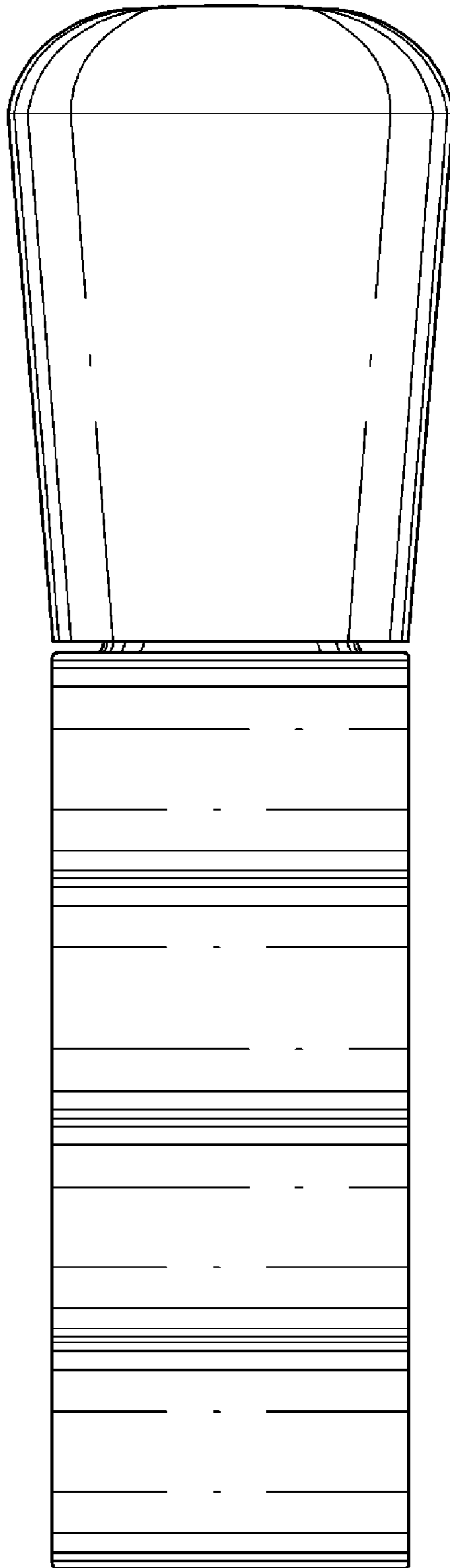


FIG. 6

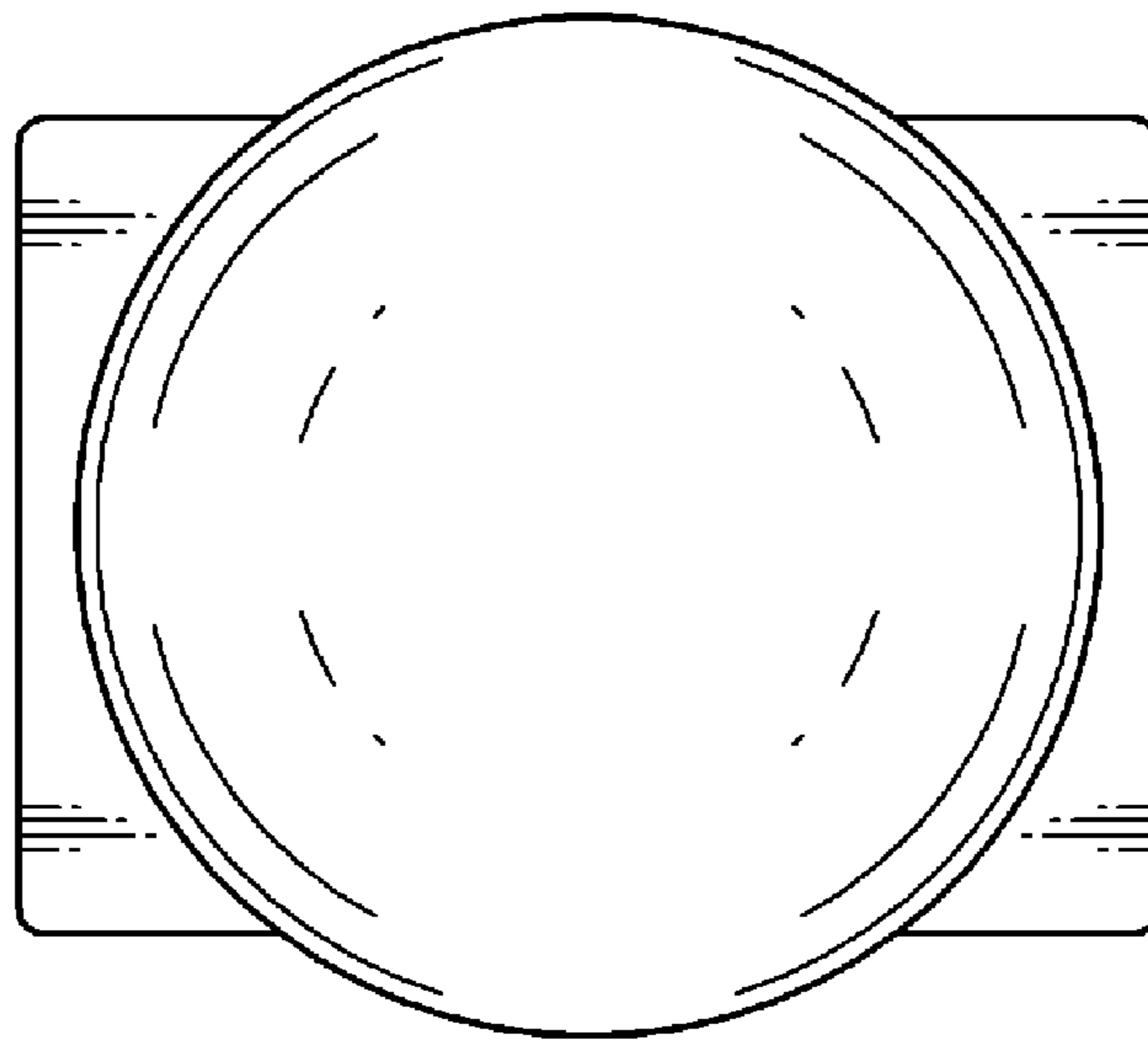


FIG. 7

