



US00D654361S

(12) **United States Design Patent**
Hirata

(10) **Patent No.:** **US D654,361 S**
(45) **Date of Patent:** **** Feb. 21, 2012**

(54) **CAP FOR A CONTAINER**
(75) Inventor: **Tomohisa Hirata**, Tokyo (JP)
(73) Assignee: **Kao Corporation**, Tokyo (JP)
(**) Term: **14 Years**
(21) Appl. No.: **29/361,910**
(22) Filed: **May 17, 2010**

JP	1026588	11/1998
JP	1050316	9/1999
JP	1065730	4/2000
JP	1070324	5/2000
JP	1145314	7/2002
JP	1180533	7/2003
JP	1209910	6/2004
JP	1216368	9/2004
JP	1217324	9/2004
JP	1283861	10/2006
JP	1313768	10/2007
JP	1313804	10/2007
JP	1313979	10/2007
JP	1340661	9/2008

(30) **Foreign Application Priority Data**

Nov. 16, 2009 (JP) D2009-026755

(51) **LOC (9) Cl.** **09-07**
(52) **U.S. Cl.** **D9/448**
(58) **Field of Classification Search** D9/685,
D9/682, 456, 448, 447, 435, 434, 415; D23/227,
D23/226, 213; 222/556-557, 402.13, 383.1,
222/281, 251, 182, 321.9; D6/542
See application file for complete search history.

* cited by examiner

Primary Examiner — Susan Bennett Hattan

(74) *Attorney, Agent, or Firm* — Oblon, Spivak,
McClelland, Maier & Neustadt, L.L.P.

(56) **References Cited**

U.S. PATENT DOCUMENTS

D392,887 S *	3/1998	Wadsworth	D9/448
D397,937 S *	9/1998	Wadsworth	D9/448
D480,643 S *	10/2003	Dretzka	D9/448
D488,716 S *	4/2004	Dretzka	D9/448
D505,326 S *	5/2005	Costa	D9/448
D534,425 S *	1/2007	Kuo	D9/448
D539,648 S *	4/2007	Arminak	D9/448
D568,154 S *	5/2008	Arminak	D9/448
D574,707 S *	8/2008	Pietrowski et al.	D9/448
2011/0095055 A1 *	4/2011	Kakuta et al.	222/321.9

FOREIGN PATENT DOCUMENTS

JP	899469	5/1994
JP	965680	10/1996
JP	966121	10/1996
JP	1024757	11/1998

DESCRIPTION

(57) **CLAIM**
The ornamental design for a cap for a container, as shown and described.

FIG. 1 is a perspective view of a cap for a container;
FIG. 2 is a front view thereof, a rear view being a mirror view of the front view;
FIG. 3 is a left side view thereof;
FIG. 4 is a right side view thereof;
FIG. 5 is a top plan view thereof; and,
FIG. 6 is a bottom plan view thereof.

The broken lines showing on the drawing disclosure are for illustrative purposes only and form no part of the claimed design.

1 Claim, 4 Drawing Sheets

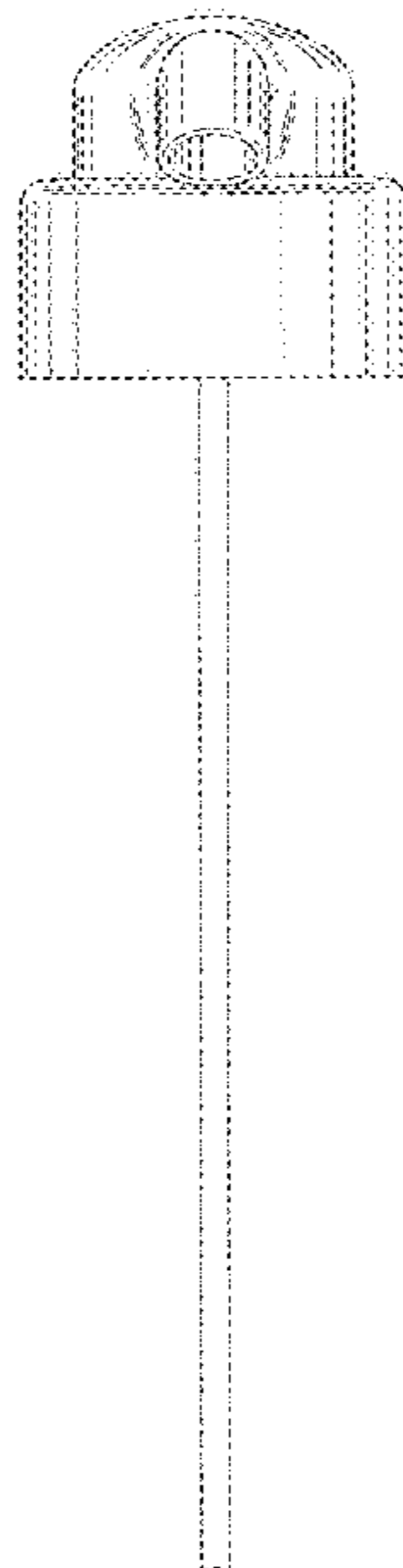


Fig. 1

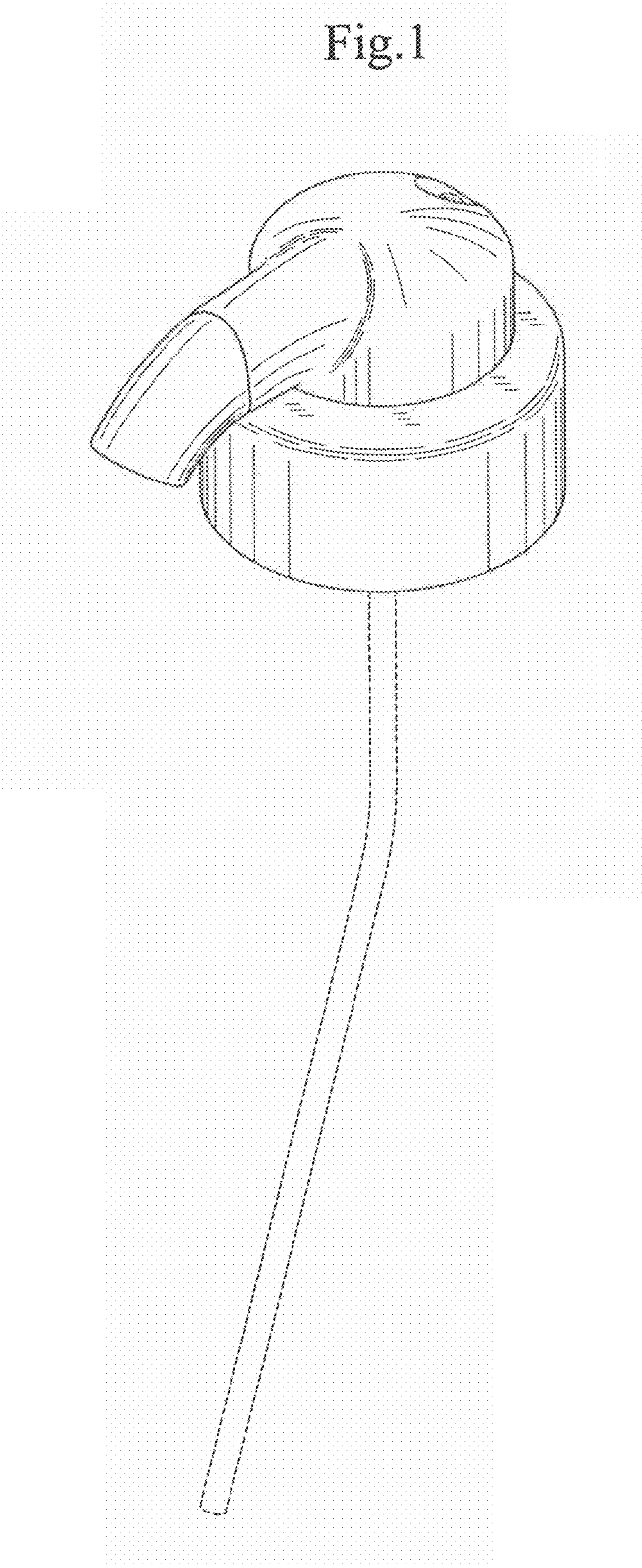


Fig.2

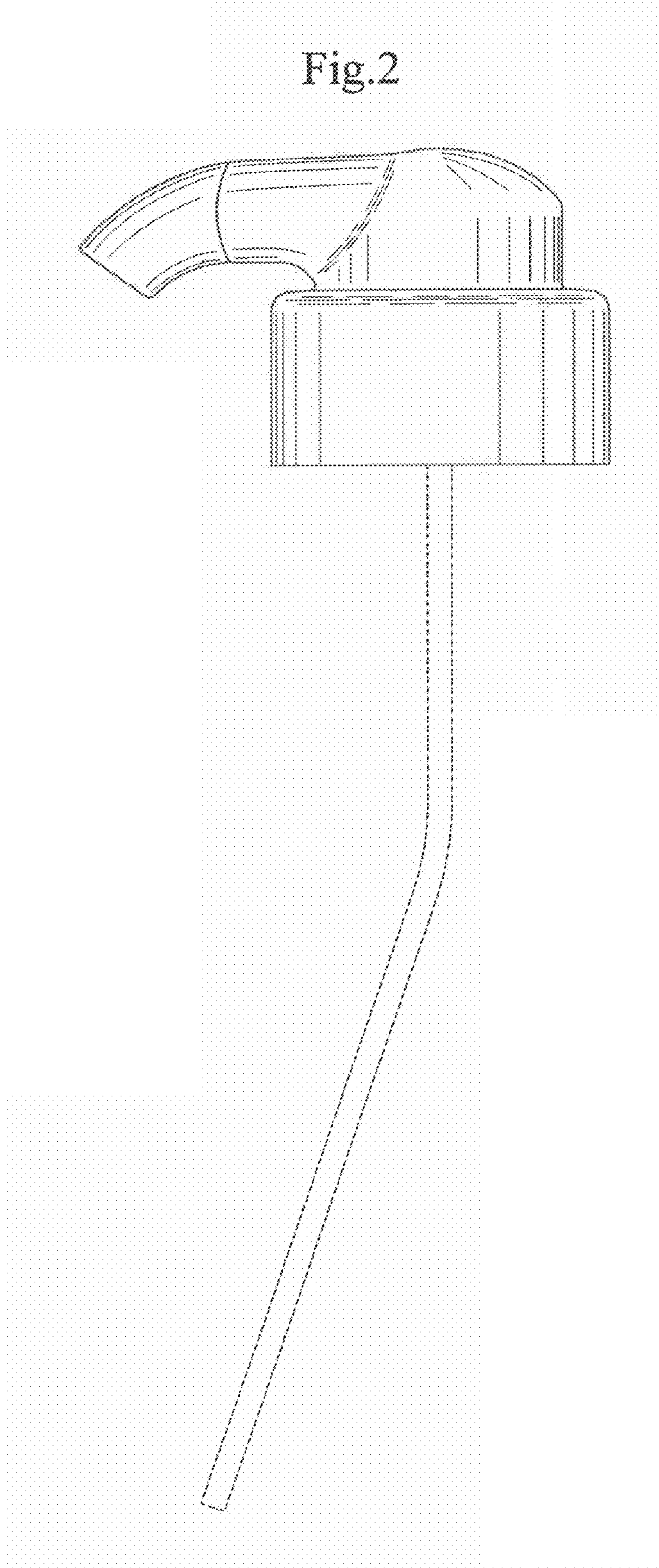


Fig.3

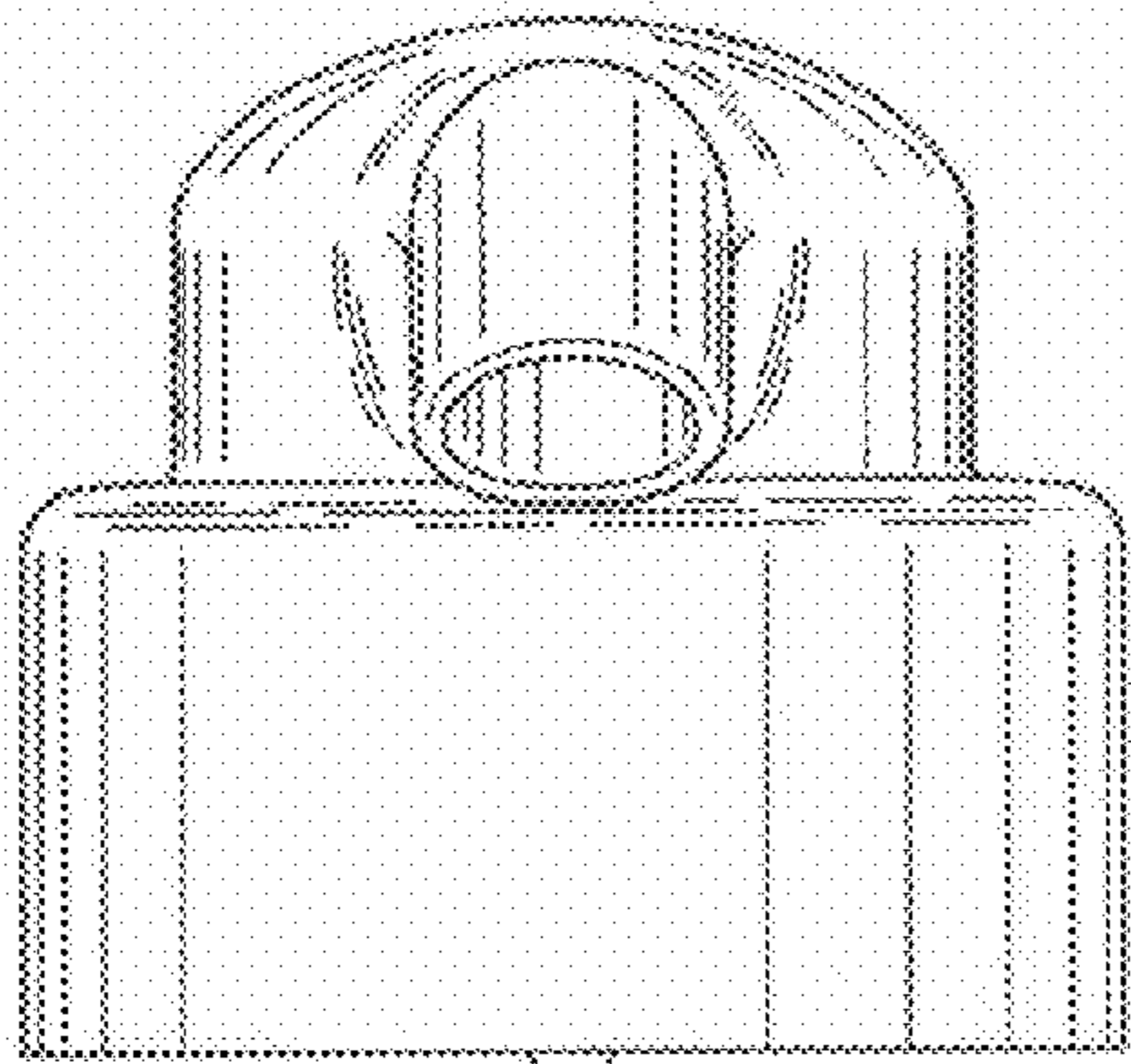


Fig.4

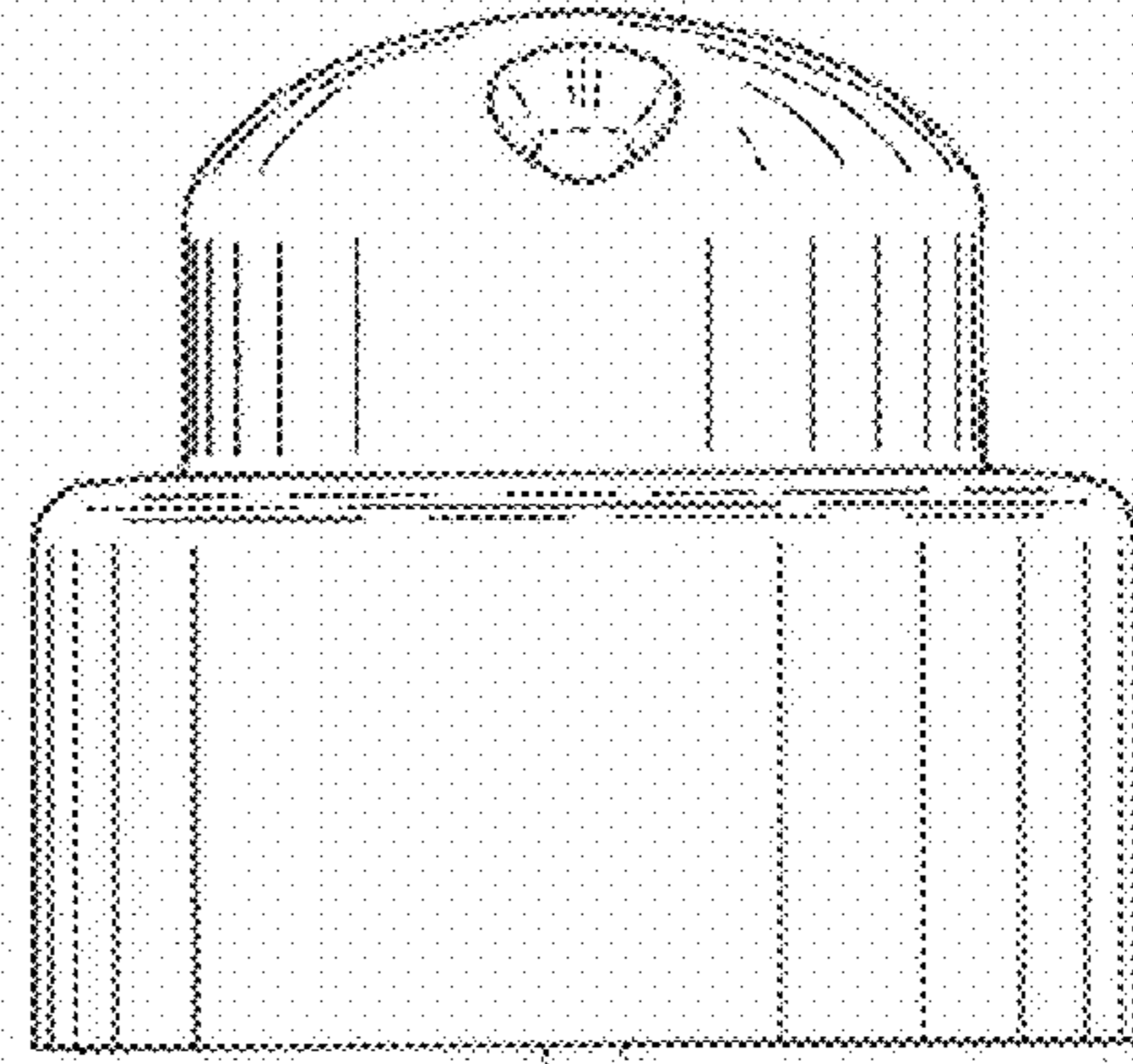


Fig.5

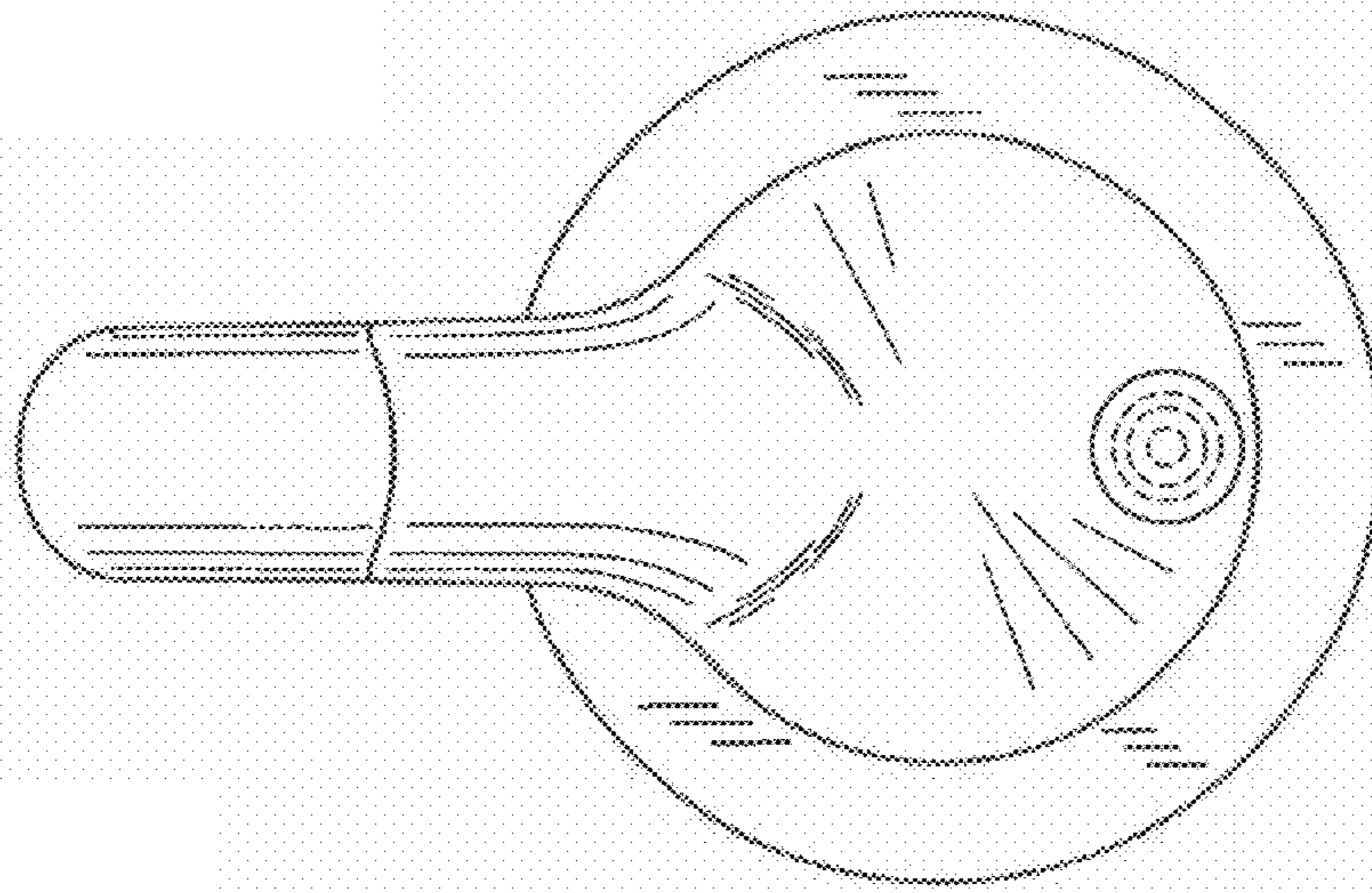


Fig.6

