

US00D654357S

(12) **United States Design Patent**
Arinsmier et al.

(10) **Patent No.:** **US D654,357 S**

(45) **Date of Patent:** **** Feb. 21, 2012**

(54) **COSMETIC PACKAGE**

(75) Inventors: **Keri Marsh Arinsmier**, Cincinnati, OH (US); **Carolina Lavin**, Jersey City, NJ (US)

(73) Assignee: **The Procter & Gamble Company**, Cincinnati, OH (US)

(**) Term: **14 Years**

(21) Appl. No.: **29/397,231**

(22) Filed: **Jul. 13, 2011**

Related U.S. Application Data

(62) Division of application No. 29/366,295, filed on Jul. 22, 2010, now Pat. No. Des. 643,307.

(51) **LOC (9) Cl.** **09-03**

(52) **U.S. Cl.** **D9/415**

(58) **Field of Classification Search** D9/722,
D9/414-432, 457; 206/207-210, 461-471,
206/581, 806, 822, 823

See application file for complete search history.

(56) **References Cited**

U.S. PATENT DOCUMENTS

D295,833	S	*	5/1988	Roth	D9/722
4,867,304	A	*	9/1989	Garcia	206/581
D316,221	S		4/1991	Dombroski		
D359,233	S	*	6/1995	Verhagen	D9/722
D368,221	S	*	3/1996	Montague	D9/722
5,582,328	A		12/1996	Brown		
D383,385	S	*	9/1997	Hayduk et al.	D9/607
D468,198	S	*	1/2003	Nakazawa et al.	D9/415
7,055,680	B2	*	6/2006	Liebers	206/5
7,147,374	B2	*	12/2006	Ajootian	383/13
7,219,801	B2	*	5/2007	Christian	206/581
D544,788	S	*	6/2007	Brittain	D9/415
D550,553	S	*	9/2007	Yalinkaya	D9/415
D556,600	S	*	12/2007	Galantai et al.	D9/722
D559,703	S		1/2008	Egawa		
7,641,409	B1	*	1/2010	Wilde et al.	401/132

D616,296	S	*	5/2010	Britt et al.	D9/415
D616,297	S	*	5/2010	Britt et al.	D9/415
D618,089	S	*	6/2010	L'Hoste et al.	D9/415
D643,307	S	*	8/2011	Arinsmier et al.	D9/722
2008/0145133	A1	*	6/2008	Palmer	401/18

OTHER PUBLICATIONS

U.S. Appl. No. 29/366,274, filed Jul. 22, 2010, Keri Marsh Arinsmier.
U.S. Appl. No. 29/366,278, filed Jul. 22, 2010, Keri Marsh Arinsmier.
U.S. Appl. No. 29/366,281, filed Jul. 22, 2010, Keri Marsh Arinsmier.
U.S. Appl. No. 29/366,285, filed Jul. 22, 2010, Keri Marsh Arinsmier.
U.S. Appl. No. 29/366,297, filed Jul. 22, 2010, Keri Marsh Arinsmier.
U.S. Appl. No. 29/366,312, filed Jul. 22, 2010, Keri Marsh Arinsmier.
Picture of A'Gensn Abundant Olive Series Sunscreen Set, www.gnpd.com; published Nov. 20, 2009; 3 pages.
Picture of Alba Botanica Rainforest Açai Gentle Renewal Scrub, www.gnpd.com; published Aug. 3, 2009; 2 pages.

(Continued)

Primary Examiner — Thomas Johannes

(74) *Attorney, Agent, or Firm* — John G. Powell

(57) **CLAIM**

The ornamental design for a cosmetic package, as shown and described.

DESCRIPTION

FIG. 1 is a front perspective view of a cosmetic package showing our new design;

FIG. 2 is a front elevation view thereof;

FIG. 3 is a back elevation view thereof;

FIG. 4 is a right side elevation view thereof;

FIG. 5 is a left side elevation view thereof;

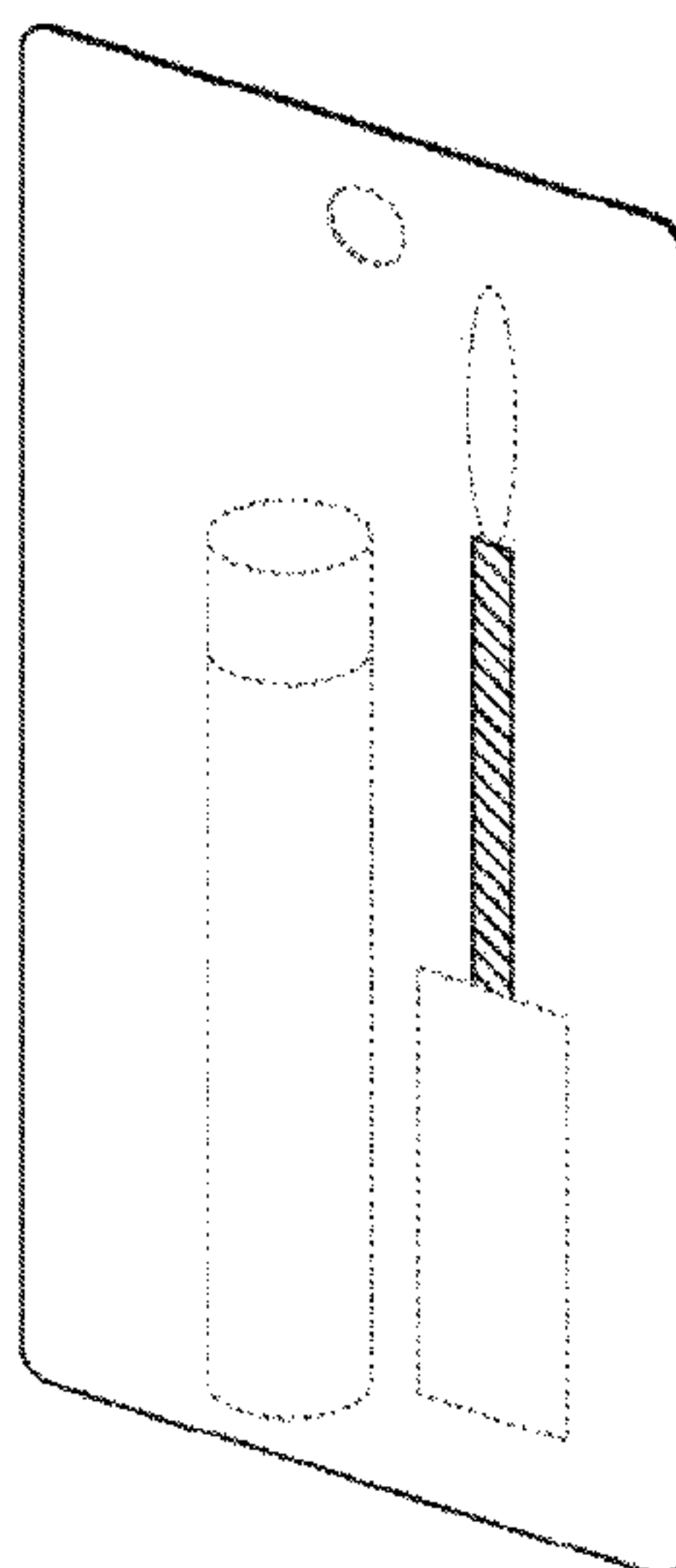
FIG. 6 is a top plan view thereof; and,

FIG. 7 is a bottom plan view thereof.

The diagonal line shading in these figures represents the color green.

Broken lines shown in the figures described above show unclaimed subject matter only and form no part of the claimed design.

1 Claim, 4 Drawing Sheets



OTHER PUBLICATIONS

Picture of Almay Pure Blends Makeup SPF 20, www.gnpd.com; published Oct. 12, 2009; 2 pages.
Picture of Atrix Beauty Charge Whitening Hand Cream, www.gnpd.com; published Sep. 30, 2009; 1 page.
Picture of Bobbi Brown ColorOptions Creamy Color, www.gnpd.com; published Sep. 2001; 2 pages.
Picture of Bobbi Brown Lash Glamour, www.gnpd.com; published; May 2003; 1 page.
Picture of Clark's Botanicals Ultra Rich Lip Balm, www.gnpd.com; published Oct. 2007; 2 pages.
Picture of Conceal FX Camouflage Concealer, www.gnpd.com; published Aug. 14, 2009; 3 pages.
Picture of Cristian Lay Bio Salud, www.gnpd.com; published Nov. 4, 2009; 2 pages.
Picture of DeMillus Erva Doce Creme de Mãos (Anise Hand Cream), www.gnpd.com; published Jun. 3, 2009; 2 pages.
Picture of Dr Irena Eris Under Twenty Make-Up Cream, www.gnpd.com; published Nov. 14, 2007; 2 pages.
Picture of Flores & Vegetais Creme Facial Pepino (Cucumber Face Cream), www.gnpd.com; published Nov. 2009; 2 pages.
Picture of Gemey Maybelline Cil Definition Mascara Longueur Cil à Cil Waterproof (Waterproof Lengthening Mascara), www.gnpd.com; published Apr. 2008; 2 pages.
Picture of L'Oréal Cashmere Perfect Soft Powdercreme Makeup, www.gnpd.com; published Mar. 31, 2005; 2 pages.
Picture of Lumene Double Stay Mineral Makeup, www.gnpd.com; published Apr. 7, 2009; 1 page.
Picture of Maybelline Affinitone Perfecting & Protecting Foundation with vitamin E, www.gnpd.com; published Oct. 6, 2009; 2 pages.
Picture of Maybelline Instant Smooth Result Foundation, www.gnpd.com; published Dec. 4, 2006; 1 page.
Picture of Miss Sporty Studio Lash Eye Opening & Lash Sculpting Mascara, www.gnpd.com; published Jun. 2008; 2 pages.
Picture of Natura Faces Base Extra Leve FPS 8 (Extra-Soft Foundation SPF 8), www.gnpd.com; published Oct. 26, 2009; 2 pages.

Picture of Neutrogena 3-In-1 Concealer For Eyes, www.gnpd.com; published Apr. 2007; 3 pages.
Picture of Neutrogena Healthy Skin Glow Sheers Foundation, www.gnpd.com; Apr. 2007; 3 pages.
Picture of Neutrogena Norwegische Formel (Anti-Callosity Foot Creme), www.gnpd.com; published Aug. 2007; 2 pages.
Picture of Neutrogena Reafirmante Corporal (Firming Body Moisturizer), www.gnpd.com; published May 2007; 2 pages.
Picture of No7 Essential Moisture Foundation SPF 12, www.gnpd.com; published Jun. 2006; 2 pages.
Picture of Only Acne Oil Control Facial Cleansing Foam, www.gnpd.com; published Sep. 10, 2009; 1 page.
Picture of Palmer's Olive Oil Formula Regenerating Conditioner, www.gnpd.com; published Mar. 2008; 2 pages.
Picture of Physicians Formula Lash-in-a-Tube Full Coverage Cream Mascara, www.gnpd.com; published Feb. 2004; 2 pages.
Picture of Physicians Formula Organic Wear Fair to Light Tinted Moisturizer, www.gnpd.com; published Jan. 2008; 3 pages.
Picture of Purab Green Herbal Foam, www.gnpd.com; published May 5, 2009; 1 page.
Picture of Revlon ColorStay Mineral Mousse Foundation, www.gnpd.com; published Nov. 26, 2009; 1 page.
Picture of Revlon Colorstay Mineral Mousse Makeup, www.gnpd.com; published May 28, 2009; 2 pages.
Picture of Rimmel Stay Matte Clarifying Matte Foundation, www.gnpd.com; published Jan 28, 2009; 2 pages.
Picture of Rimmel Stay Matte, www.gnpd.com; published Nov. 13, 2009; 2 pages.
Picture of Sahra Creme de Arnica com Mentol Arnica Cream with Menthol, www.gnpd.com; published Jun. 2005; 2 pages.
Picture of Universo Garden Angels Gel Revitalizante para Piernas Cansadas (Revitalizing Gel for Tired Legs), www.gnpd.com; published Nov. 6, 2009; 1 page.
Picture of Victoria's Secret Beauty Rush Mascara, www.gnpd.com; published Dec. 2008; 2 pages.

* cited by examiner

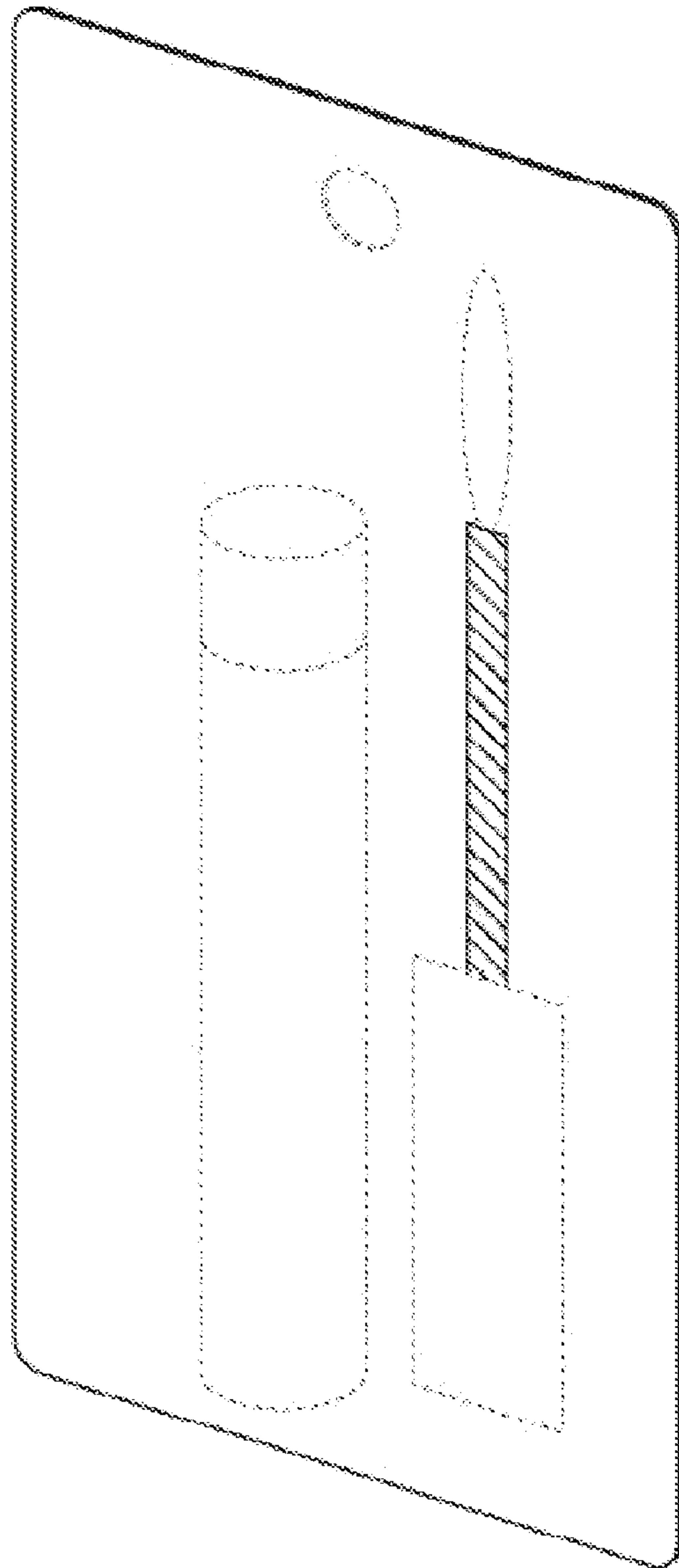


Fig. 1

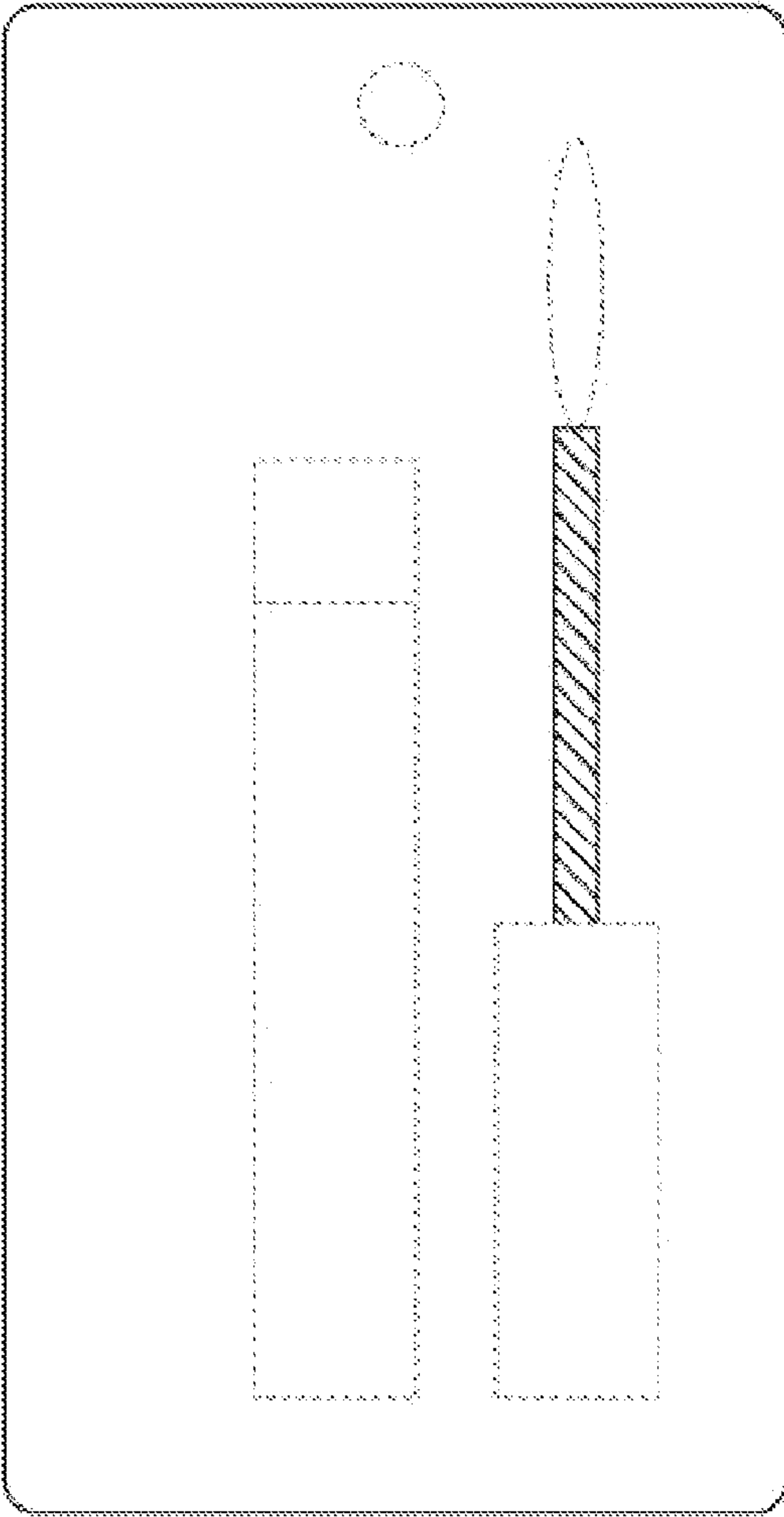


Fig. 2

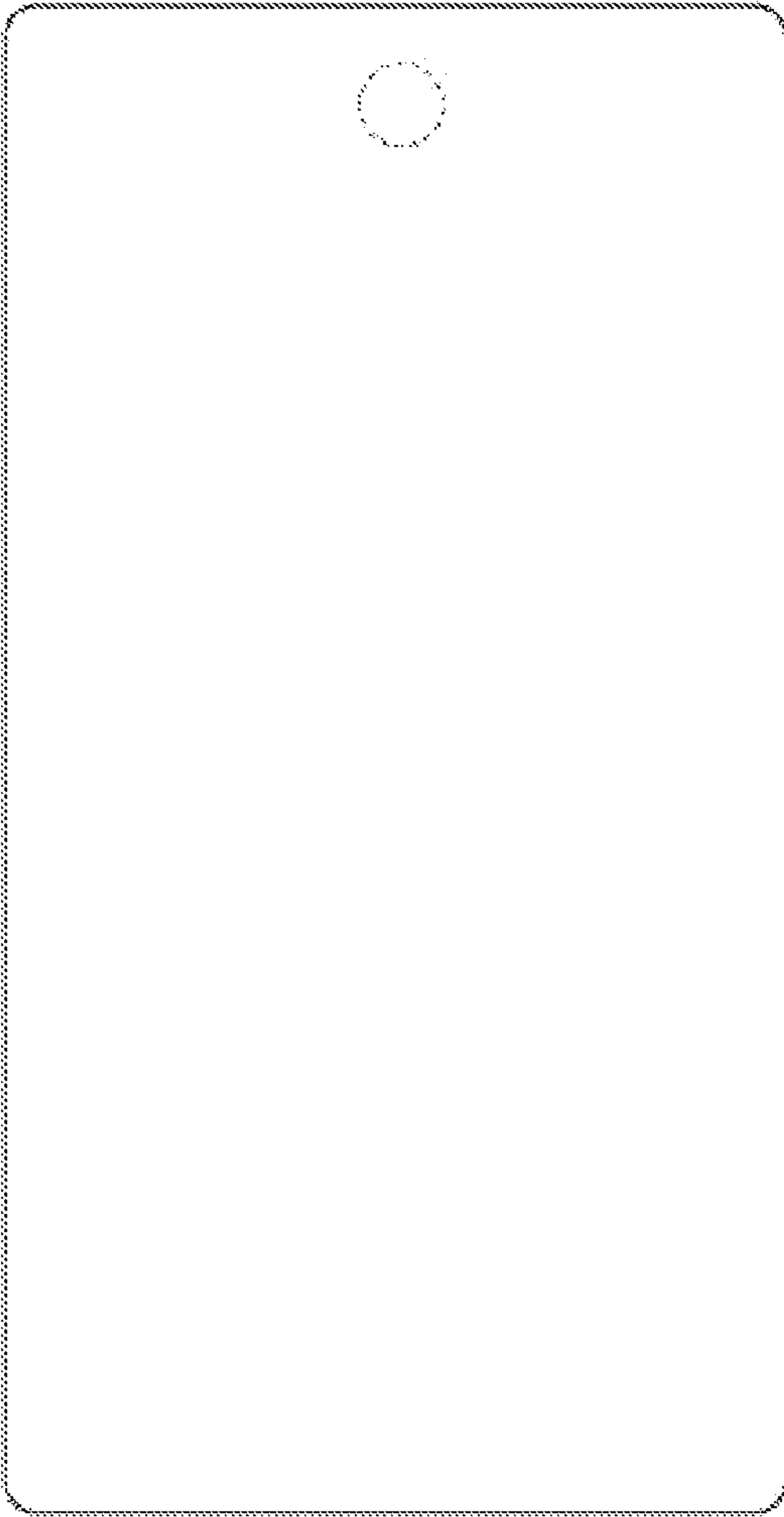


Fig. 3

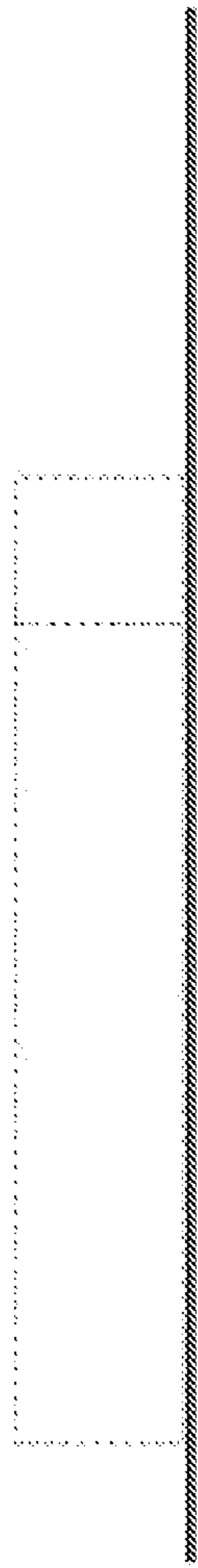


Fig. 4

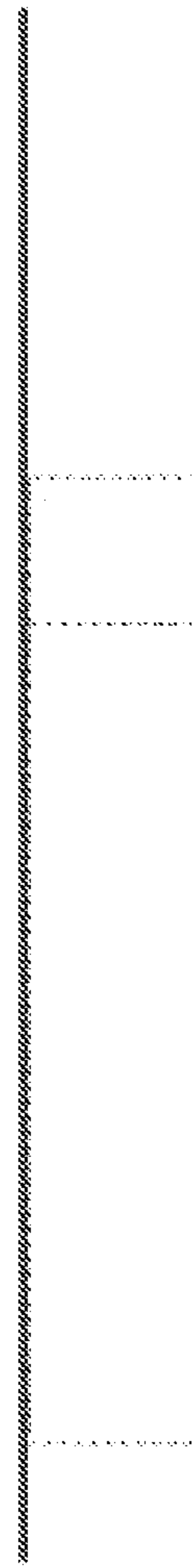


Fig. 5

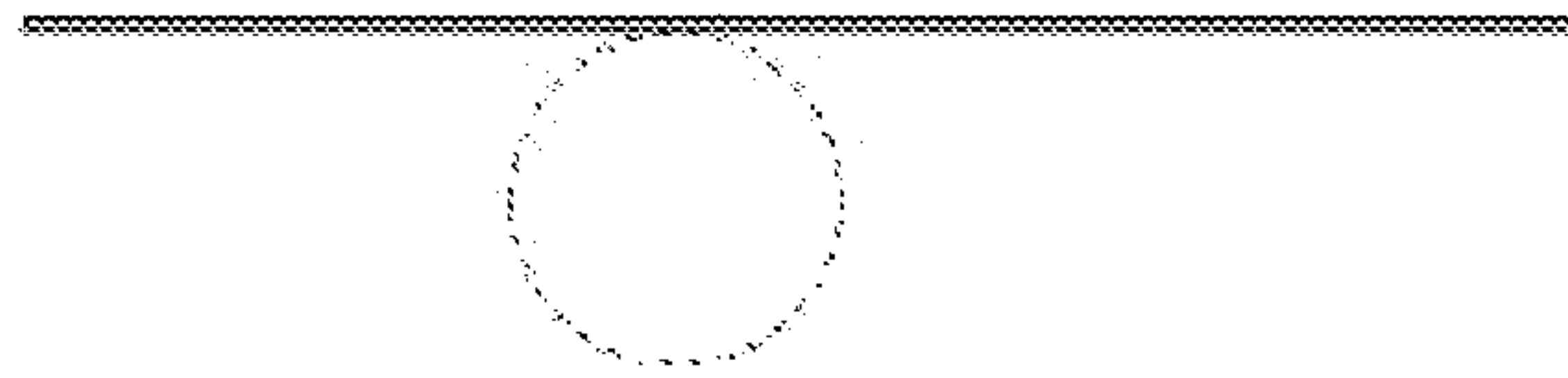


Fig. 6

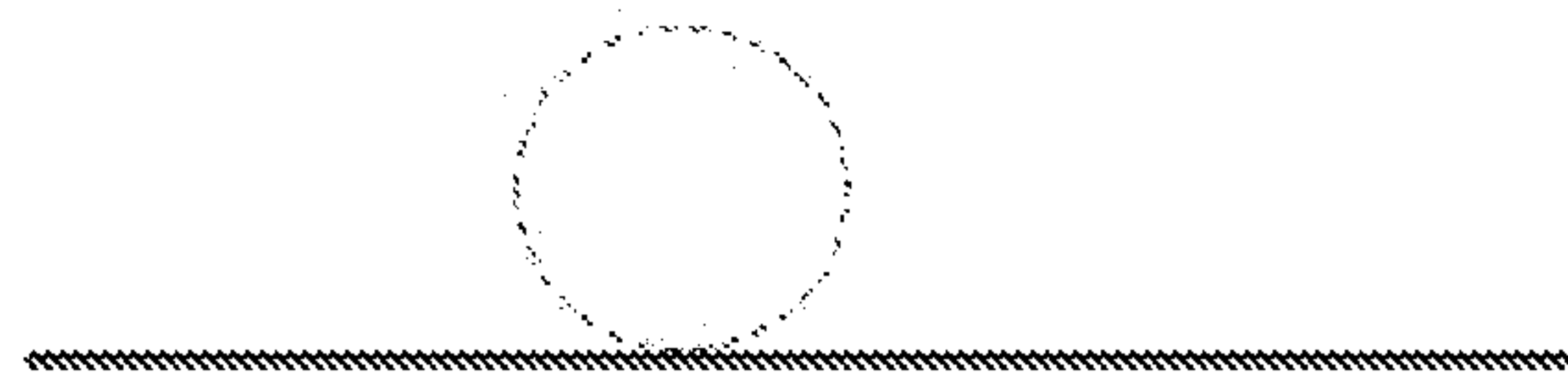


Fig. 7