

US00D654354S

(12) **United States Design Patent**
Jeon

(10) **Patent No.:** **US D654,354 S**

(45) **Date of Patent:** **** Feb. 21, 2012**

(54) **BOLT FOR RIVET**

(76) Inventor: **Byung-Kyu Jeon**, Daegu (KR)

(**) Term: **14 Years**

(21) Appl. No.: **29/377,020**

(22) Filed: **Oct. 15, 2010**

(30) **Foreign Application Priority Data**

Sep. 16, 2010 (KR) 30-2010-0041151

(51) **LOC (9) Cl.** **08-08**

(52) **U.S. Cl.** **D8/387**

(58) **Field of Classification Search** D8/387,
D8/393; 411/411-417, 386, 387, 399, 48
See application file for complete search history.

(56) **References Cited**

U.S. PATENT DOCUMENTS

1,480,485	A *	1/1924	Yonce	411/354
4,749,323	A *	6/1988	Sparling et al.	411/507
5,387,065	A *	2/1995	Sullivan	411/48
6,526,634	B1 *	3/2003	Hsieh	24/458
D542,644	S *	5/2007	Lee et al.	D8/387
7,237,995	B2 *	7/2007	Randez Perez et al.	411/45

D554,487	S *	11/2007	Shinjo	D8/387
D612,230	S *	3/2010	Tanner	D8/387
7,862,275	B2 *	1/2011	Jatzke	411/45

* cited by examiner

Primary Examiner — Cynthia M Chin

Assistant Examiner — Sheryl Lane

(74) *Attorney, Agent, or Firm* — Kile Park Goekjian Reed & McManus PLLC

(57) **CLAIM**

I claim, the ornamental design for a bolt for rivet, as shown and described.

DESCRIPTION

FIG. 1 is a perspective view of a bolt for rivet, showing my new design;
FIG. 2 is a front elevational view thereof;
FIG. 3 is a rear elevational view thereof;
FIG. 4 is a left side elevational view thereof;
FIG. 5 is a right side elevational view thereof;
FIG. 6 is a top plan view thereof;
FIG. 7 is a bottom plan view thereof; and,
FIG. 8 is a reference perspective view showing the bolt for rivet connected to a retainer.
The portions of the article shown in broken lines form no part of the claimed design.

1 Claim, 3 Drawing Sheets

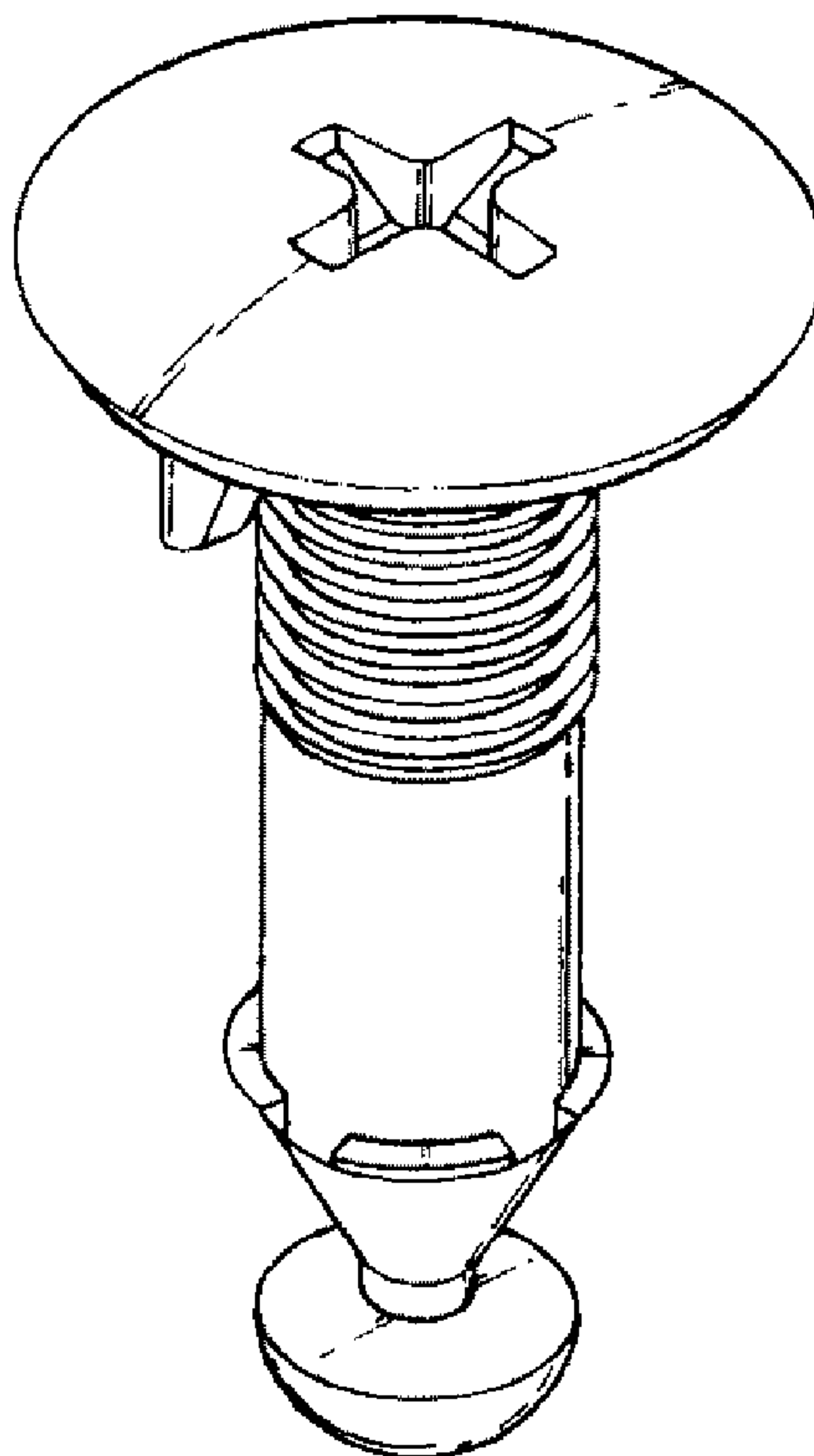


Fig. 1

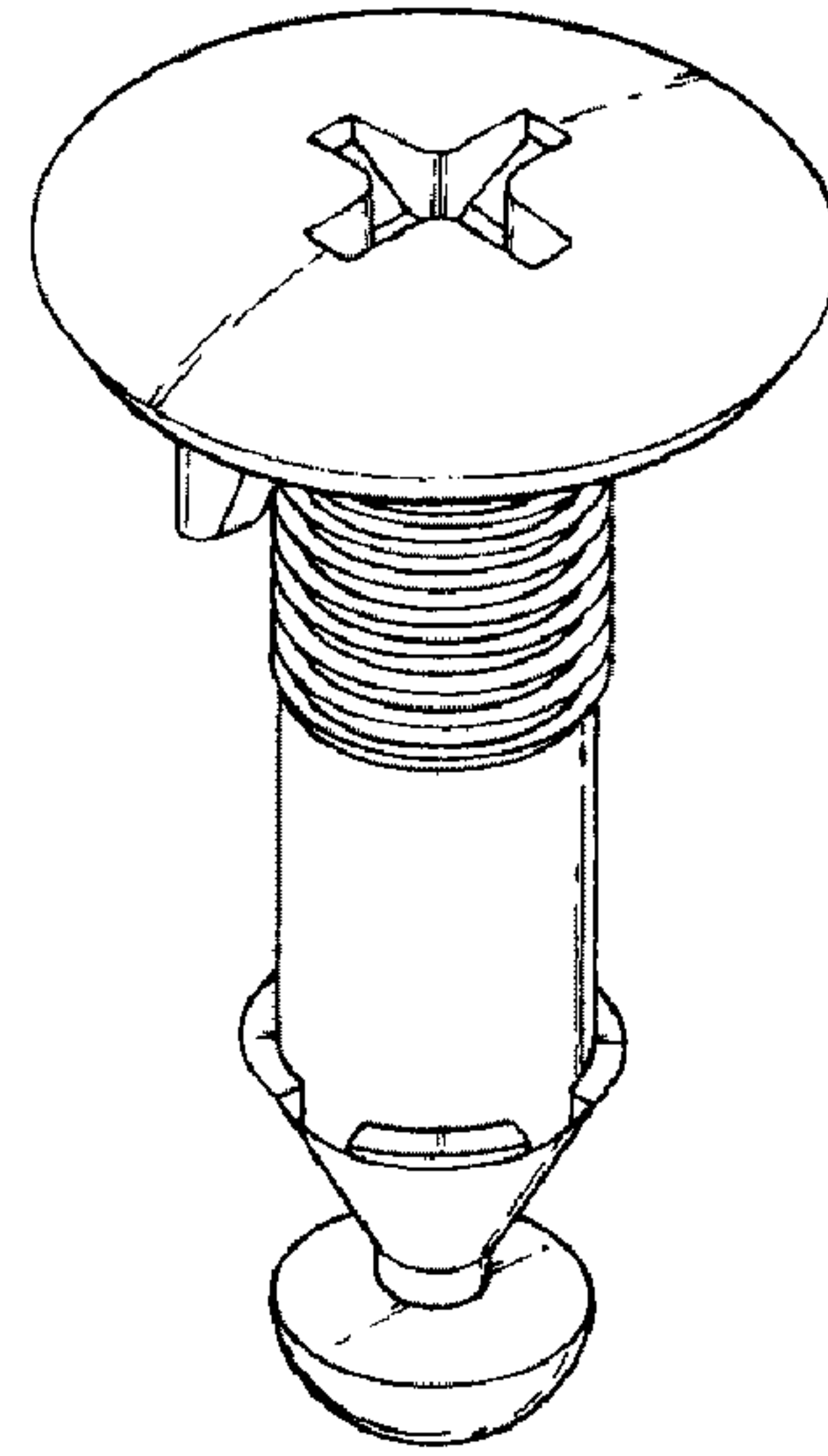


Fig. 2

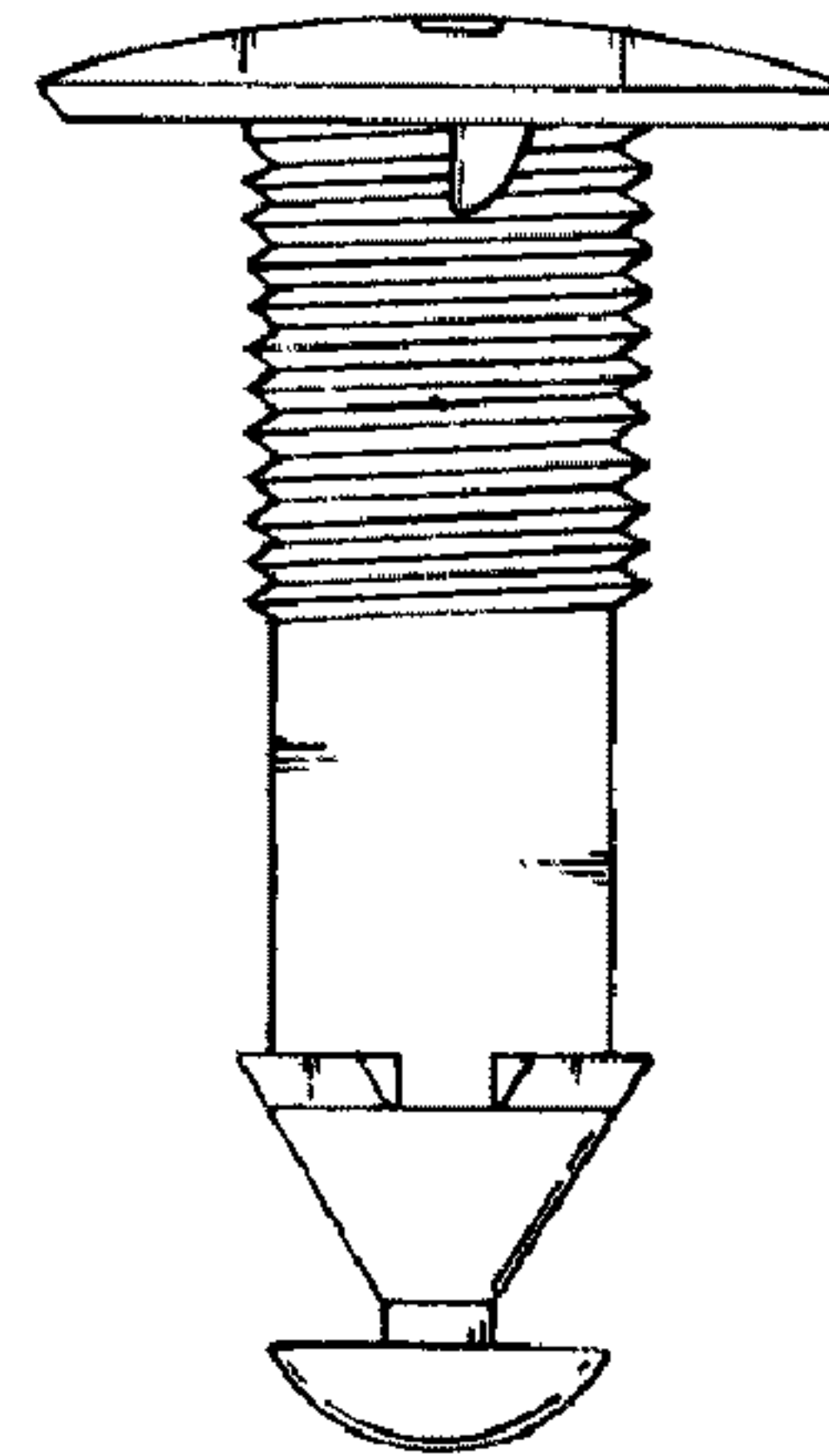


Fig. 3

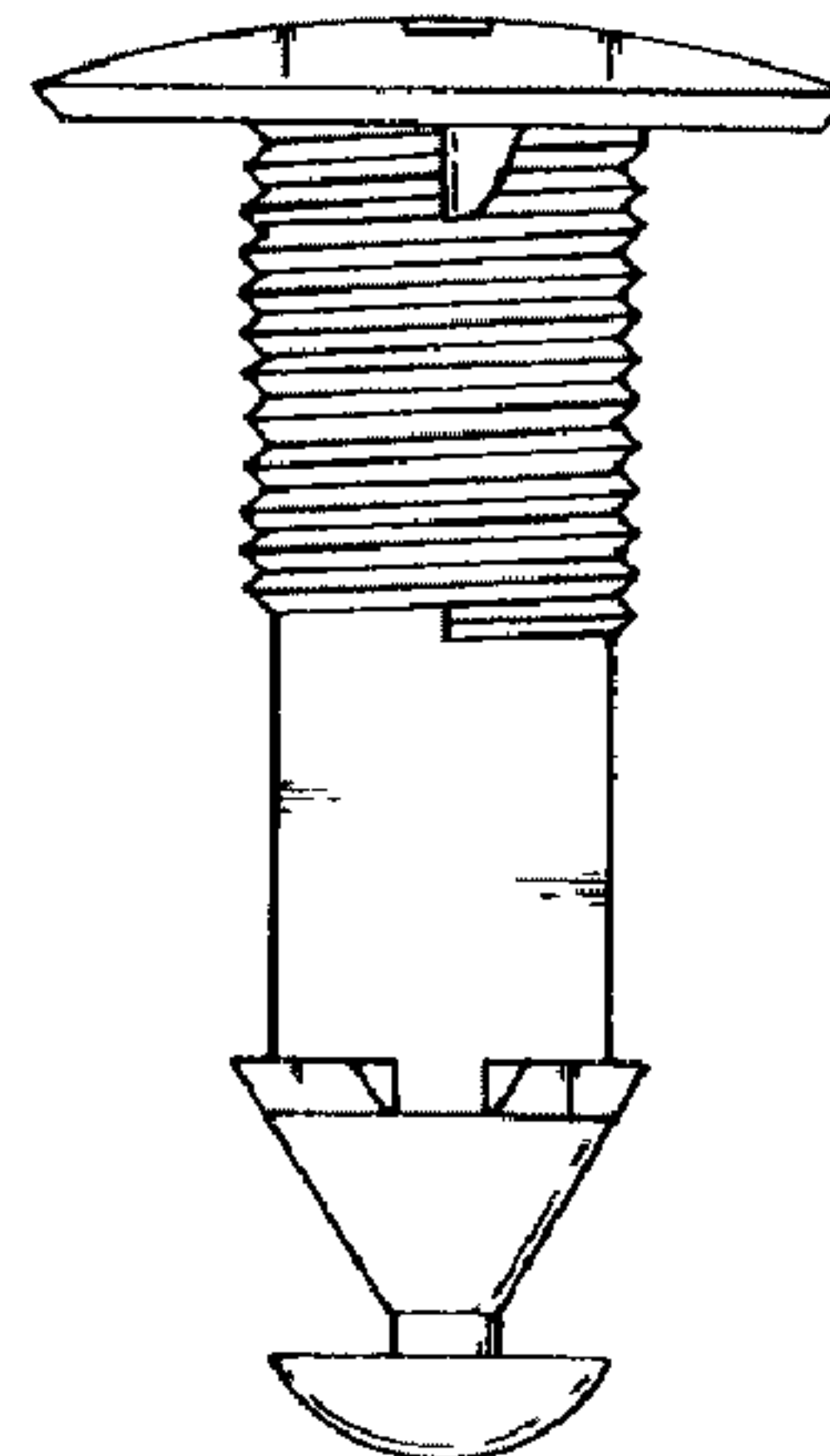


Fig. 4

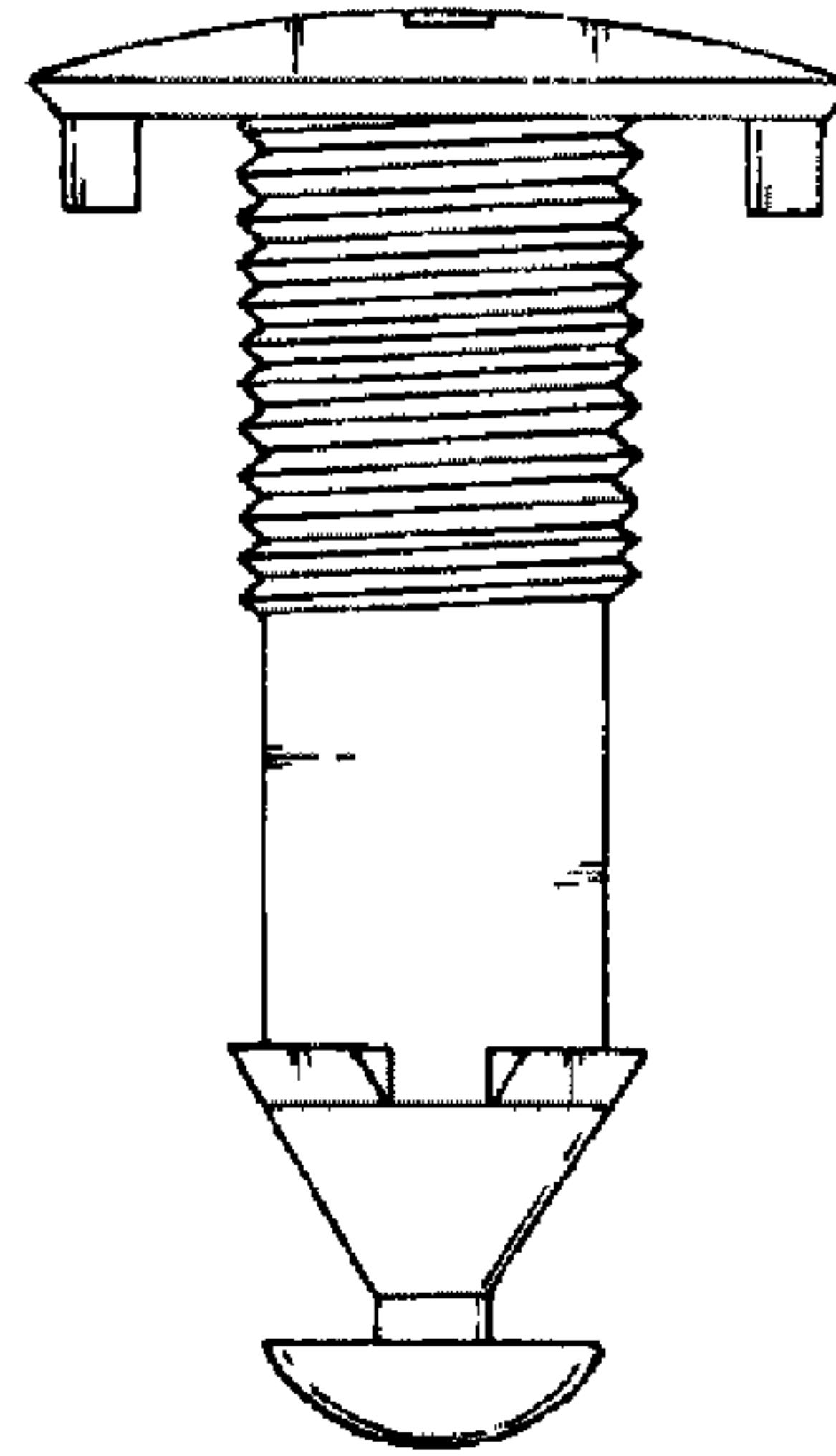


Fig. 5

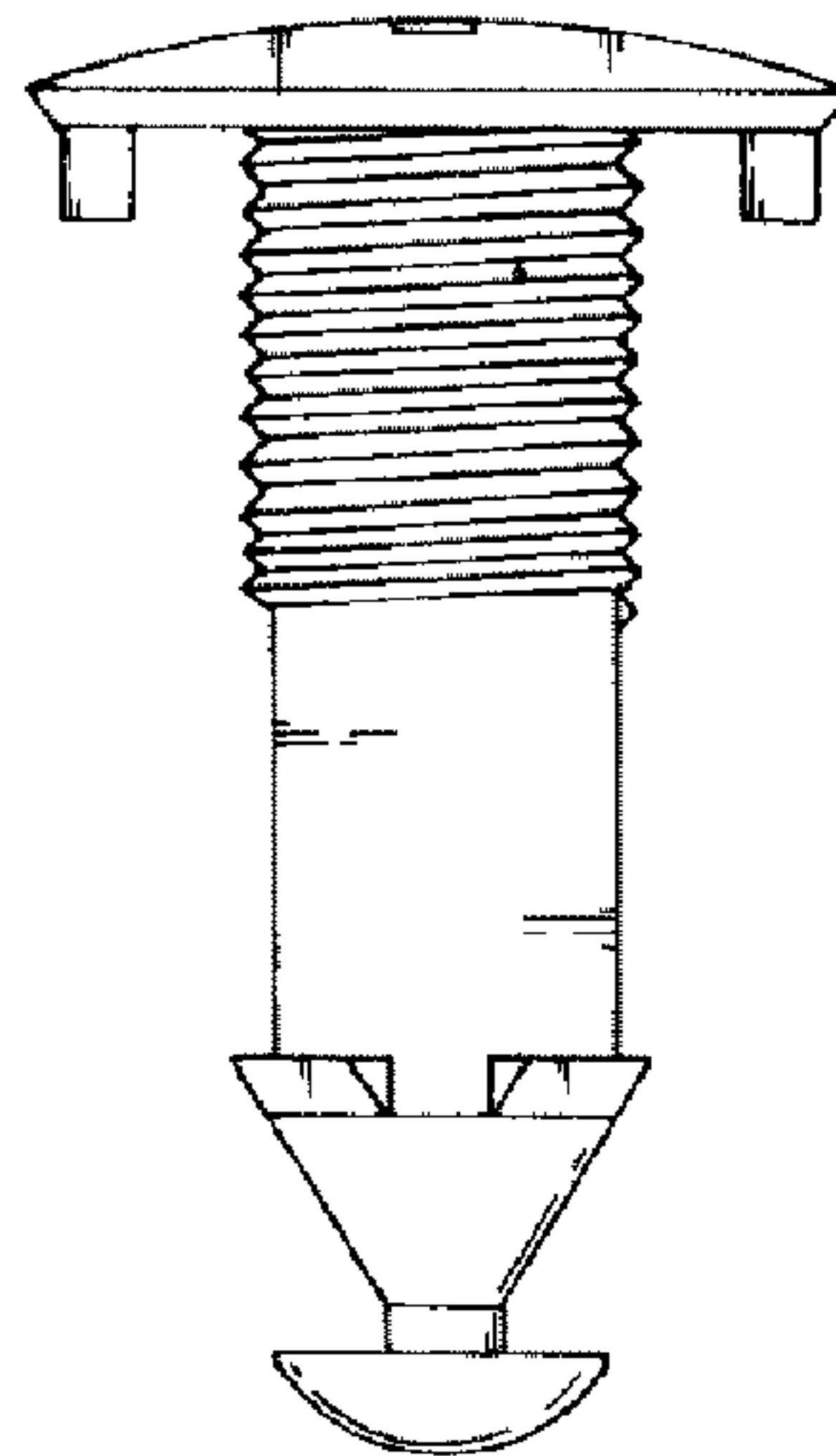


Fig. 6

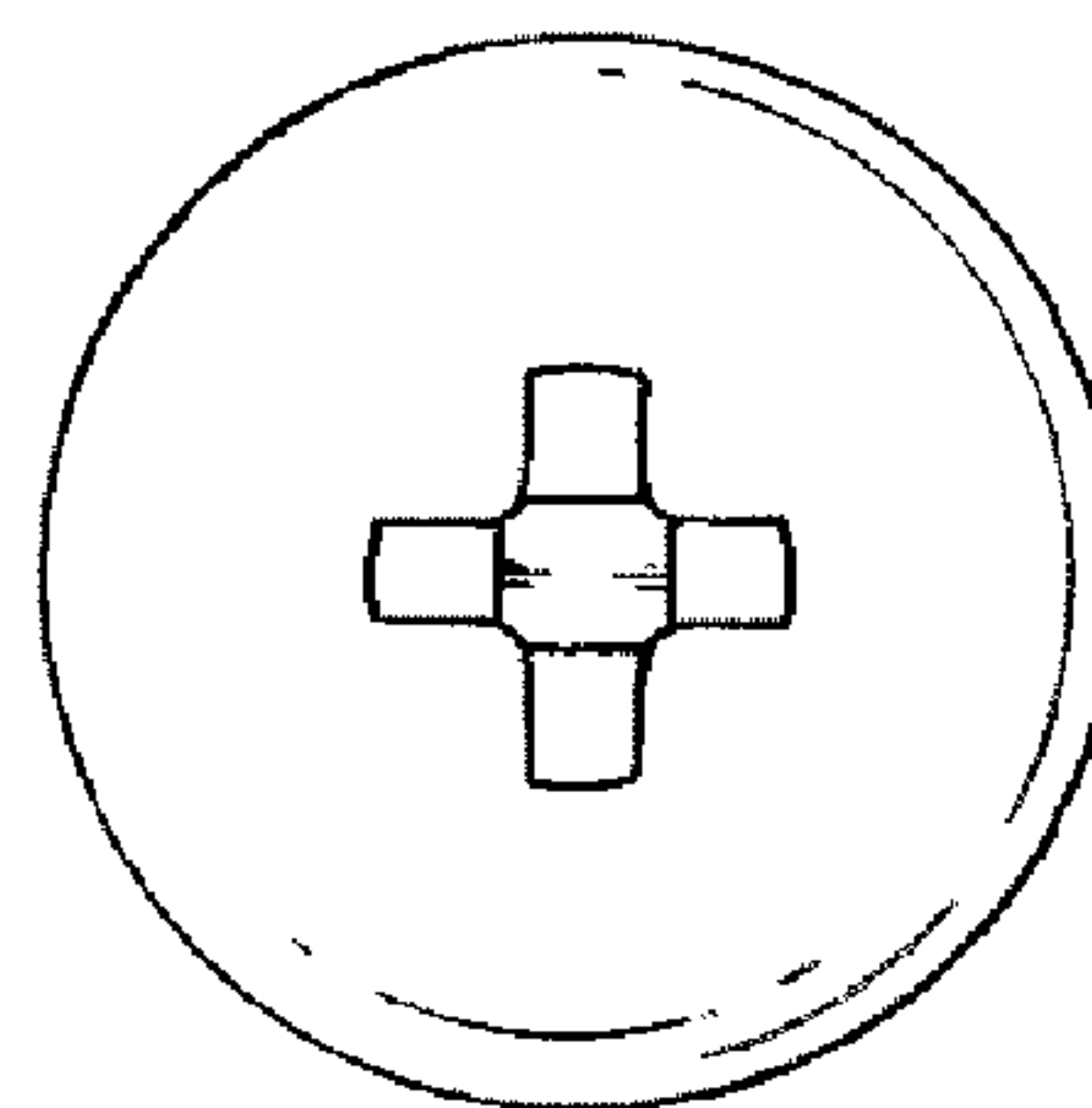


Fig. 7

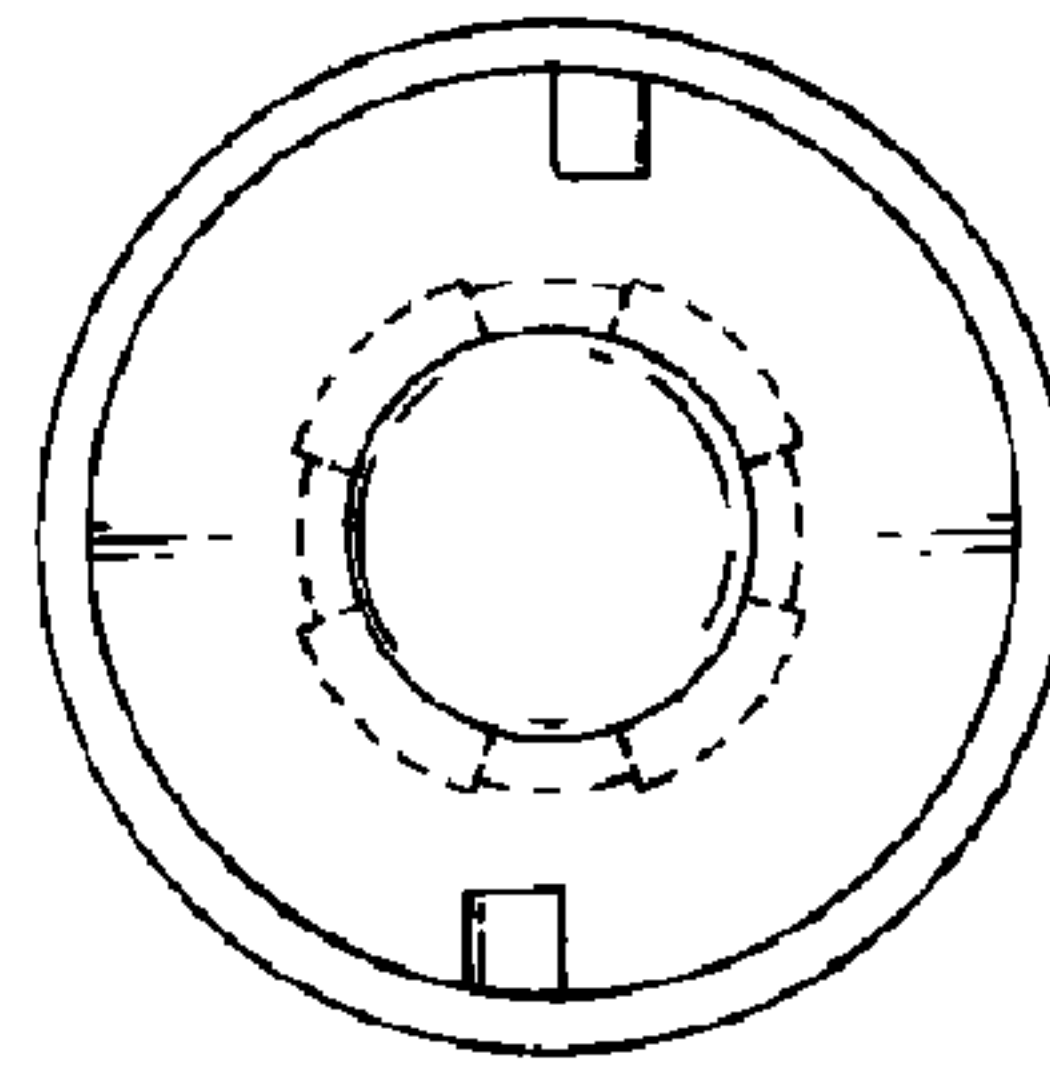


Fig. 8

