



US00D654353S

(12) **United States Design Patent**
Tabler

(10) **Patent No.:** **US D654,353 S**

(45) **Date of Patent:** **** Feb. 21, 2012**

(54) **CONNECTOR**

(76) Inventor: **Charles P. Tabler**, Cincinnati, OH (US)

(**) Term: **14 Years**

(21) Appl. No.: **29/378,293**

(22) Filed: **Nov. 2, 2010**

(51) **LOC (9) Cl.** **08-08**

(52) **U.S. Cl.** **D8/382**

(58) **Field of Classification Search** D8/349,
D8/382; D25/133; 256/65.01, 65.03, 65.07,
256/65; 403/385, 391, 3, 400, 300, 305,
403/217; 248/62-65, 74.1, 200.1, 262; D23/262,
D23/266

See application file for complete search history.

(56) **References Cited**

U.S. PATENT DOCUMENTS

374,906	A	12/1887	Rovane	
1,361,464	A	12/1920	Hunt	
2,763,096	A	9/1956	Roger	
3,113,400	A	12/1963	Emond	
4,005,548	A	2/1977	Nahon	
4,026,068	A	5/1977	Tepper	
4,073,091	A	2/1978	Vogel	
4,655,000	A	4/1987	Swick et al.	
4,785,576	A	11/1988	Morgan	
4,922,653	A	5/1990	Stone	
5,048,231	A	9/1991	Brown	
5,323,559	A	6/1994	Allman	
5,640,802	A	6/1997	Elliott	
D380,374	S *	7/1997	Murakami	D8/382
D418,396	S *	1/2000	Hirano et al.	D8/382
D419,405	S	1/2000	Wagoner	
D455,950	S *	4/2002	Unwin et al.	D8/382
D466,765	S	12/2002	Barbi et al.	
D488,704	S *	4/2004	Mercier	D8/354
6,718,691	B2	4/2004	Taylor	
D509,714	S	9/2005	Speed et al.	
7,017,299	B1	3/2006	Speed et al.	

7,062,836	B1 *	6/2006	Sorgi	29/525.01
7,188,448	B2	3/2007	Sedlacek	
D542,611	S	5/2007	Wilson	
7,219,467	B1	5/2007	Branman	
7,281,352	B2	10/2007	Peck	
D564,781	S	3/2008	Fessak	
D576,026	S *	9/2008	Mazzocco	D8/382

(Continued)

OTHER PUBLICATIONS

“How to Make a PVC Tomato Cage,” doityourself, <http://www.doityourself.com/stry/how-to-make-a-pvc-tomato-cage> (printed May 27, 2010—publication date unknown—treat as prior art) pp. 1-3.

(Continued)

Primary Examiner — Cynthia M Chin

Assistant Examiner — Sheryl Lane

(74) *Attorney, Agent, or Firm* — Frost Brown Todd LLC

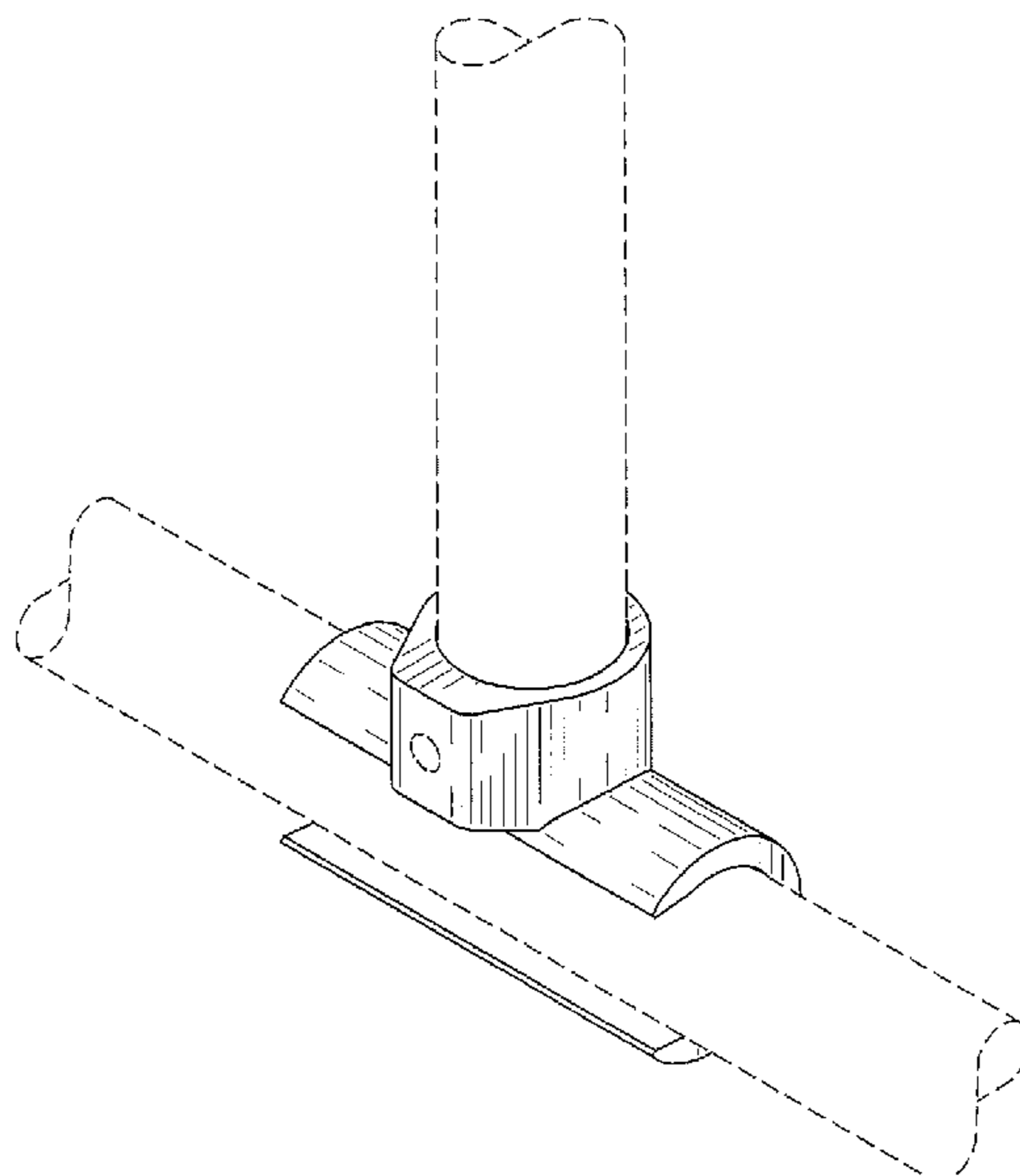
(57) **CLAIM**

The ornamental design for a connector, as shown and described.

DESCRIPTION

FIG. 1 is a perspective view of a connector.
FIG. 2 is a front plan view thereof.
FIG. 3 is a back plan view thereof.
FIG. 4 is a side plan view thereof.
FIG. 5 is a side plan view thereof, opposite the side plan view of FIG. 4.
FIG. 6 is a top elevation view thereof.
FIG. 7 is a bottom elevation view thereof; and,
FIG. 8 is a perspective view of the connector of FIG. 1 shown in an environment as part of a plant cage.
The broken lines in the drawings are included for purposes of illustrating portions of the support and connector that form no part of the claimed design.

1 Claim, 6 Drawing Sheets



US D654,353 S

Page 2

U.S. PATENT DOCUMENTS

D583,655 S * 12/2008 Mazzocco D8/382
7,478,501 B2 1/2009 Wilbanks, Jr. et al.
D615,831 S 5/2010 Whitney et al.
D626,405 S * 11/2010 Goad D8/382
D637,477 S * 5/2011 Wall D8/382
2005/0039394 A1 2/2005 Kelly
2005/0144839 A1 7/2005 Morgan et al.
2006/0053689 A1 3/2006 Smith
2008/0256856 A1 10/2008 Rosaen
2009/0056212 A1 3/2009 Rich et al.

OTHER PUBLICATIONS

“How to Make a Tomato Cage out of PVC,” eHow, http://www.ehow.com/how_5026321_make-tomato-cage-out-pvc.html (printed May 27, 2010—publication date unknown—treat as prior art) pp. 1-3.
“Our Indestructible Tomato Cage,” Mother Earth News, <http://www.motherearthnews.com/Organic-Gardening/1997-02-01/The-Recycled-Indestructible> (printed May 27, 2010, dated Feb. 1, 1997) pp. 1-3.
Spears Connector Fittings (Date unknown—Treat as prior art).

* cited by examiner

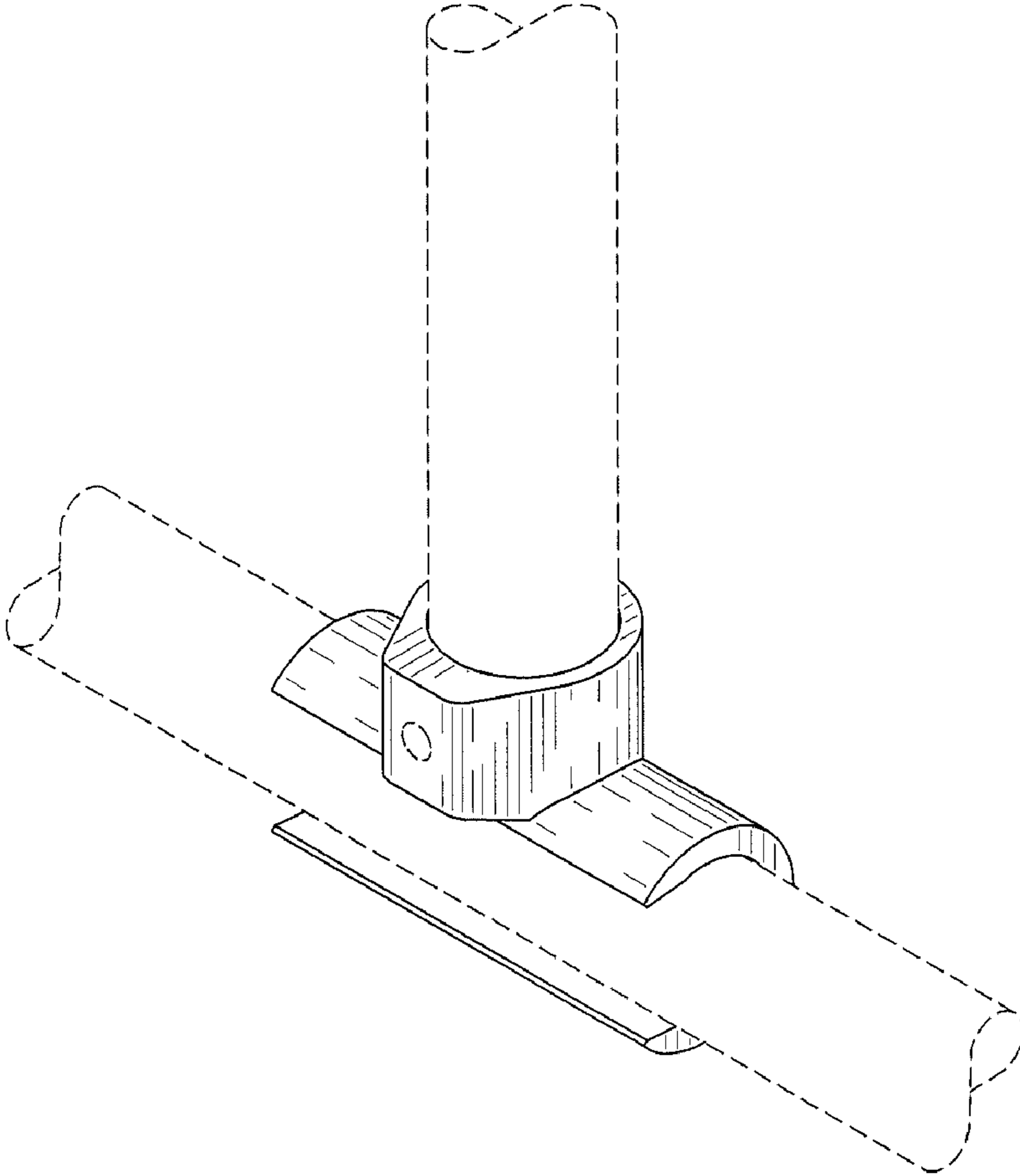


FIG. 1

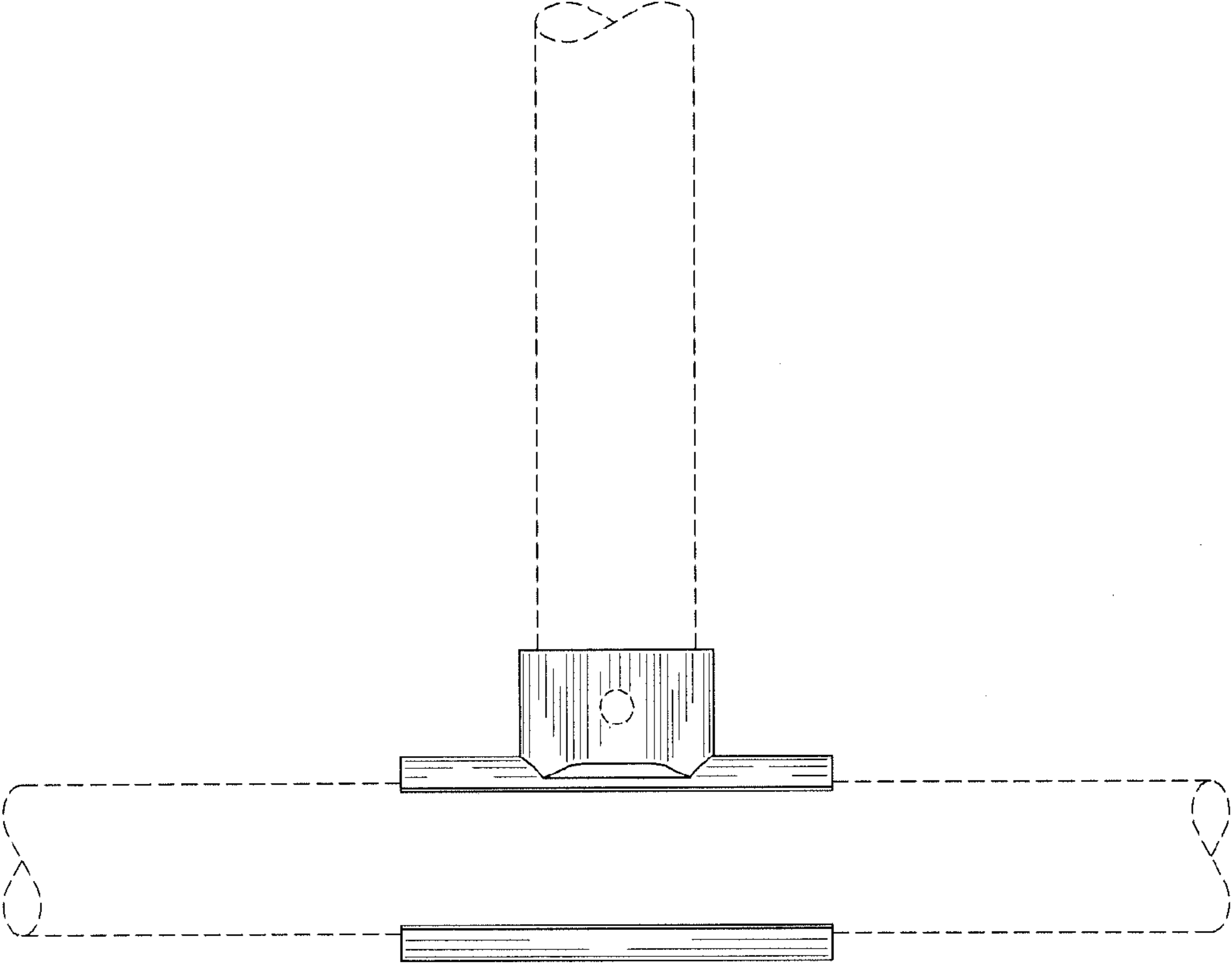


FIG. 2

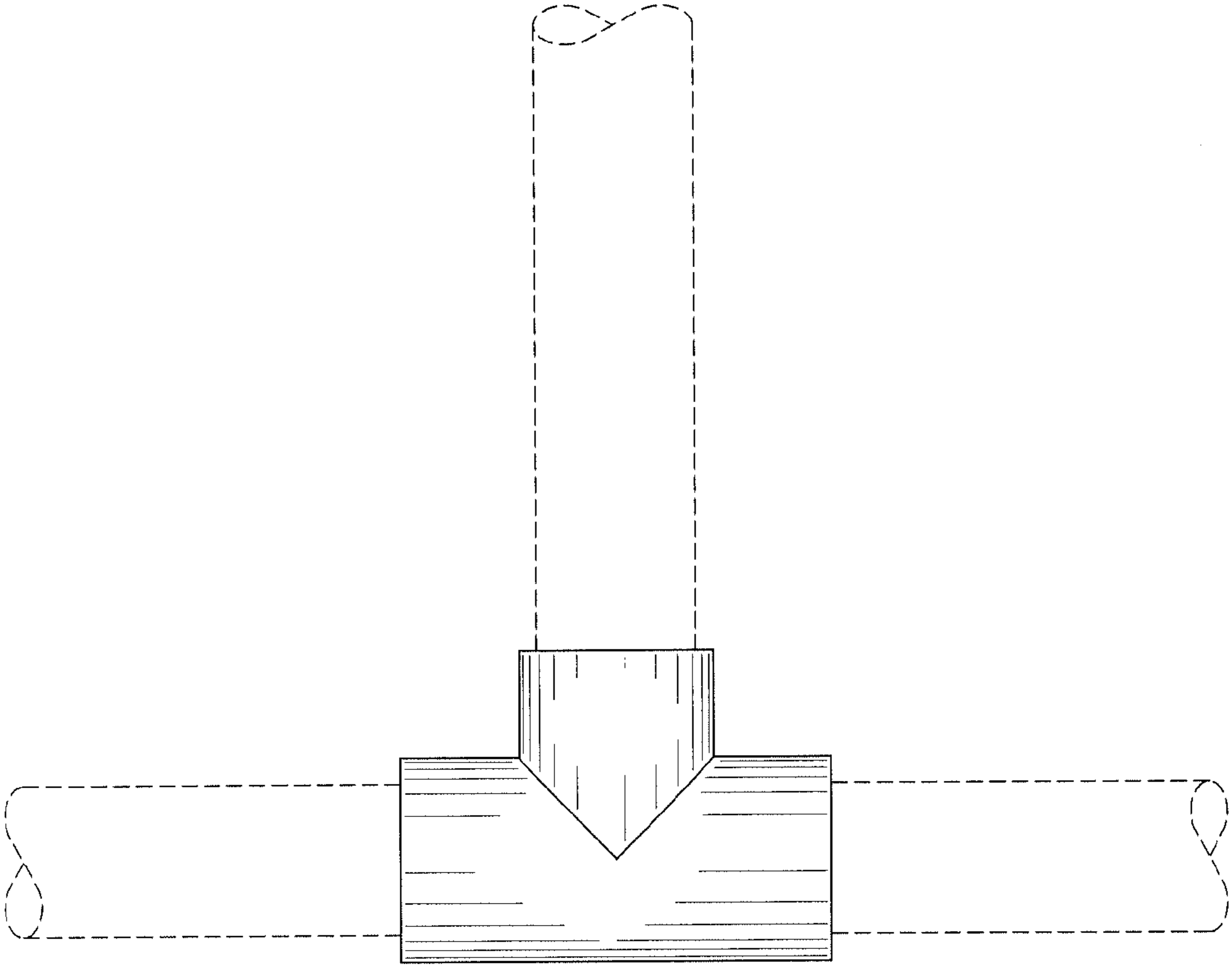


FIG. 3

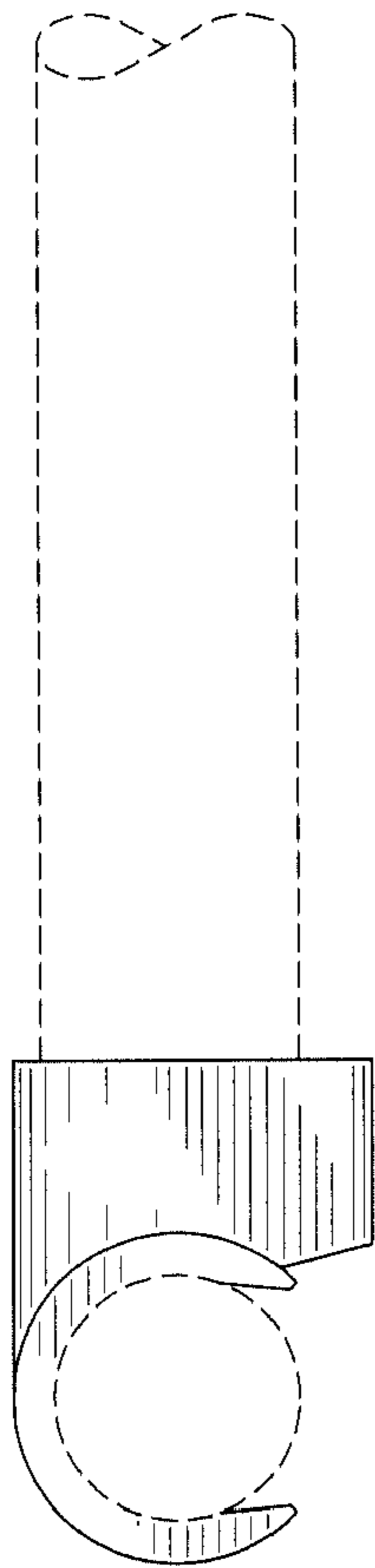


FIG. 4

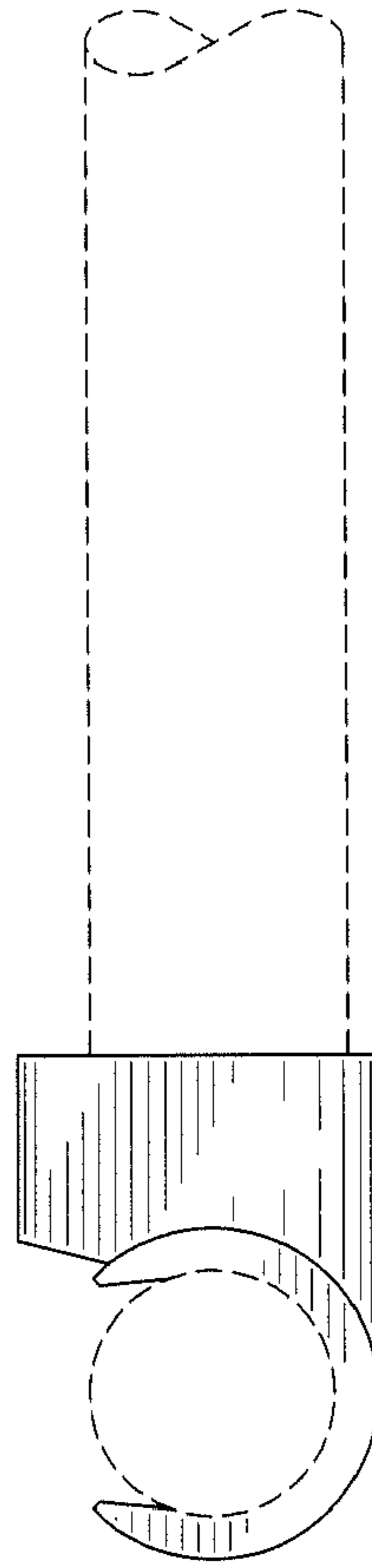


FIG. 5

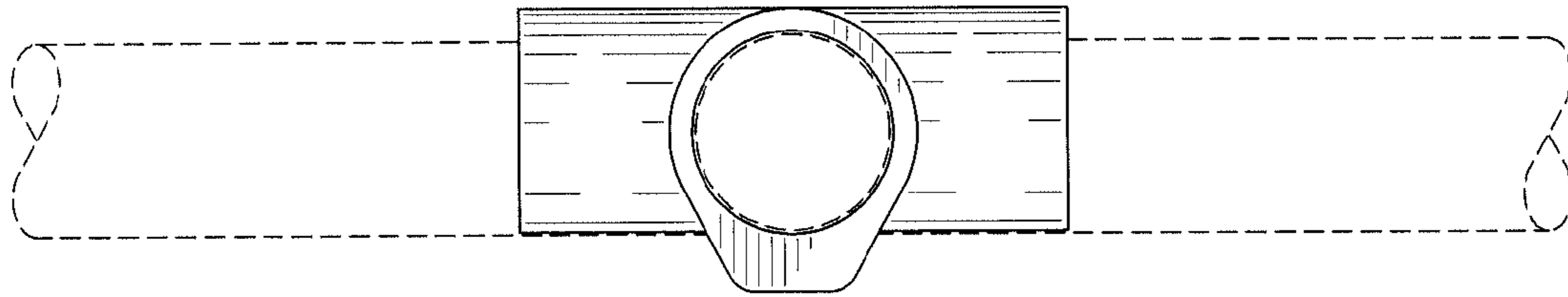


FIG. 6

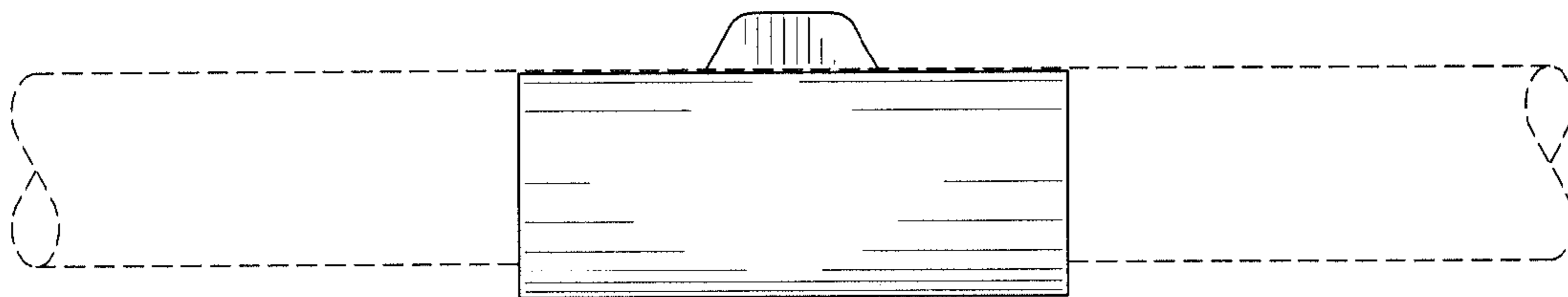


FIG. 7

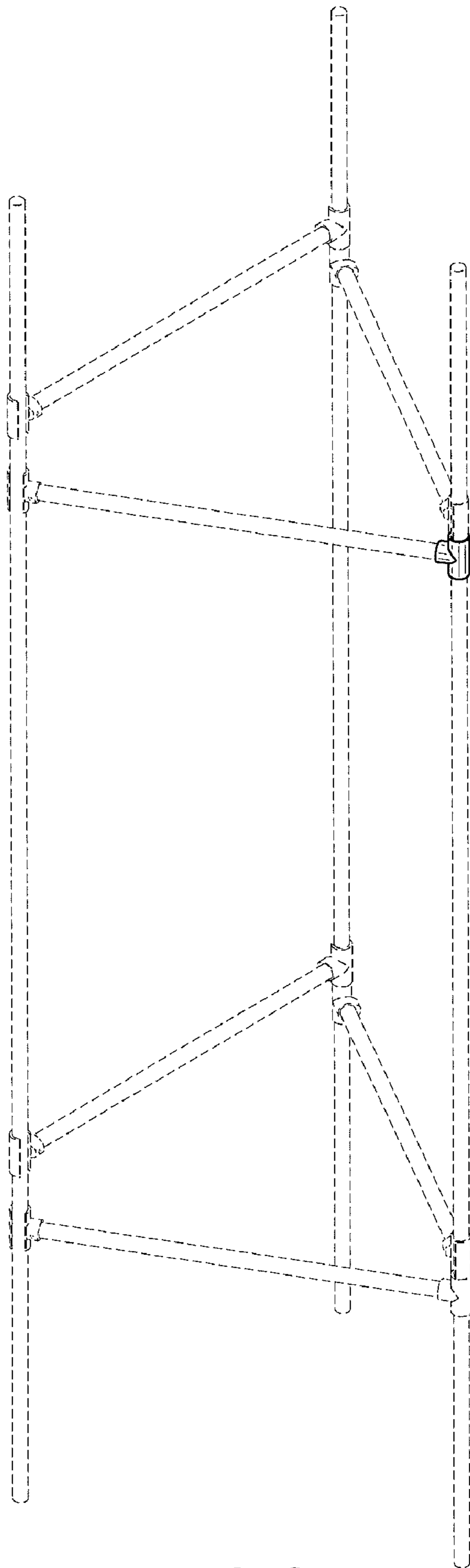


FIG. 8