



US00D654352S

(12) **United States Design Patent**
Blocker

(10) **Patent No.:** **US D654,352 S**

(45) **Date of Patent:** **** Feb. 21, 2012**

(54) **LOOPED LINKAGE GARDEN EDGING DEVICE**

(76) Inventor: **Lloyd Blocker**, Bastrop, LA (US)

(**) Term: **14 Years**

(21) Appl. No.: **29/397,043**

(22) Filed: **Jul. 11, 2011**

(51) **LOC (9) Cl.** **08-05**

(52) **U.S. Cl.** **D8/367**

(58) **Field of Classification Search** D8/356,
D8/354, 367, 349, 330, 383; 439/501; 70/421,
70/371, 369, 208

See application file for complete search history.

(56) **References Cited**

U.S. PATENT DOCUMENTS

D32,654	S	*	5/1900	Kroder	D8/367
3,390,889	A	*	7/1968	Grover	277/440
3,655,154	A	*	4/1972	Orts	248/27.1
4,533,149	A	*	8/1985	Vater et al.	277/499
D311,486	S	*	10/1990	Hickman	D8/358
5,412,956	A	*	5/1995	Levy	63/15.65
5,413,502	A	*	5/1995	Wang	439/551
5,746,067	A	*	5/1998	Leach et al.	63/7
5,934,685	A	*	8/1999	Danzer	277/499
D523,328	S	*	6/2006	Ramos	D8/382
7,107,789	B1	*	9/2006	Bruner	63/15.7
D560,469	S	*	1/2008	Bartol et al.	D8/349
7,347,065	B1	*	3/2008	DeGolyer	63/7
D642,045	S	*	7/2011	Sweeney	D8/356
2008/0236195	A1	*	10/2008	Woebke	63/1.14

* cited by examiner

Primary Examiner — Cynthia Underwood

(74) *Attorney, Agent, or Firm* — Larson & Larson, P.A.;
Frank Liebenow; Justin P. Miller

(57) **CLAIM**

I claim the ornamental design for a looped linkage garden edging device, as shown and described.

DESCRIPTION

FIG. 1 is a front elevation view of the looped linkage garden edging device showing my new design;
 FIG. 2 is a rear elevation view thereof;
 FIG. 3 is a left side view thereof;
 FIG. 4 is a right side view thereof;
 FIG. 5 is a top plan view thereof;
 FIG. 6 is a bottom plan view thereof;
 FIG. 7 is a perspective view thereof;
 FIG. 8 is a perspective view thereof;
 FIG. 9 is a perspective view of the looped linkage garden edging device shown in use in transverse arrangement, thereof;
 FIG. 10 is a perspective view of the looped linkage garden edging device shown in use in overlapping, transverse arrangement, prior to insertion of linkage pin thereof; and,
 FIG. 11 is a perspective view of the looped linkage garden edging device shown in use in overlapping, transverse arrangement, with inserted linkage pin thereof.
 The broken lines in FIGS. 9-11 depicting the landscaping wood and linkage pin used to fasten the looped linkage garden edging device are for illustrative purposes only and form no part of the claimed design.

1 Claim, 7 Drawing Sheets

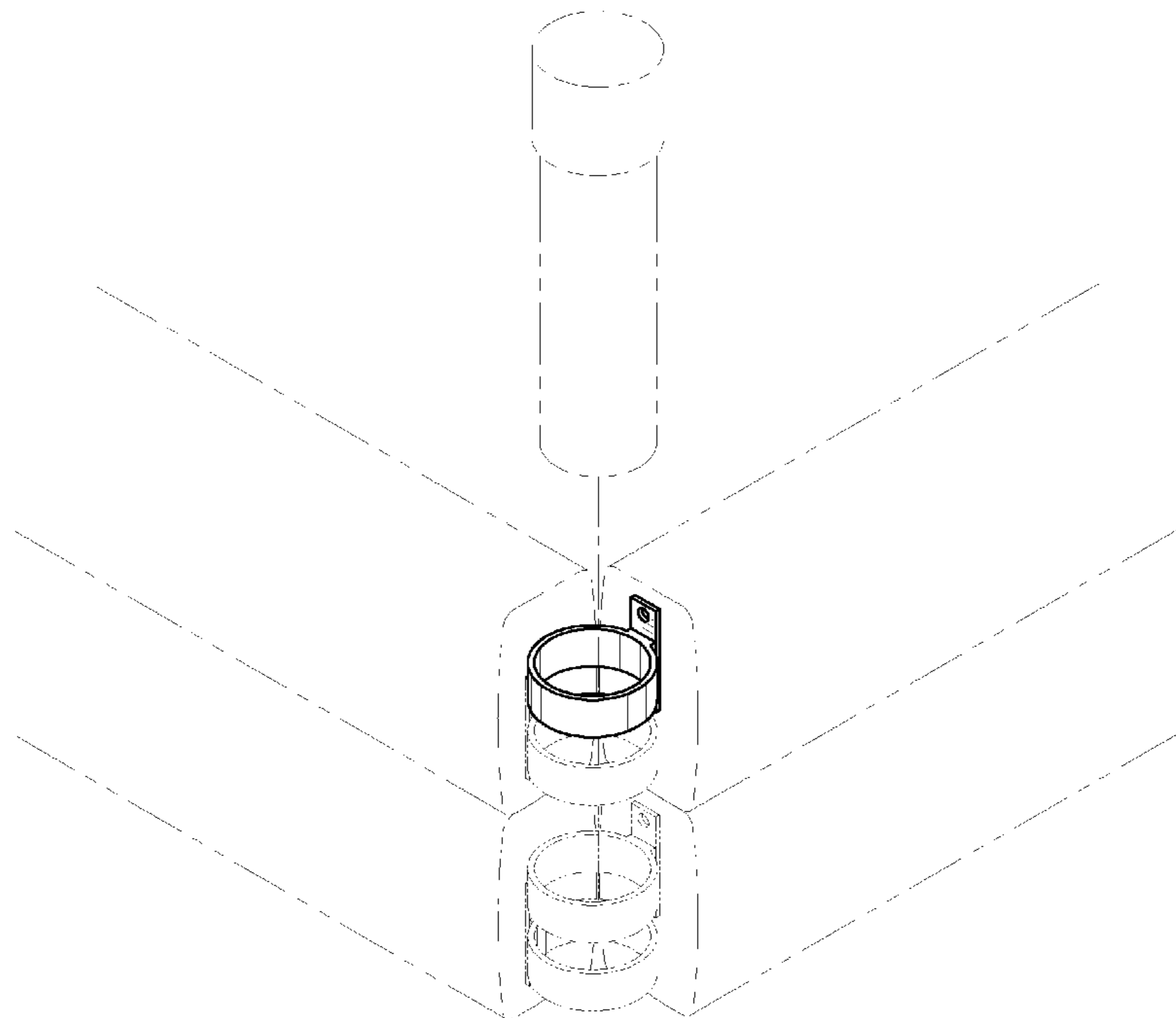
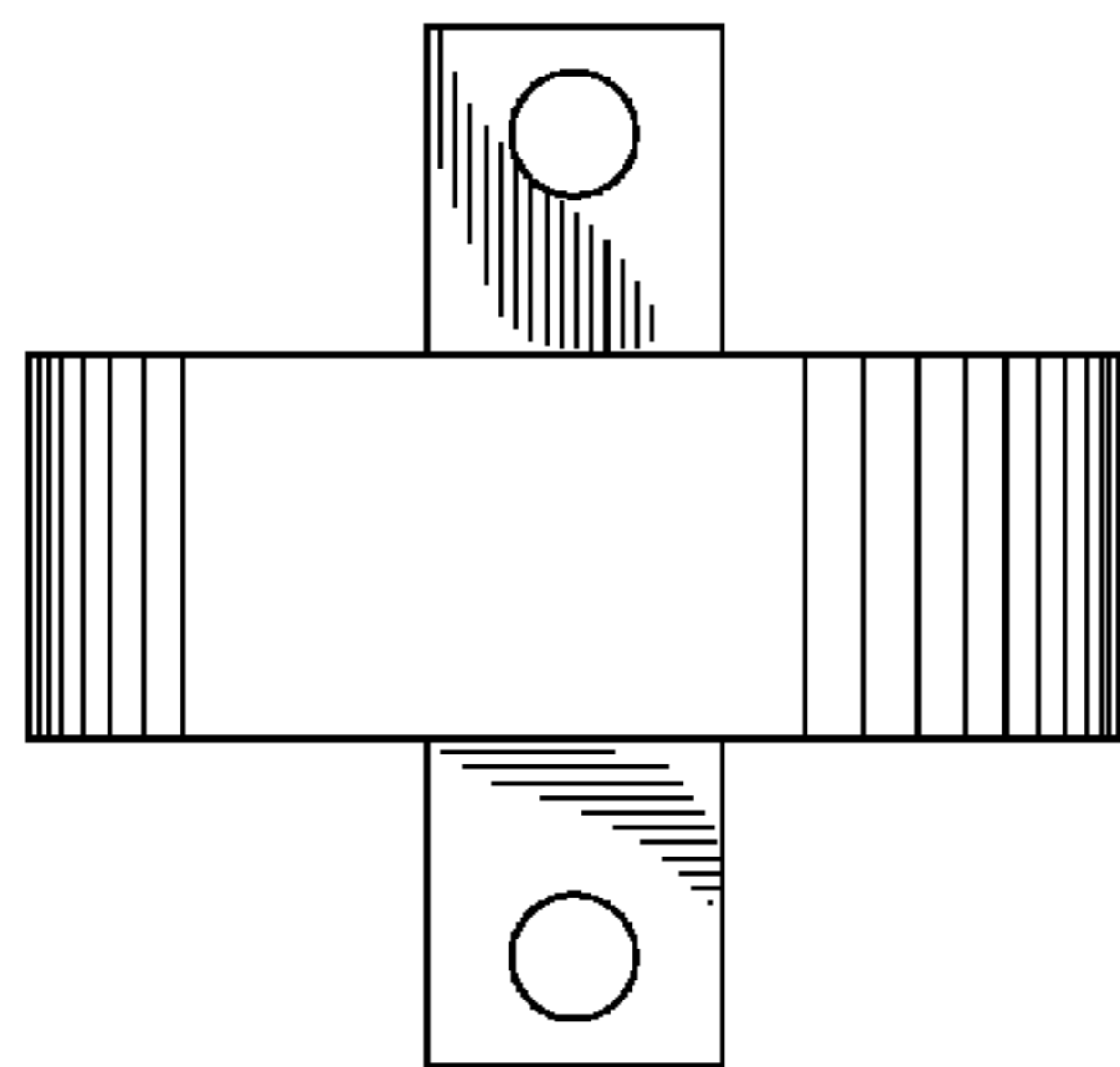


FIG. 1

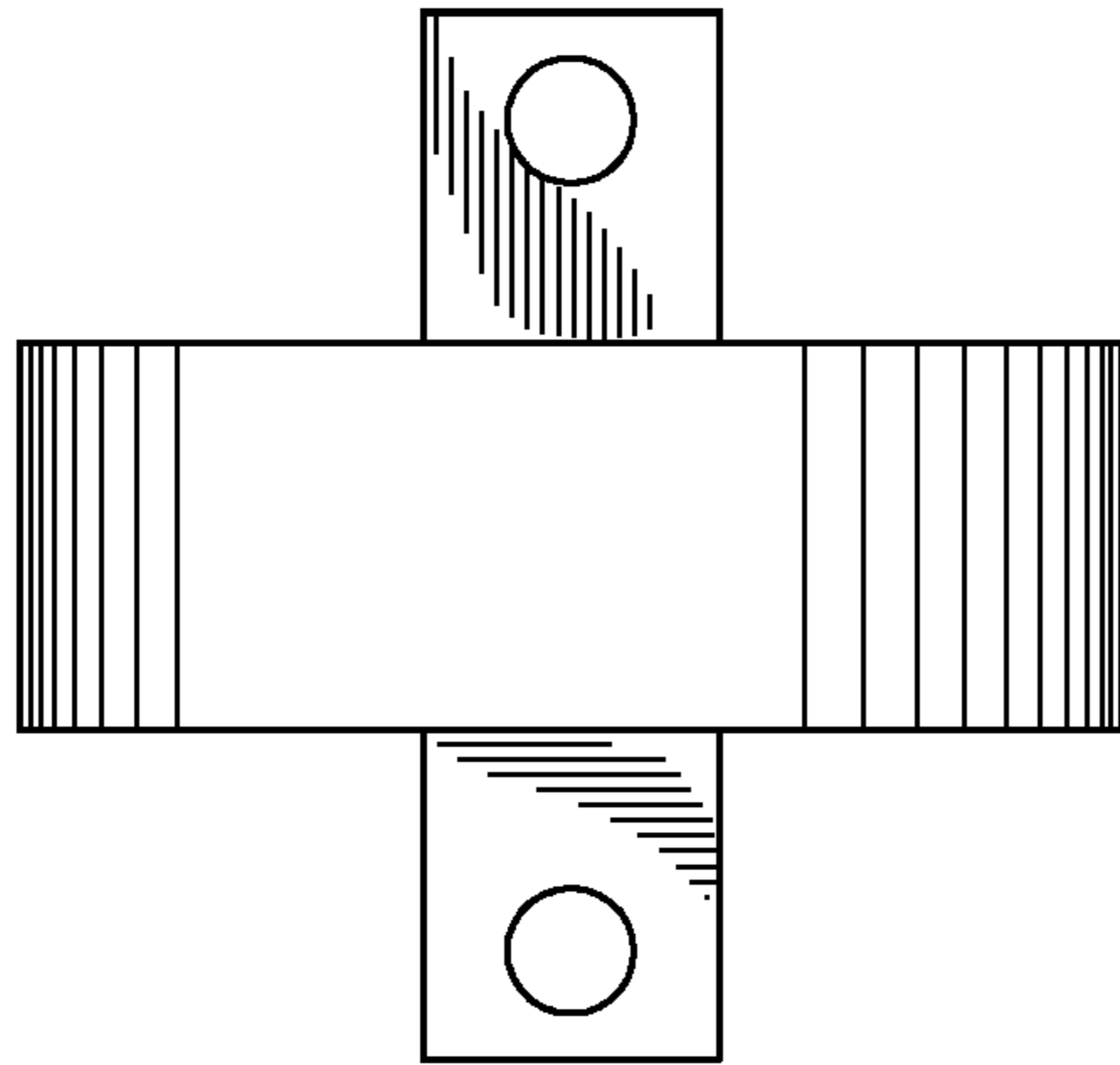


FIG. 2

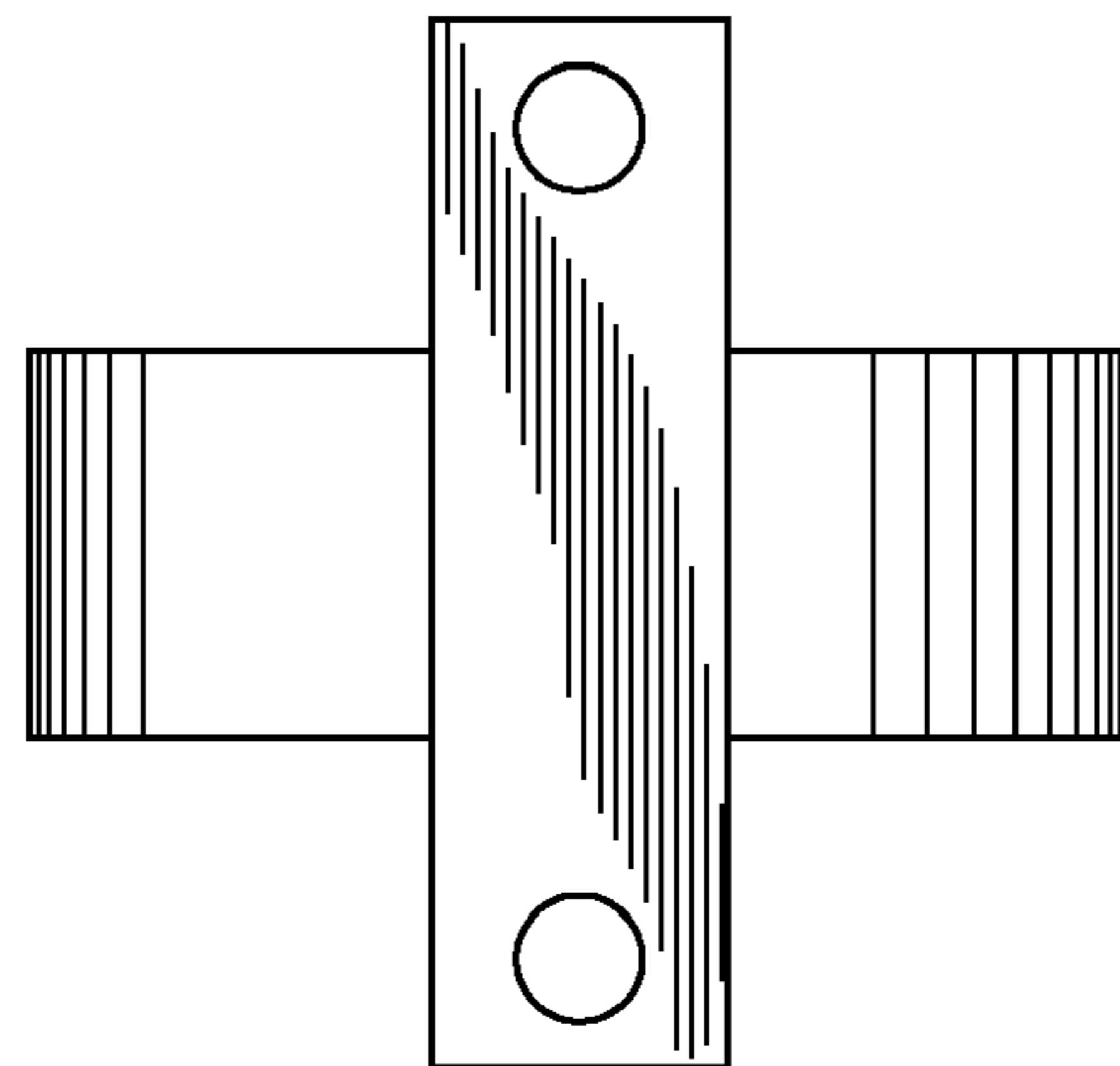


FIG. 3

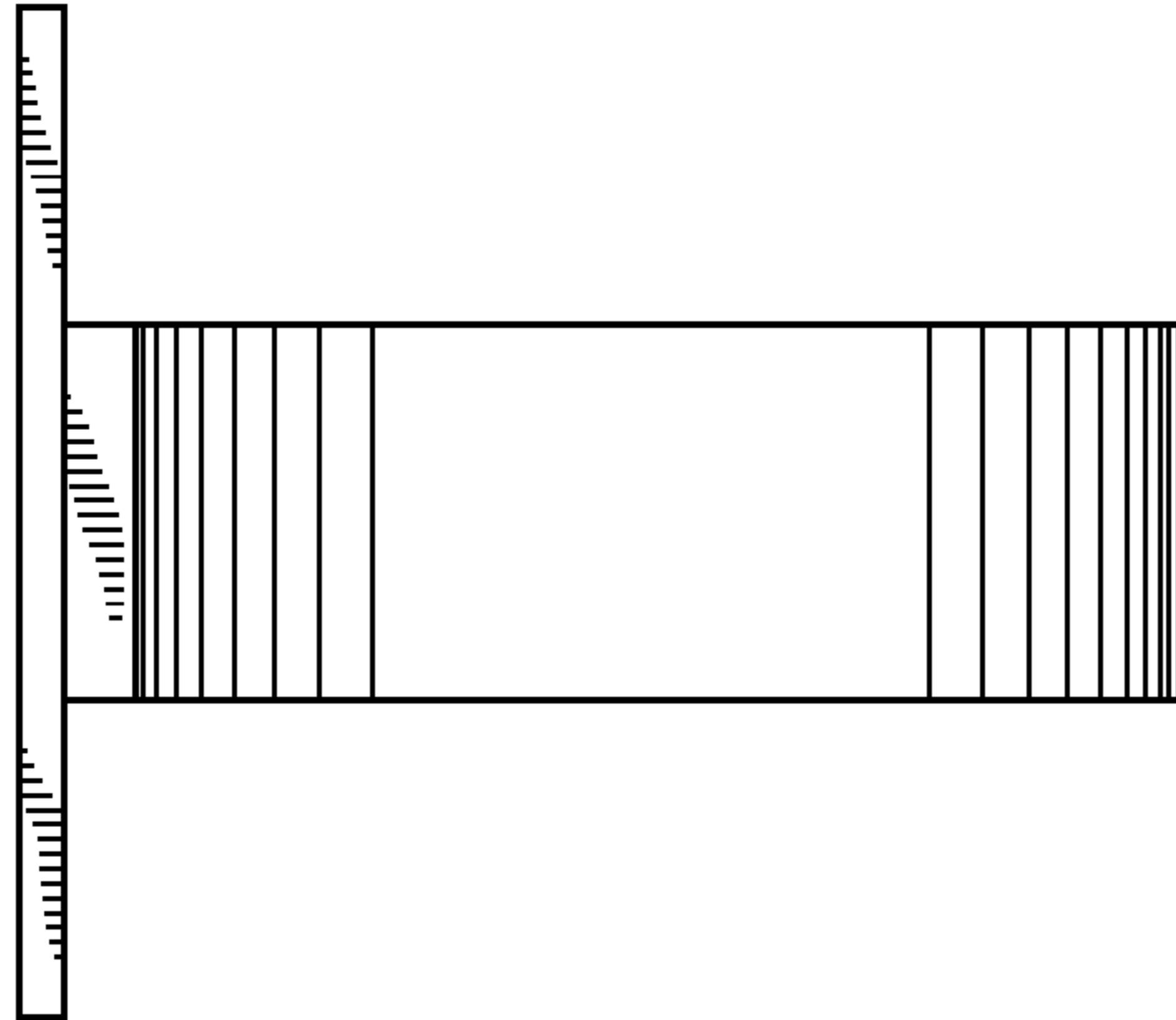


FIG. 4

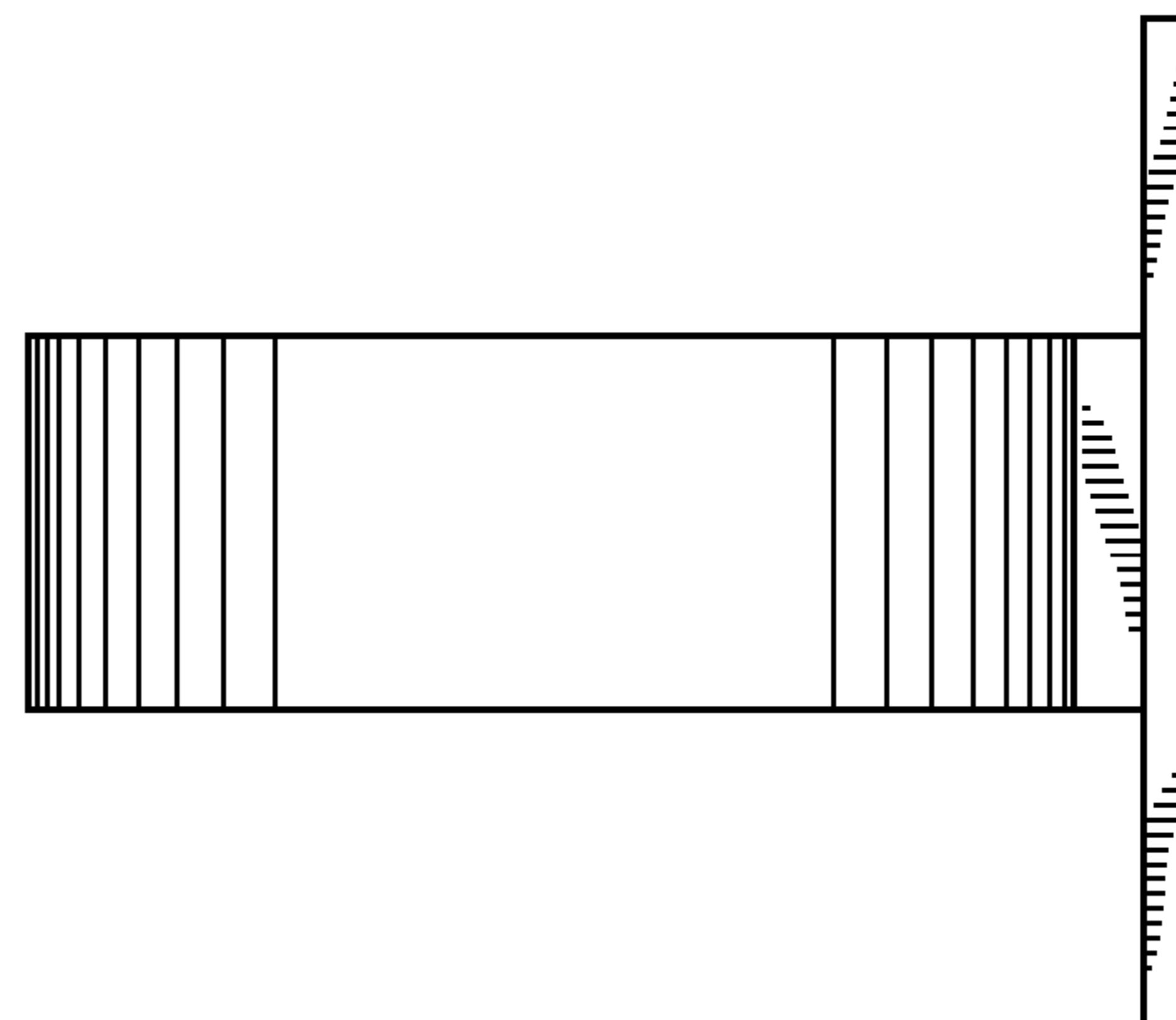


FIG. 5

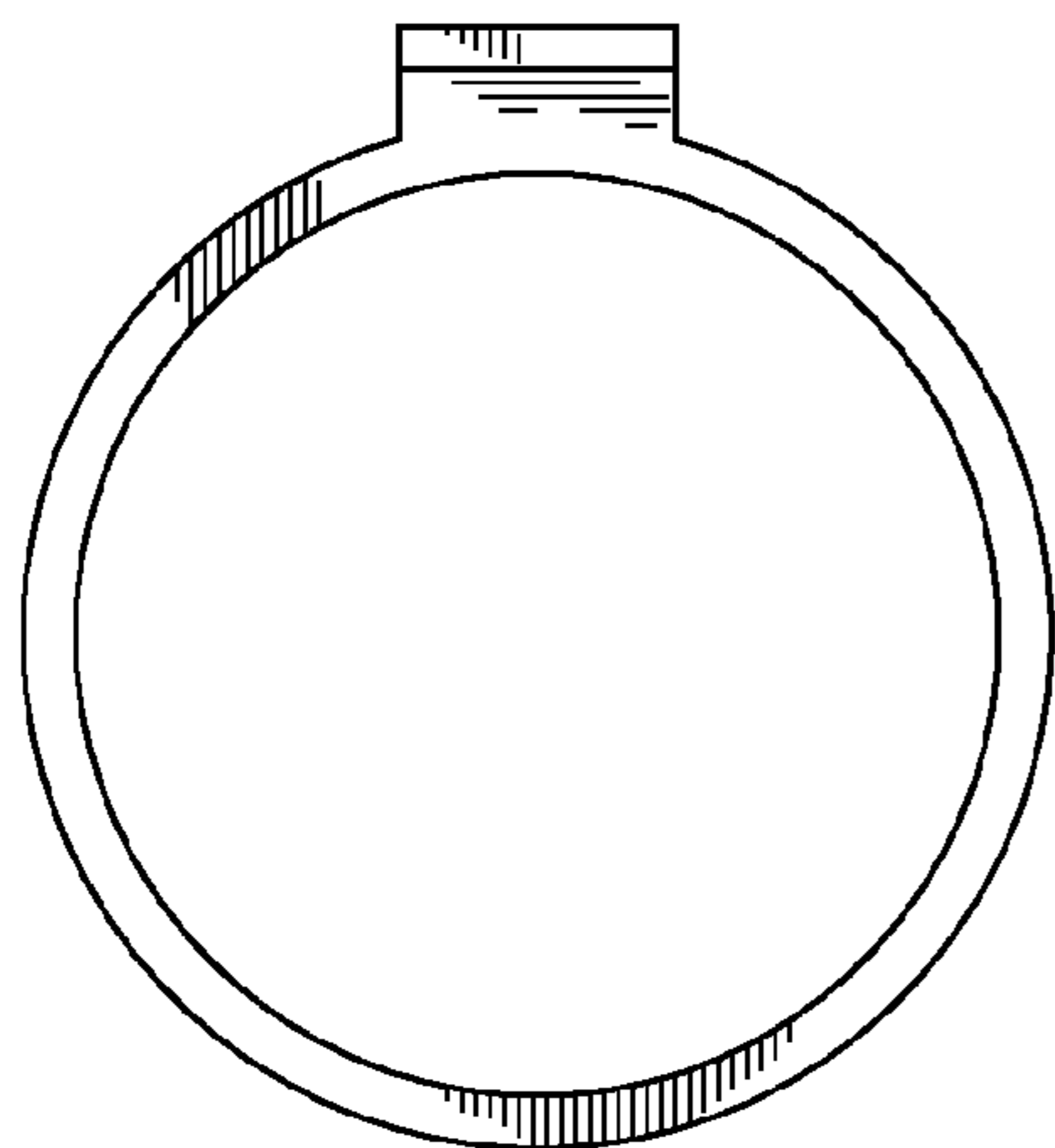


FIG. 6

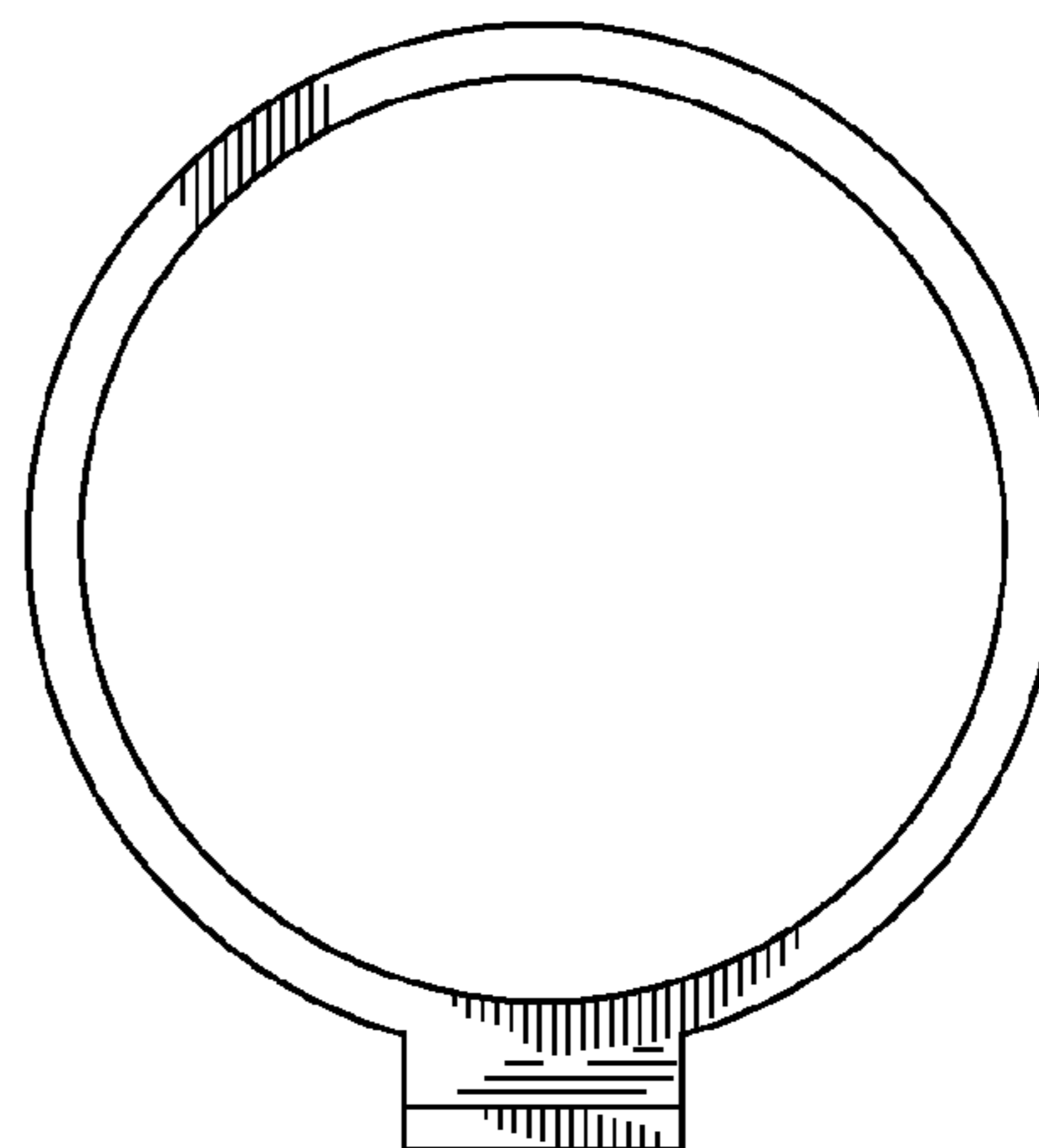


FIG. 7

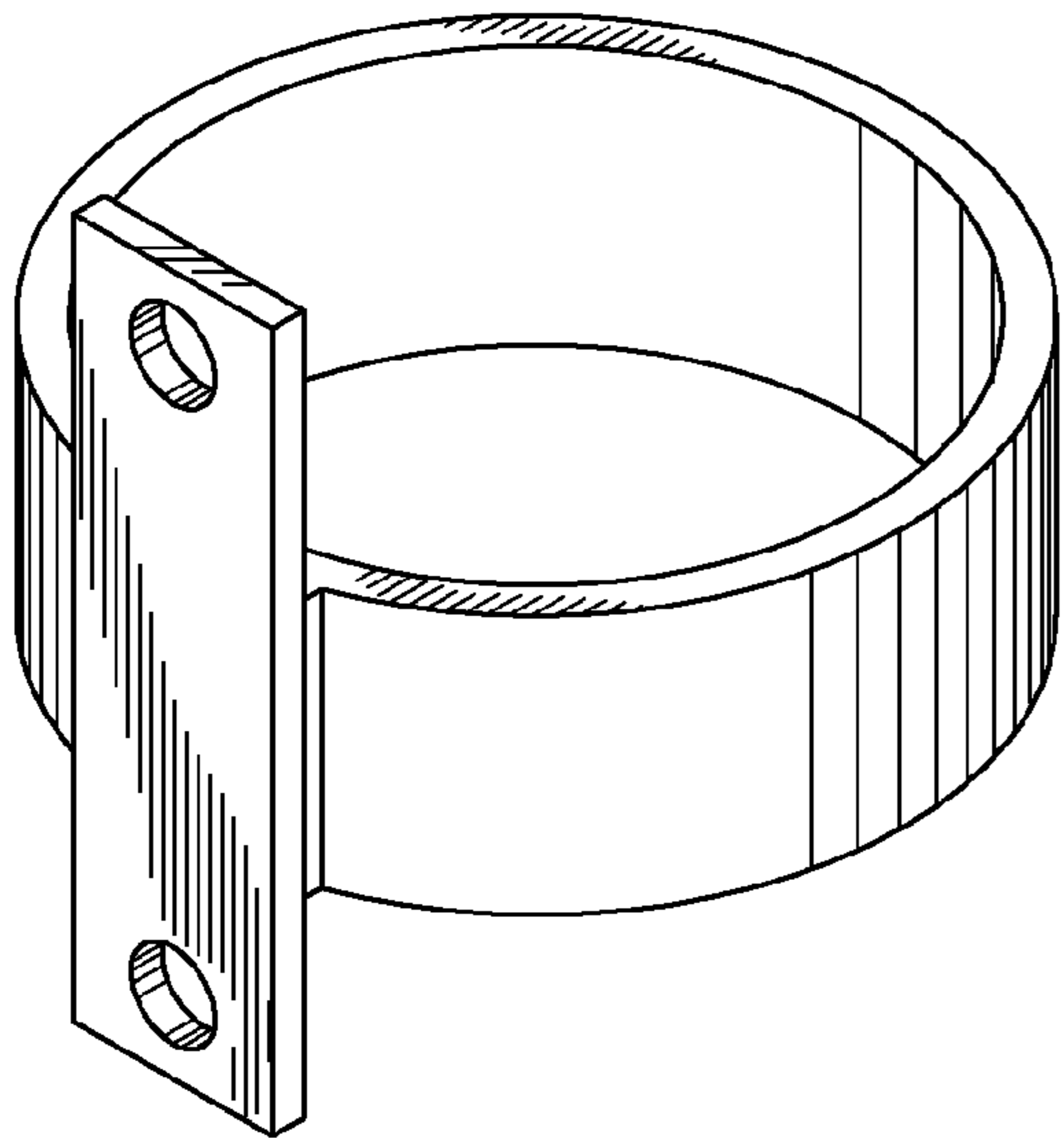


FIG. 8

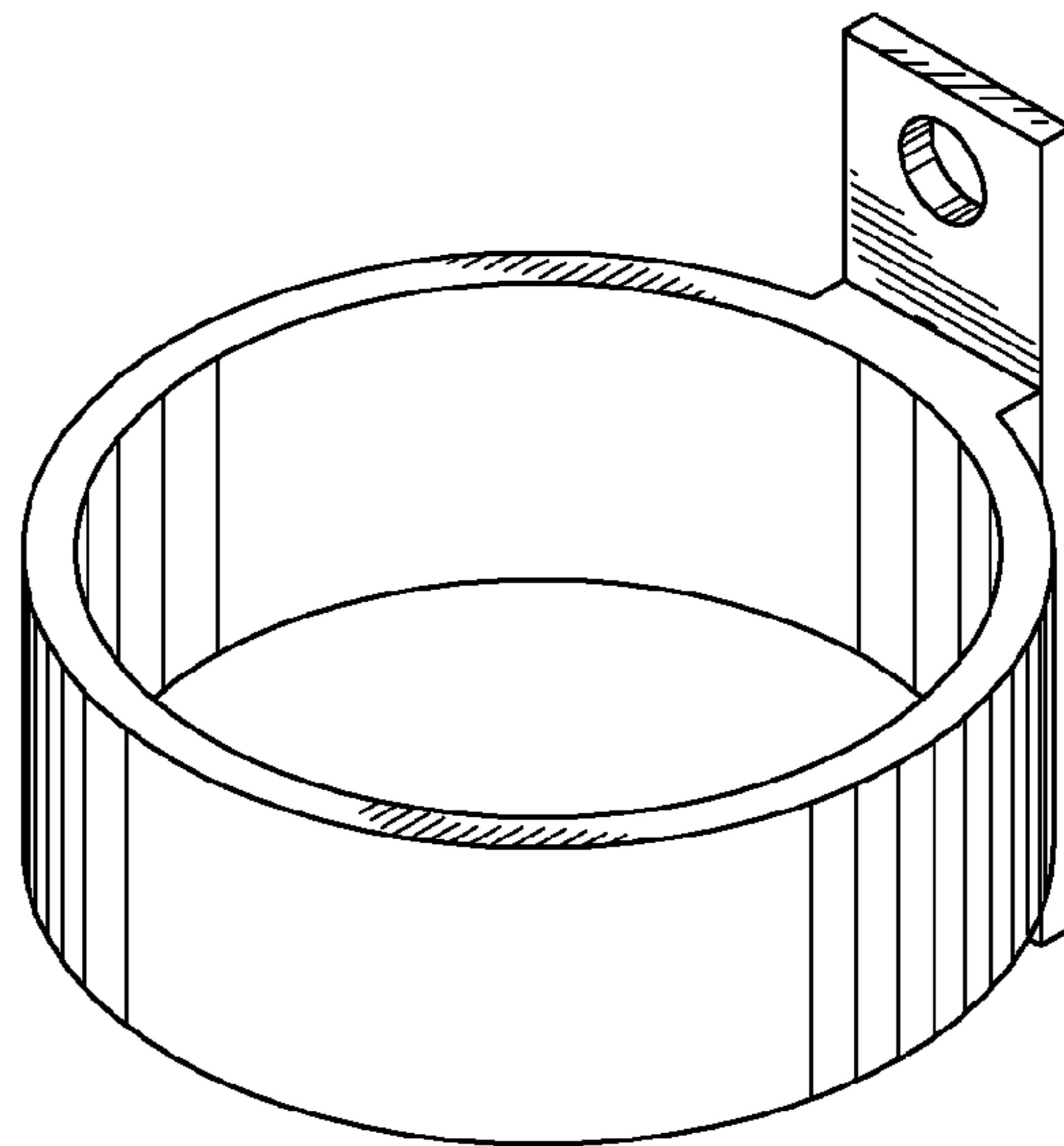


FIG. 9

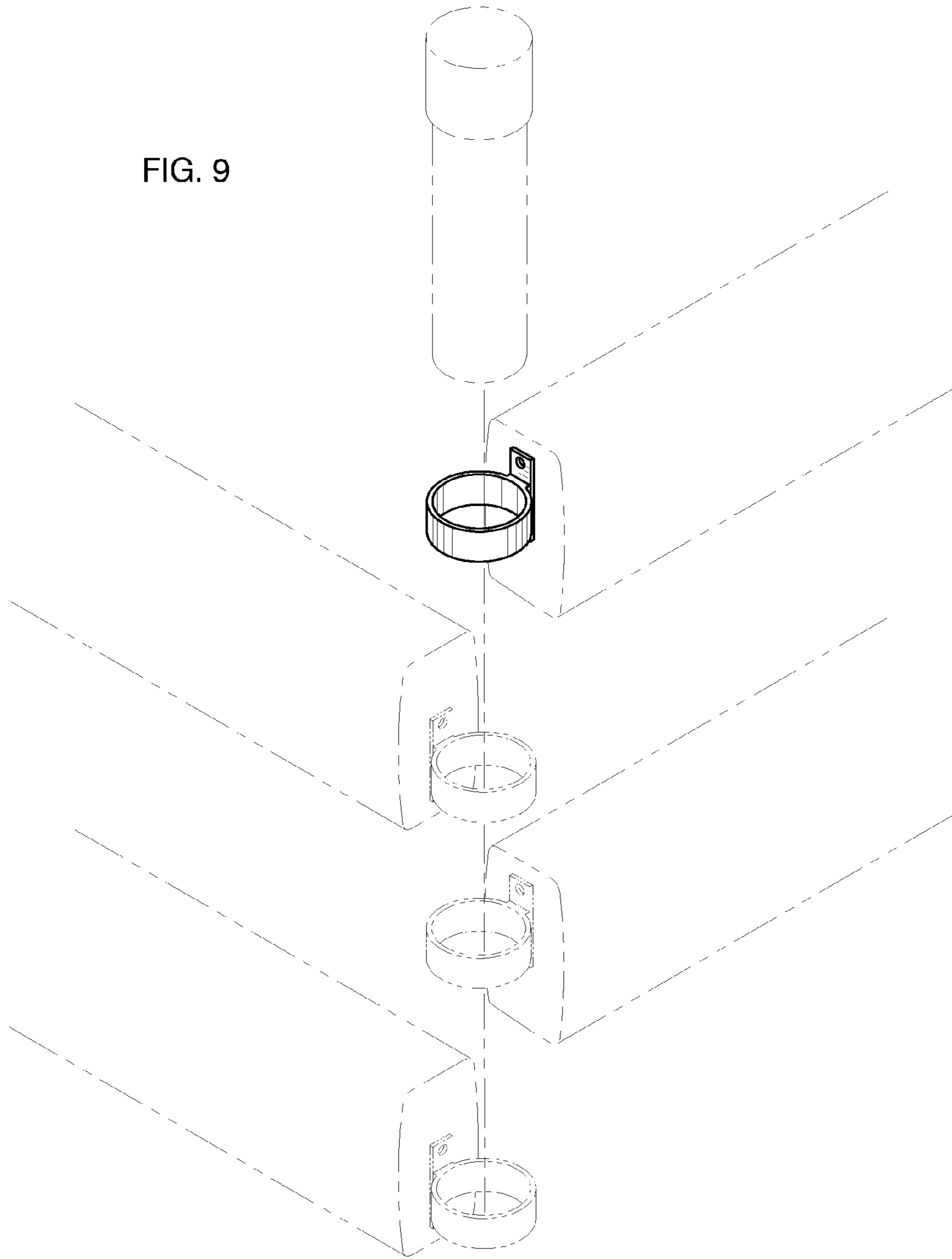


FIG. 10

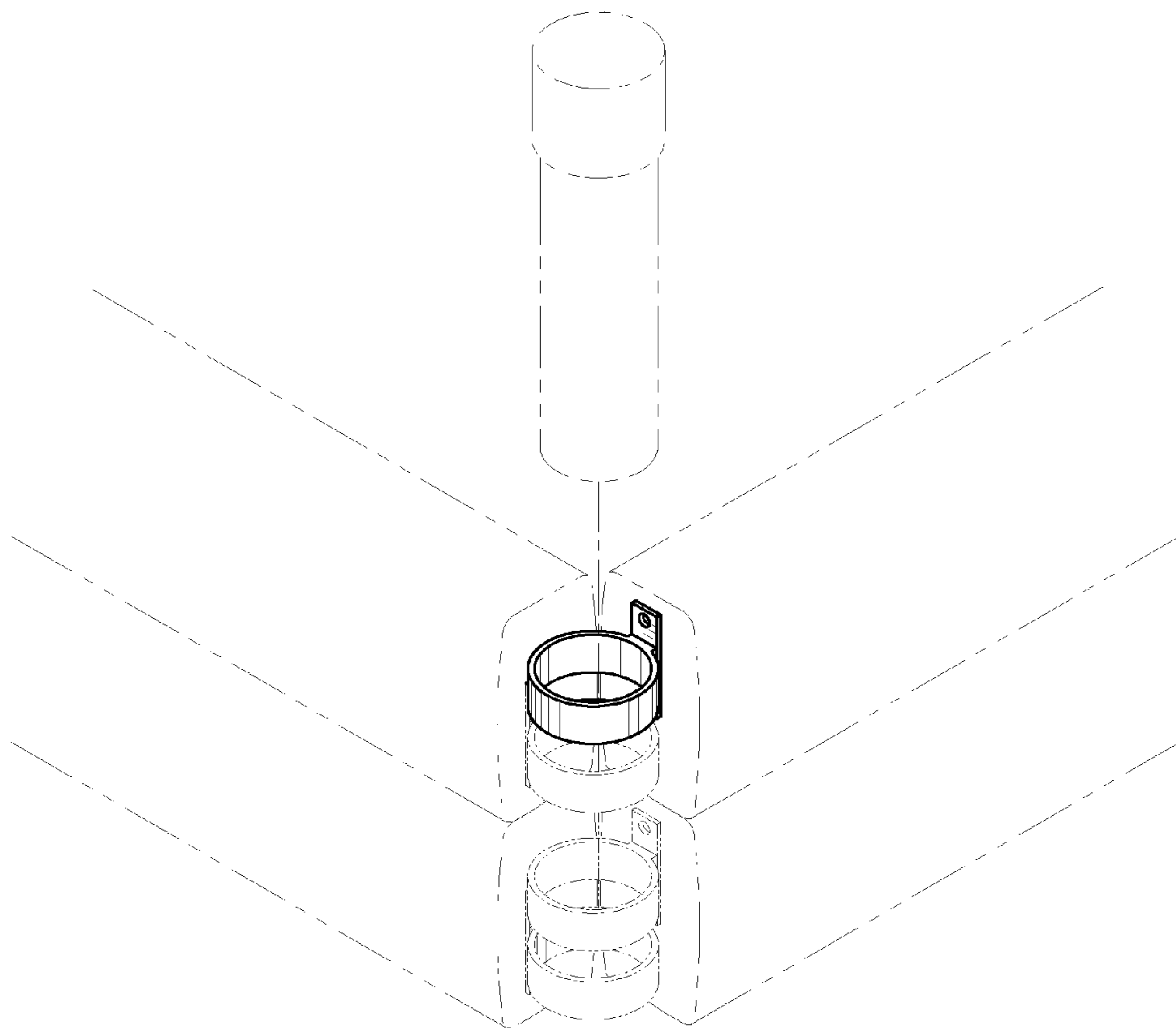


FIG. 11

