

US00D654347S

(12) **United States Design Patent**  
**Chen**

(10) **Patent No.:** **US D654,347 S**

(45) **Date of Patent:** **\*\* Feb. 21, 2012**

(54) **BASKET HANGER**

(74) *Attorney, Agent, or Firm* — Rosenberg, Klein & Lee

(76) Inventor: **Mu-Chuan Chen**, Chang-Hwa (TW)

(57) **CLAIM**

(\*\*) Term: **14 Years**

The ornamental design for a basket hanger, as shown and described.

(21) Appl. No.: **29/347,362**

(22) Filed: **Dec. 15, 2009**

**DESCRIPTION**

(51) **LOC (9) Cl.** ..... **08-05**

(52) **U.S. Cl.** ..... **D8/349**

(58) **Field of Classification Search** ..... D8/349,  
D8/354, 356, 394–396, 72, 367, 373, 363;  
D10/74; 24/67.3, 363; D32/28; 211/119.004,  
211/90.003; 248/201, 214, 215, 300  
See application file for complete search history.

FIG. 1 is a perspective view of a basket hanger showing my new design assembled;  
FIG. 2 is a front elevational view thereof;  
FIG. 3 is a rear elevational view thereof;  
FIG. 4 is a left elevational view thereof;  
FIG. 5 is a right elevational view thereof;  
FIG. 6 is a top plan view thereof;  
FIG. 7 is a bottom plan view thereof;  
FIG. 8 is an exploded perspective view thereof showing the basket hanger shown disassembled and in affiliation with a basket;  
FIG. 9 is a second embodiment of an exploded perspective view of a basket hanger shown disassembled and in affiliation with a basket;  
FIG. 10 is a third embodiment of an exploded perspective view of a basket hanger shown disassembled and in affiliation with a basket; and,  
FIG. 11 is a fourth embodiment of an exploded perspective view of a basket hanger shown assembled and in affiliation with a basket.  
The basket and additional assembled bracket shown in broken lines are for illustrative purposes only and form no part of the claimed design.

(56) **References Cited**

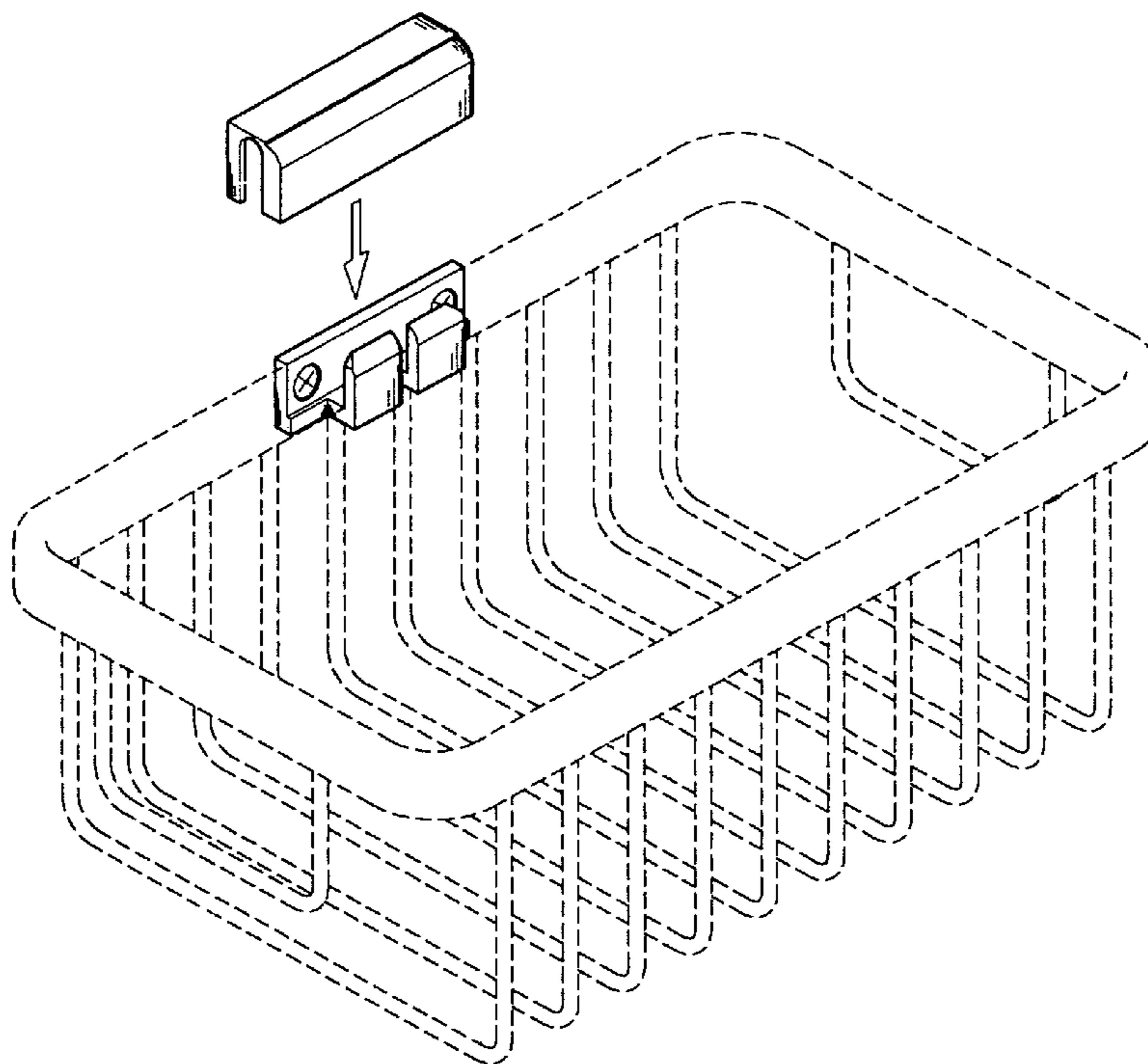
**U.S. PATENT DOCUMENTS**

D285,410	S	*	9/1986	Webber	.....	D8/363
5,312,077	A	*	5/1994	Gutierrez	.....	248/214
D376,749	S	*	12/1996	Hertzog	.....	D8/349
5,875,902	A	*	3/1999	Emery et al.	.....	211/90.03
D482,261	S	*	11/2003	Kobayashi	.....	D8/349
7,178,769	B2	*	2/2007	Magnusson et al.	.....	248/201
D567,631	S	*	4/2008	Brassard	.....	D8/349
D580,804	S	*	11/2008	Gretton	.....	D10/74
D608,181	S	*	1/2010	Koizumi	.....	D8/354
D629,987	S	*	12/2010	D'Ulisse	.....	D32/58
D631,324	S	*	1/2011	Azuma et al.	.....	D8/354
D635,008	S	*	3/2011	Virgin	.....	D8/349
8,002,225	B1	*	8/2011	Malone	.....	248/214

\* cited by examiner

*Primary Examiner* — Melody N. Brown

**1 Claim, 8 Drawing Sheets**



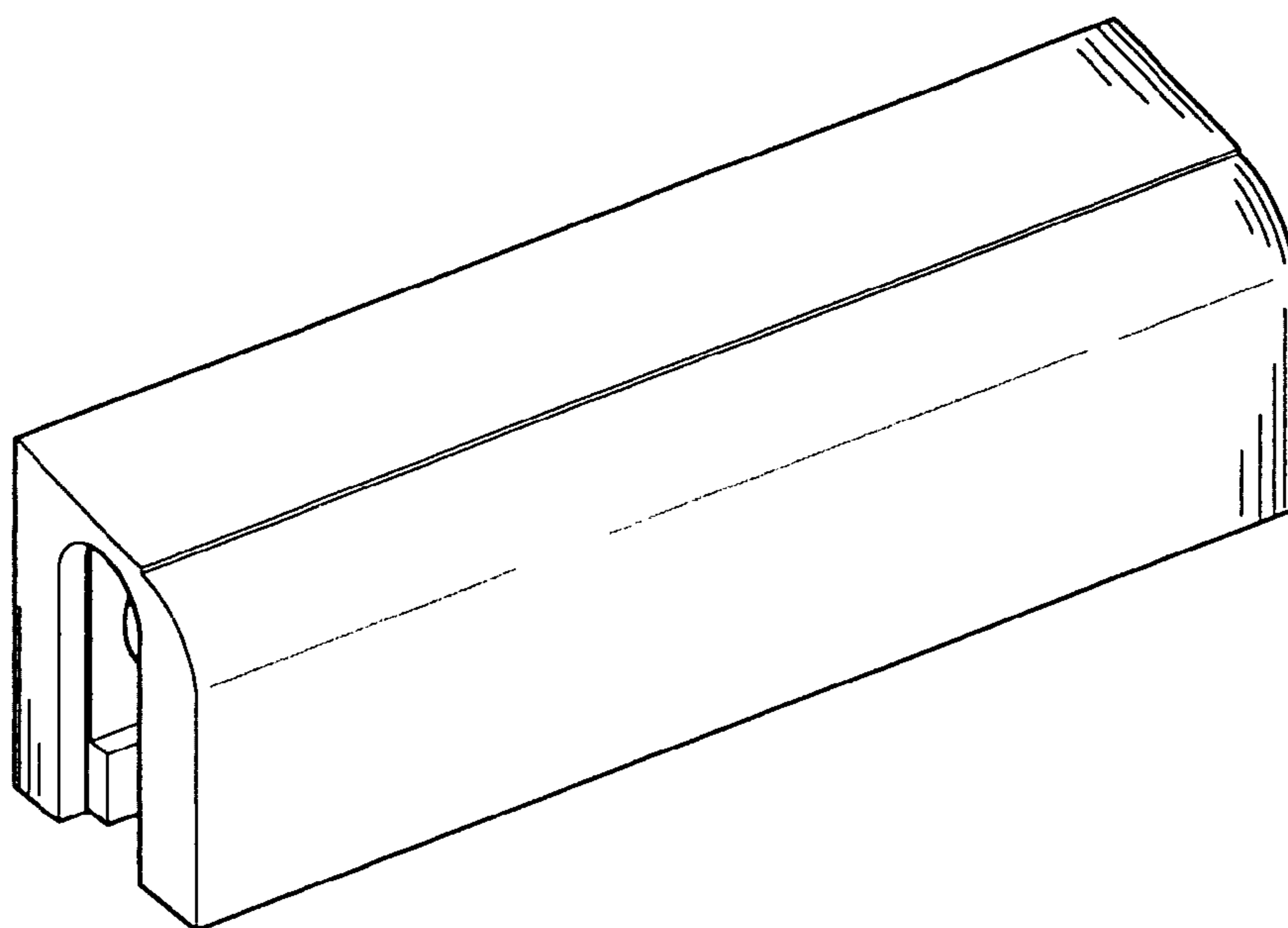


FIG. 1

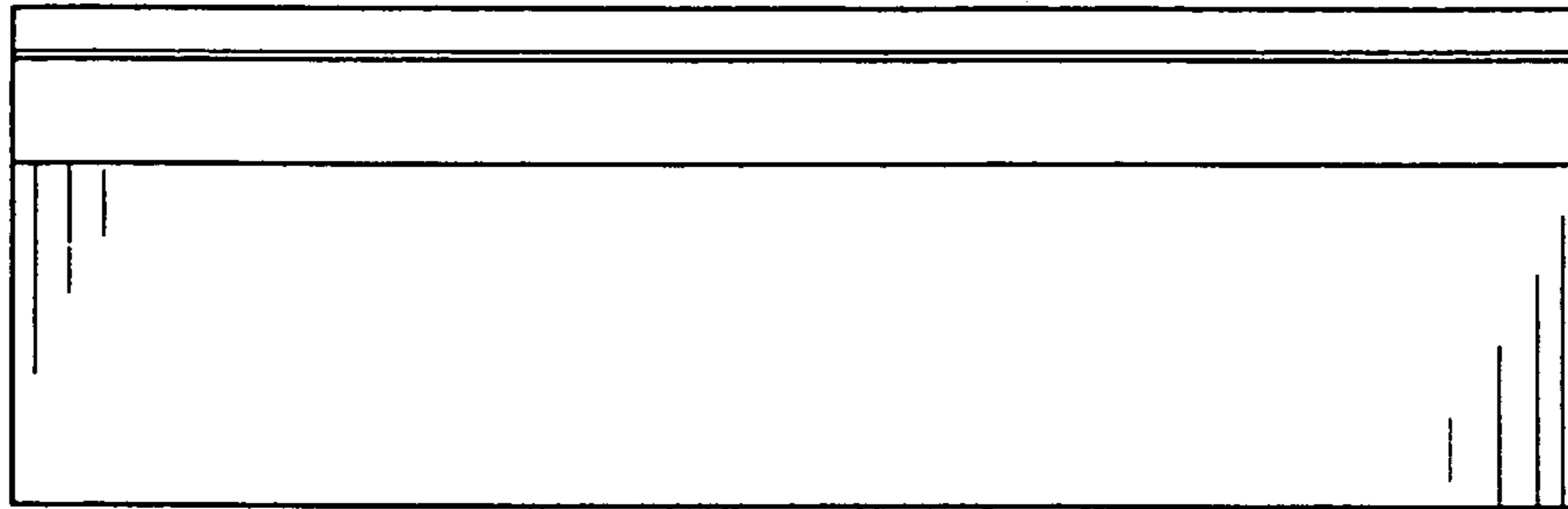


FIG. 2

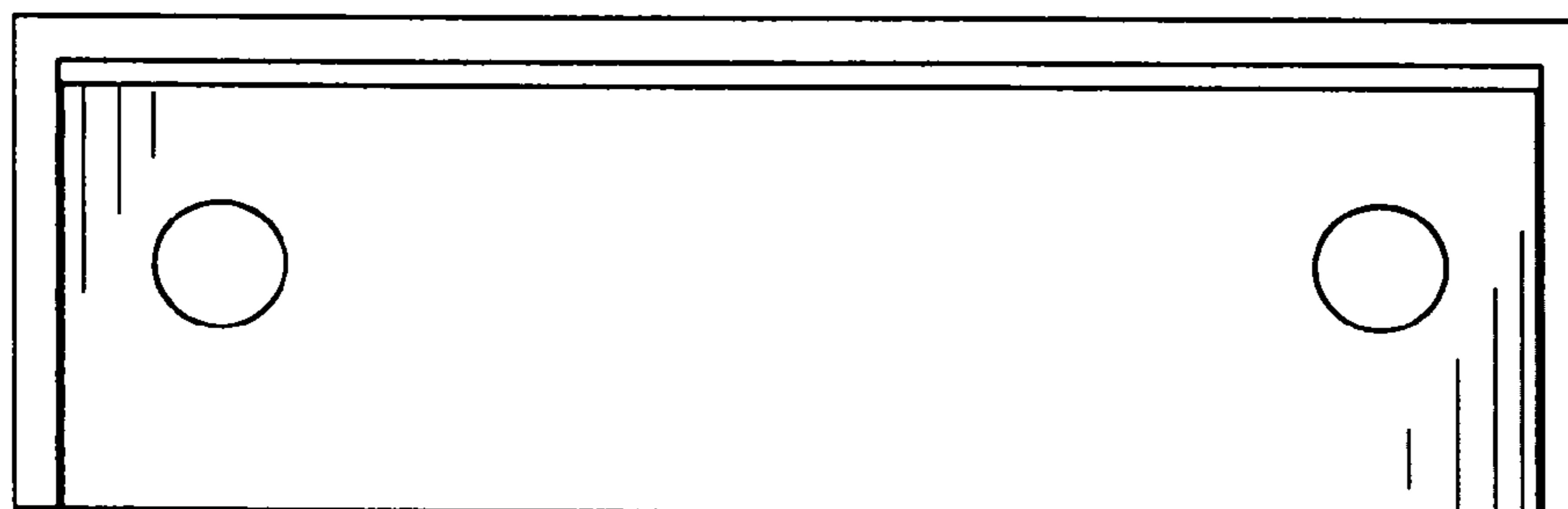


FIG. 3

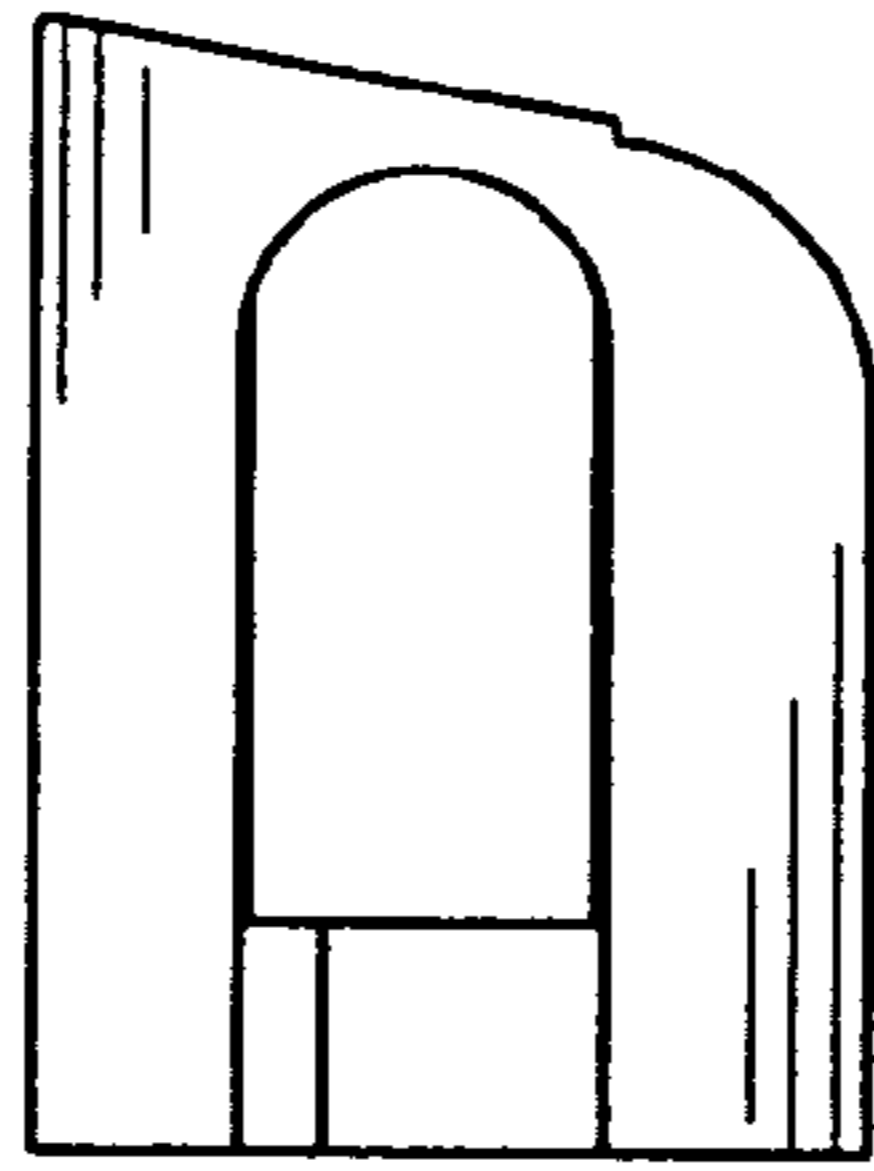


FIG. 4

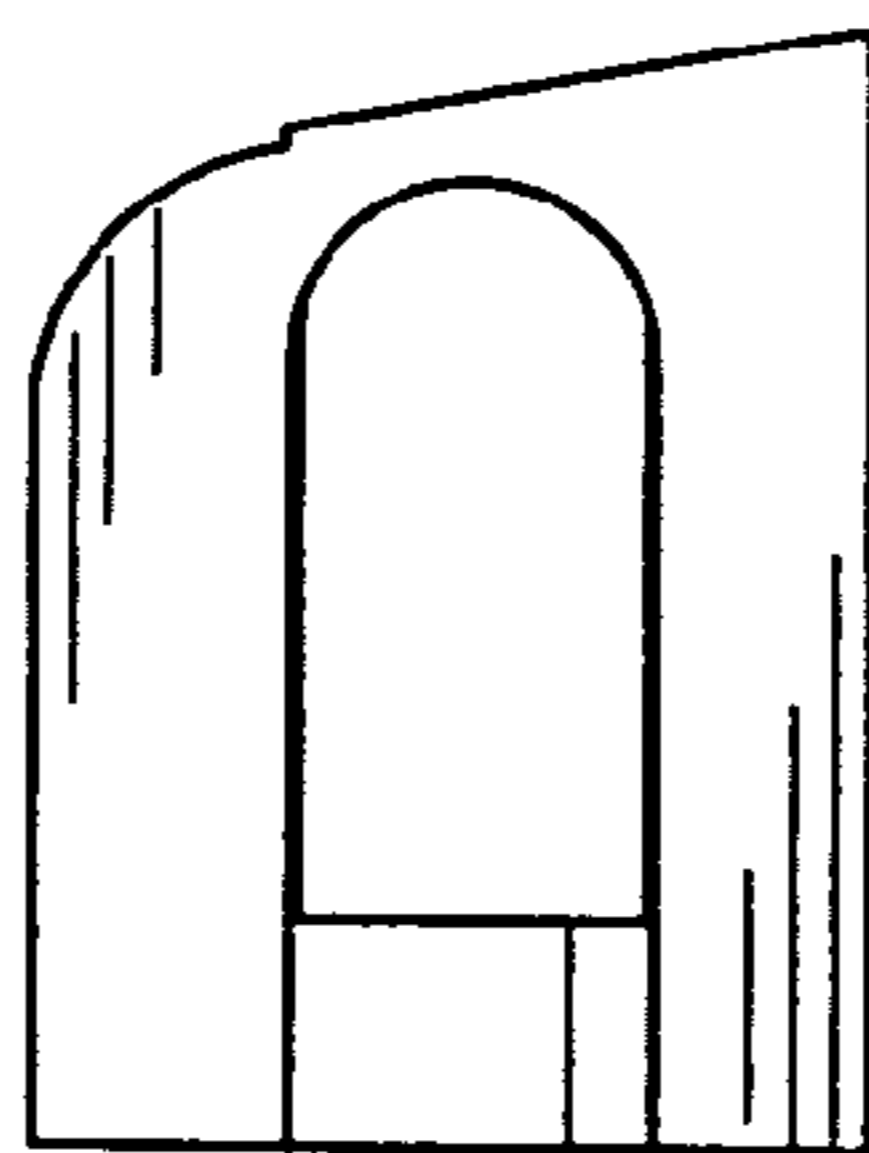


FIG. 5

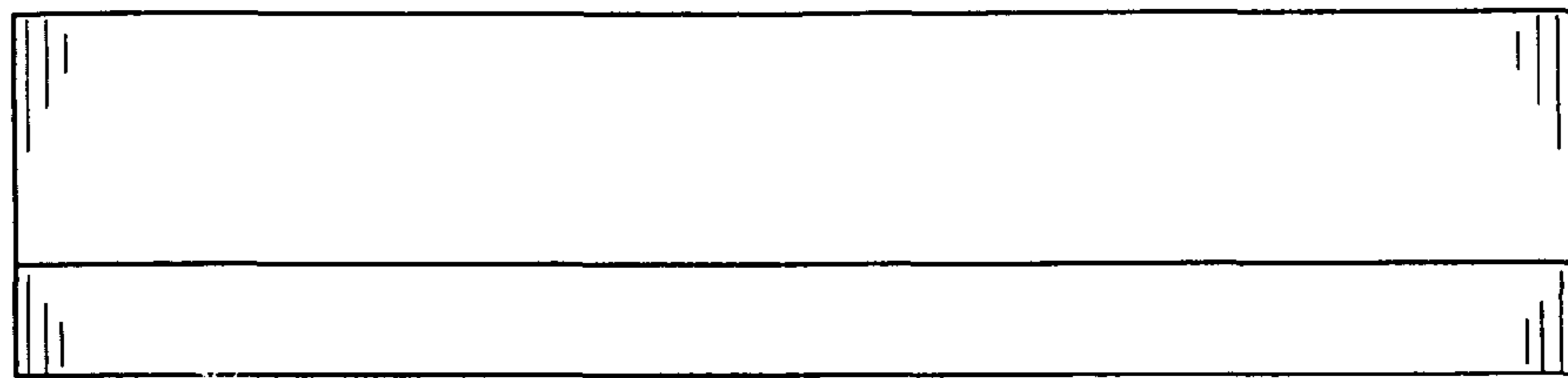


FIG. 6

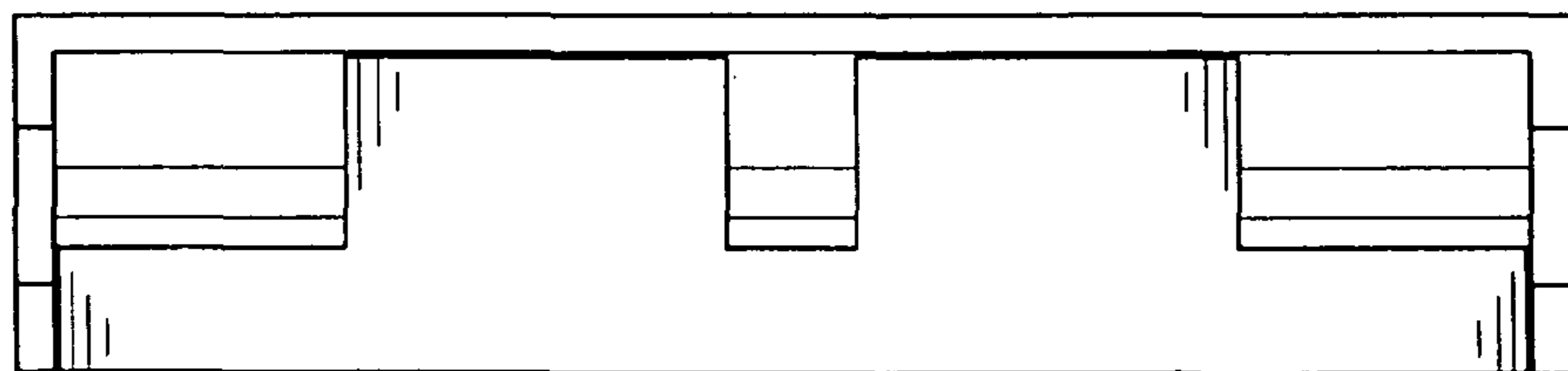


FIG. 7

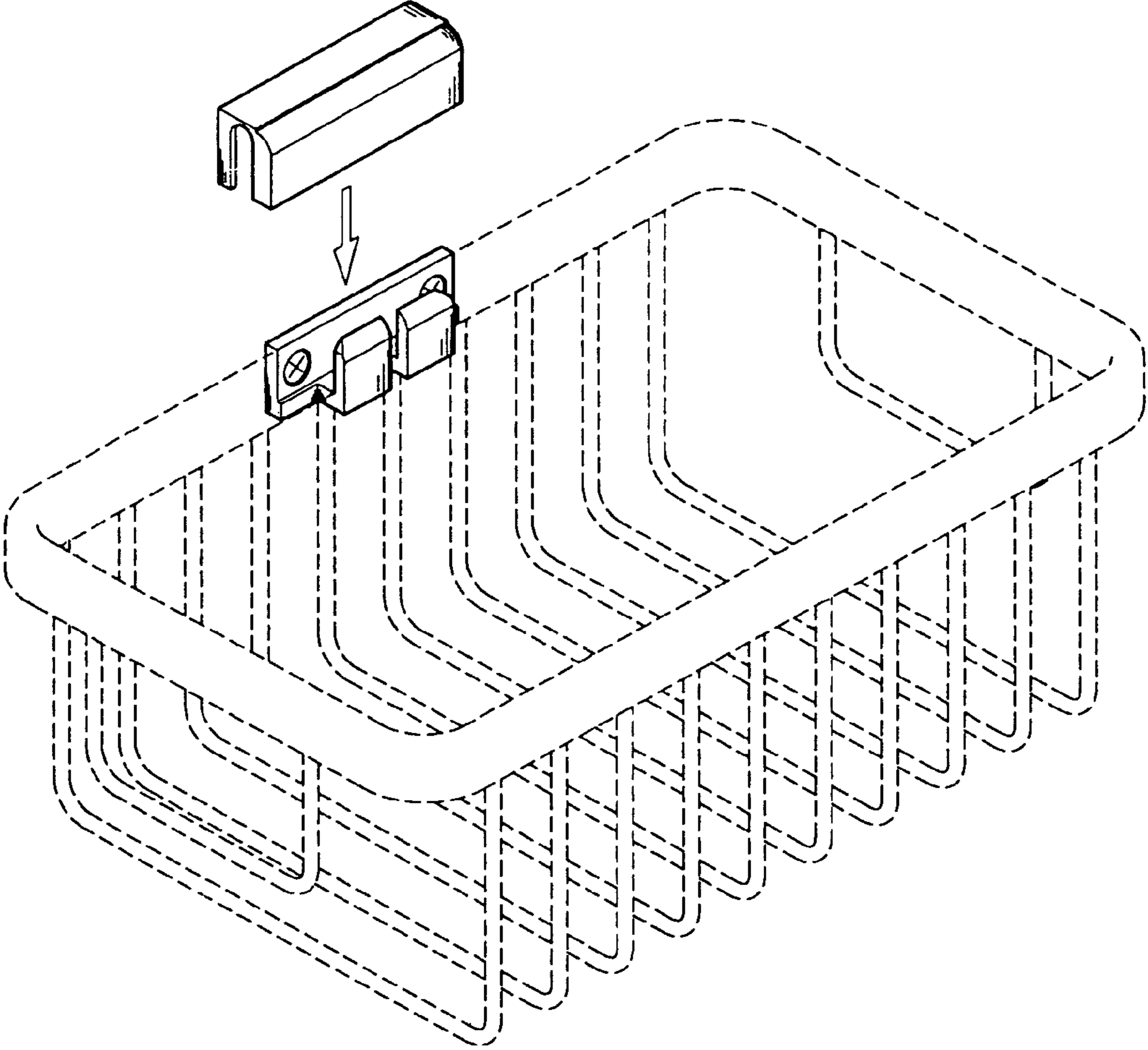


FIG. 8

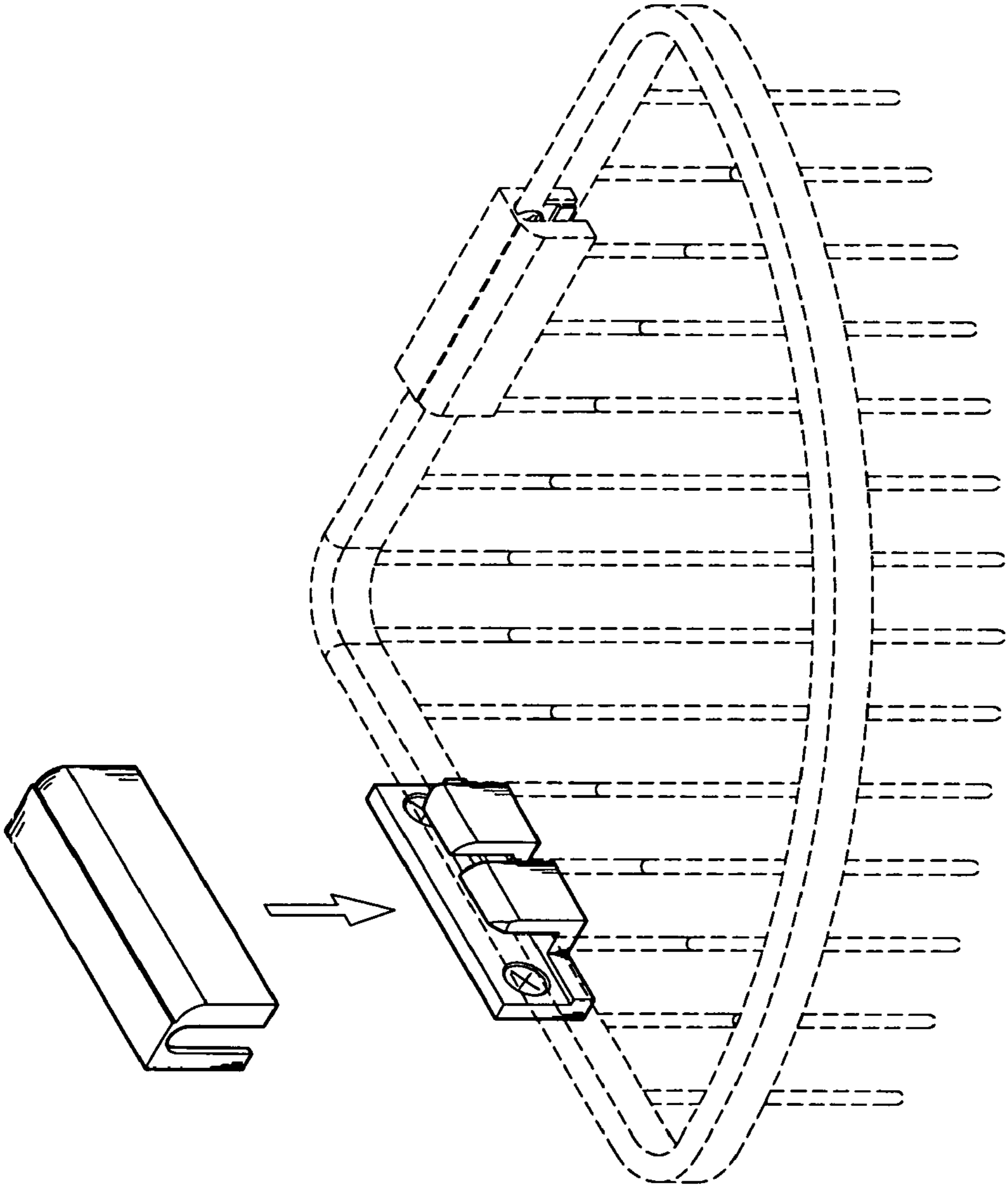


FIG. 9

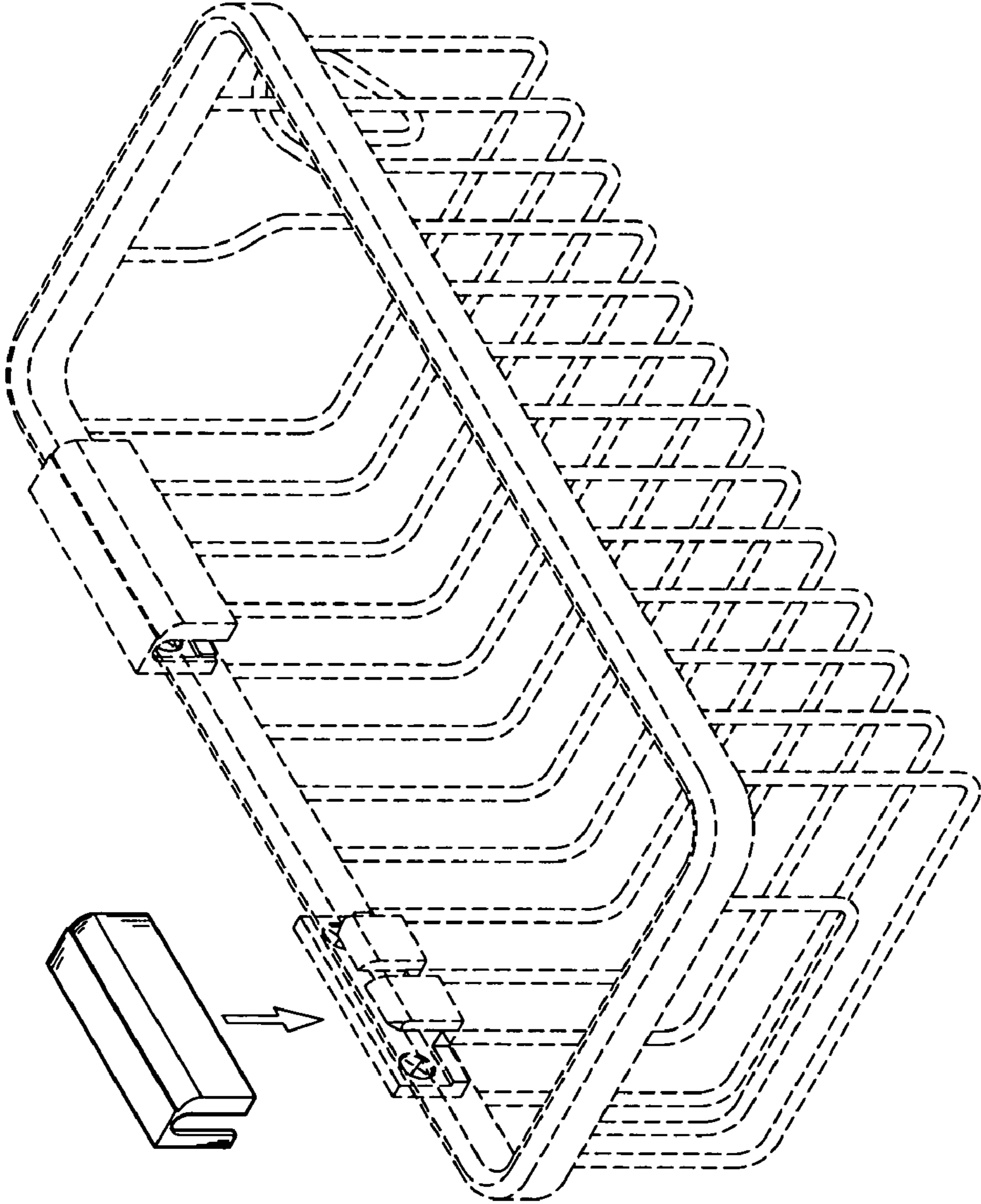


FIG. 10



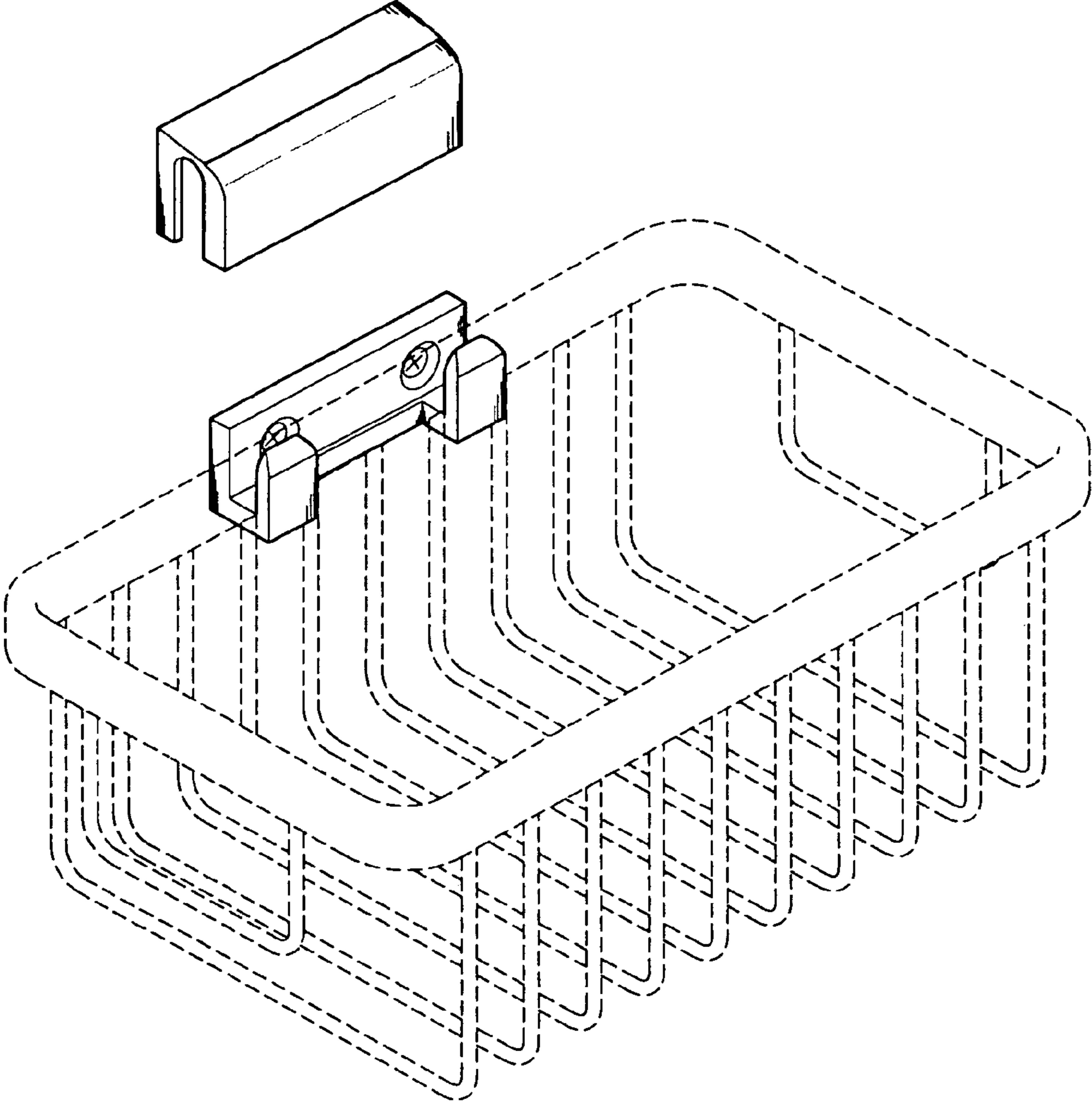


FIG. 11