



US00D654341S

(12) **United States Design Patent**
Hantke et al.

(10) **Patent No.:** **US D654,341 S**

(45) **Date of Patent:** **** Feb. 21, 2012**

(54) **HANDLE WITH STRIKING END**

(75) Inventors: **Bryan R. Hantke**, Pleasant Prairie, WI (US); **Marco E. DeVecchis**, Racine, WI (US); **Daniel M. Eggert**, Kenosha, WI (US)

(73) Assignee: **Snap-On Incorporated**, Kenosha, WI (US)

(**) Term: **14 Years**

(21) Appl. No.: **29/348,988**

(22) Filed: **Feb. 26, 2010**

(51) **LOC (9) Cl.** **08-05**

(52) **U.S. Cl.** **D8/89**

(58) **Field of Classification Search** D8/14,
D8/40, 43, 81-83, 87-89, 107, 303; 7/143,
7/165-167; 81/489, 492

See application file for complete search history.

(56) **References Cited**

U.S. PATENT DOCUMENTS

D37,994	S	*	5/1906	Tower	D8/82
D213,401	S	*	2/1969	Holder	D8/14
D271,841	S	*	12/1983	Hansen	D7/395
D324,473	S	*	3/1992	Chen	D8/80
D424,399	S	*	5/2000	Staton	D8/107
D516,405	S	*	3/2006	Saunders	D8/107
D523,234	S	*	6/2006	DeBoer et al.	D8/87
7,086,109	B2	*	8/2006	Fisher et al.	7/165
D553,938	S	*	10/2007	Shih	D8/107
D570,182	S	*	6/2008	Chen	D8/303
D581,766	S	*	12/2008	Heneen et al.	D8/107

D638,006	S	*	5/2011	Chang	D14/250
2009/0056407	A1	*	3/2009	Greene	72/481.1
2010/0071139	A1	*	3/2010	Gallien	7/165

OTHER PUBLICATIONS

Snap-On Prybar. Downloaded Sep. 11, 2011 at http://buy1.snapon.com/catalog/item.asp?P65=&tool=hand&item_ID=89234&group_ID=2....*

* cited by examiner

Primary Examiner — Philip S Hyder

Assistant Examiner — Roselynn Cody

(74) *Attorney, Agent, or Firm* — Seyfarth Shaw LLP

(57) **CLAIM**

The ornamental design for the handle with striking end, as shown and described.

DESCRIPTION

FIG. 1 is a perspective view of the handle with striking end showing the new design as used with a pry bar;

FIG. 2 is an enlarged perspective view of one side of the handle with striking end;

FIG. 3 is a left side elevation view of the handle with striking end, the right side elevation view being identical;

FIG. 4 is a bottom plan view of the handle with striking end;

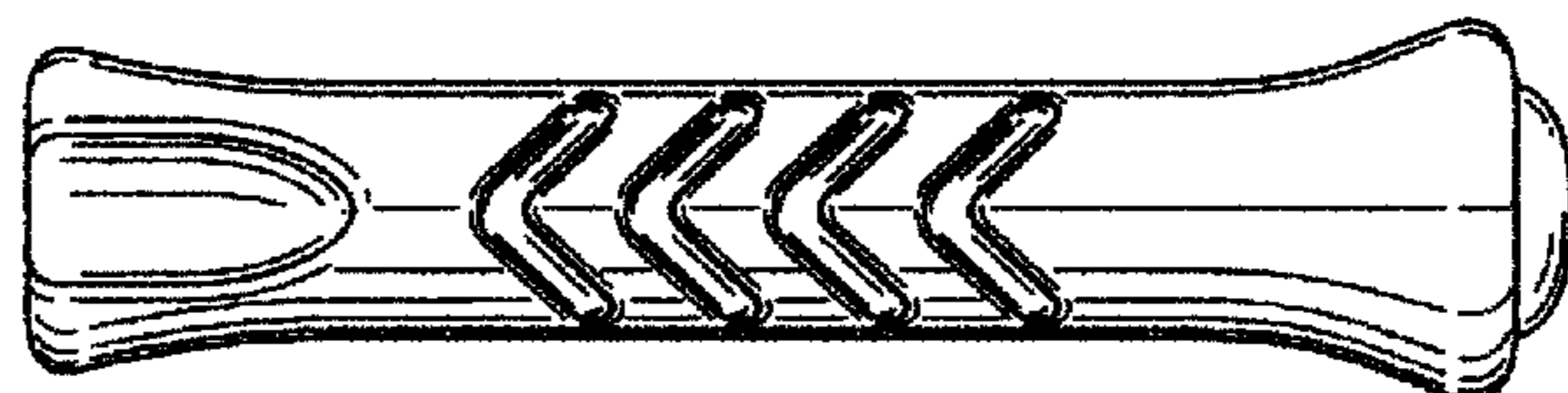
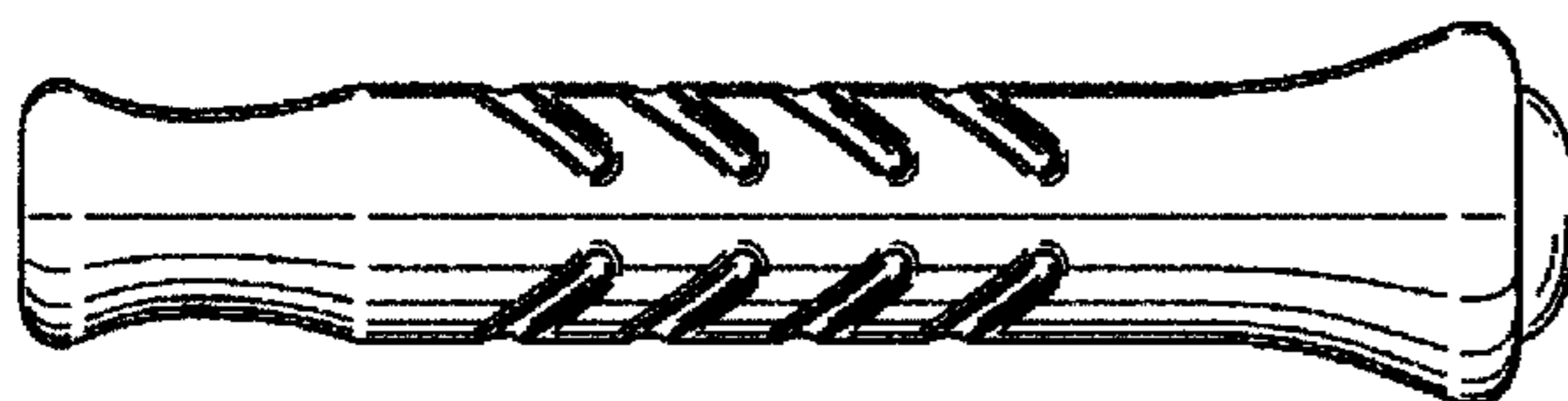
FIG. 5 a front elevation view of the handle with striking end, the rear elevation view being identical; and,

FIG. 6 is a top plan view of the handle with striking end.

The broken lines illustrate environmental subject matter only and form no part of the claimed design.

Any components in the appended drawings shown in broken lines are for illustrative purposes only and form no part of the claimed design or a specified embodiment thereof.

1 Claim, 1 Drawing Sheet



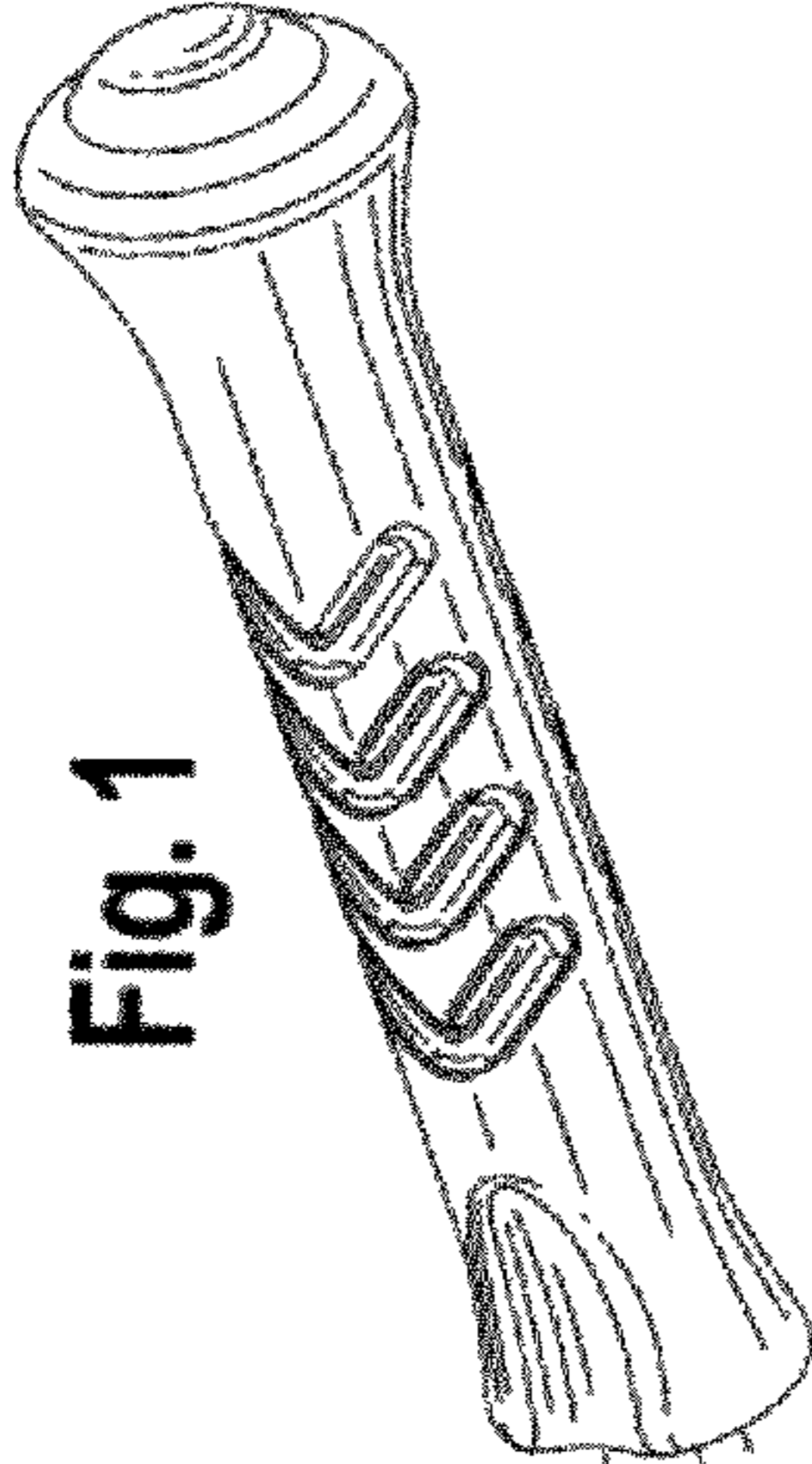


Fig. 1

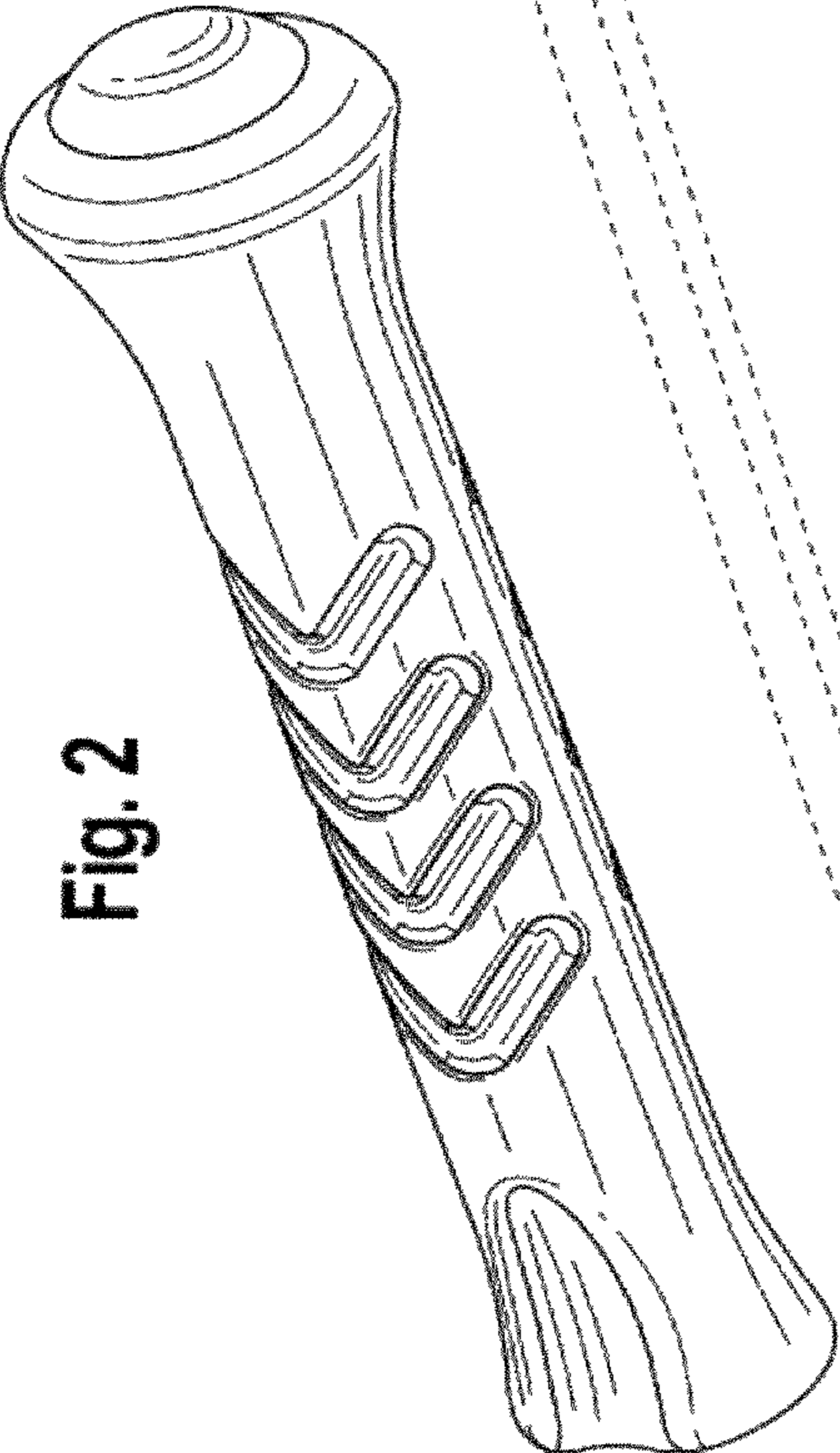


Fig. 2

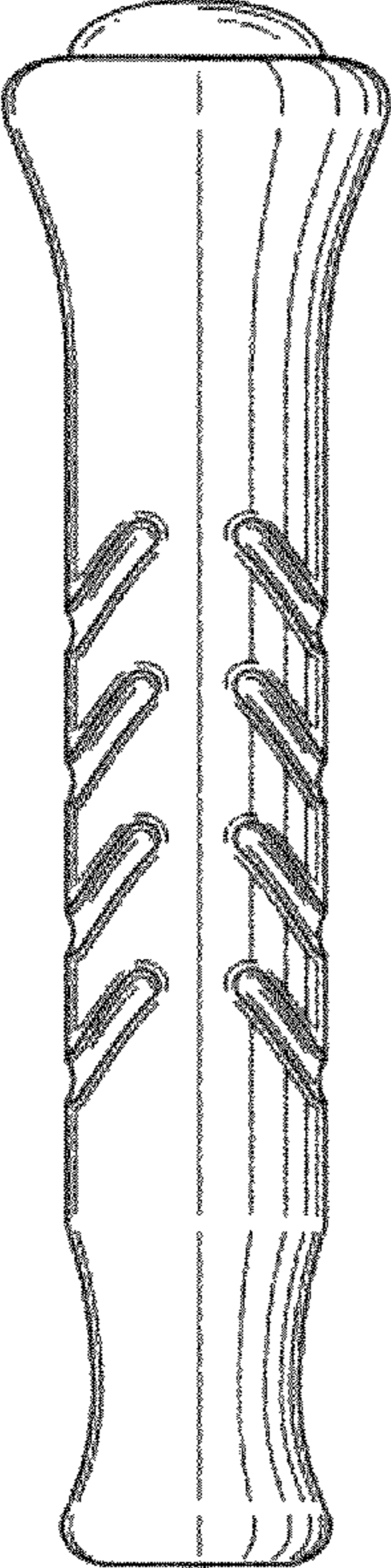


Fig. 3

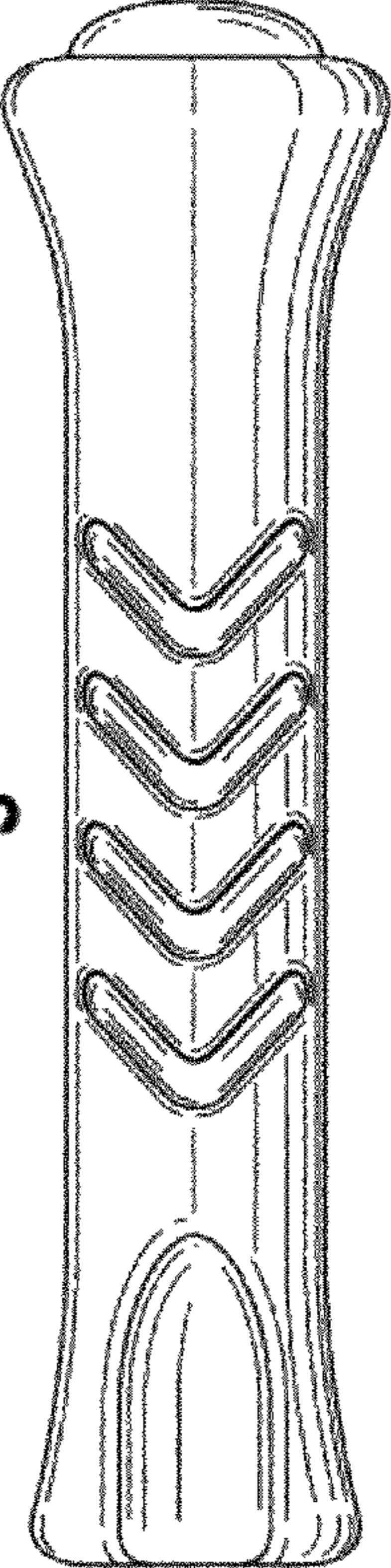


Fig. 5

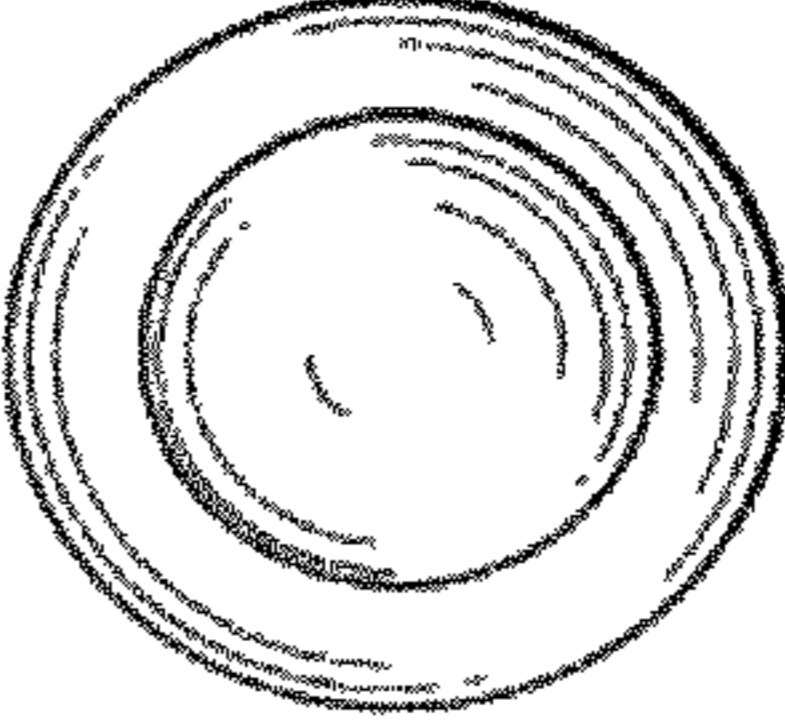


Fig. 6

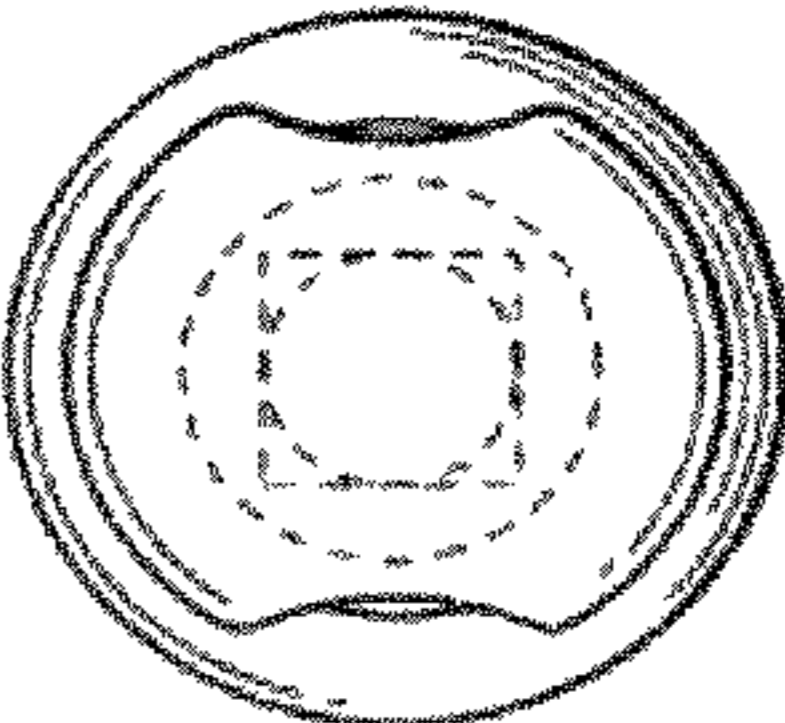


Fig. 4