



US00D654340S

(12) **United States Design Patent**
Kawase et al.

(10) **Patent No.:** **US D654,340 S**

(45) **Date of Patent:** **** Feb. 21, 2012**

(54) **PORTABLE ELECTRIC CIRCULAR SAW**

(75) Inventors: **Tomonori Kawase**, Anjo (JP); **Tsutomu Naito**, Anjo (JP)

(73) Assignee: **Makita Corporation**, Anjo-shi (JP)

(**) Term: **14 Years**

(21) Appl. No.: **29/397,597**

(22) Filed: **Jul. 19, 2011**

(30) **Foreign Application Priority Data**

Feb. 8, 2011 (JP) 2011-2589

(51) **LOC (9) Cl.** **08-03**

(52) **U.S. Cl.** **D8/66**

(58) **Field of Classification Search** D8/69,
D8/68, 67, 66, 64, 61, 70; 83/698.41, 747,
83/166.3, 374, 373, 375, 376, 391, 377, 390,
83/388, 389; 125/13.01; 144/218

See application file for complete search history.

(56) **References Cited**

U.S. PATENT DOCUMENTS

D427,874 S *	7/2000	Hayakawa et al.	D8/66
D428,318 S *	7/2000	Gallagher et al.	D8/66
D428,319 S *	7/2000	Gallagher	D8/66
D453,099 S *	1/2002	Welsh	D8/66
D470,376 S *	2/2003	Chunn et al.	D8/66
D502,073 S *	2/2005	Andriolo	D8/66
D507,949 S *	8/2005	Chunn et al.	D8/66
D514,411 S *	2/2006	Yuen et al.	D8/66
D520,830 S *	5/2006	Suzuki et al.	D8/66
D520,831 S *	5/2006	Okada et al.	D8/66
D521,336 S *	5/2006	Heun	D8/66
D522,833 S	6/2006	Kokawa	
D527,599 S *	9/2006	Ng	D8/66
D538,124 S	3/2007	Yamamoto et al.	
D554,462 S *	11/2007	Zhang	D8/66

(Continued)

FOREIGN PATENT DOCUMENTS

JP D1326453 S 4/2008

Primary Examiner — Austin Murphy

(74) *Attorney, Agent, or Firm* — Global IP Counselors, LLP

(57) **CLAIM**

The ornamental design for a portable electric circular saw, as shown and described.

DESCRIPTION

FIG. 1 is a top, front and right side perspective view of a portable electric circular saw in accordance with our new design;

FIG. 2 is a top, rear and left side perspective view of the portable electric circular saw in accordance with our new design;

FIG. 3 is a front elevational view of the portable electric circular saw in accordance with our new design;

FIG. 4 is a rear elevational view of the portable electric circular saw in accordance with our new design;

FIG. 5 is a top plan view of the portable electric circular saw in accordance with our new design;

FIG. 6 is a bottom plan view of the portable electric circular saw in accordance with our new design;

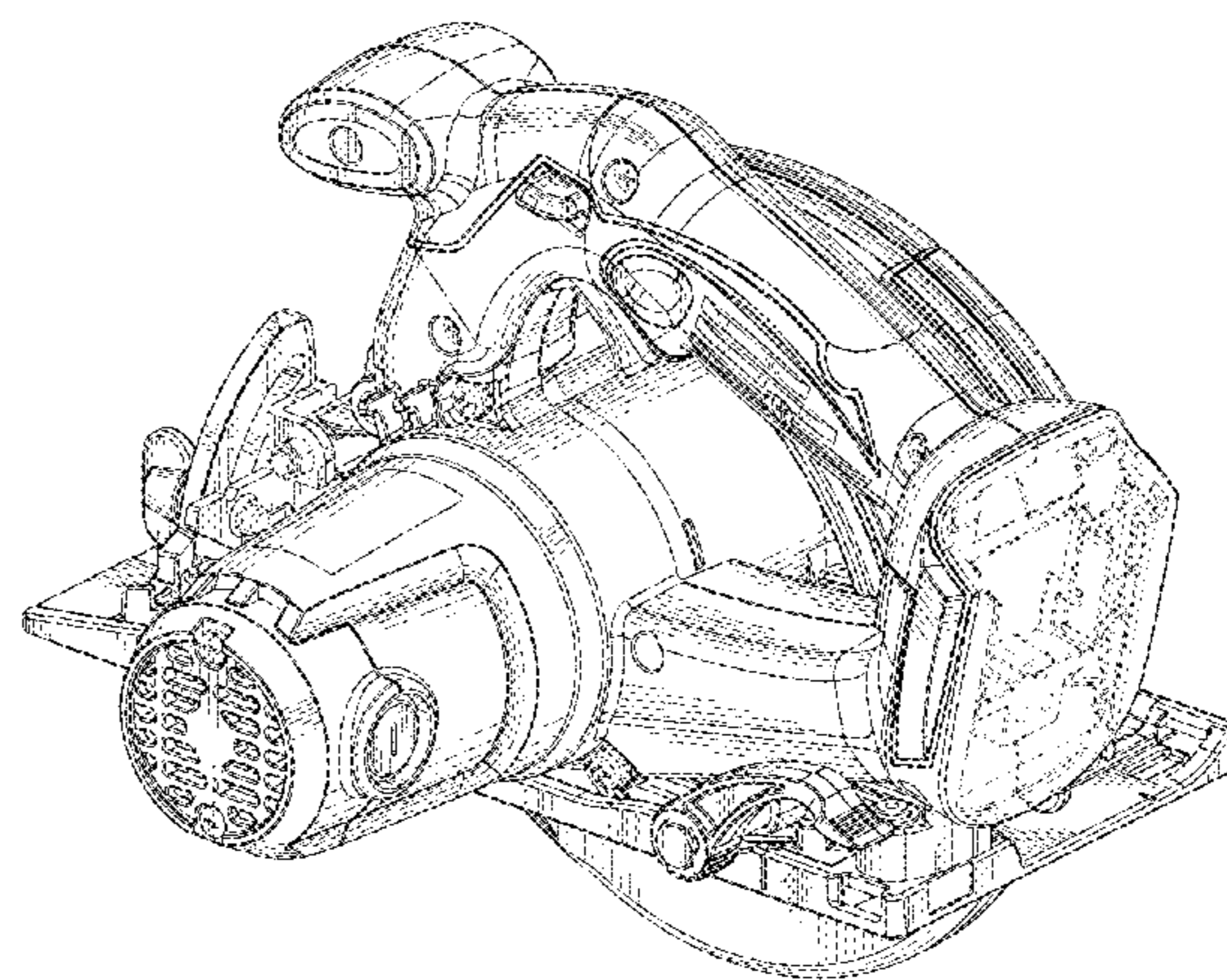
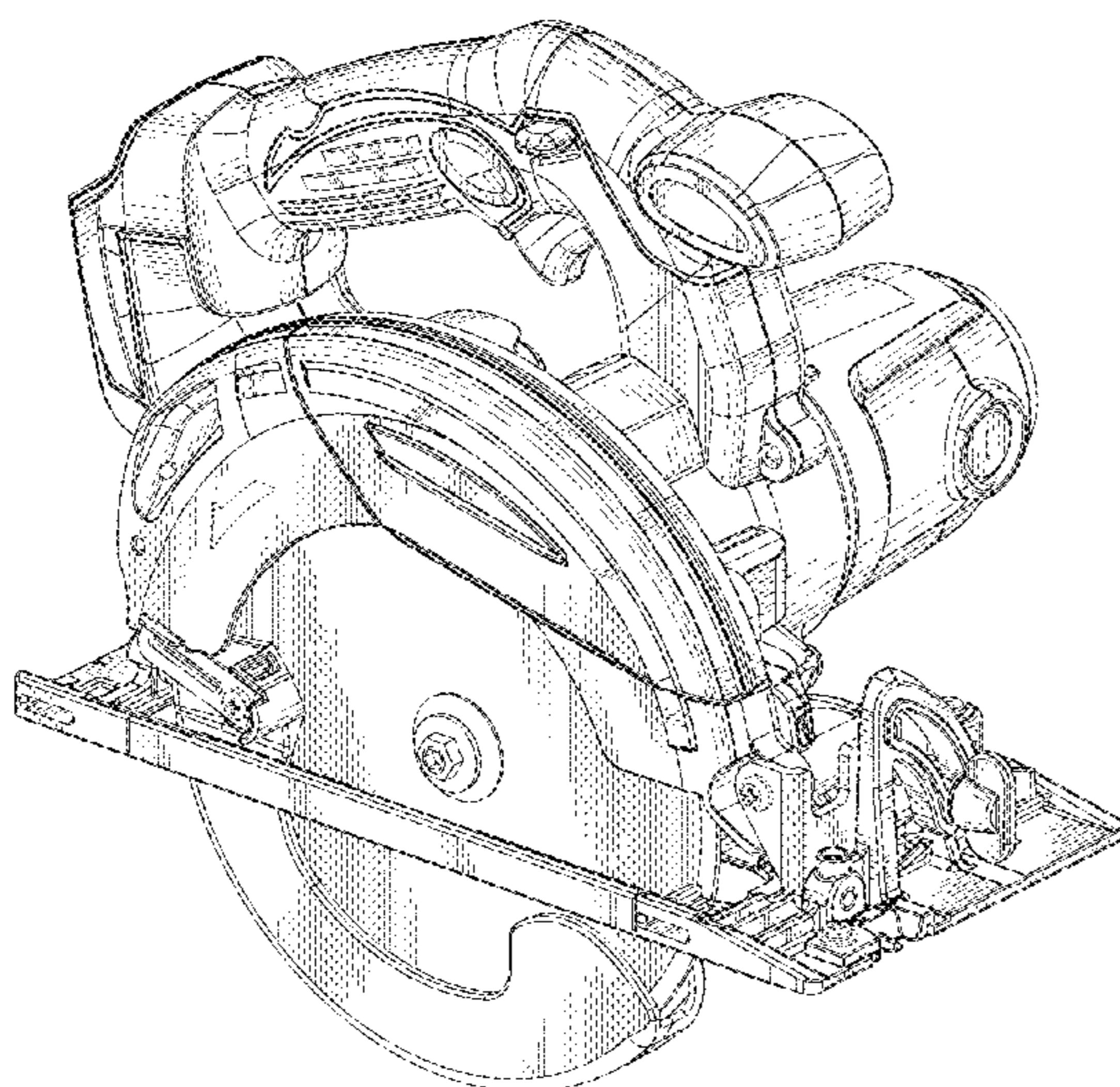
FIG. 7 is a right side elevational view of the portable electric circular saw in accordance with our new design;

FIG. 8 is a left side elevational view of the portable electric circular saw in accordance with our new design; and,

FIG. 9 is a top, front and right side perspective view of a portable electric circular saw in accordance with our new design illustrating a state in which a battery is attached to the portable electric circular saw.

The broken line showing of environment in FIGS. 1-9 is for illustrative purposes only and forms no part of the claimed design.

1 Claim, 9 Drawing Sheets



US D654,340 S

Page 2

U.S. PATENT DOCUMENTS

D568,705 S *	5/2008	Lopano et al.	D8/66	
D631,718 S *	2/2011	Aglassinger	D8/66	
D631,719 S *	2/2011	Aglassinger	D8/66	* cited by examiner
				D632,940 S * 2/2011 Yamamoto et al. D8/66
				D638,681 S * 5/2011 Yamada et al. D8/66

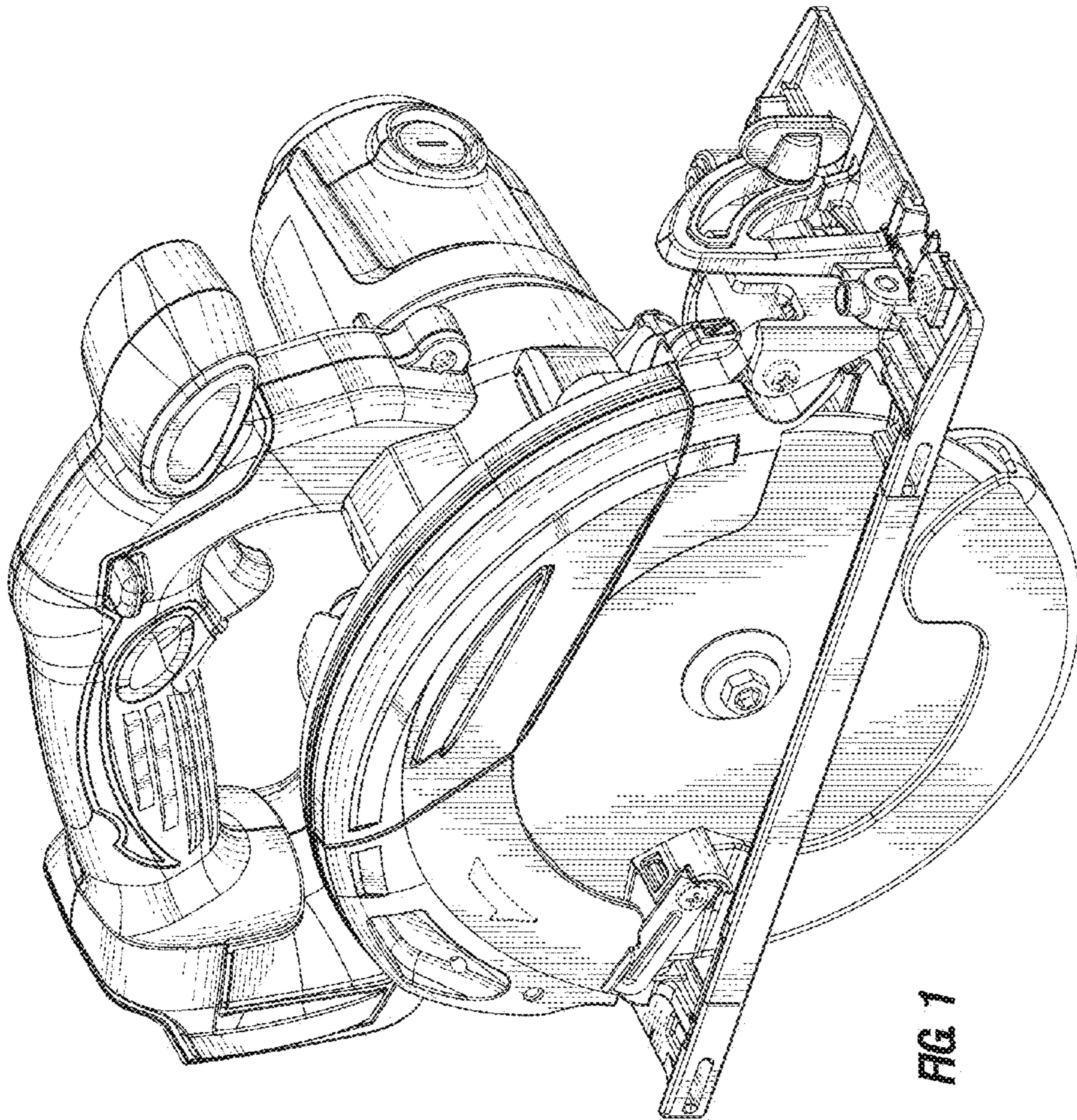


FIG 1

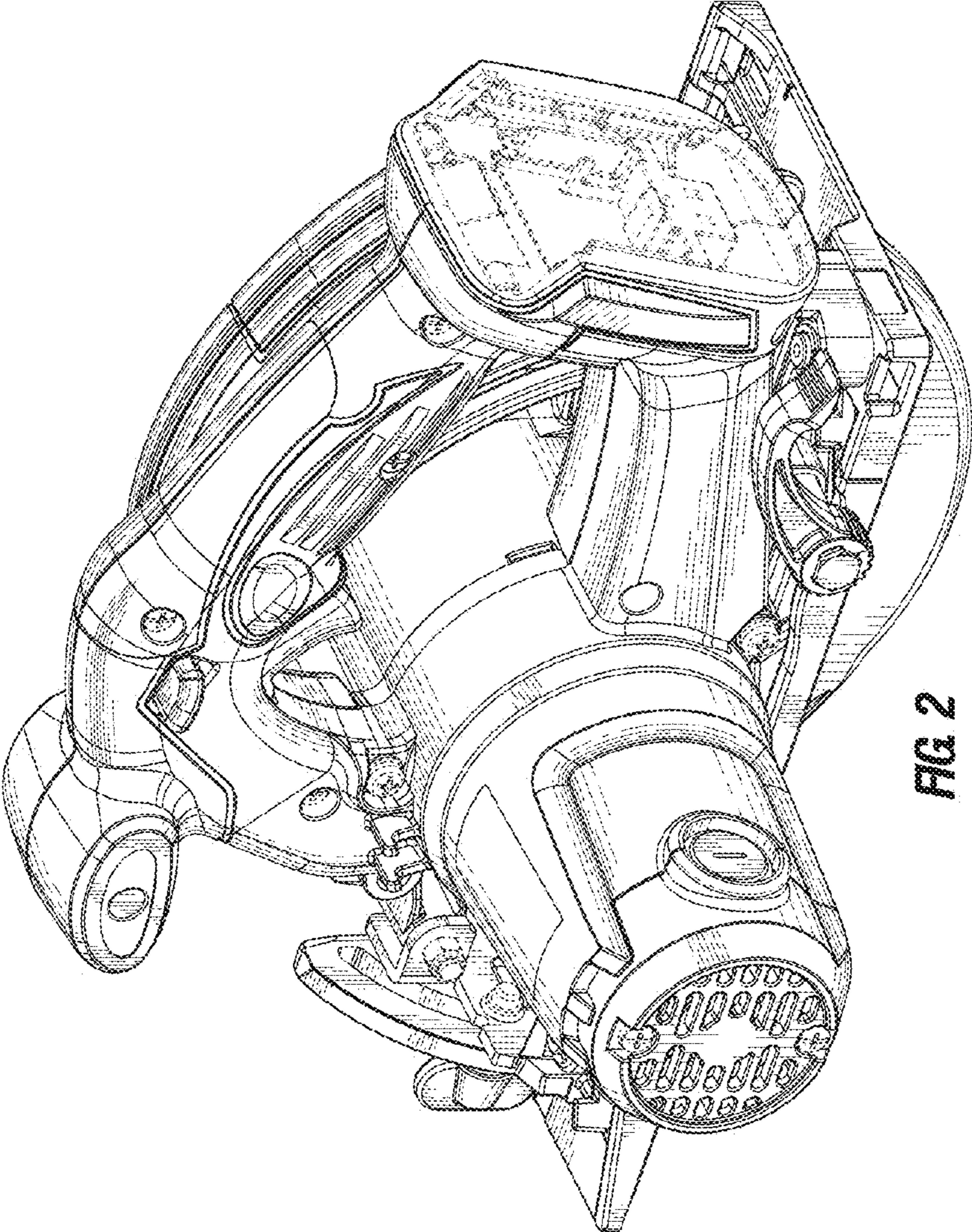


FIG 2

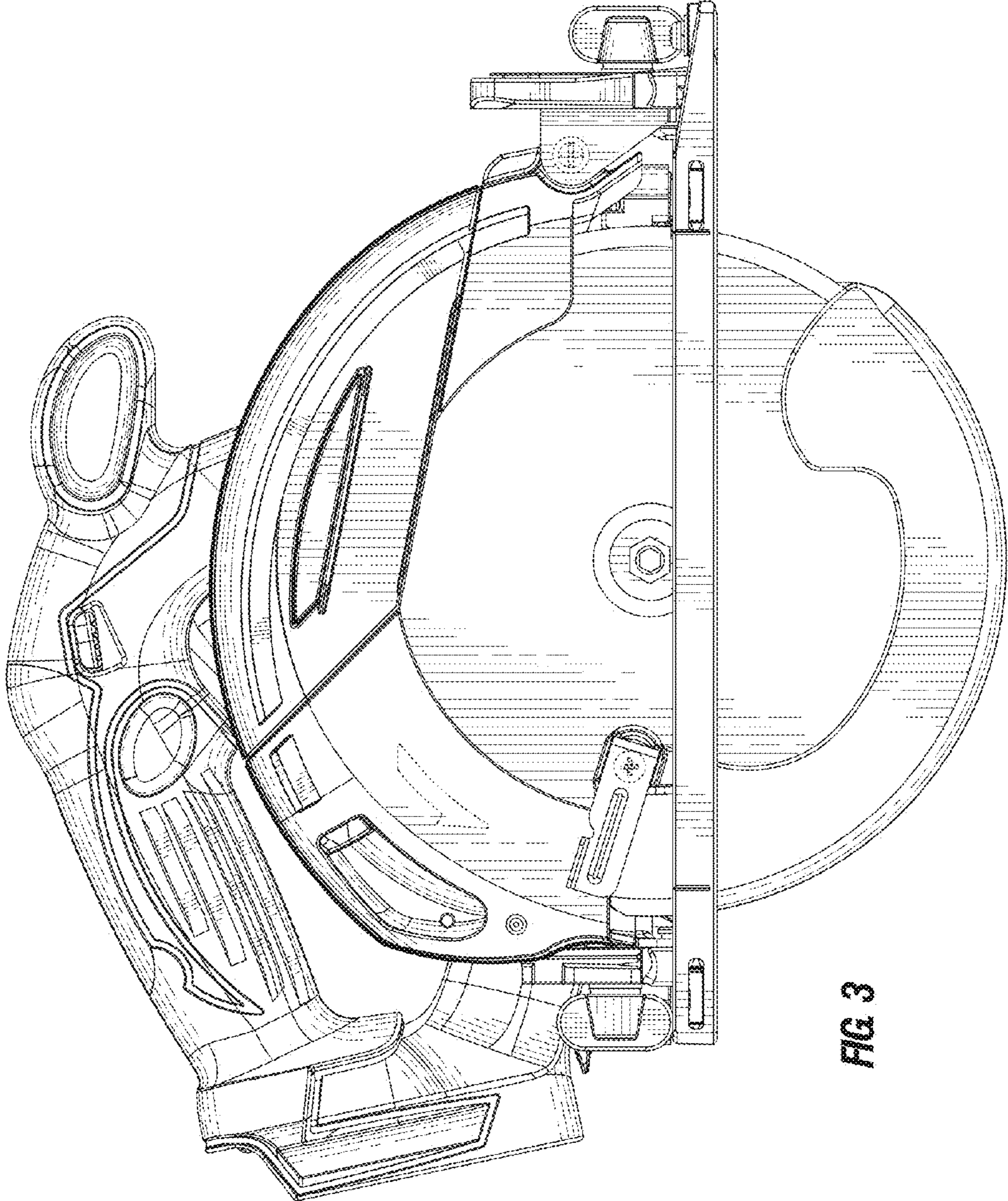


FIG. 3

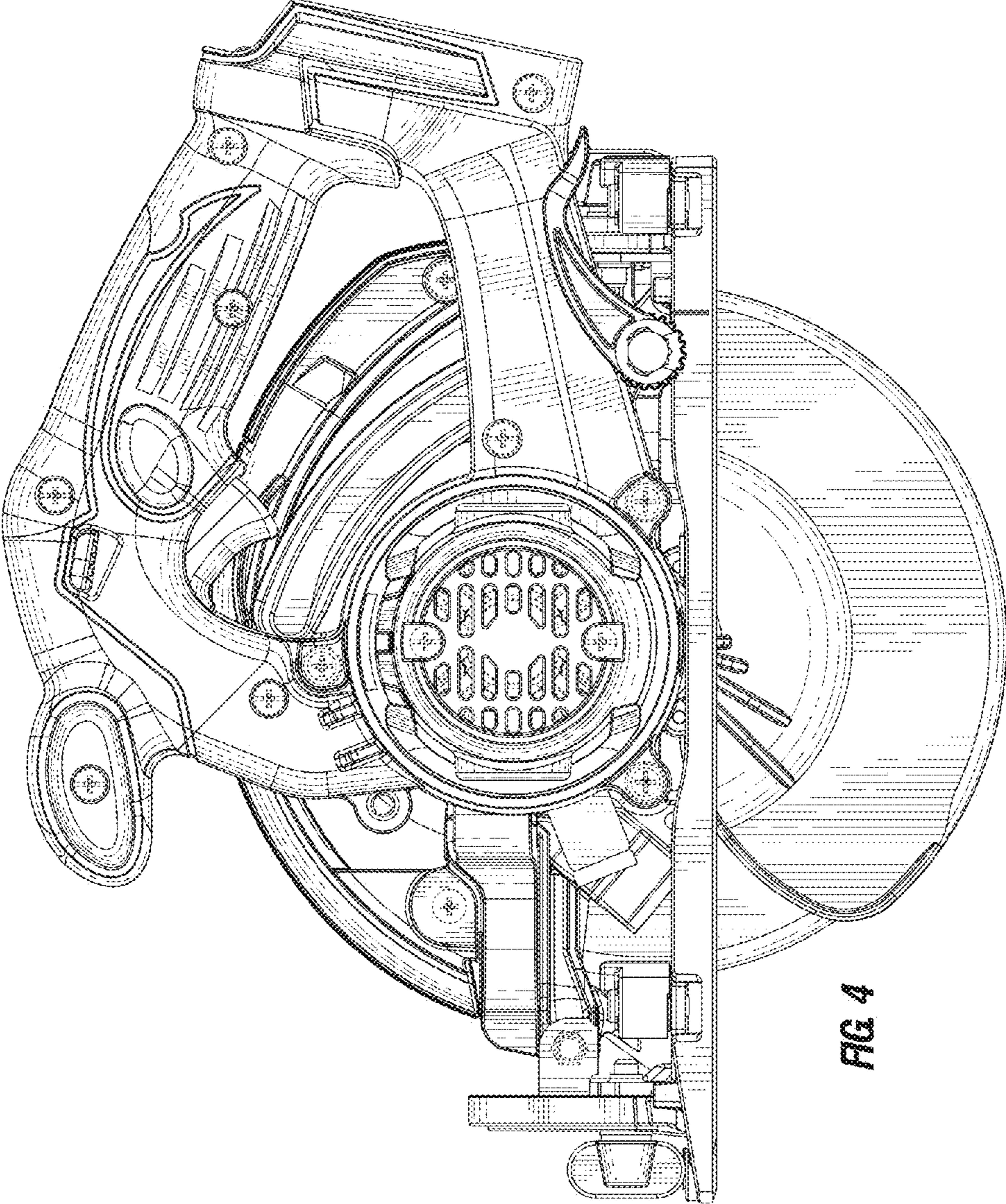


FIG 4

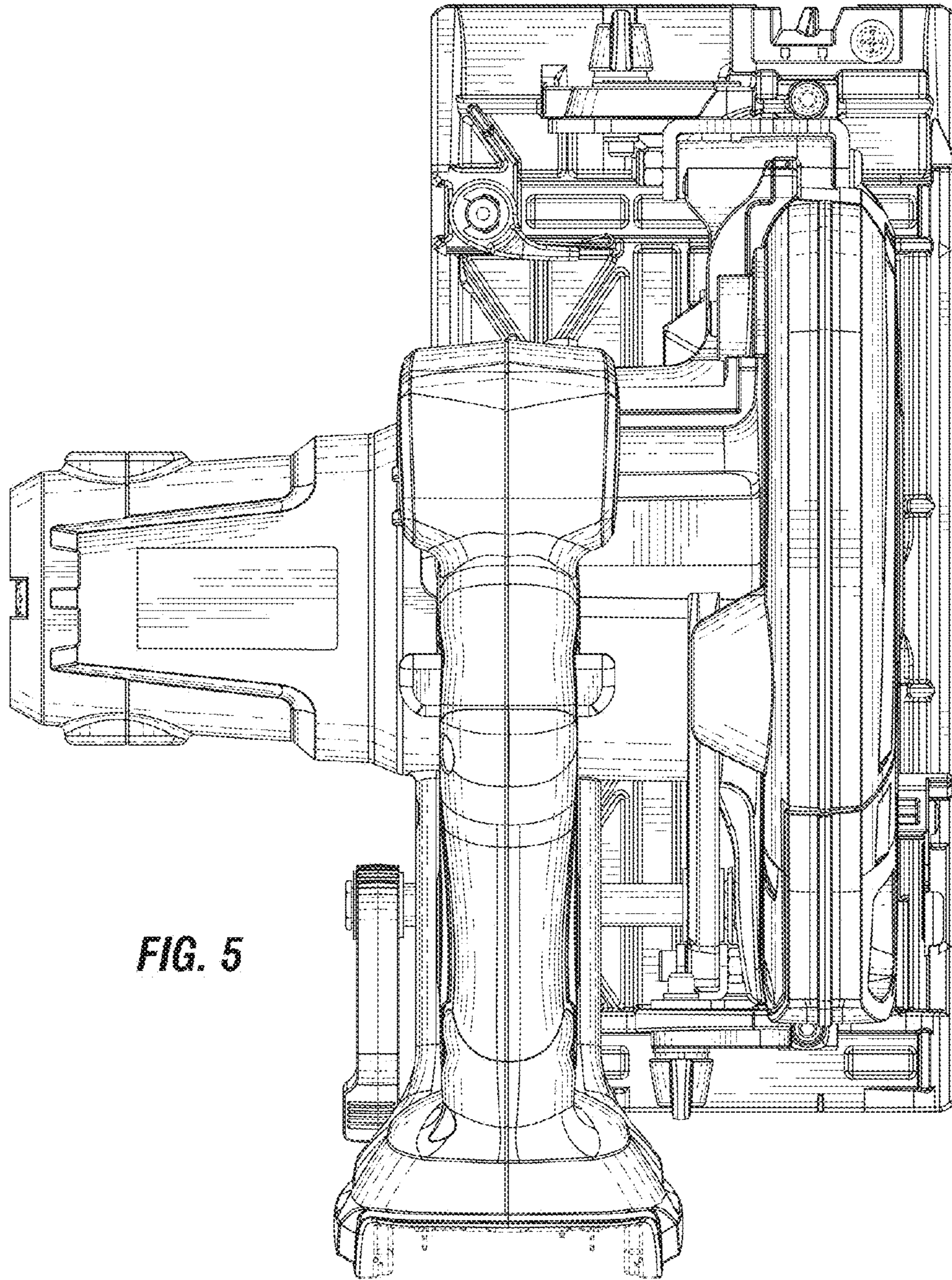


FIG. 5

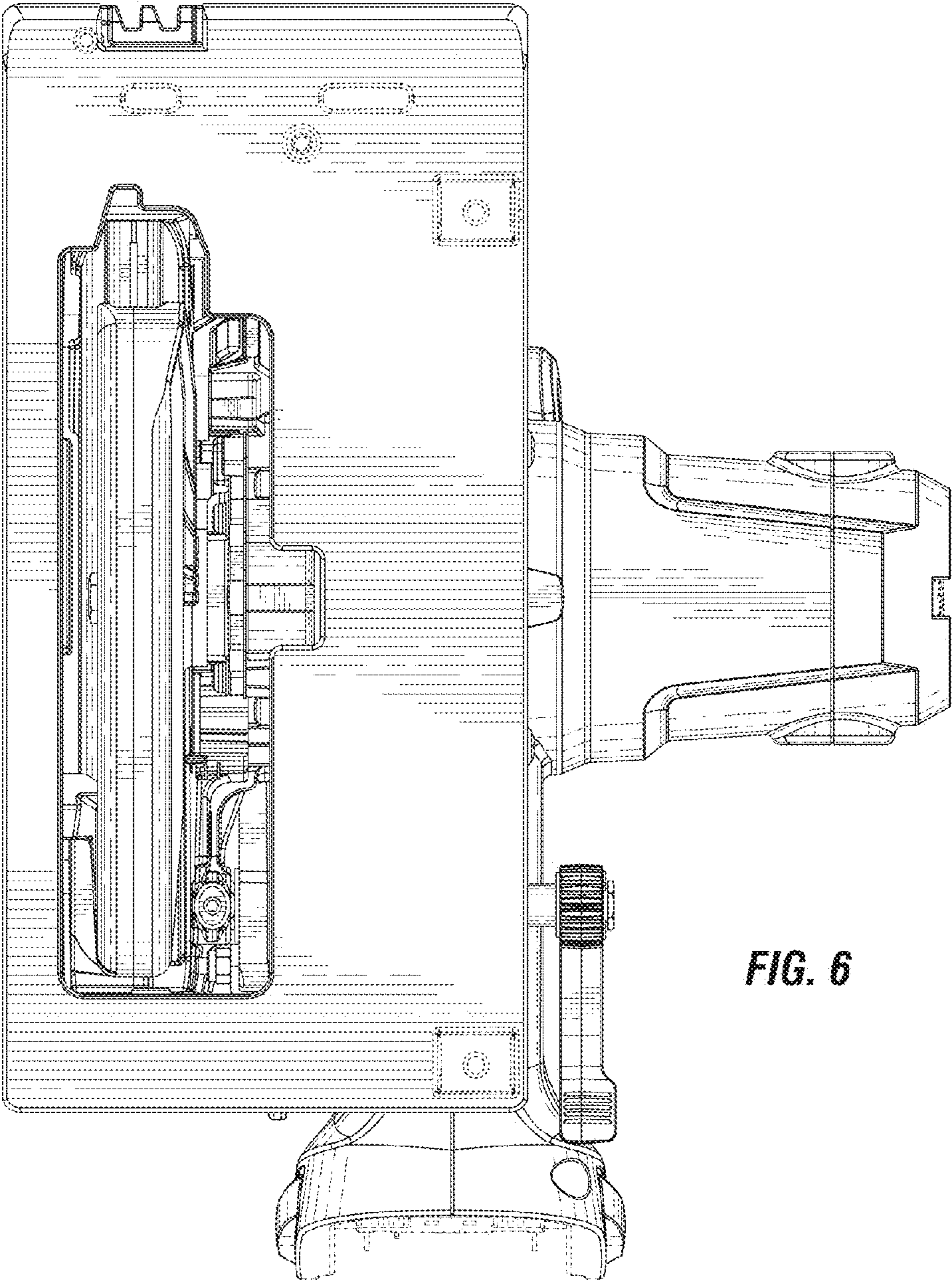


FIG. 6

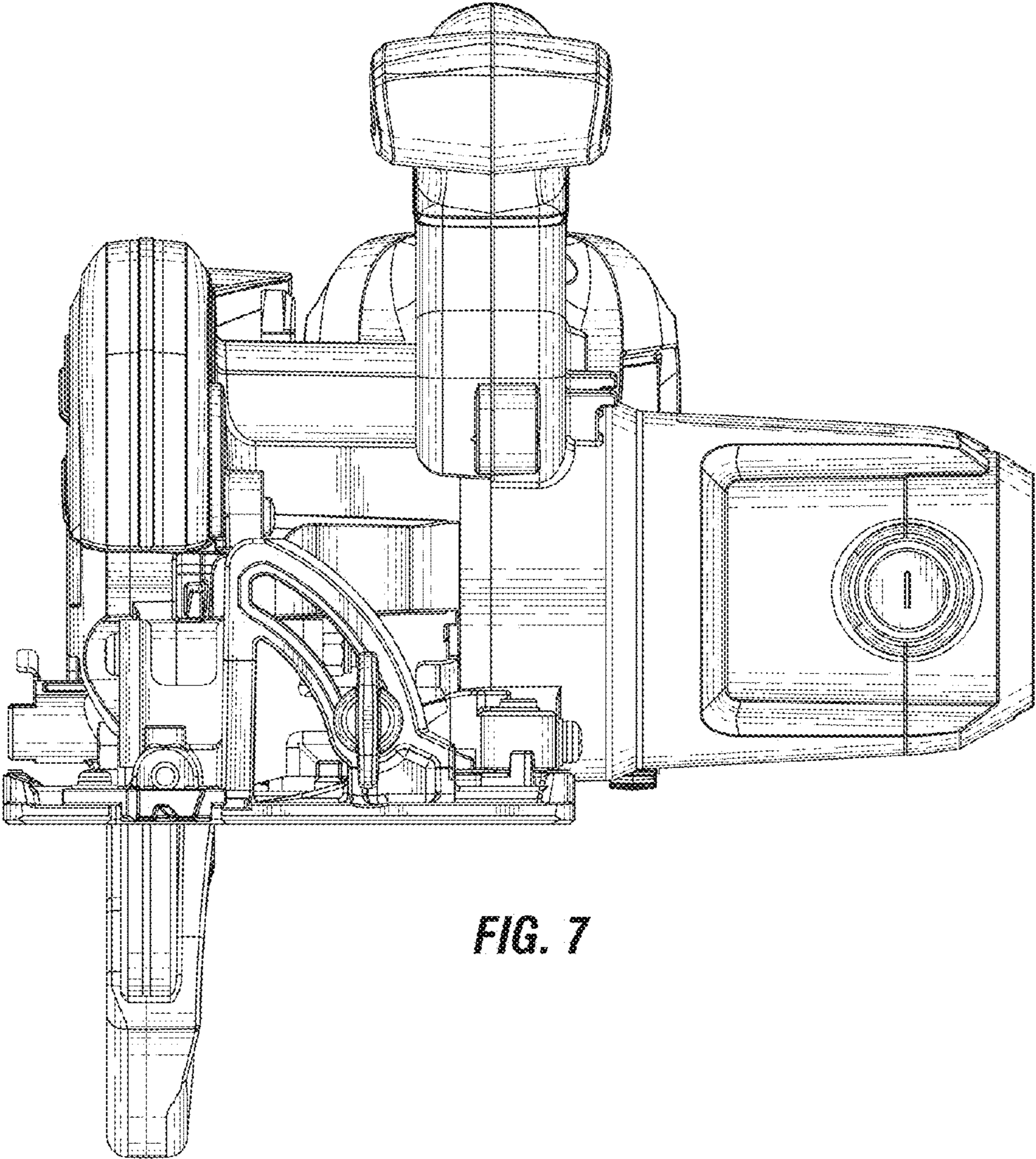


FIG. 7

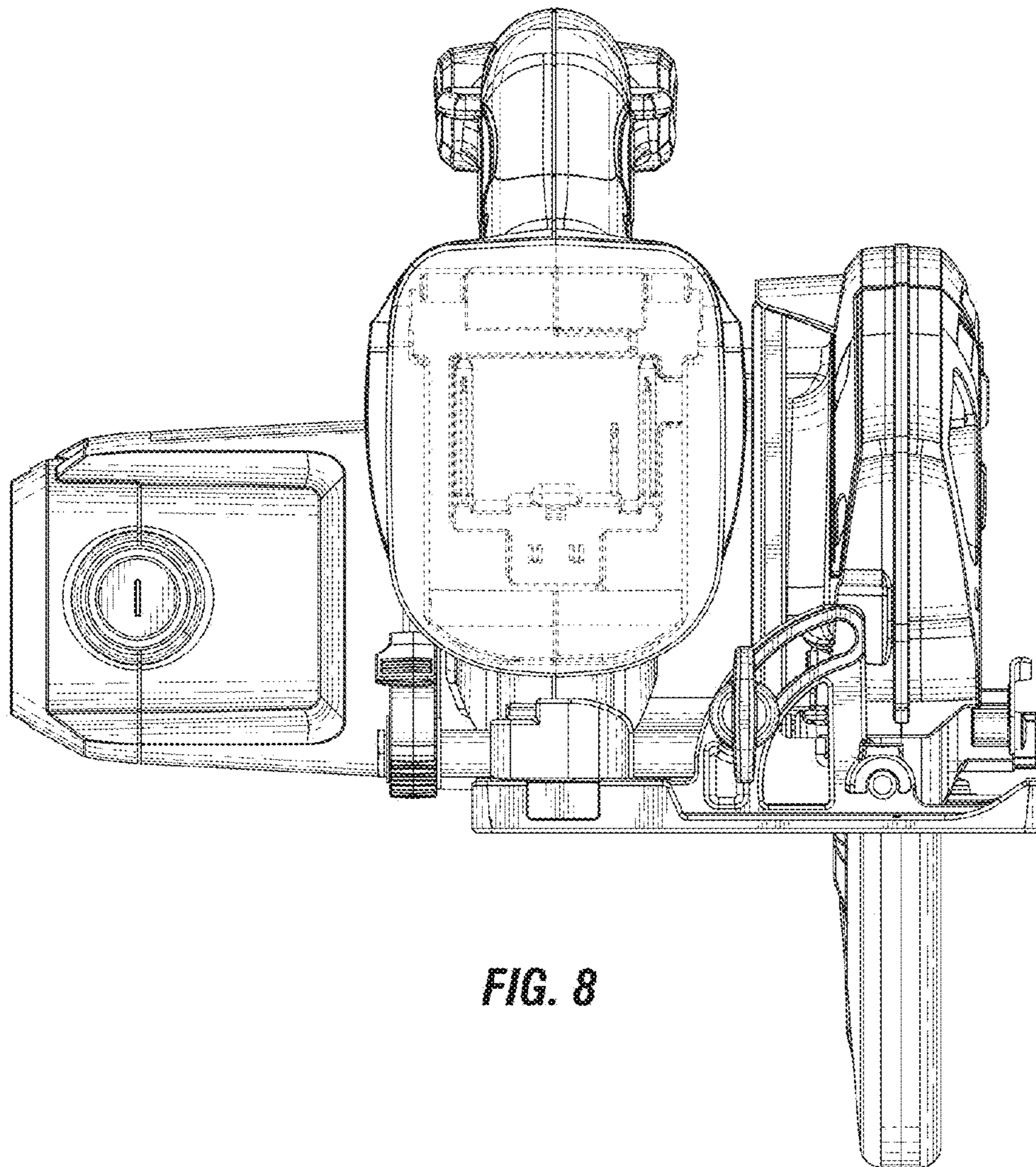


FIG. 8

