



US00D654338S

(12) **United States Design Patent**
Sagawa

(10) **Patent No.:** **US D654,338 S**

(45) **Date of Patent:** **** Feb. 21, 2012**

(54) **GRABBER**

(76) Inventor: **Hiroyuki Sagawa**, Sapporo (JP)

(**) Term: **14 Years**

(21) Appl. No.: **29/380,083**

(22) Filed: **Nov. 30, 2010**

(30) **Foreign Application Priority Data**

Jun. 1, 2010 (JP) 2010-013456 D

(51) **LOC (9) Cl.** **08-05**

(52) **U.S. Cl.** **D8/52**

(58) **Field of Classification Search** D8/58,
D8/57, 56, 55, 54, 52, 50, 4, 22, 20, 18, 107,
D8/105, 104; D24/153, 143; D22/150, 149;
D21/532; 81/302-304, 319, 320, 335, 336,
81/339-344, 368-370, 411; 72/409.01-409.04;
7/107, 127-134; 29/229, 268; 140/118,
140/119

See application file for complete search history.

(56) **References Cited**

U.S. PATENT DOCUMENTS

1,093,400	A	*	4/1914	Gottfrid	294/118
D222,689	S	*	12/1971	Futami	D8/4
D258,411	S	*	3/1981	Futami	D8/4
D273,455	S	*	4/1984	Teitelbaum et al.	D8/52
D281,195	S	*	10/1985	Kurz	D24/153
D362,607	S	*	9/1995	Fisher	D8/52

D378,042	S	*	2/1997	Jansson et al.	D8/52
D381,569	S	*	7/1997	Brantley	D8/52
D383,956	S	*	9/1997	Brantley	D8/52
D406,031	S	*	2/1999	Toshima	D8/52
D458,099	S	*	6/2002	Ruszczuk	D8/54
6,473,956	B1	*	11/2002	Tucker	29/268
D543,814	S	*	6/2007	Metcalf	D8/52
D543,815	S	*	6/2007	Metcalf	D8/52
D619,867	S	*	7/2010	Chiarelli	D8/52

* cited by examiner

Primary Examiner — Austin Murphy

(74) *Attorney, Agent, or Firm* — DLA Piper LLP (US)

(57) **CLAIM**

The ornamental design for a grabber, as shown and described.

DESCRIPTION

FIG. 1 is a front elevational view of the grabber showing my new design;
 FIG. 2 is a rear elevational view thereof;
 FIG. 3 is a right side elevational view thereof;
 FIG. 4 is a left side elevational view thereof;
 FIG. 5 is a top plan view thereof;
 FIG. 6 is a bottom plan view thereof;
 FIG. 7 is a front elevational view thereof with the blades opened; and,
 FIG. 8 is a perspective view taken from the front, top and left side of the grabber with the blades opened.
 The broken line representations in Figures are for purpose of illustration only and not a part of the design.

1 Claim, 3 Drawing Sheets

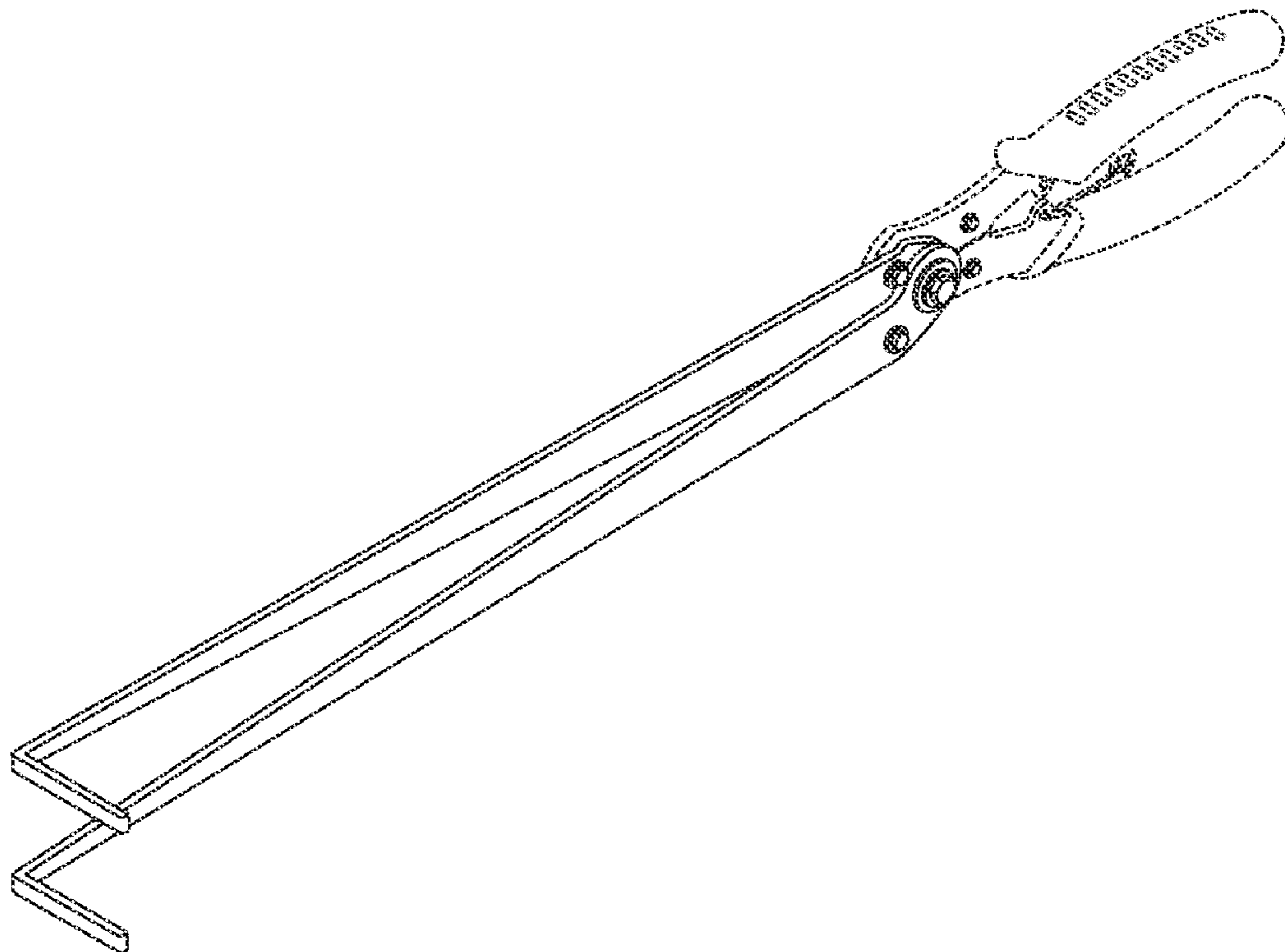


FIG. 1

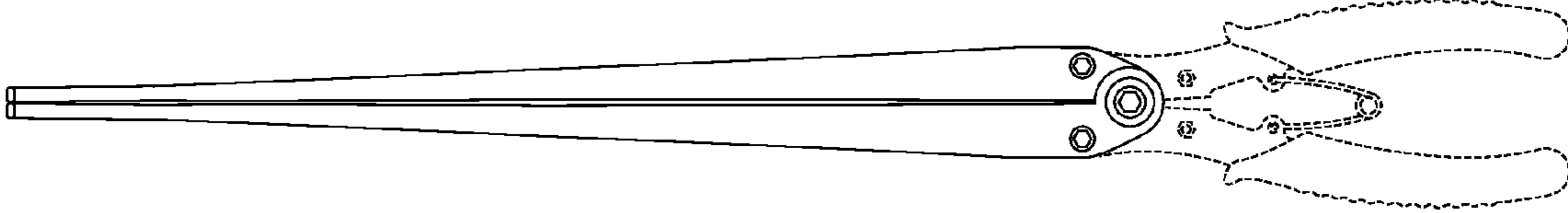


FIG. 2

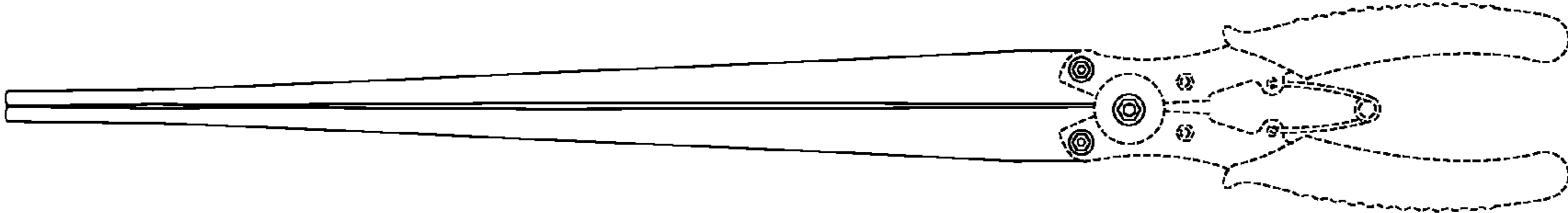


FIG. 3

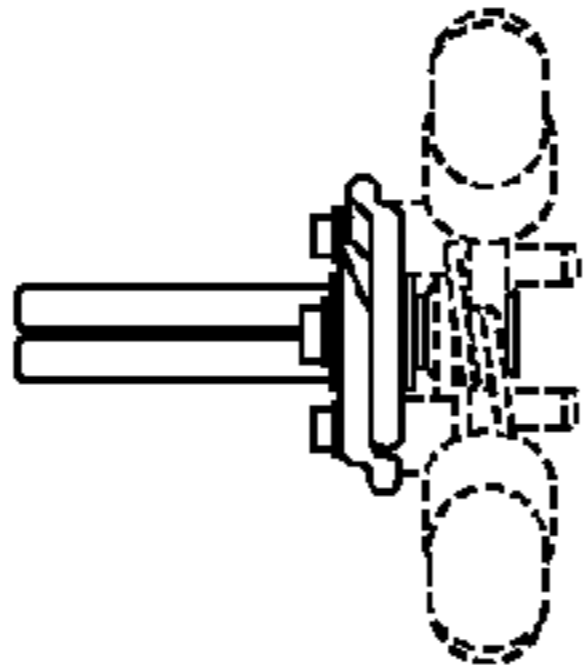


FIG. 4

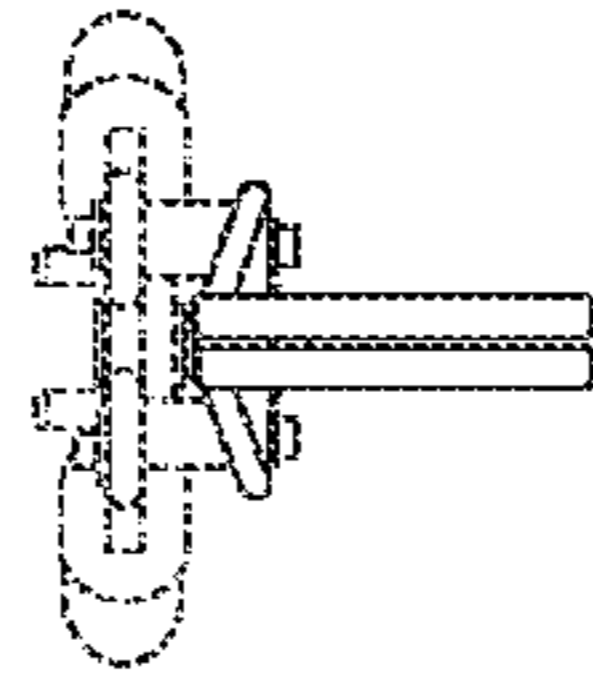


FIG. 5

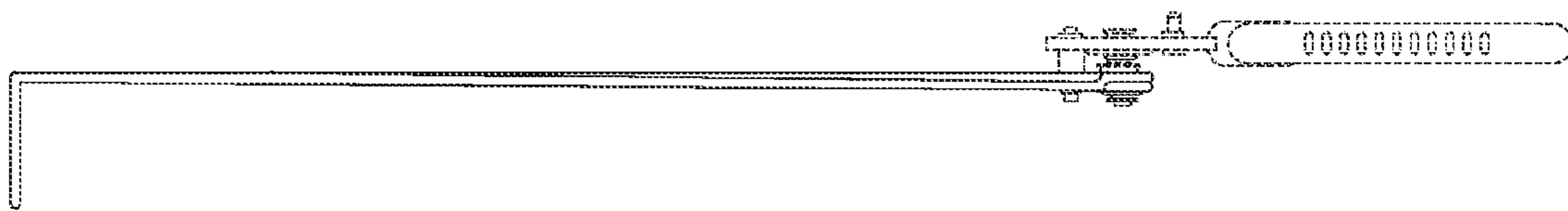


FIG. 6

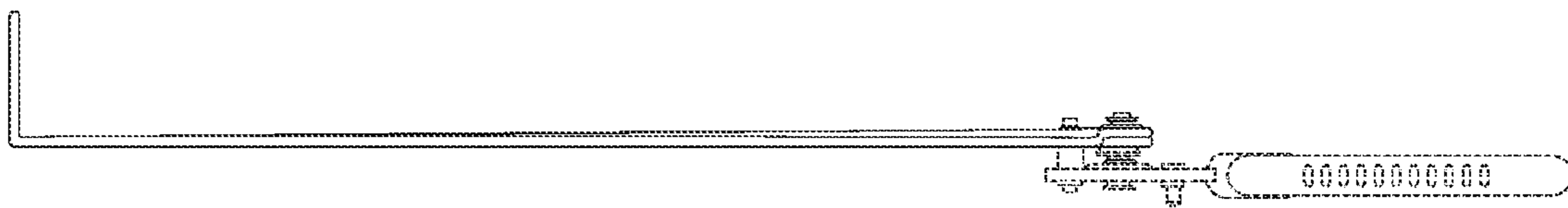


FIG. 7

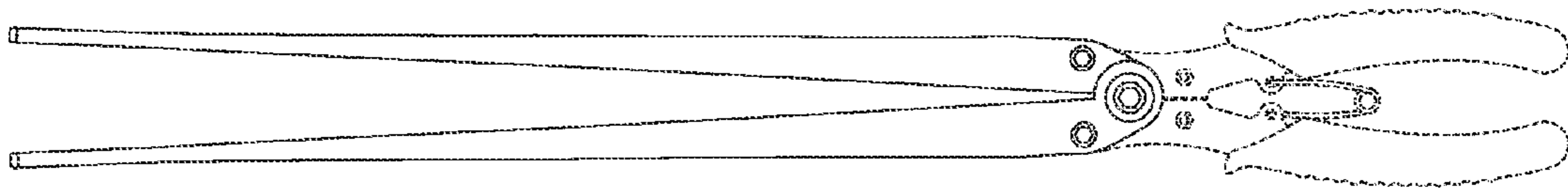


FIG. 8

