



US00D654337S

(12) **United States Design Patent**
Huang

(10) **Patent No.:** **US D654,337 S**

(45) **Date of Patent:** **** Feb. 21, 2012**

(54) **RATCHET WRENCH**

(76) Inventor: **Ping-Chung Huang**, Taichung (TW)

(**) Term: **14 Years**

(21) Appl. No.: **29/397,039**

(22) Filed: **Jul. 11, 2011**

(51) **LOC (9) Cl.** **08-05**

(52) **U.S. Cl.** **D8/25**

(58) **Field of Classification Search** D8/17,
D8/21-29, 354, 107; 81/60, 177.1, 177.85,
81/121.1, 124.3, 165-170, 110.1, 176.2,
81/124.6, 176.1, 176.15, 177.2, 186; 16/110.1;
D15/144.1, 143; 219/75, 227, 229, 121.16,
219/121.18

See application file for complete search history.

(56) **References Cited**

U.S. PATENT DOCUMENTS

1,811,137	A *	6/1931	Kress	81/124.3
4,819,521	A *	4/1989	Lang	81/63
D332,730	S *	1/1993	Usuda	D8/25
6,971,286	B2 *	12/2005	Hu	81/63.2
7,032,478	B2 *	4/2006	Hu	81/63.2

D551,525	S *	9/2007	Desbrunes	D8/28
D601,871	S *	10/2009	Murray	D8/28
D632,535	S *	2/2011	Kriz et al.	D8/28
D636,648	S *	4/2011	Kriz	D8/28
D640,518	S *	6/2011	Kriz et al.	D8/28

* cited by examiner

Primary Examiner — Robert M Spear

Assistant Examiner — Randall Gholson

(74) *Attorney, Agent, or Firm* — Wang Law Firm, Inc.; Li K. Wang

(57) **CLAIM**

The ornamental design for a ratchet wrench, as shown and described.

DESCRIPTION

FIG. 1 is a perspective view of a ratchet wrench showing my new design;

FIG. 2 is a front elevational view thereof;

FIG. 3 is a rear elevational view thereof;

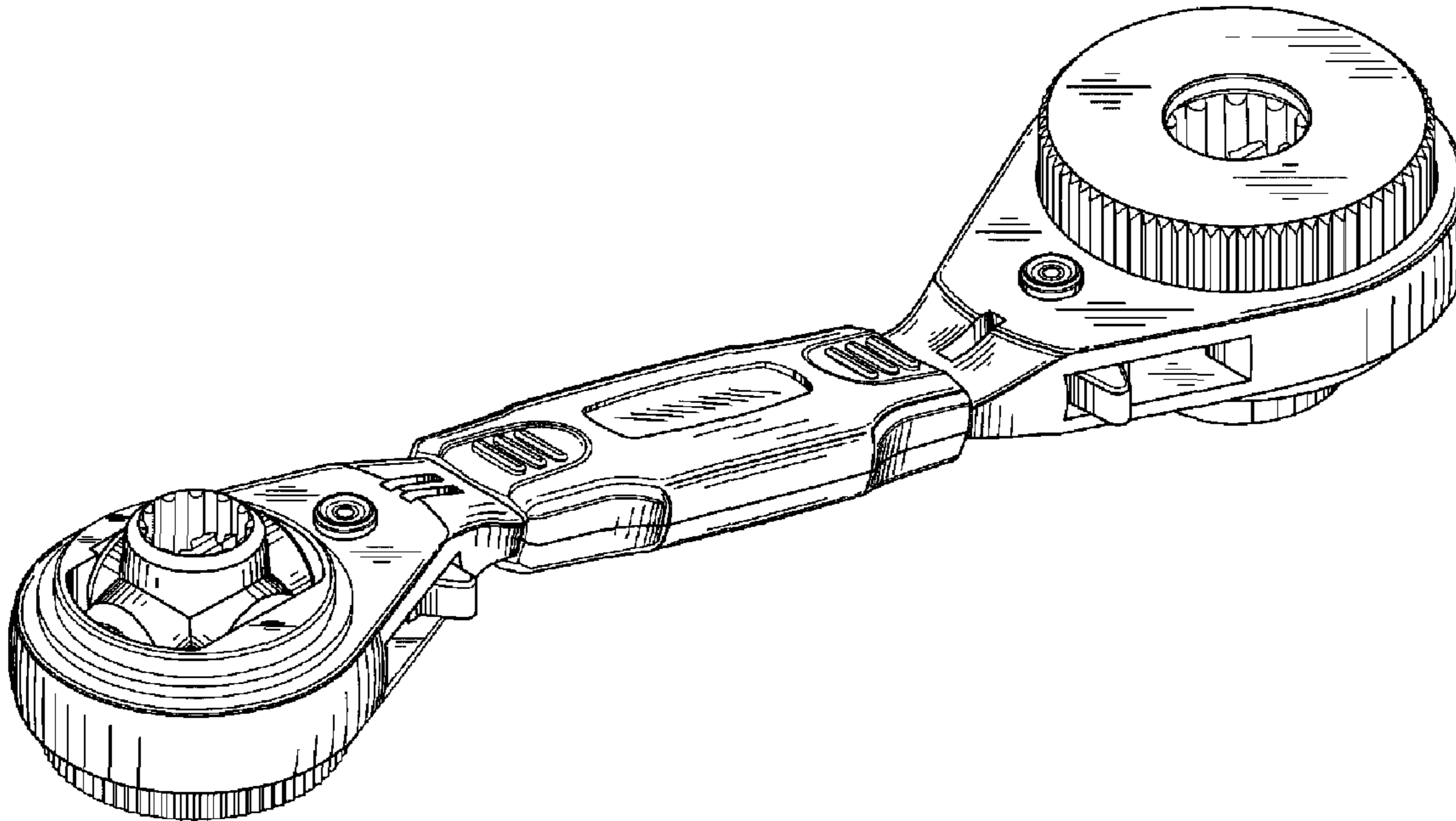
FIG. 4 is a left side view thereof;

FIG. 5 is a right side view thereof;

FIG. 6 is a top plan view thereof; and,

FIG. 7 is a bottom plan view thereof.

1 Claim, 6 Drawing Sheets



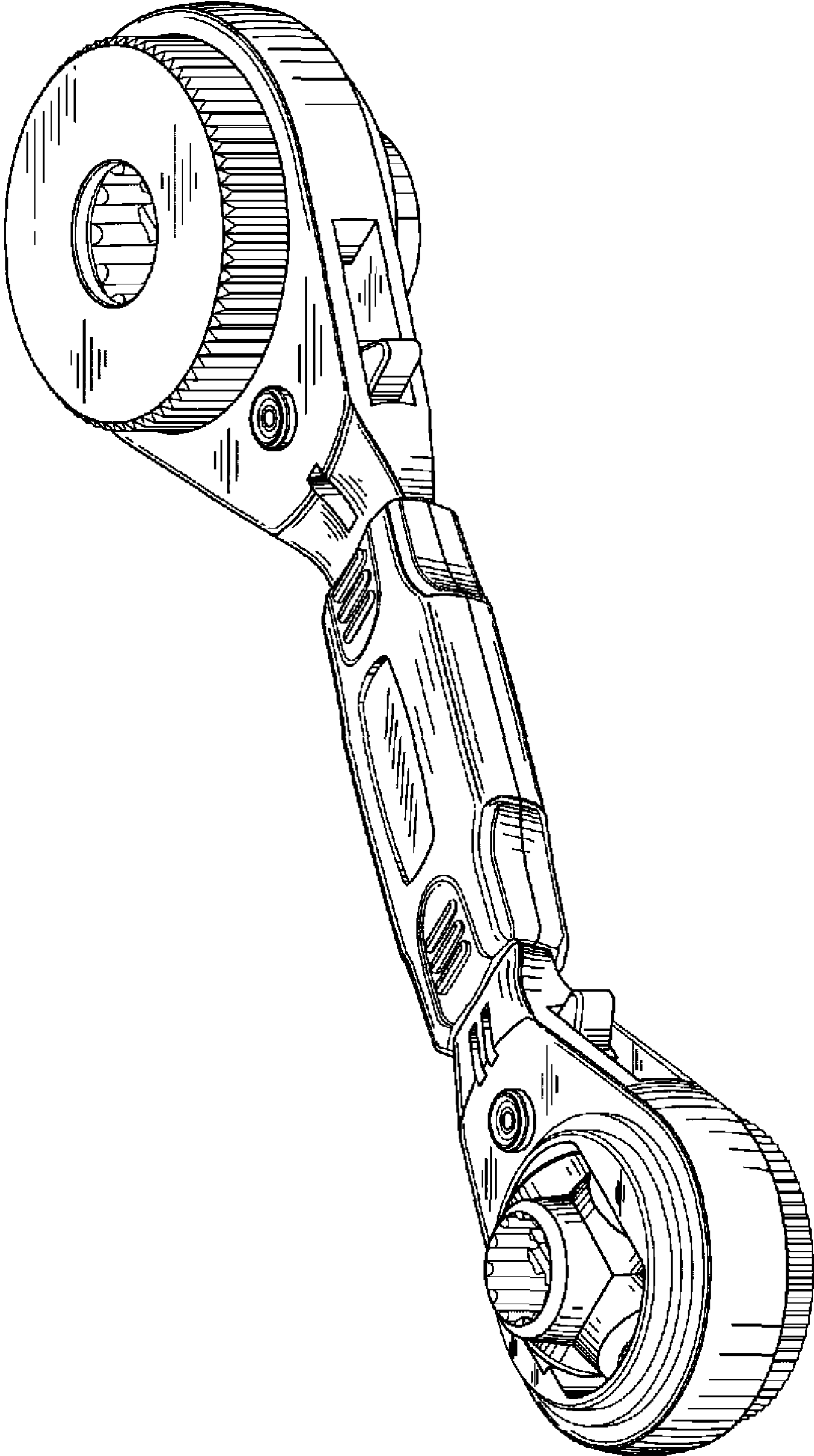


FIG. 1

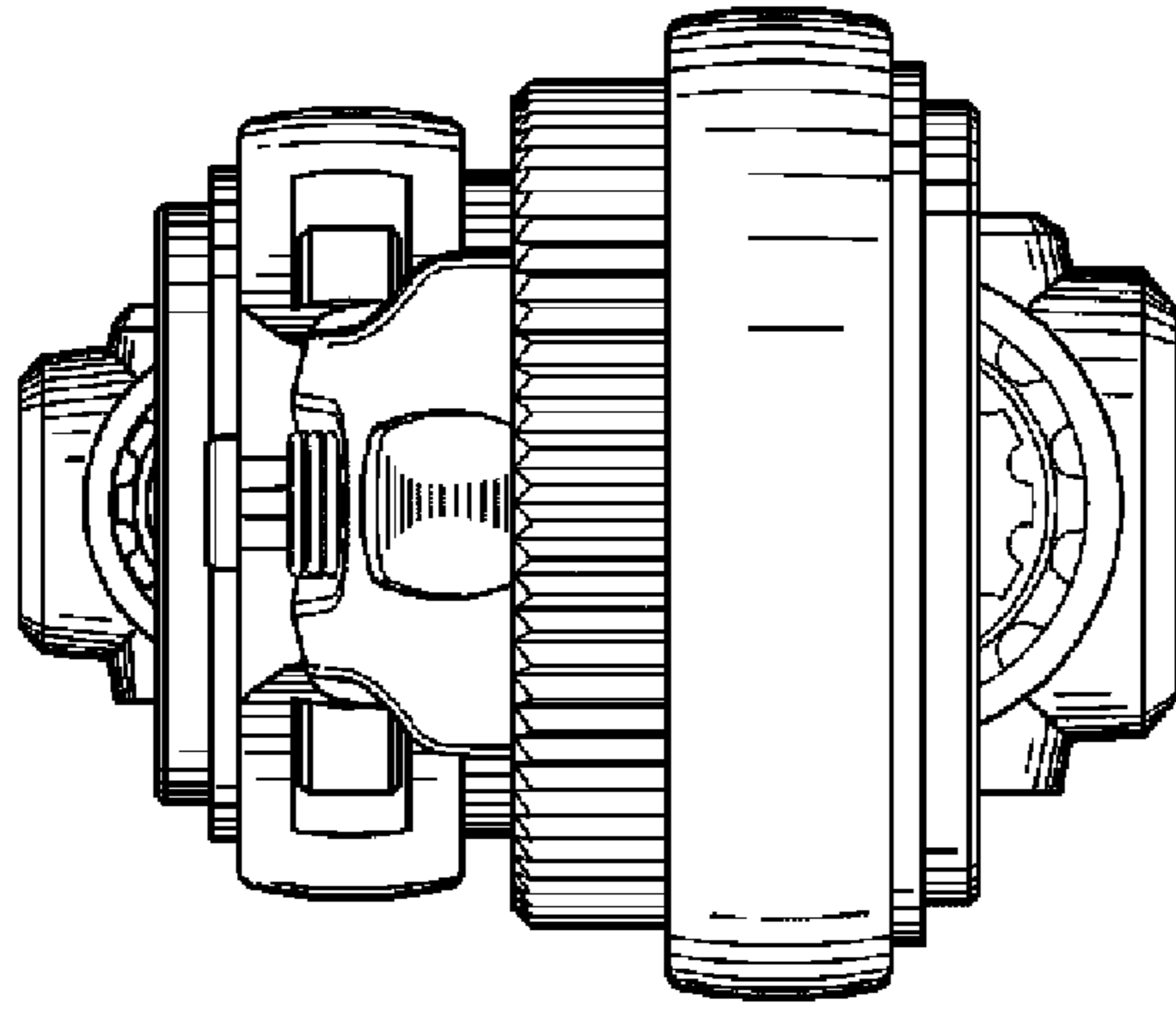


FIG. 3

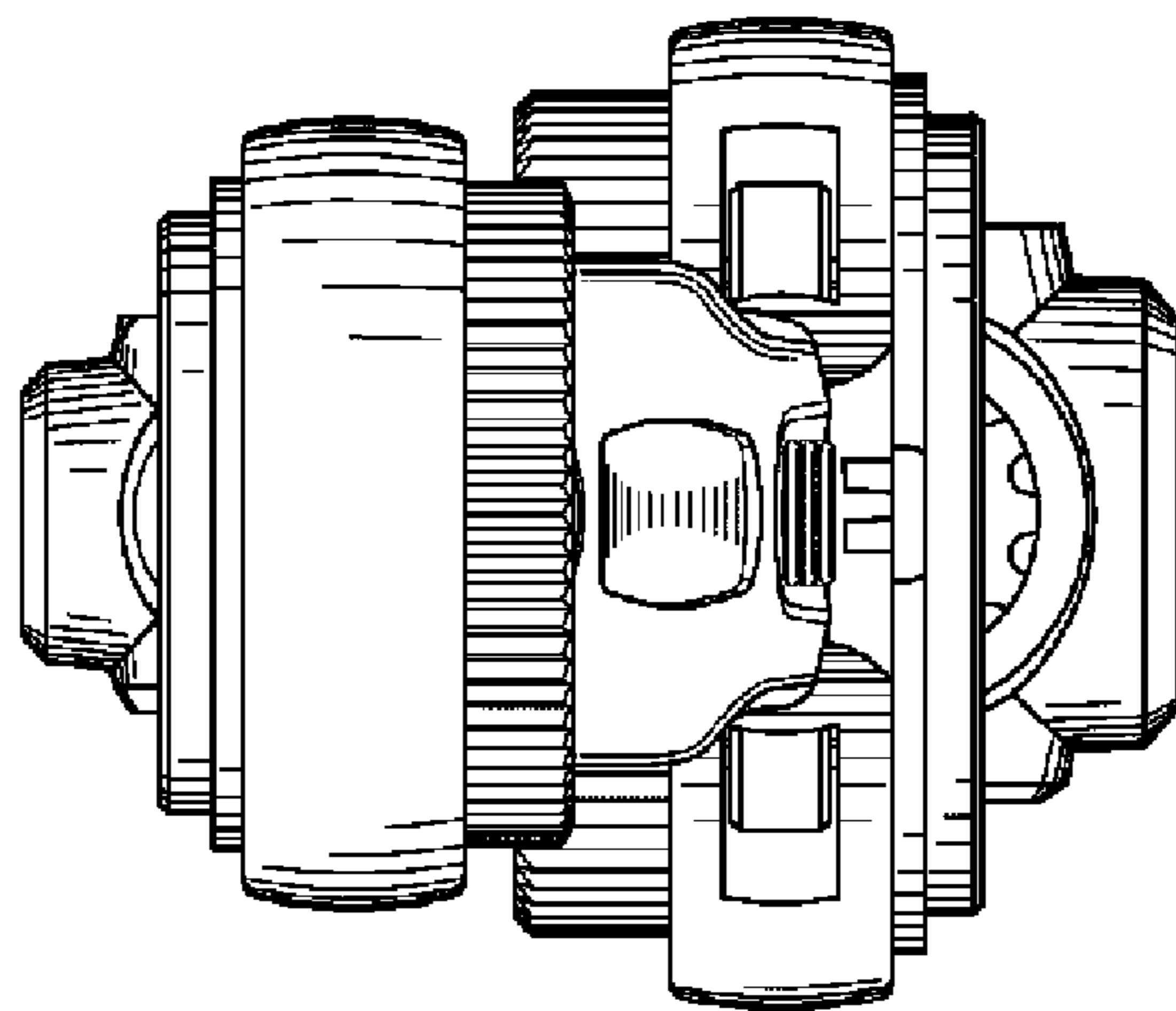


FIG. 2

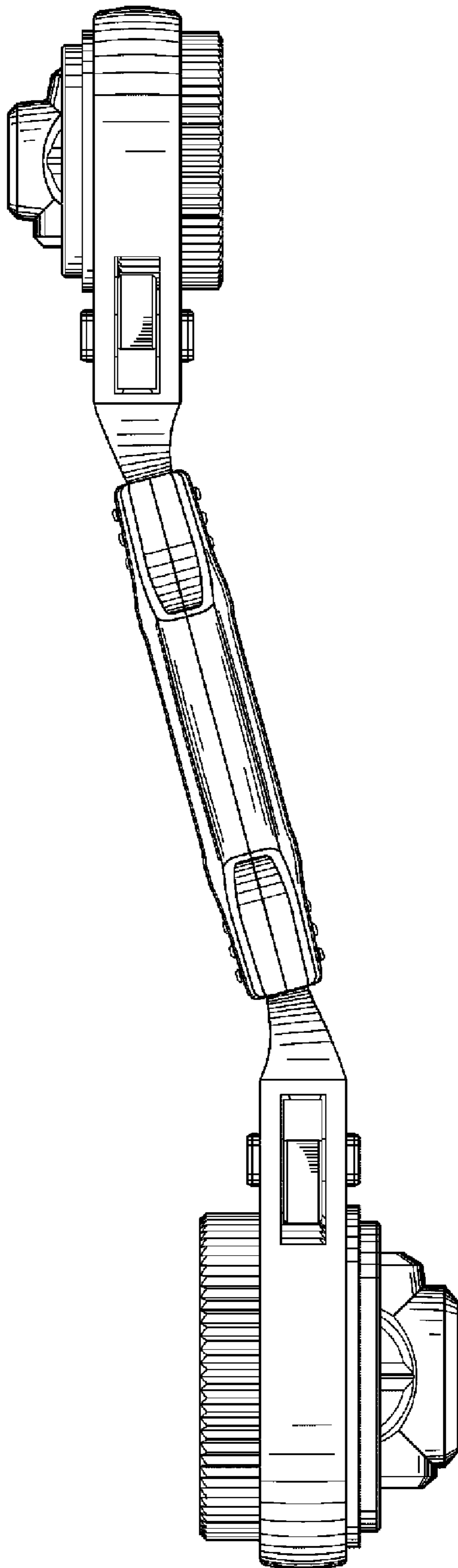


FIG. 4

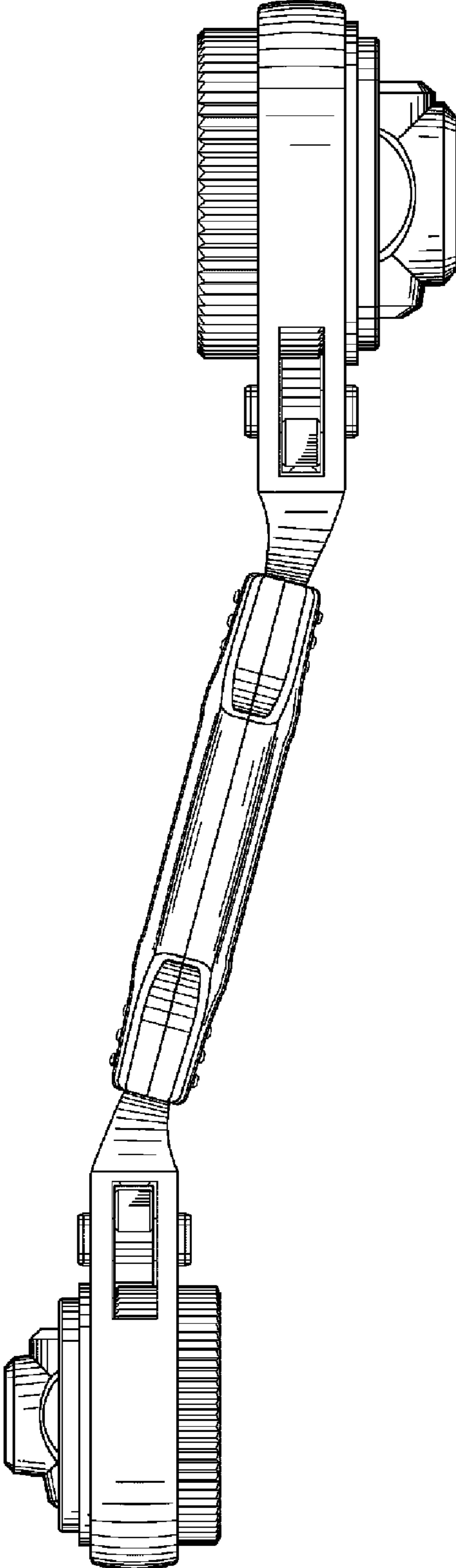


FIG. 5

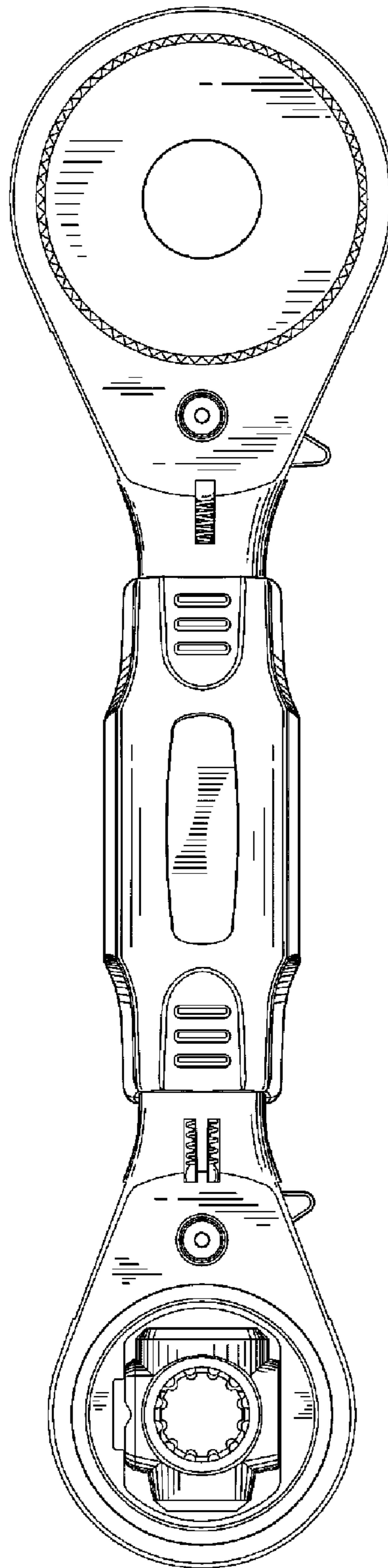


FIG. 6

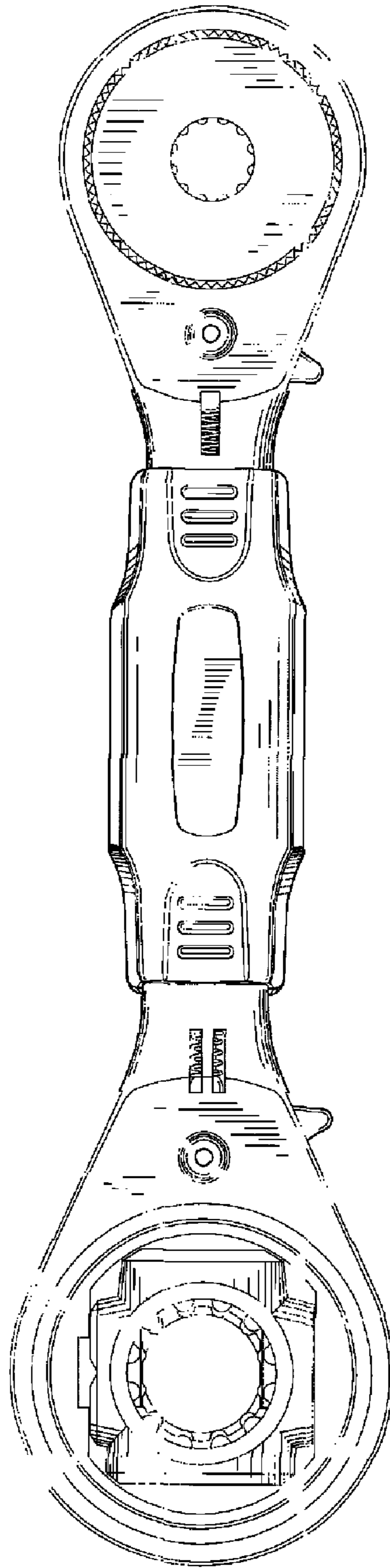


FIG. 7