



US00D654336S

(12) **United States Design Patent**
Delgigante et al.

(10) **Patent No.:** **US D654,336 S**

(45) **Date of Patent:** **** Feb. 21, 2012**

(54) **APPLICATOR**

(75) Inventors: **Jesse Delgigante**, Essex Falls, NJ (US);
Christopher Leonard Padain,
Hoboken, NJ (US)

(73) Assignee: **Reckitt Benckiser LLC.**, Parsippany, NJ
(US)

(**) Term: **14 Years**

(21) Appl. No.: **29/383,660**

(22) Filed: **Jan. 20, 2011**

(30) **Foreign Application Priority Data**

Jul. 23, 2010 (EM) 001735564

(51) **LOC (9) Cl.** **08-05**

(52) **U.S. Cl.** **D8/14; D9/727; D23/208; D32/35**

(58) **Field of Classification Search** D8/14,
D8/14.1; D9/723, 272, 728, 729; D23/208;
D32/35, 45; 4/223, 225.1, 227.1, 231; 15/145,
15/147.1

See application file for complete search history.

(56) **References Cited**

U.S. PATENT DOCUMENTS

4,852,201 A * 8/1989 Wundrock et al. 15/145
D414,105 S * 9/1999 Wilson et al. D9/727

D416,389 S * 11/1999 Frazier D32/45
D427,520 S * 7/2000 Crawford D9/728
D480,959 S * 10/2003 Dewood D9/723
D496,511 S * 9/2004 Colburn et al. D32/45
6,948,193 B2 * 9/2005 Hsu 4/227.1
D511,446 S * 11/2005 Pereira et al. D8/14.1
D528,012 S * 9/2006 Snyder D9/727
D613,367 S * 4/2010 Burt et al. D23/208

* cited by examiner

Primary Examiner — Brian N Vinson

(74) *Attorney, Agent, or Firm* — Norris McLaughlin &
Marcus, PA

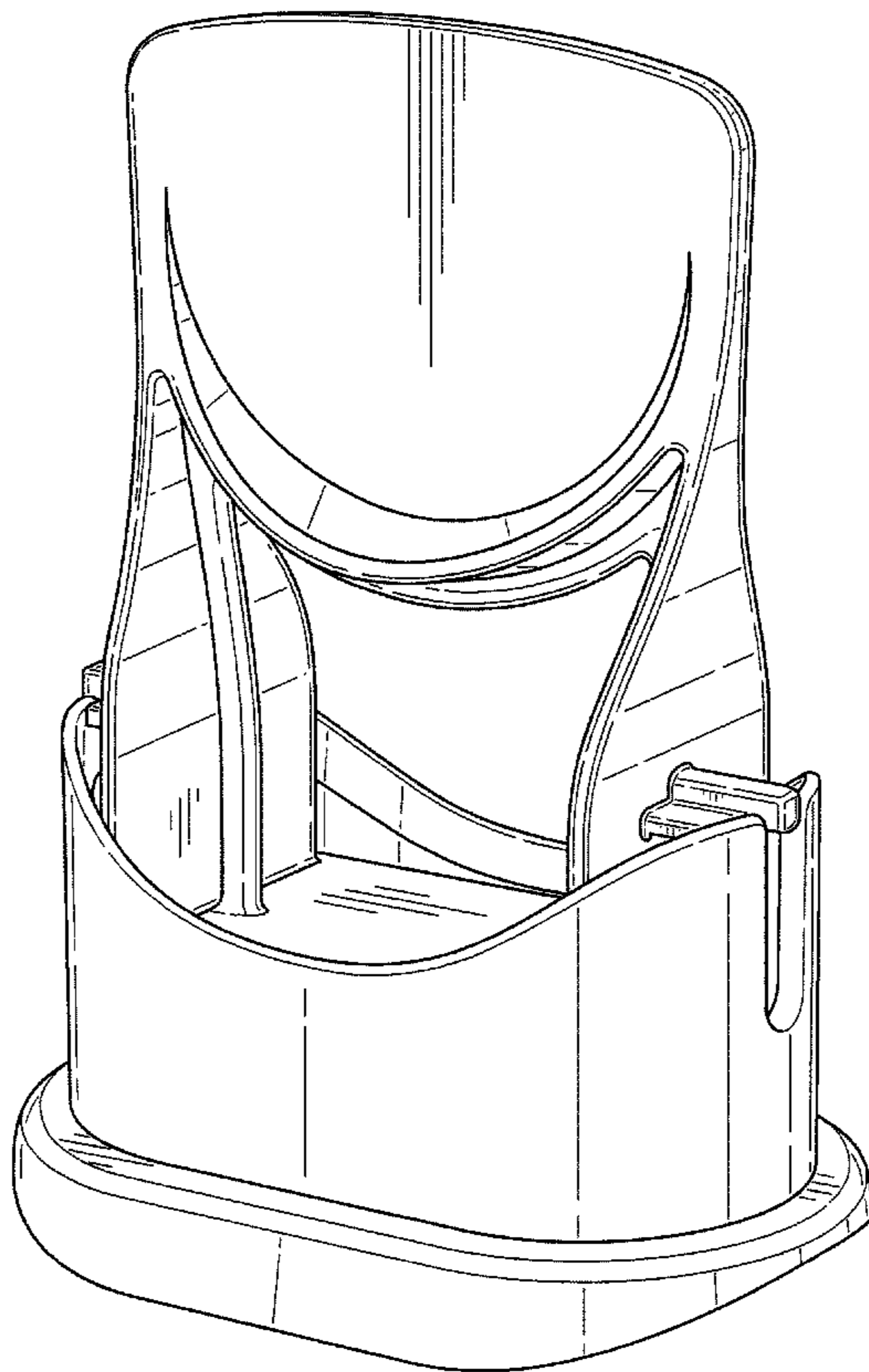
(57) **CLAIM**

The ornamental design for an applicator, as shown and
described.

DESCRIPTION

FIG. 1 is a front perspective view of an applicator showing our
new design;
FIG. 2 is a front elevational view thereof;
FIG. 3 is a rear elevational view thereof;
FIG. 4 is a right side elevational view thereof;
FIG. 5 is a left side elevational view thereof;
FIG. 6 is a top plan view thereof; and,
FIG. 7 is a bottom plan view thereof.

1 Claim, 6 Drawing Sheets



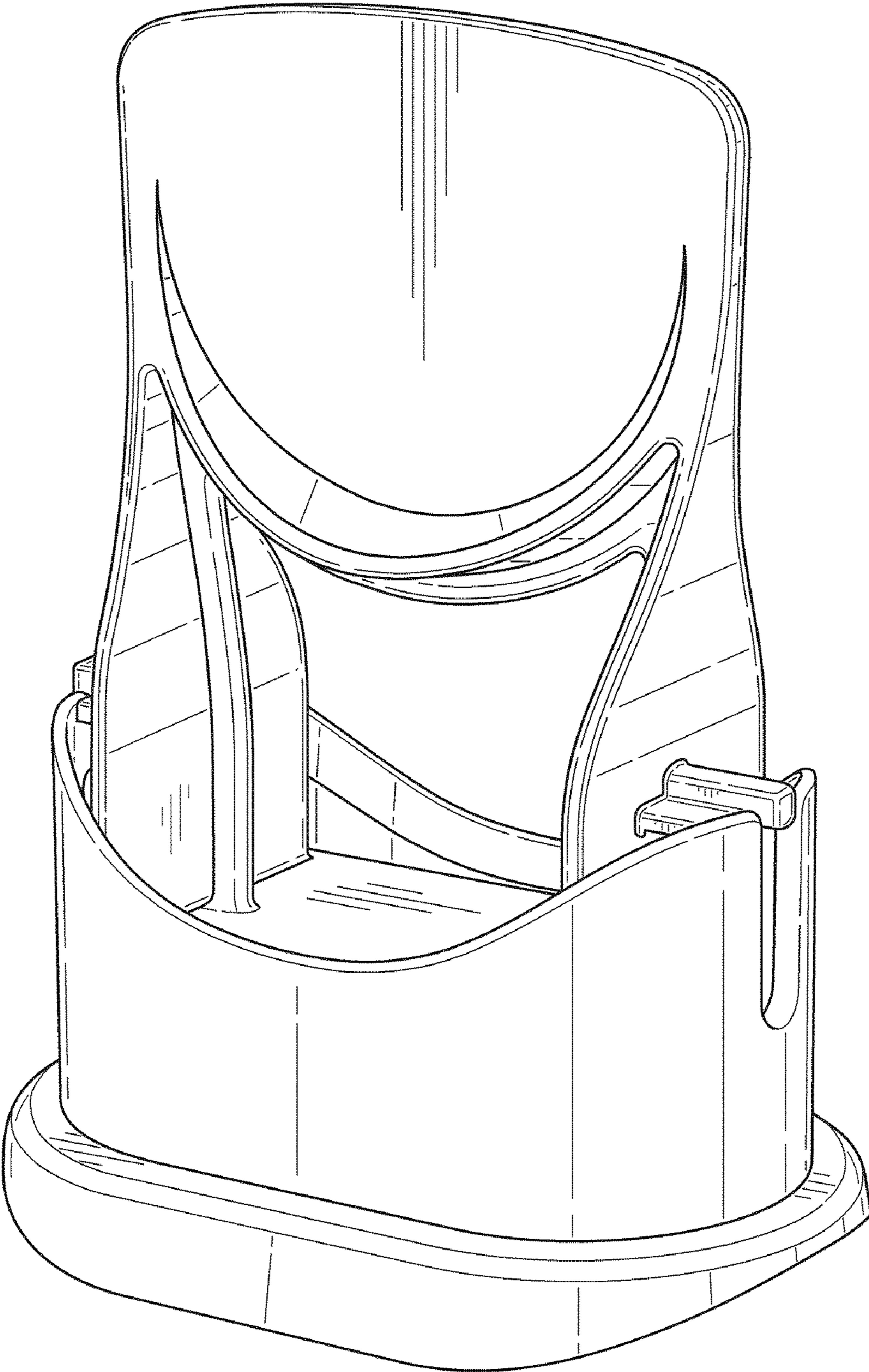


Fig. 1.

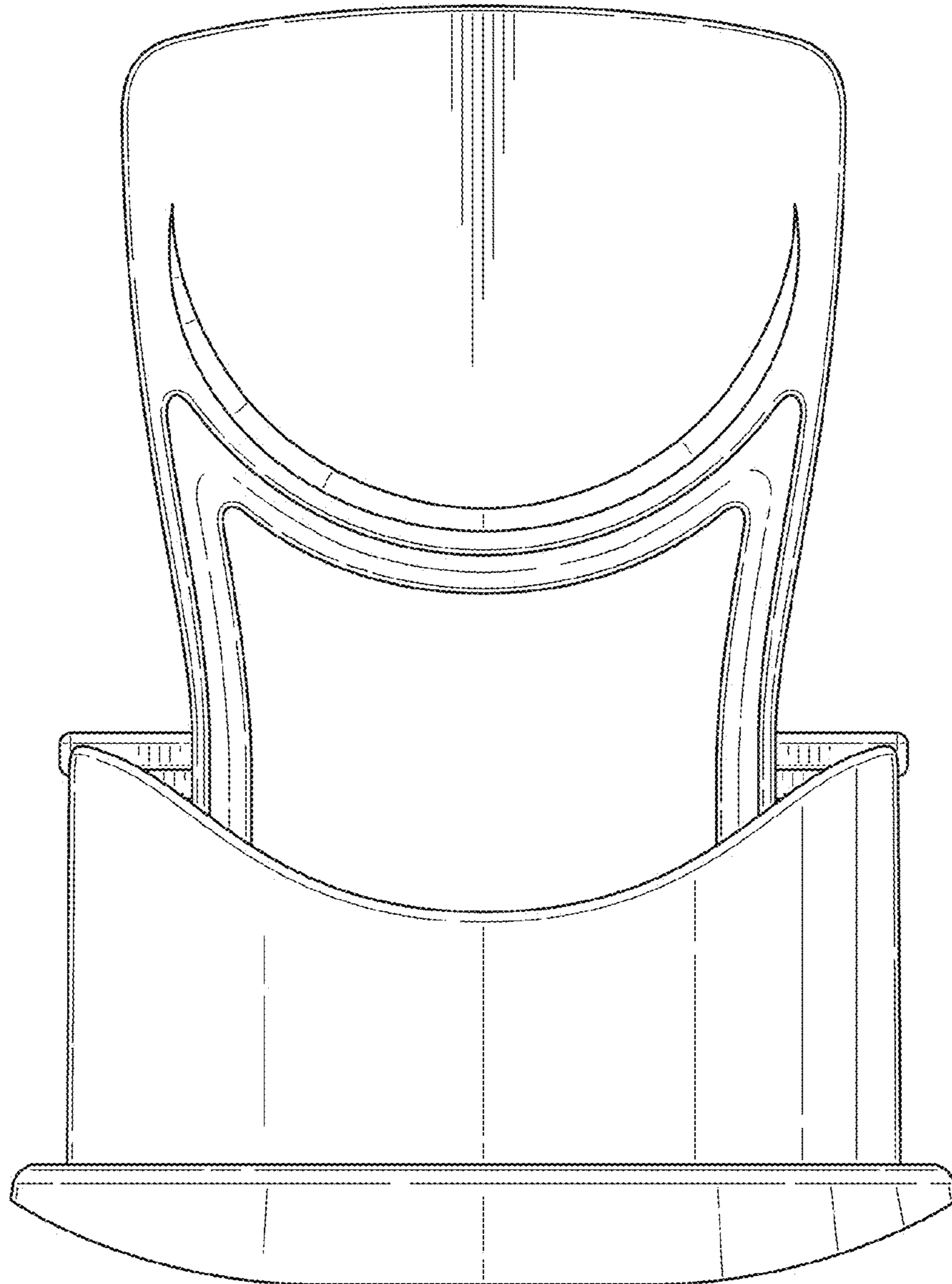


Fig.2.

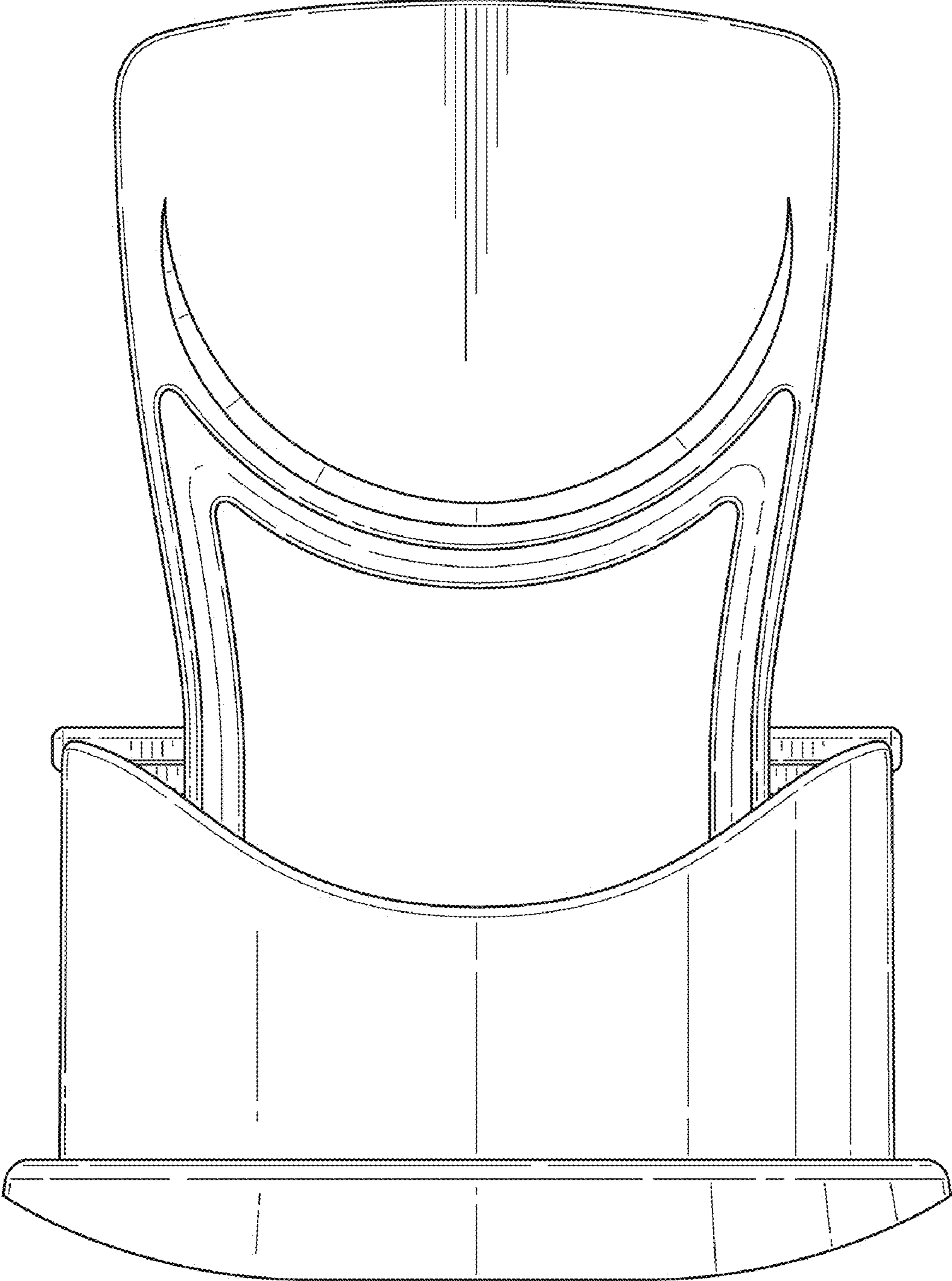


Fig.3.

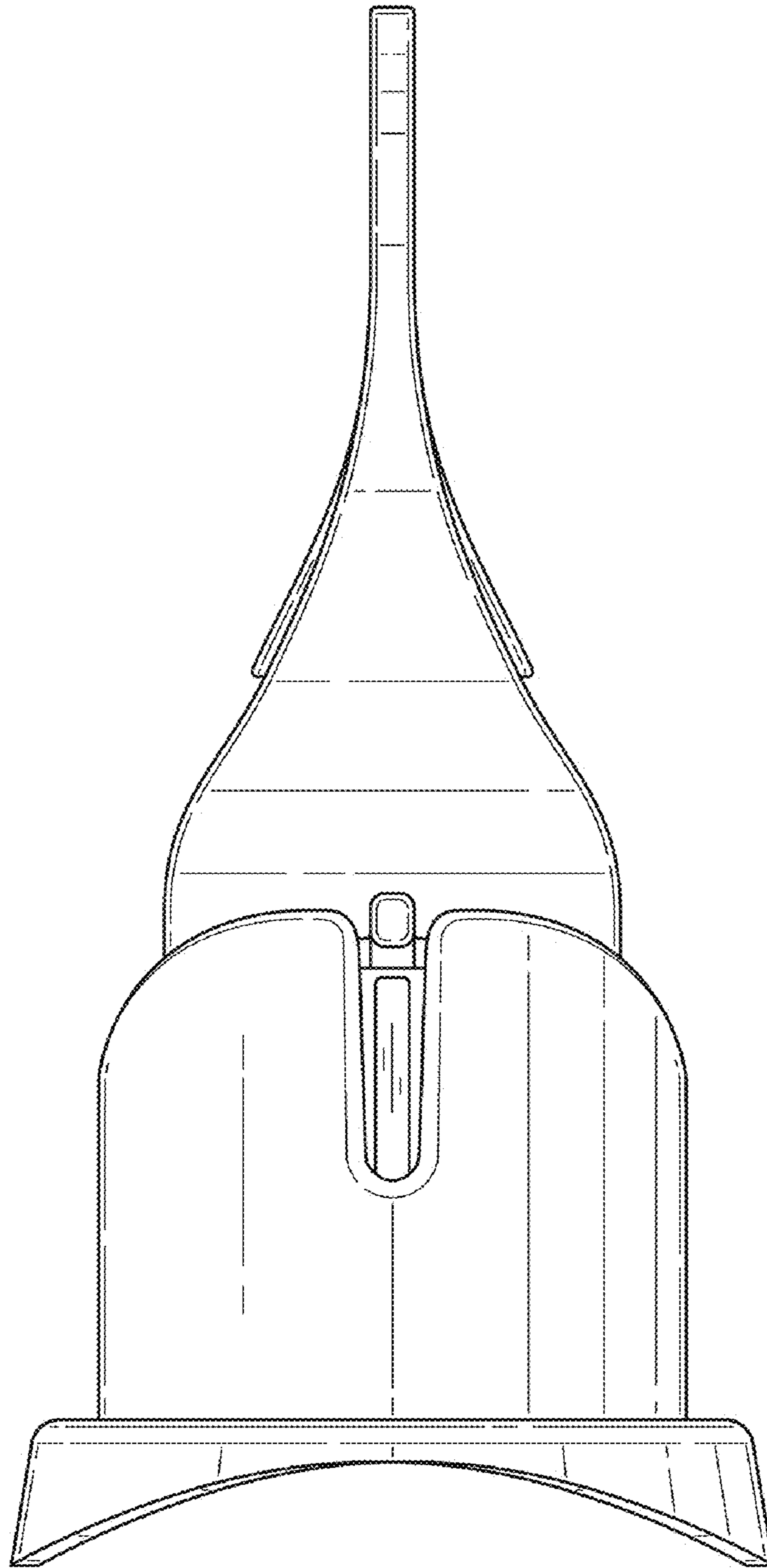


Fig. 4.

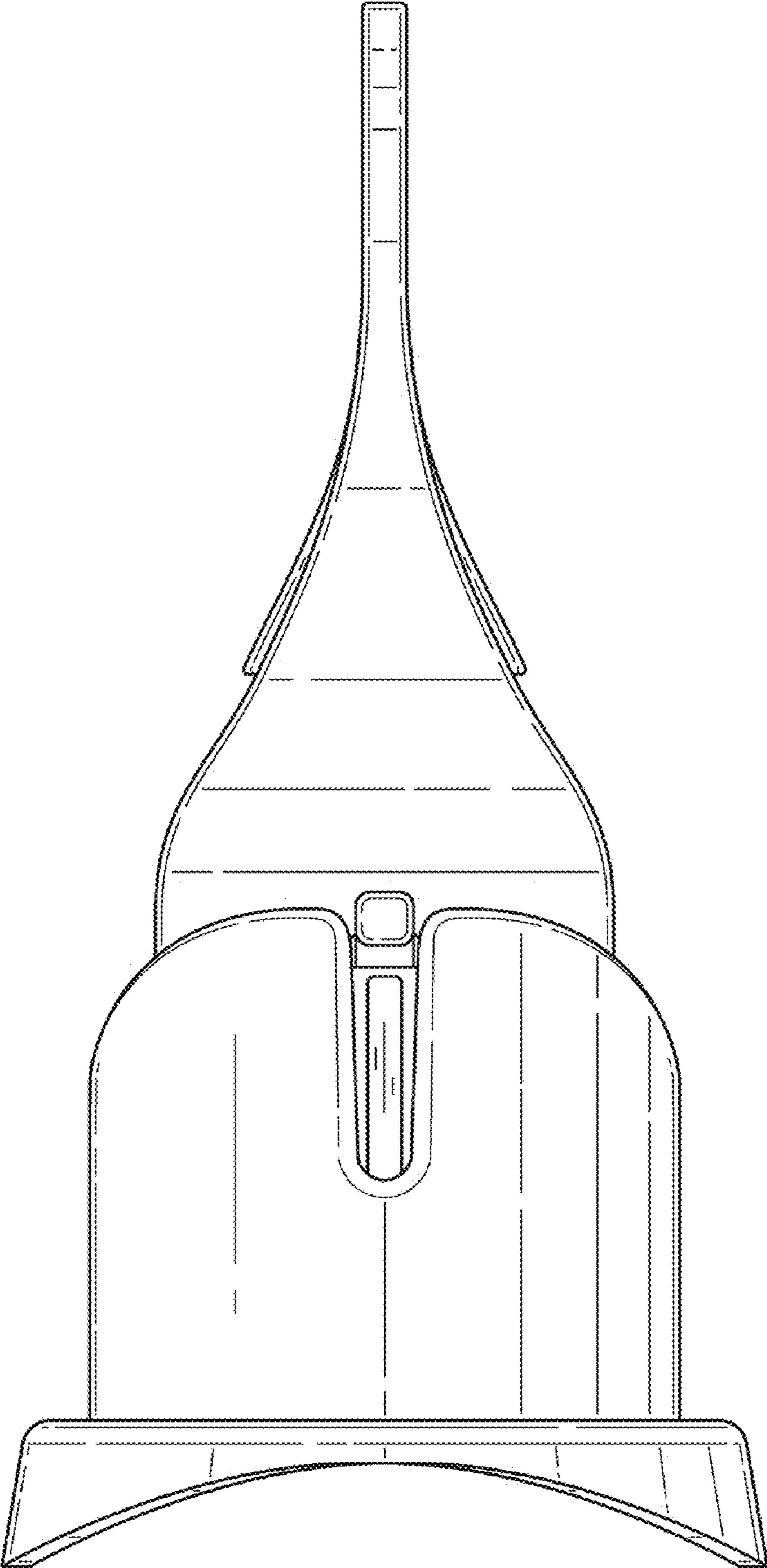


Fig. 5.

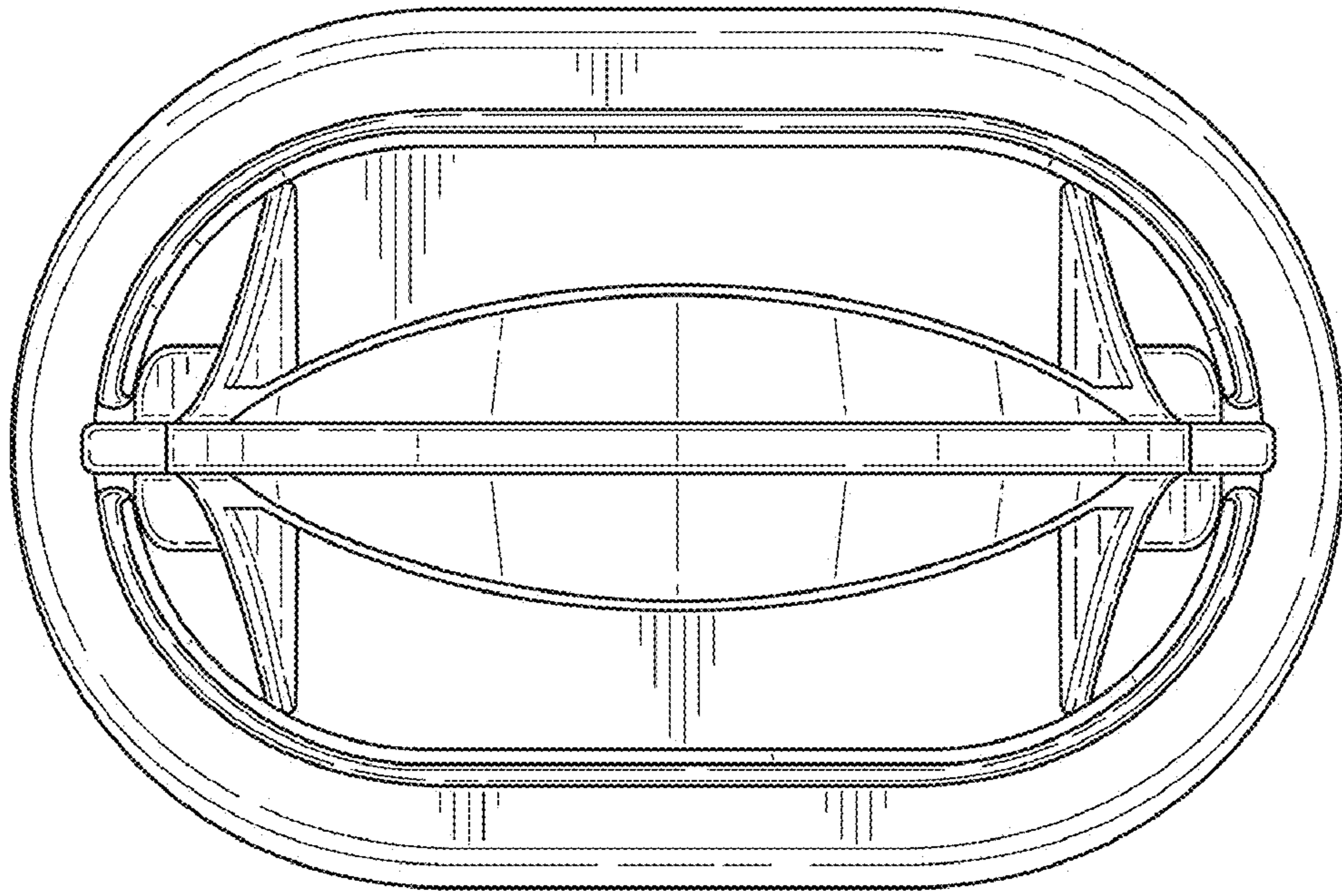


Fig.6.

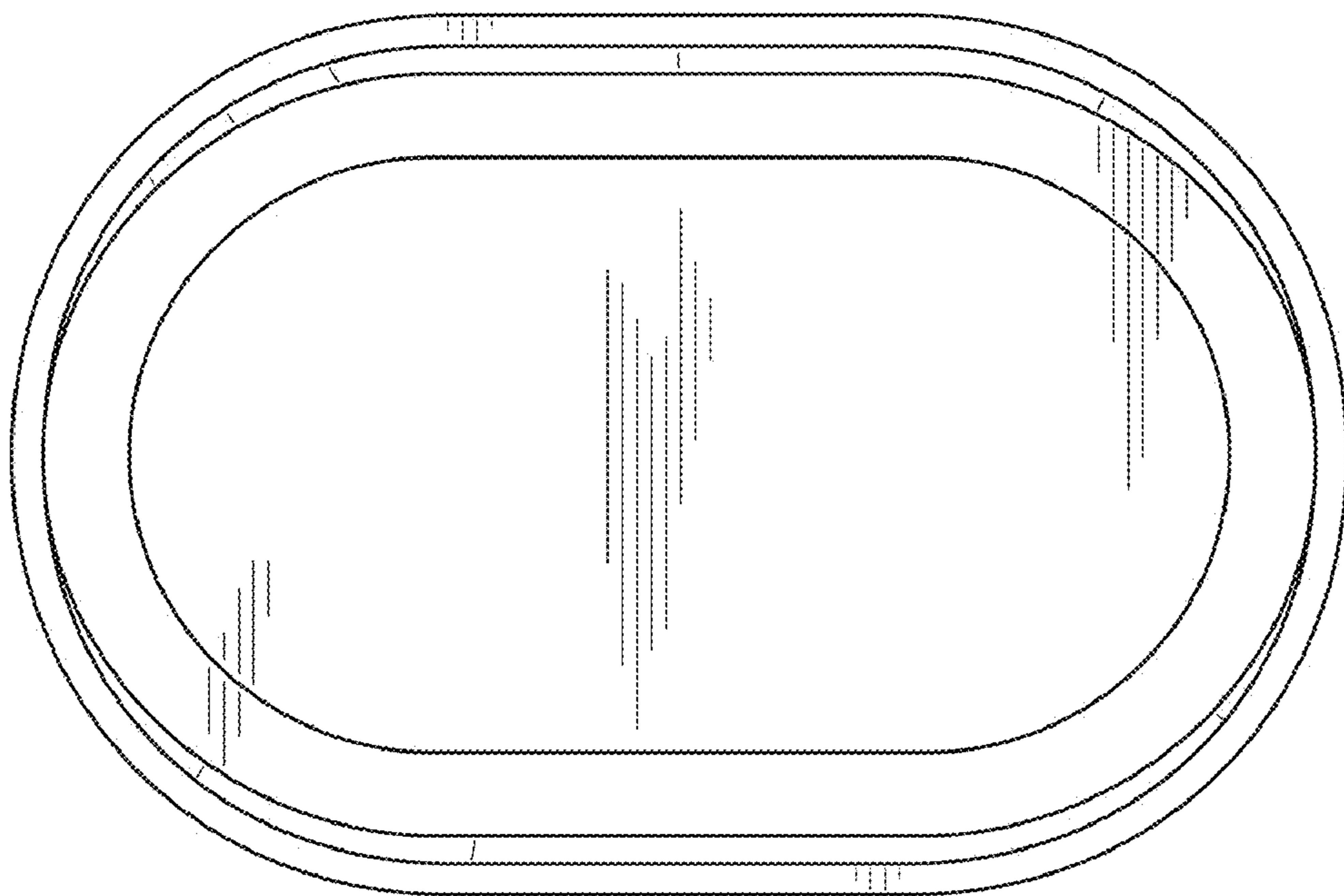


Fig.7.