



US00D654334S

(12) **United States Design Patent**
Gispert

(10) **Patent No.:** **US D654,334 S**

(45) **Date of Patent:** **** Feb. 21, 2012**

(54) **CONTAINER FOR FOOD PRODUCTS**

(75) Inventor: **Valentin Ortiz Gispert**, Madrid (ES)

(73) Assignee: **Stor, S.L.**, Madrid (ES)

(**) Term: **14 Years**

(21) Appl. No.: **29/358,883**

(22) Filed: **Apr. 1, 2010**

(30) **Foreign Application Priority Data**

Oct. 2, 2009 (EM) 1618794-0001

(51) **LOC (9) Cl.** **11-02**

(52) **U.S. Cl.** **D7/709**

(58) **Field of Classification Search** D7/601,
D7/629, 602, 606, 628, 709, 710; D9/643,
D9/644, 428, 429; D3/273, 274, 201, 203.1-203.8,
D3/263-269; 220/574-575, 4.21; 206/457,
206/216, 217, 541-549

See application file for complete search history.

(56) **References Cited**

U.S. PATENT DOCUMENTS

3,025,947 A *	3/1962	Hammer	206/545
D336,409 S *	6/1993	Kahl et al.	D7/709
D346,489 S *	5/1994	Bean et al.	D7/709
D376,074 S *	12/1996	Vossoughi et al.	D7/629
D593,812 S *	6/2009	Champkins	D7/629

* cited by examiner

Primary Examiner — Terry Wallace

(74) *Attorney, Agent, or Firm* — B. Aaron Schulman, Esq.;
Stites & Harbison, PLLC

(57) **CLAIM**

The ornamental design for a container for food products, as shown and described.

DESCRIPTION

FIG. 1 is top view showing the new design of a container for food products according to the present invention.

FIG. 2 is a front view thereof.

FIG. 3 is a right side view thereof.

FIG. 4 is a left side view thereof.

FIG. 5 is a bottom view thereof.

FIG. 6 is a rear view thereof.

FIG. 7 is a front, top and left side perspective view thereof.

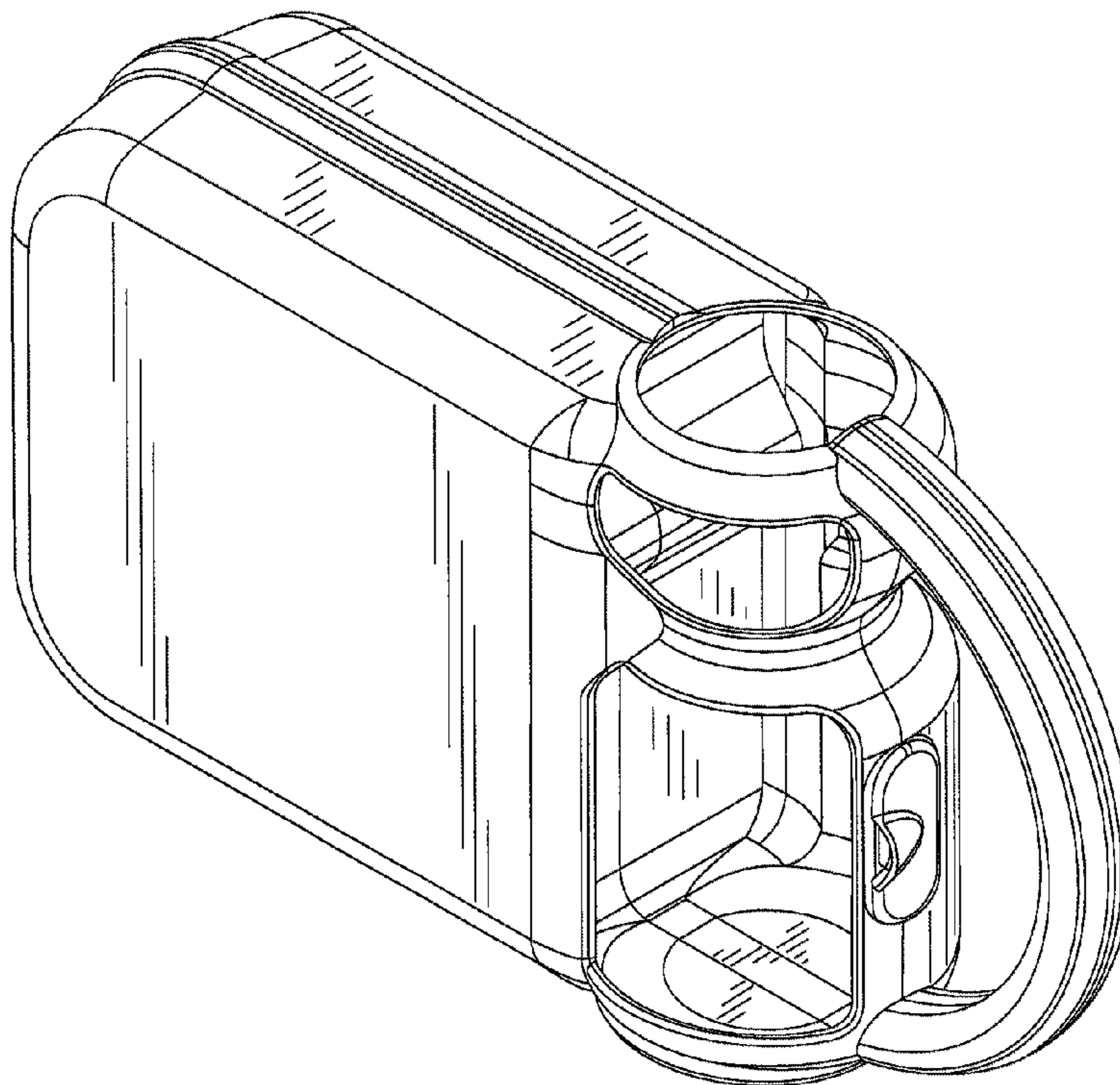
FIG. 8 is a front, bottom and right side perspective view thereof.

FIG. 9 is a front, top and right side perspective view thereof; and,

FIG. 10 is an elevation view thereof in an opened position.

The elevation view of FIG. 10 shows how the container is openable to receive a food product such as a sandwich in the rectangular interior portion thereof, and how a cylindrical beverage product or other food product is receivable in the partially open section and/or through the open top thereof located between the rectangular portion and the handle.

1 Claim, 7 Drawing Sheets



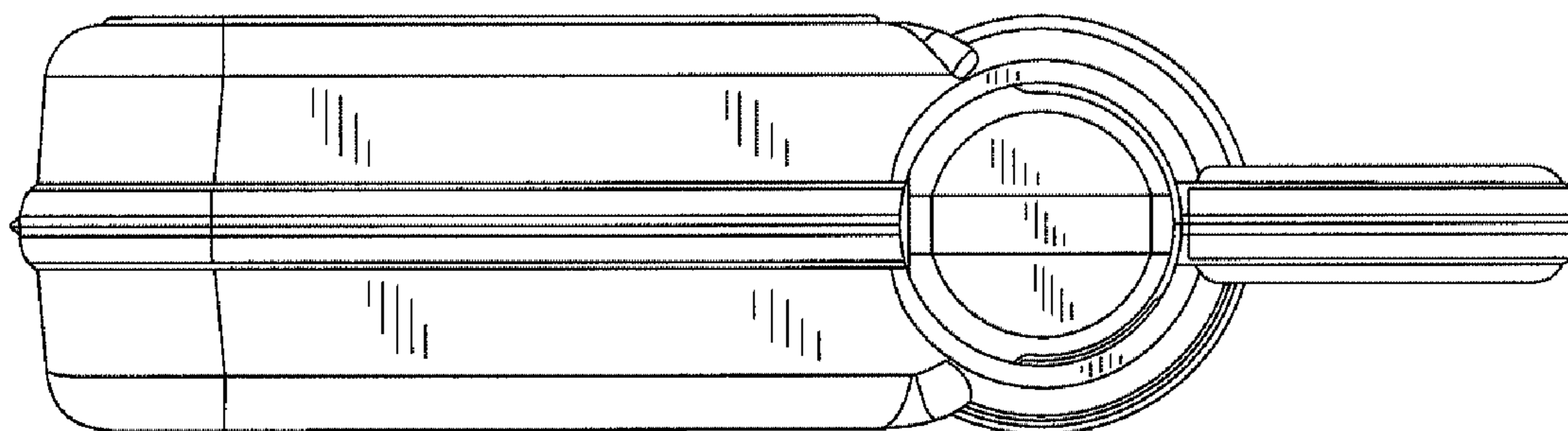


FIG. 1

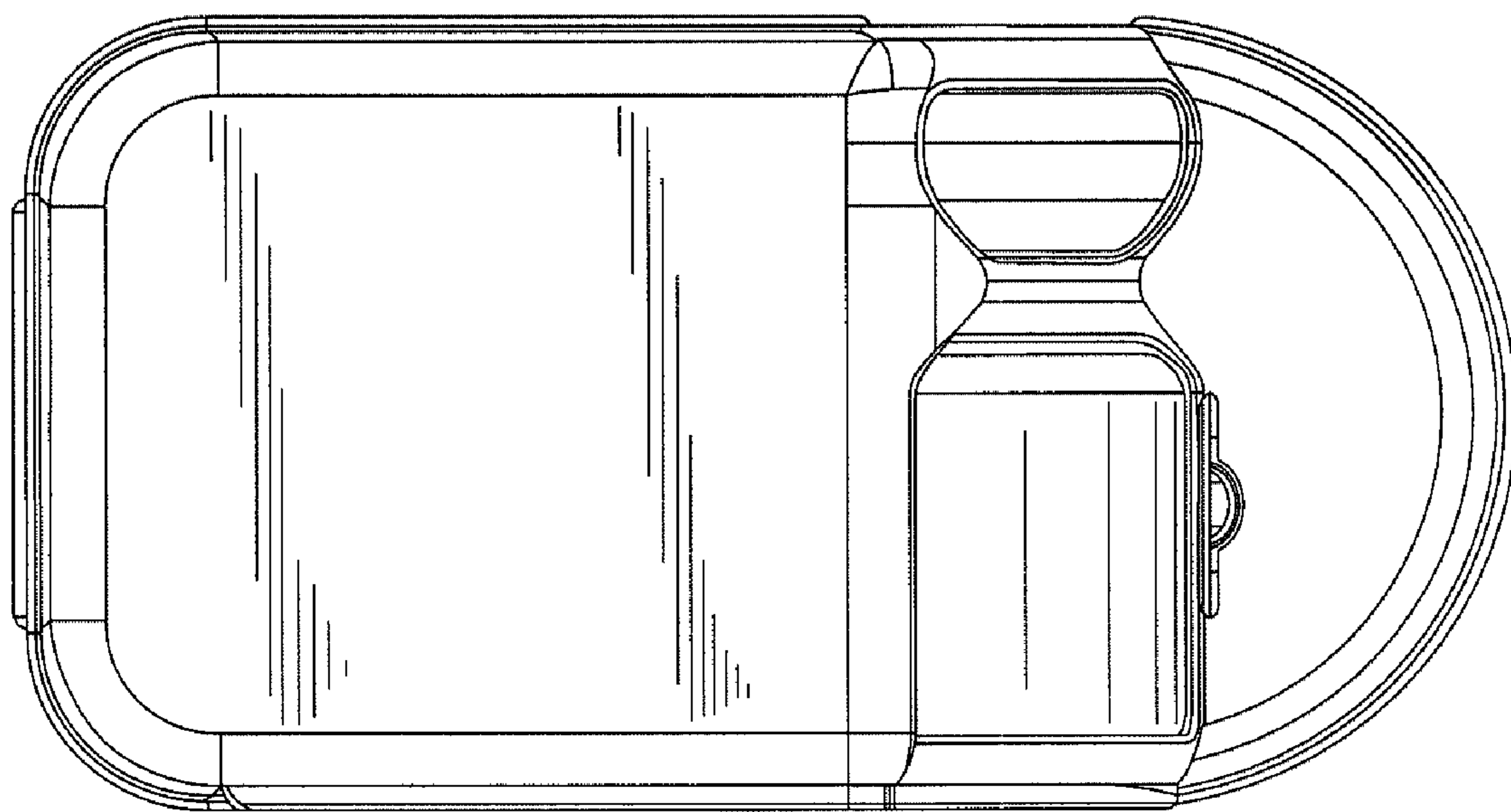


FIG. 2

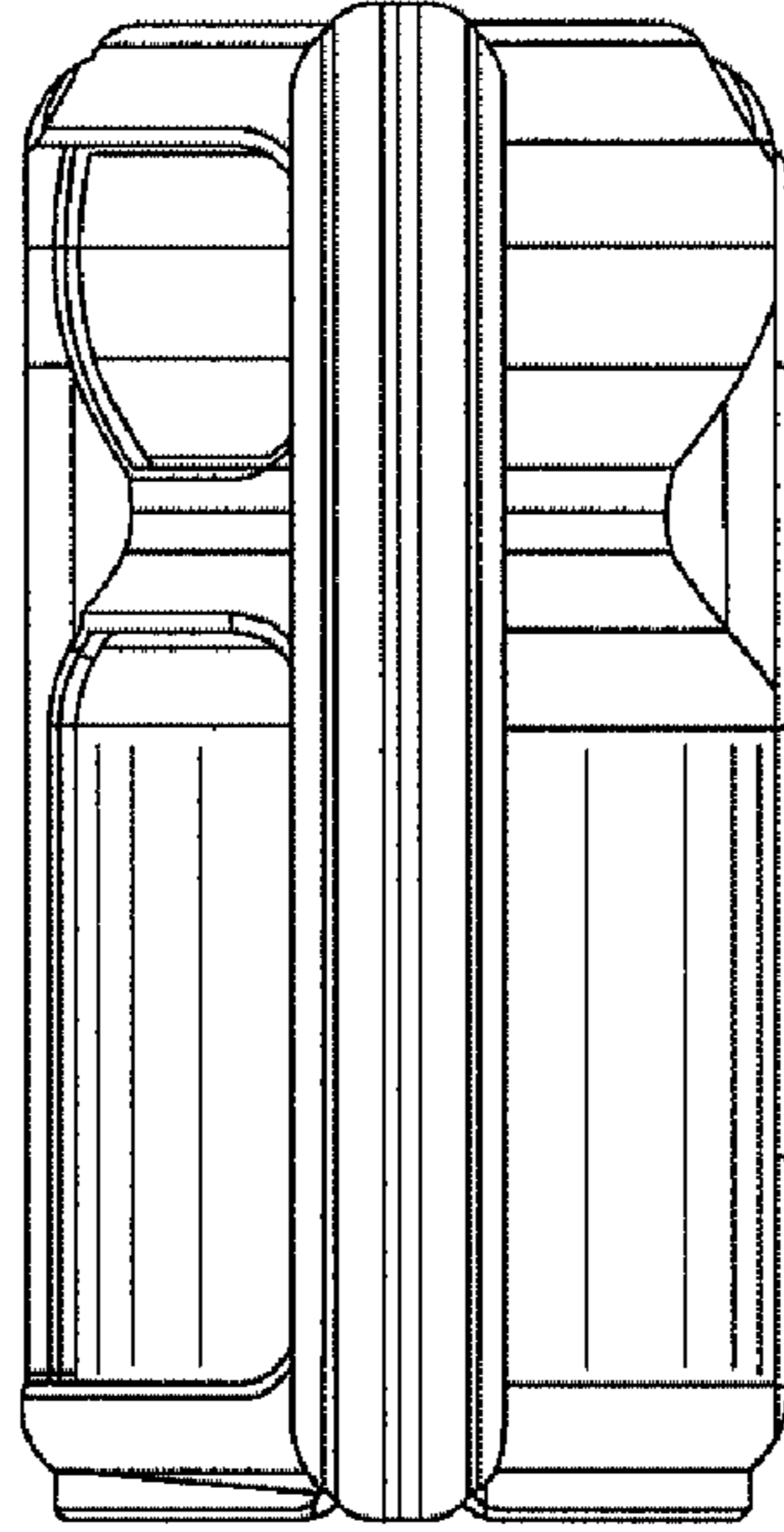


FIG. 3

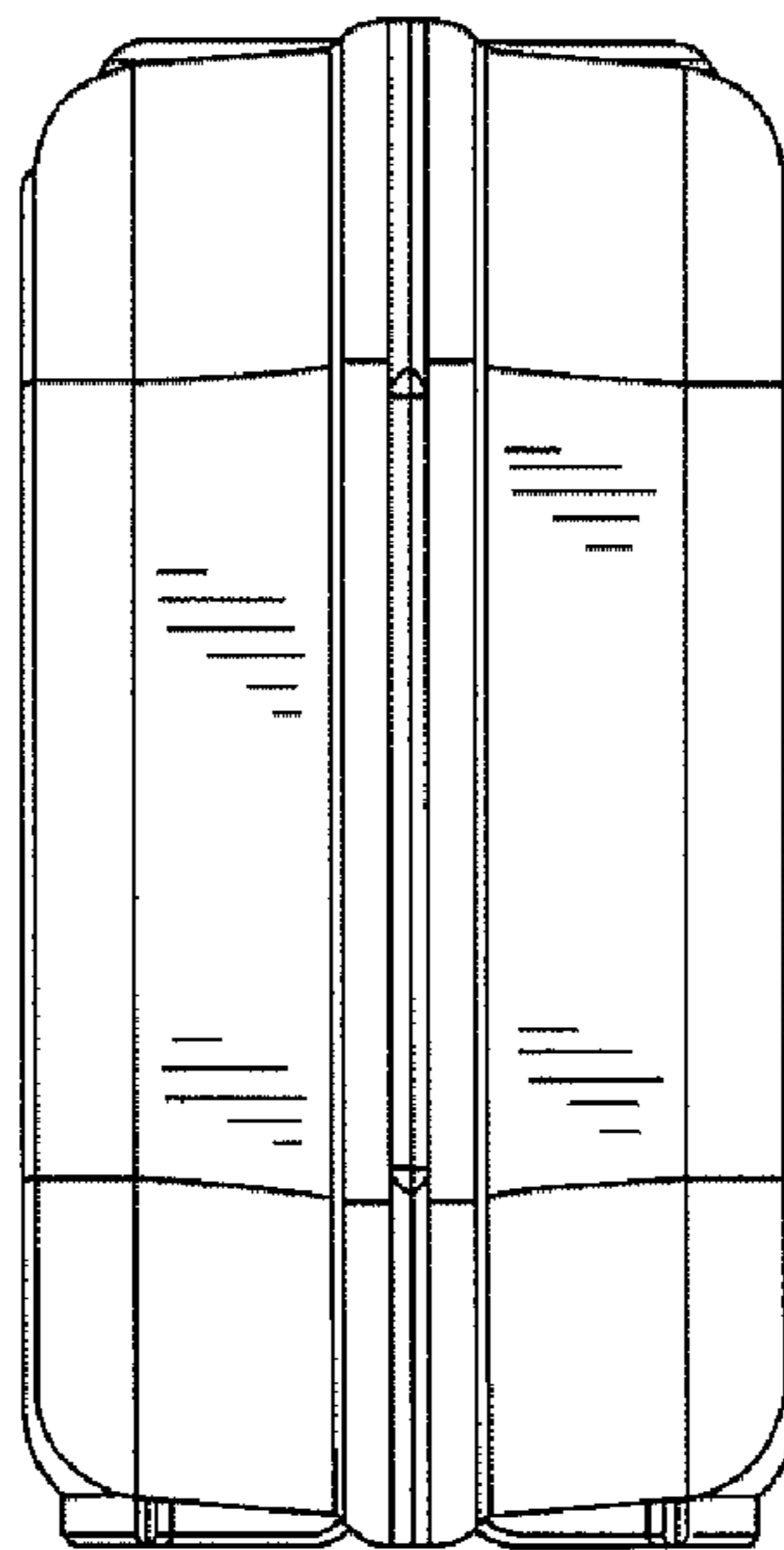


FIG. 4

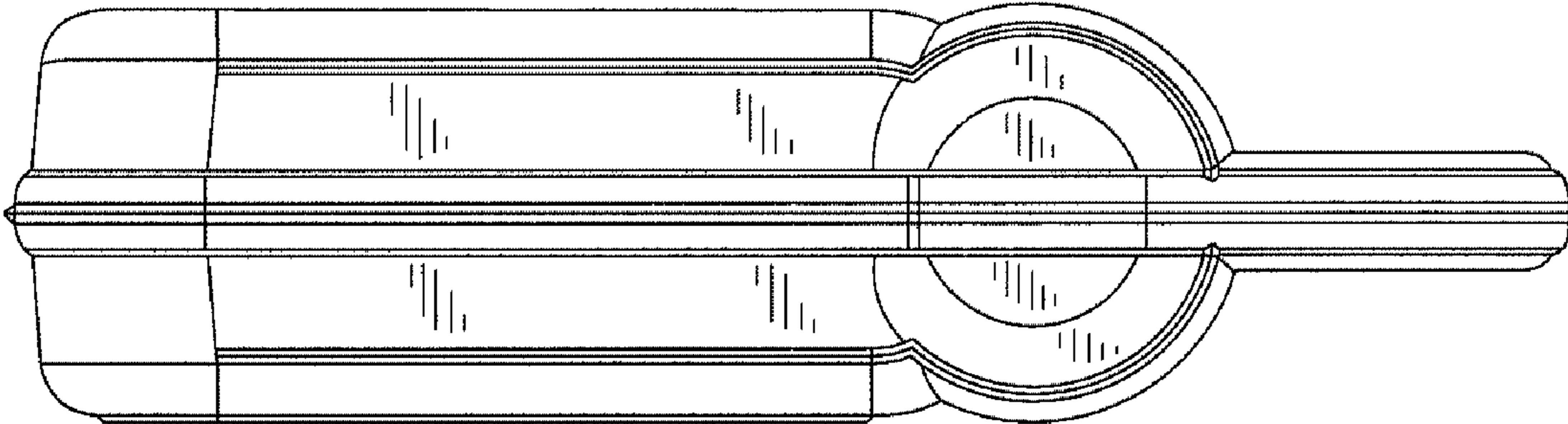


FIG. 5

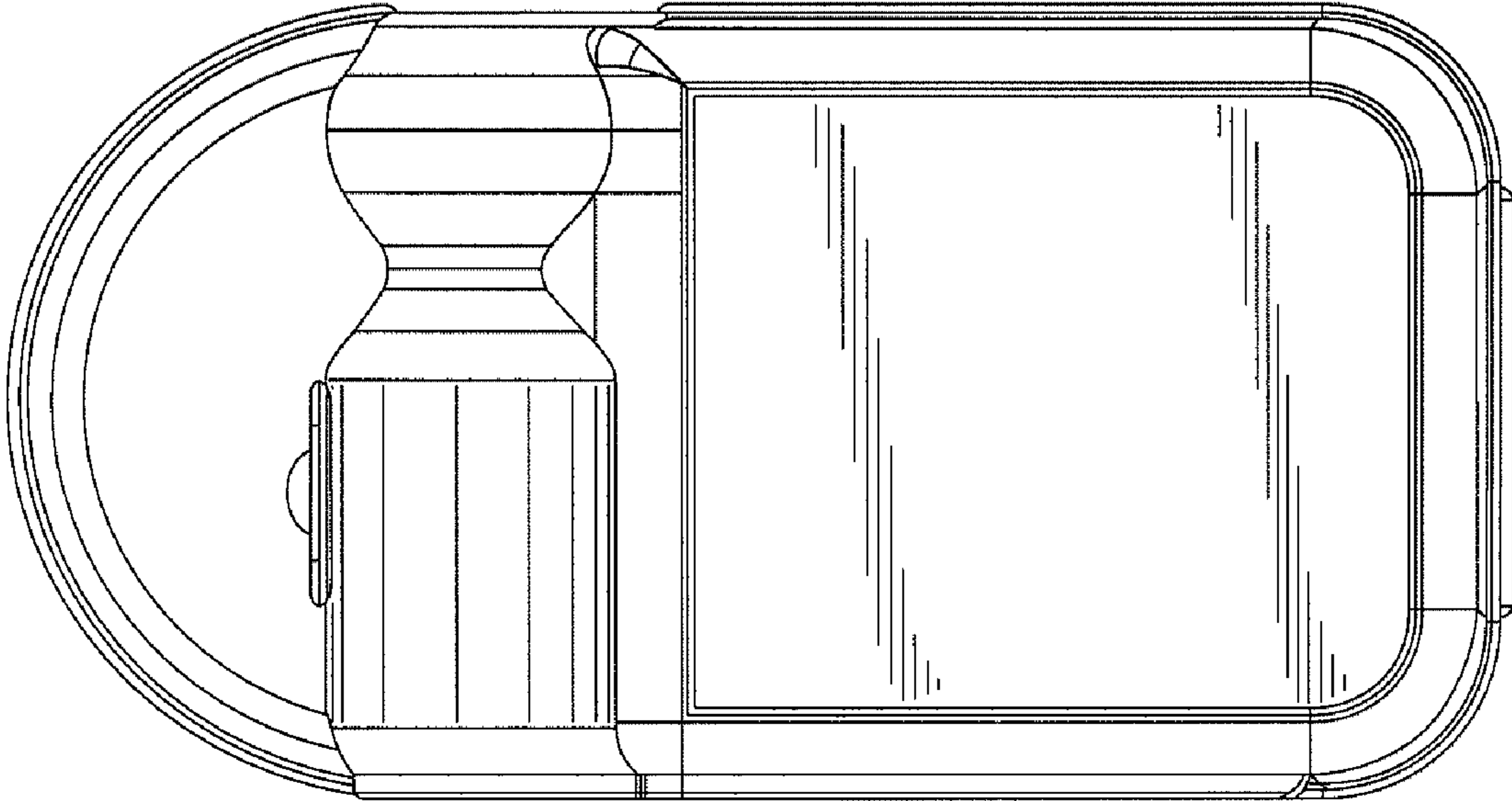


FIG. 6

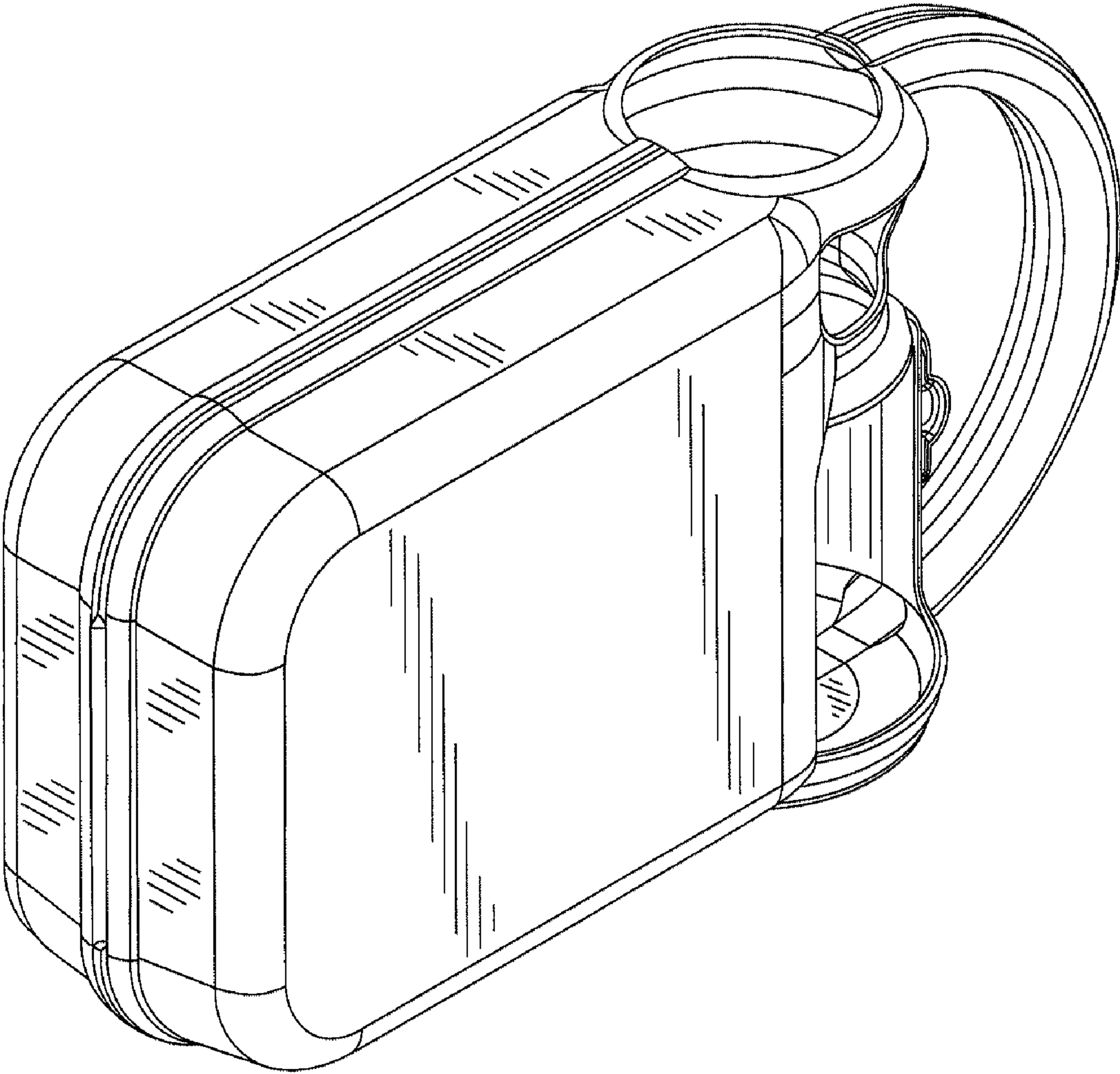


FIG. 7

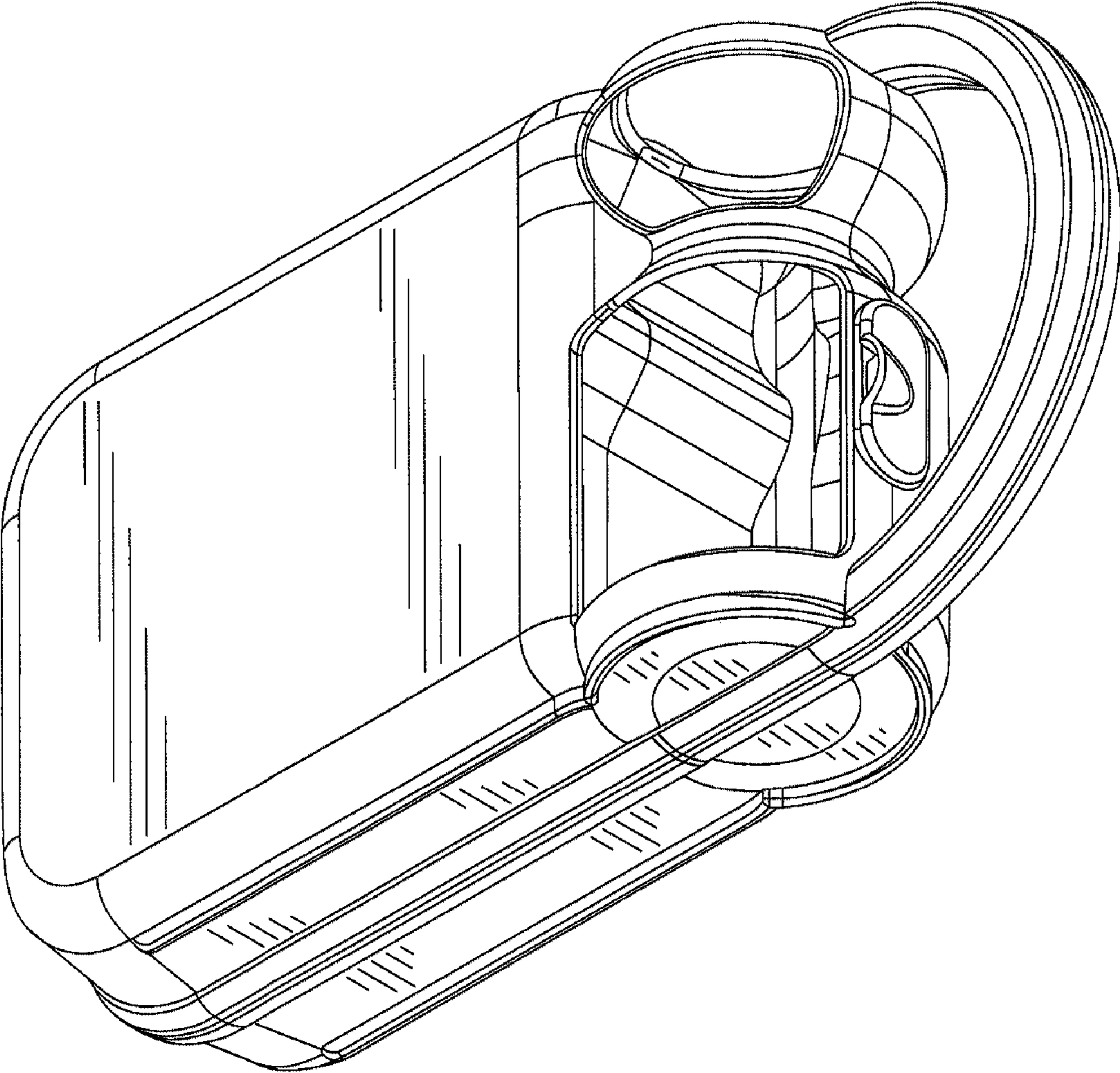


FIG. 8

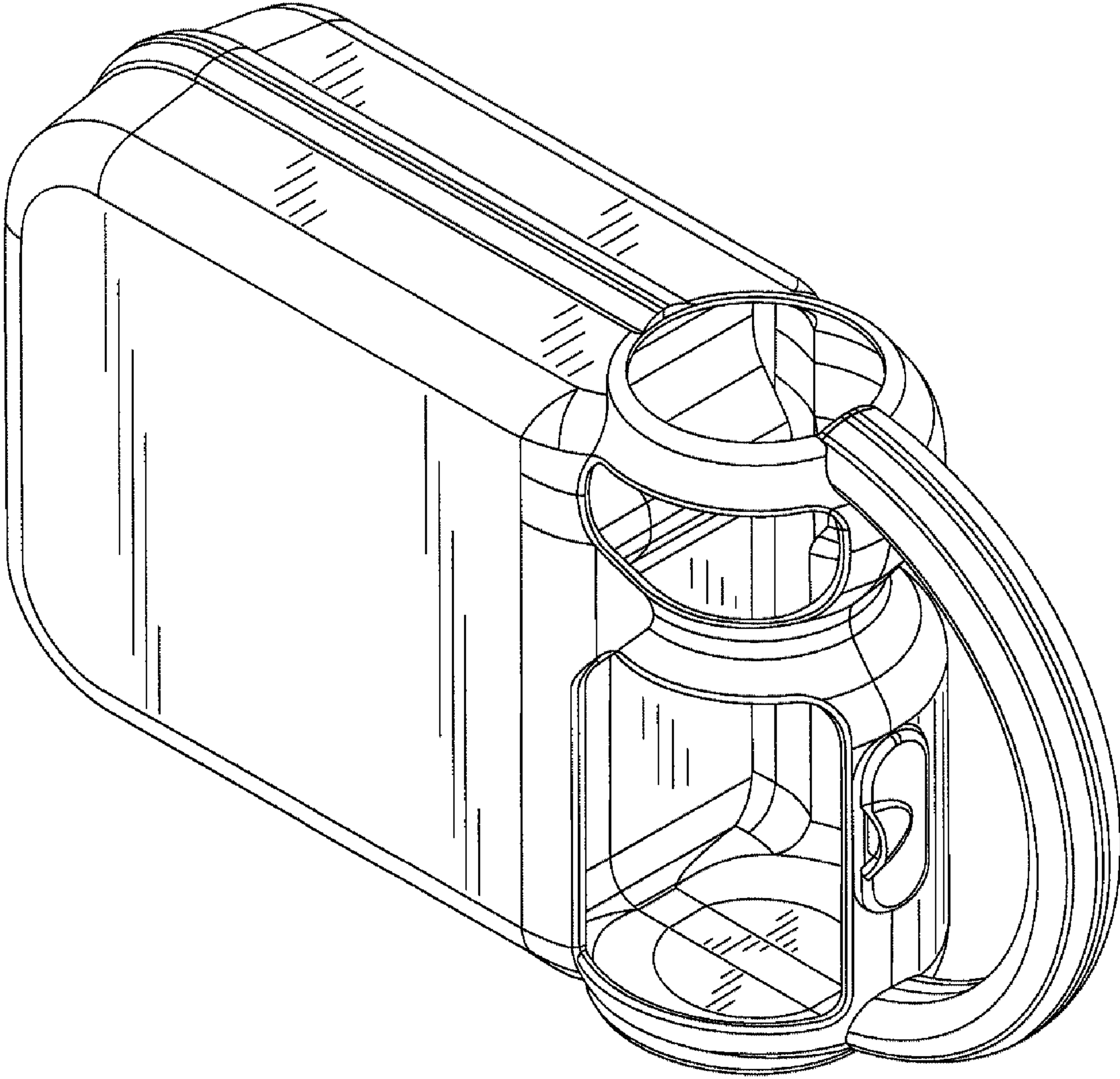


FIG. 9

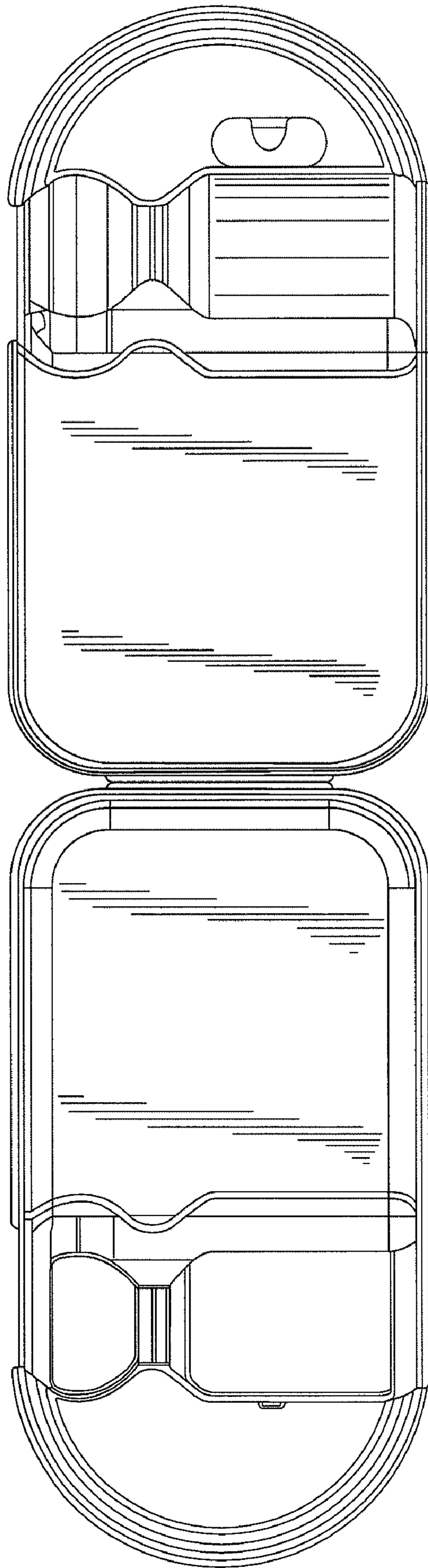


FIG. 10