



US00D654333S

(12) **United States Design Patent**
Aguirre

(10) **Patent No.:** **US D654,333 S**

(45) **Date of Patent:** **** Feb. 21, 2012**

(54) **TRIPE CUTTING BOARD**

(76) Inventor: **Daniel Aguirre**, Orange, CA (US)

(**) Term: **14 Years**

(21) Appl. No.: **29/373,235**

(22) Filed: **Mar. 22, 2011**

(51) **LOC (9) Cl.** **07-04**

(52) **U.S. Cl.** **D7/698; D7/699**

(58) **Field of Classification Search** D7/354,
D7/359-360, 368, 392.1, 396.1, 409, 412,
D7/505, 546, 550.1, 552.1-552.2, 553.1,
D7/553.5, 553.8, 554.3-554.4, 555, 586,
D7/637, 673, 698-699; D15/127; 33/566;
83/459, 762; 99/324, 357, 449-450; 250/455.11;
269/13, 15-16, 289 R, 302.1, 575
See application file for complete search history.

(56) **References Cited**

U.S. PATENT DOCUMENTS

4,094,221	A *	6/1978	Jacoby	83/762
4,877,963	A *	10/1989	Min-Jenn	250/455.11
D348,591	S *	7/1994	Willis	D7/698
D376,606	S *	12/1996	Thompson	D15/127
D382,776	S *	8/1997	McLeod	D7/698
D383,042	S *	9/1997	Lach	D7/698
D458,812	S *	6/2002	Wong	D7/698
6,663,096	B2 *	12/2003	Heath et al.	269/289 R
6,722,241	B1 *	4/2004	Anayas	83/459
D543,802	S *	6/2007	Fuchs	D7/698
D611,315	S *	3/2010	Keller	D7/698
D623,029	S *	9/2010	Russell et al.	D7/698
2008/0301965	A1 *	12/2008	Taylor	33/566

* cited by examiner

Primary Examiner — Ricky Pham

(74) *Attorney, Agent, or Firm* — David G. Duckworth;
Russo & Duckworth, LLP

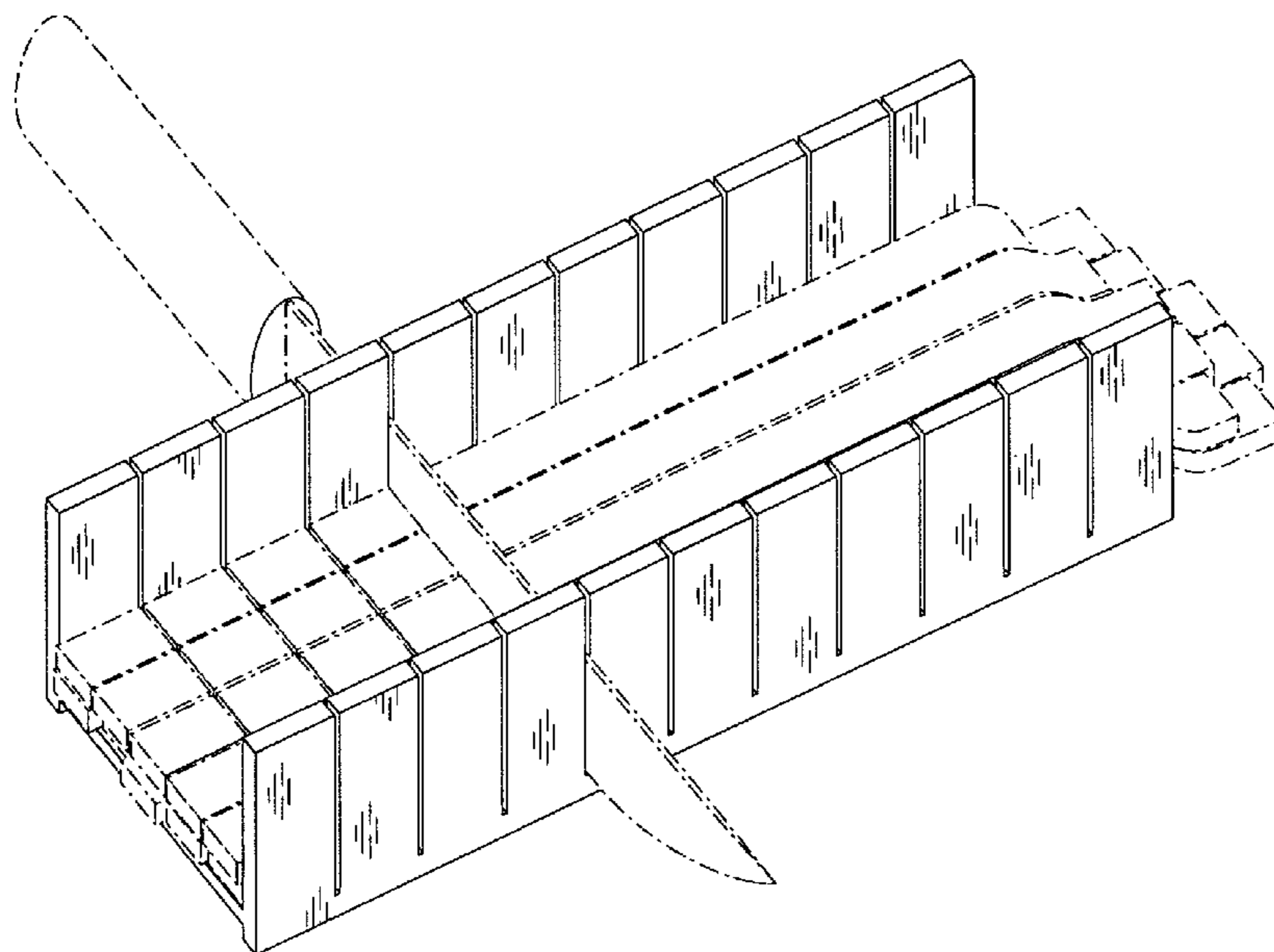
(57) **CLAIM**

The ornamental design for the tripe cutting board, as shown and described.

DESCRIPTION

FIG. 1 is a perspective view of the tripe cutting board of my design;
 FIG. 2 is a front elevation view thereof;
 FIG. 3 is a rear elevation view thereof;
 FIG. 4 is a left side elevation view thereof;
 FIG. 5 is a right side elevation view thereof;
 FIG. 6 is a top plane view thereof;
 FIG. 7 is a bottom plane view thereof;
 FIG. 8 is a perspective view of the tripe cutting board of my design illustrated in use for cutting a roll of tripe meat;
 FIG. 9 is an additional perspective view illustrating the tripe cutting board of my design in use wherein a roll of tripe has been cut into rolled slices;
 FIG. 10 is an additional perspective view of the tripe cutting board of my design in use cutting slices of tripe into square pieces of tripe; and,
 FIG. 11 is still an additional perspective view of the tripe cutting board of my design wherein the square pieces of tripe illustrated in FIG. 10 have been removed from the tripe cutting board's central trough.
 The tripe meat, knife and hand shown in dashed lines in FIGS. 8-11 are for illustrative purposes only and form no part of my claimed design.

1 Claim, 6 Drawing Sheets



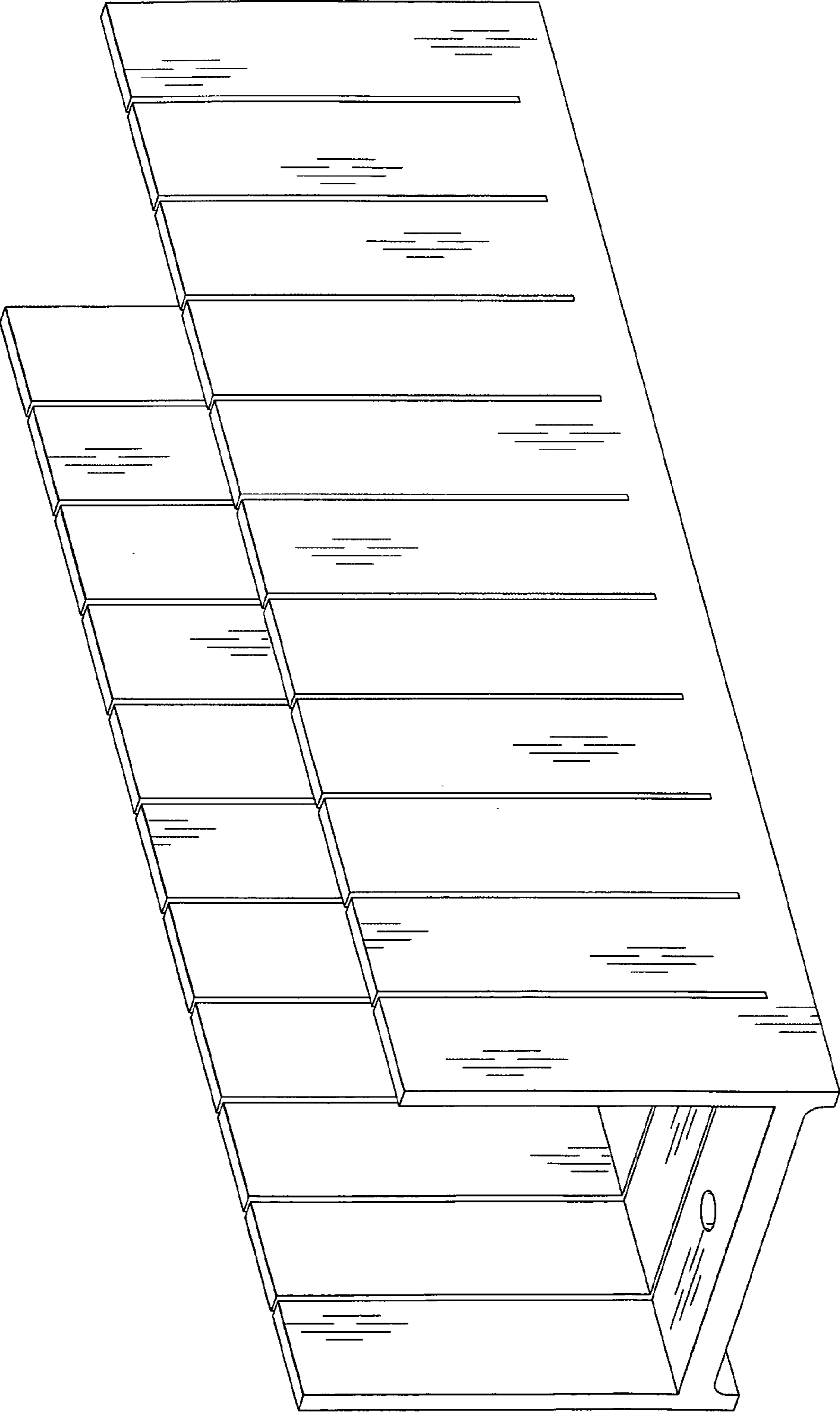


Fig. 1

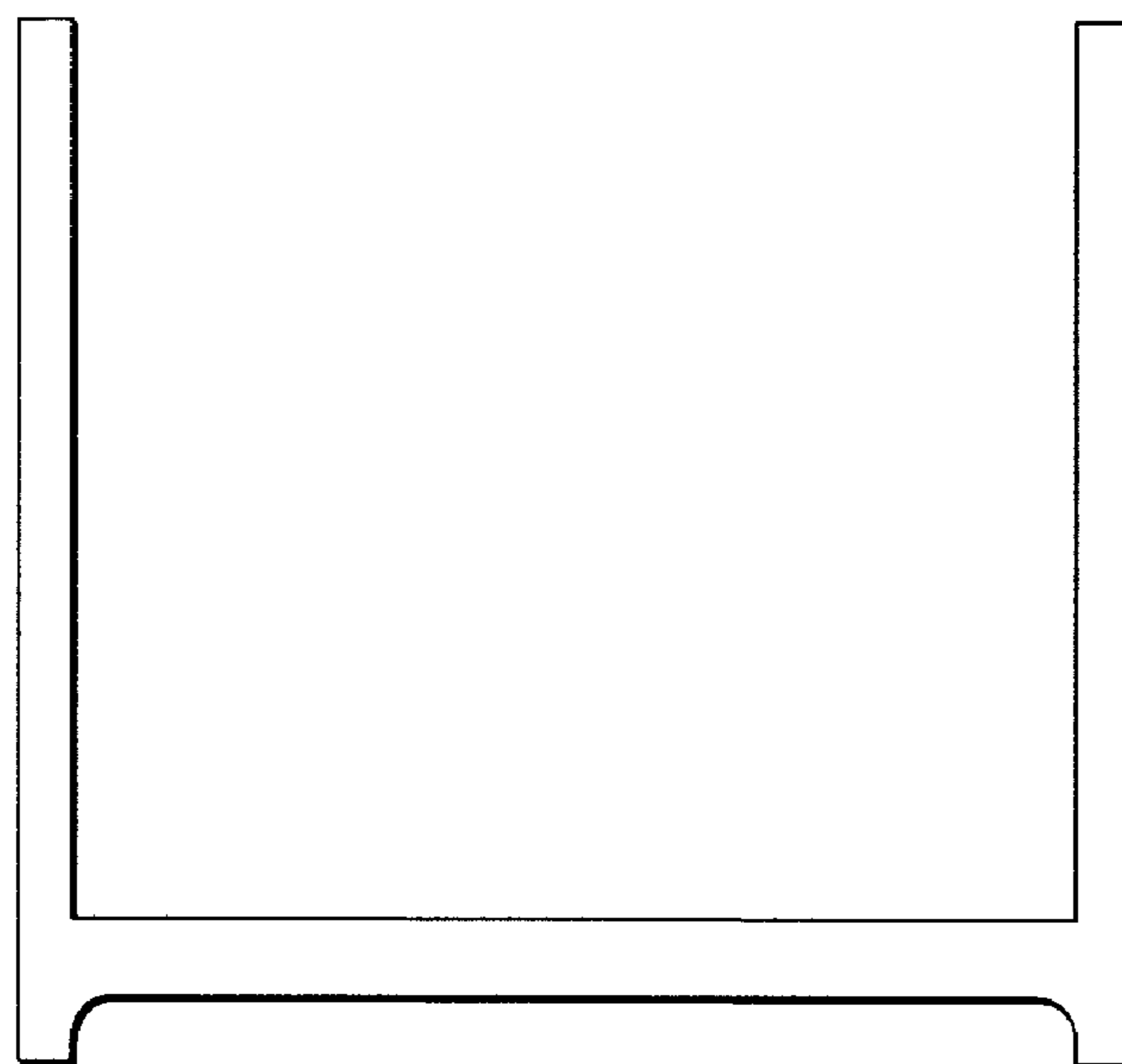


Fig. 2

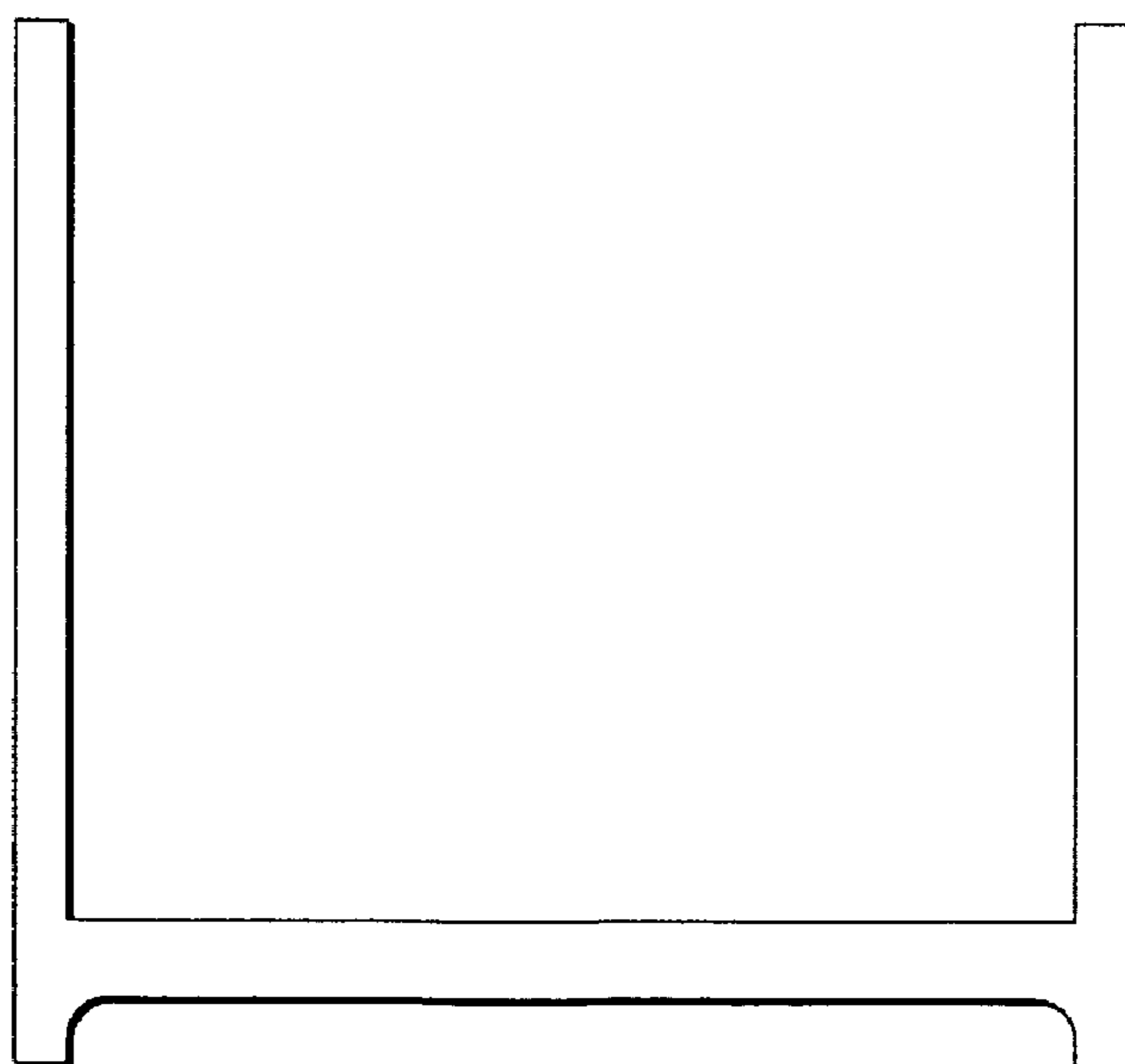


Fig. 3

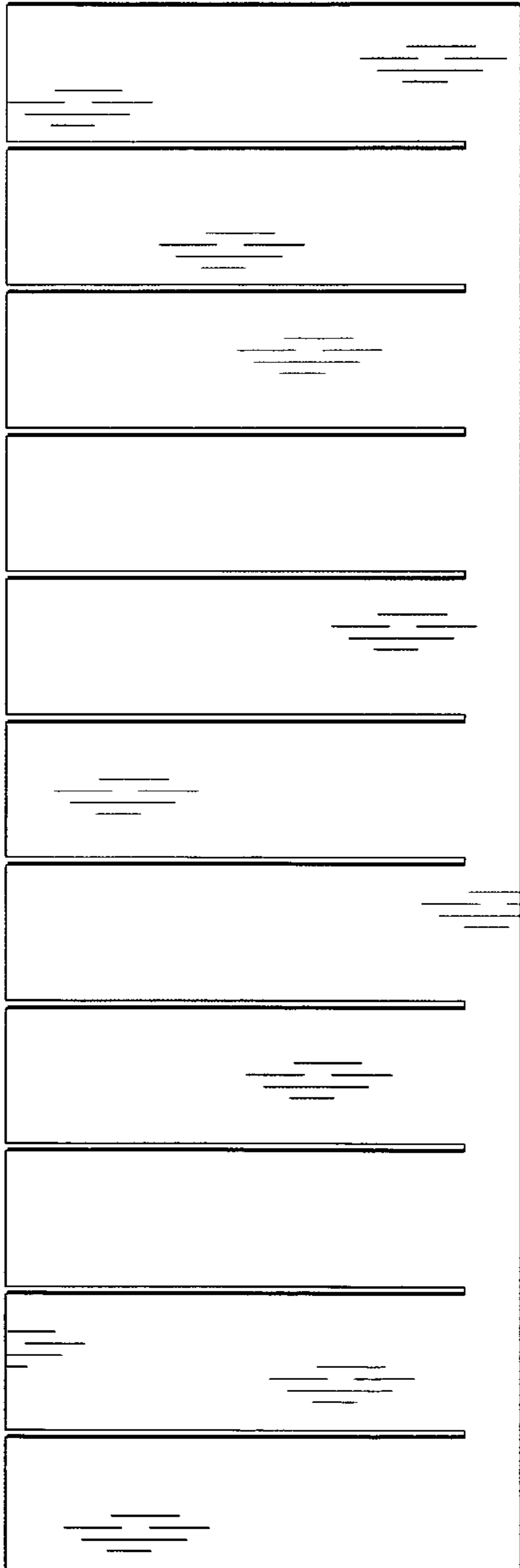


Fig. 4

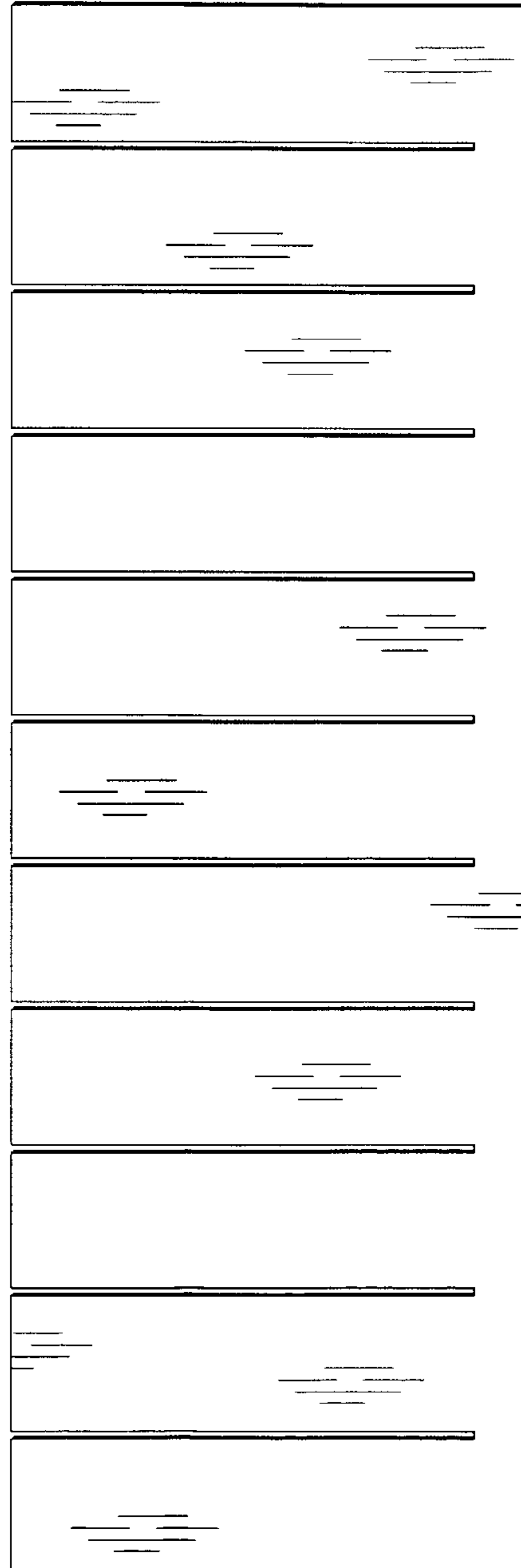


Fig. 5

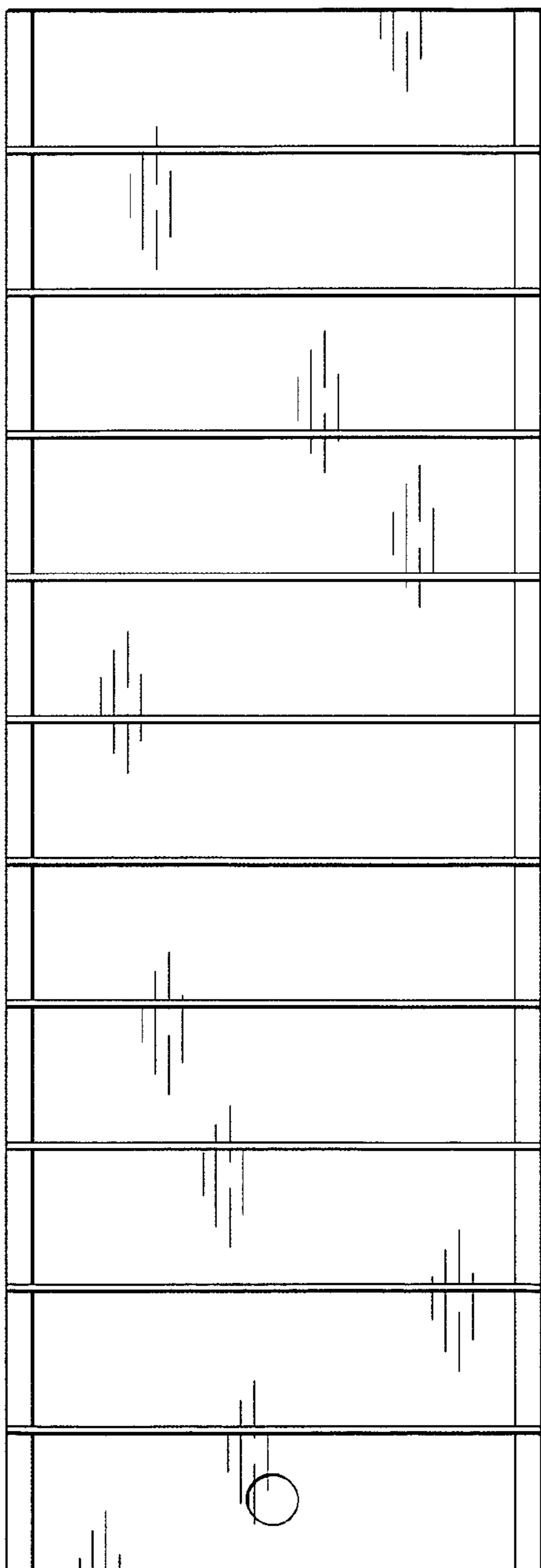


Fig. 6

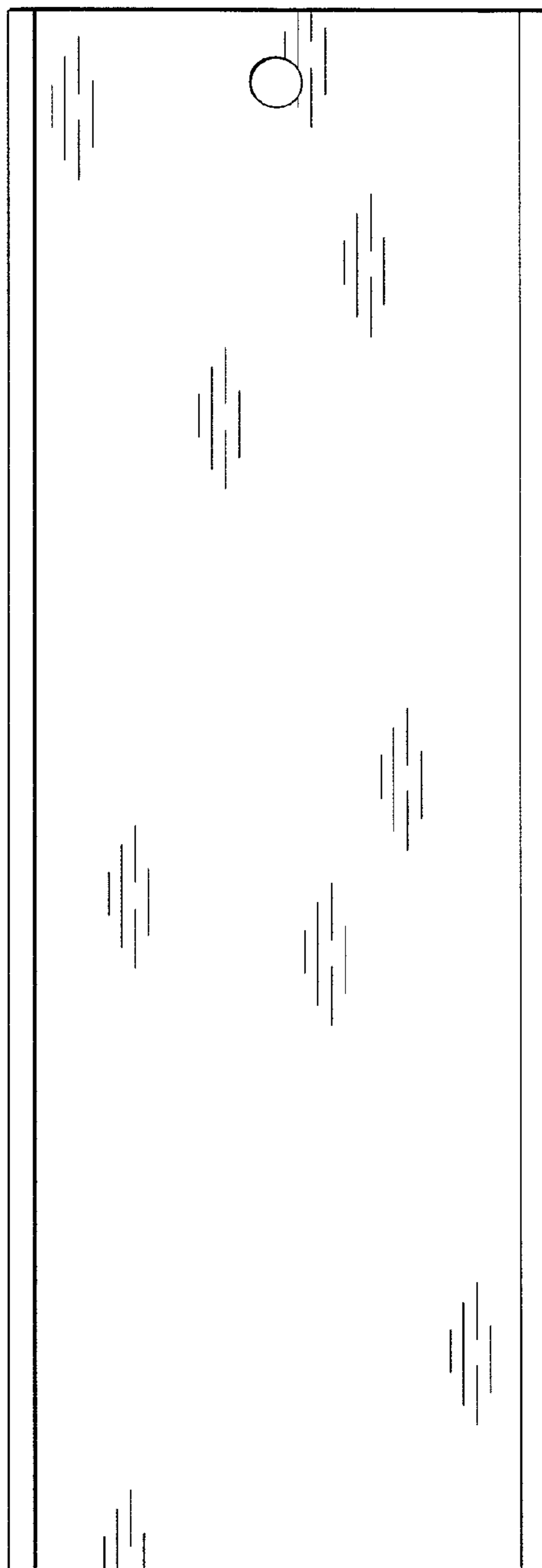


Fig. 7

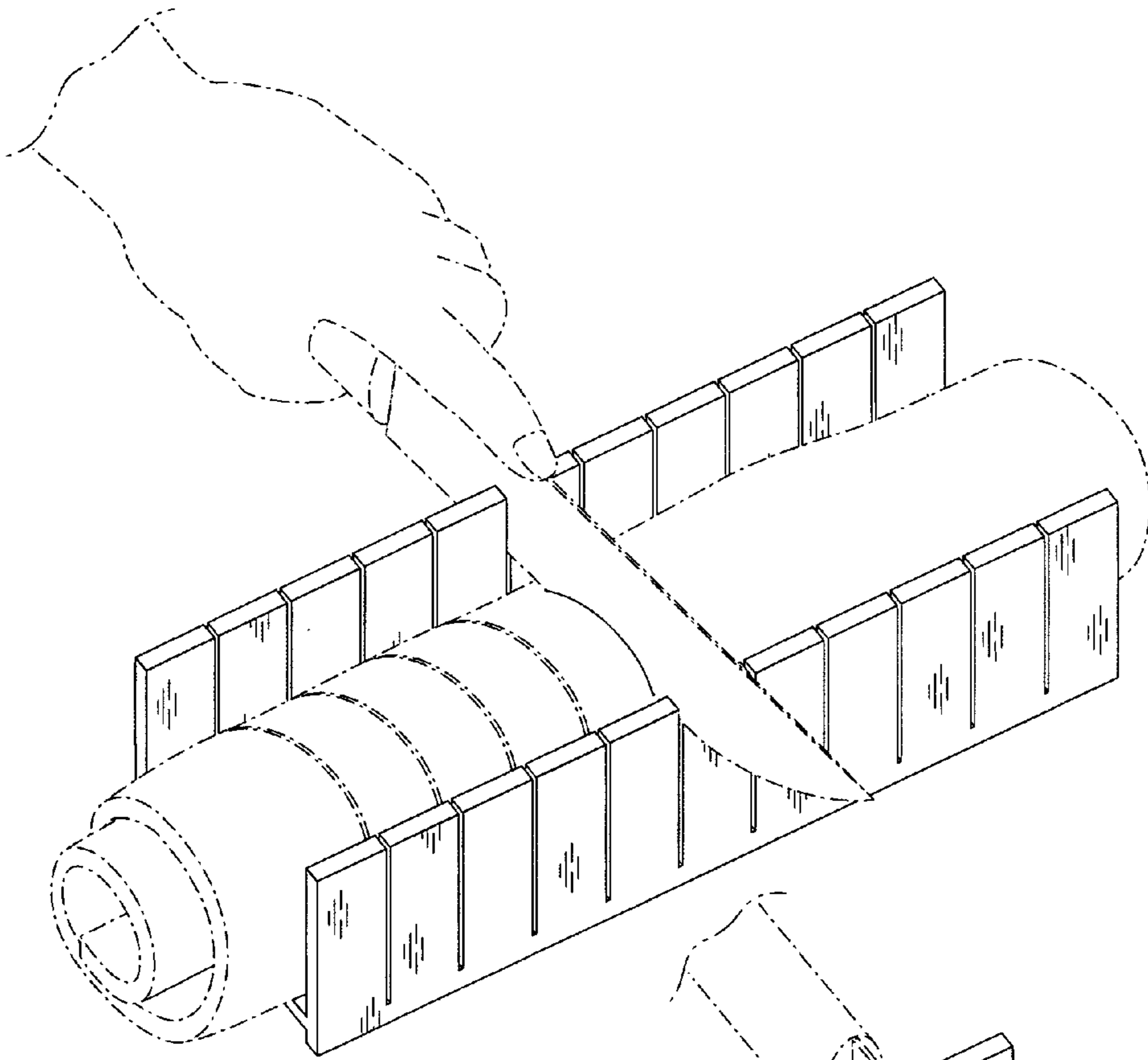


Fig. 8

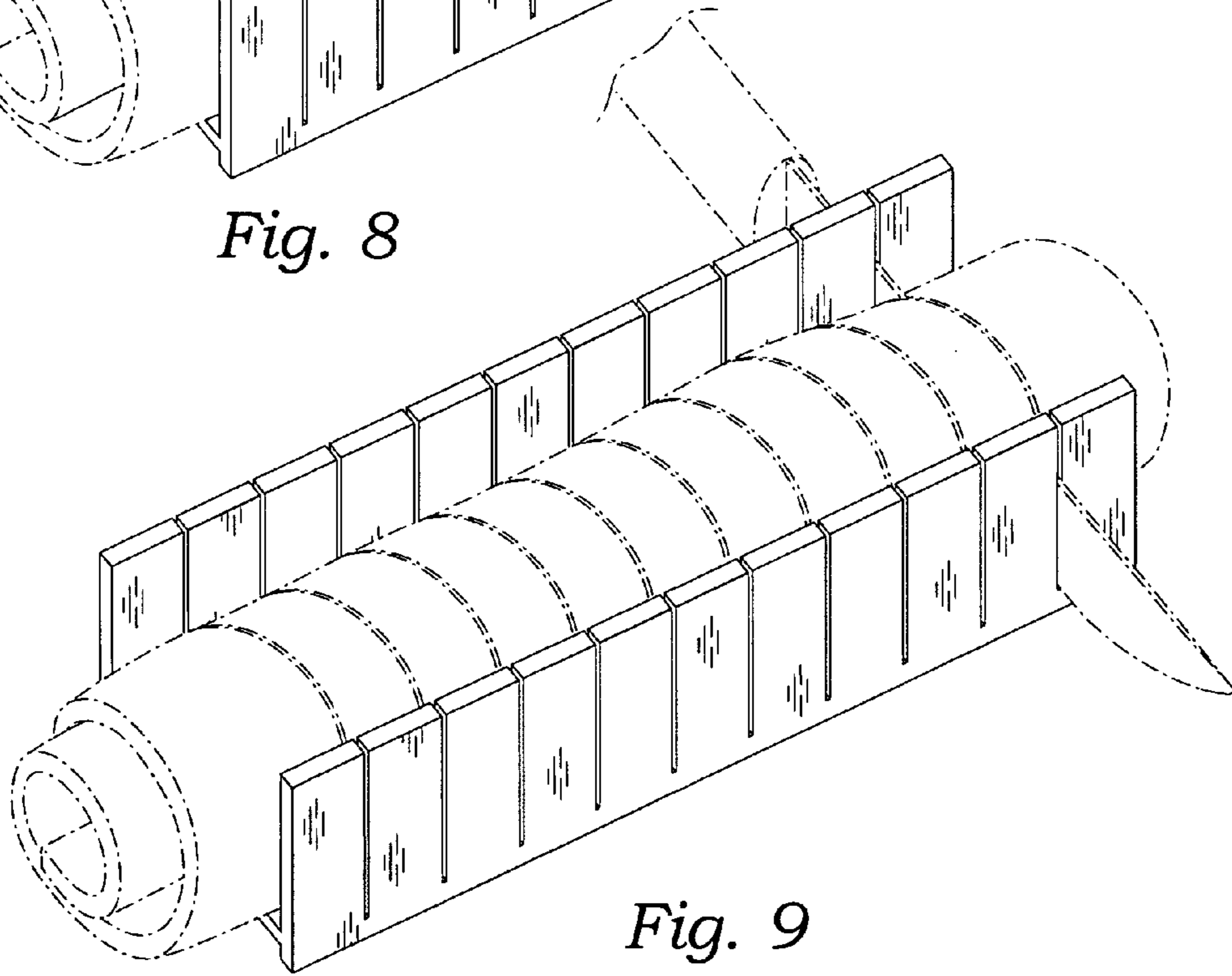


Fig. 9

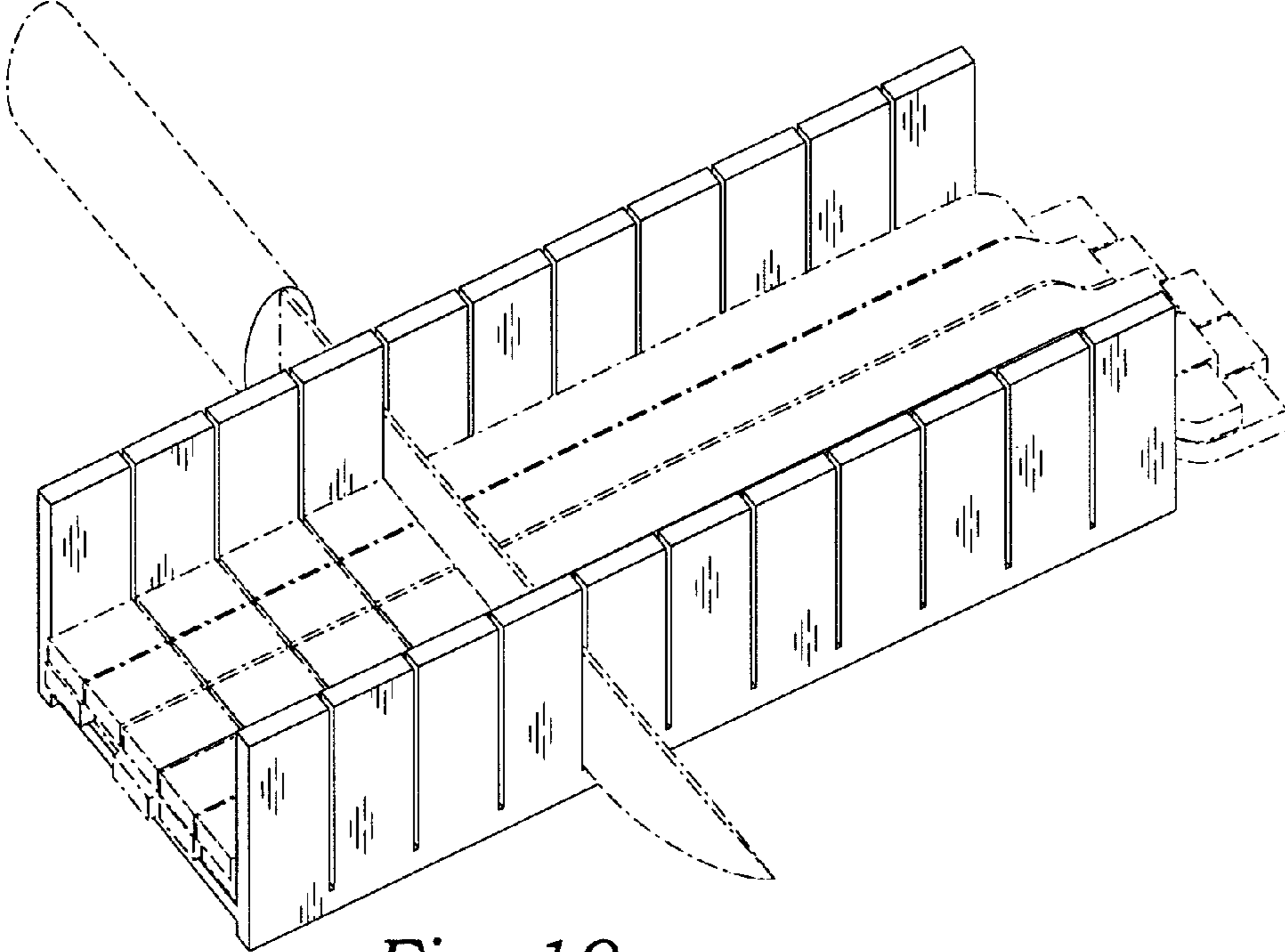


Fig. 10

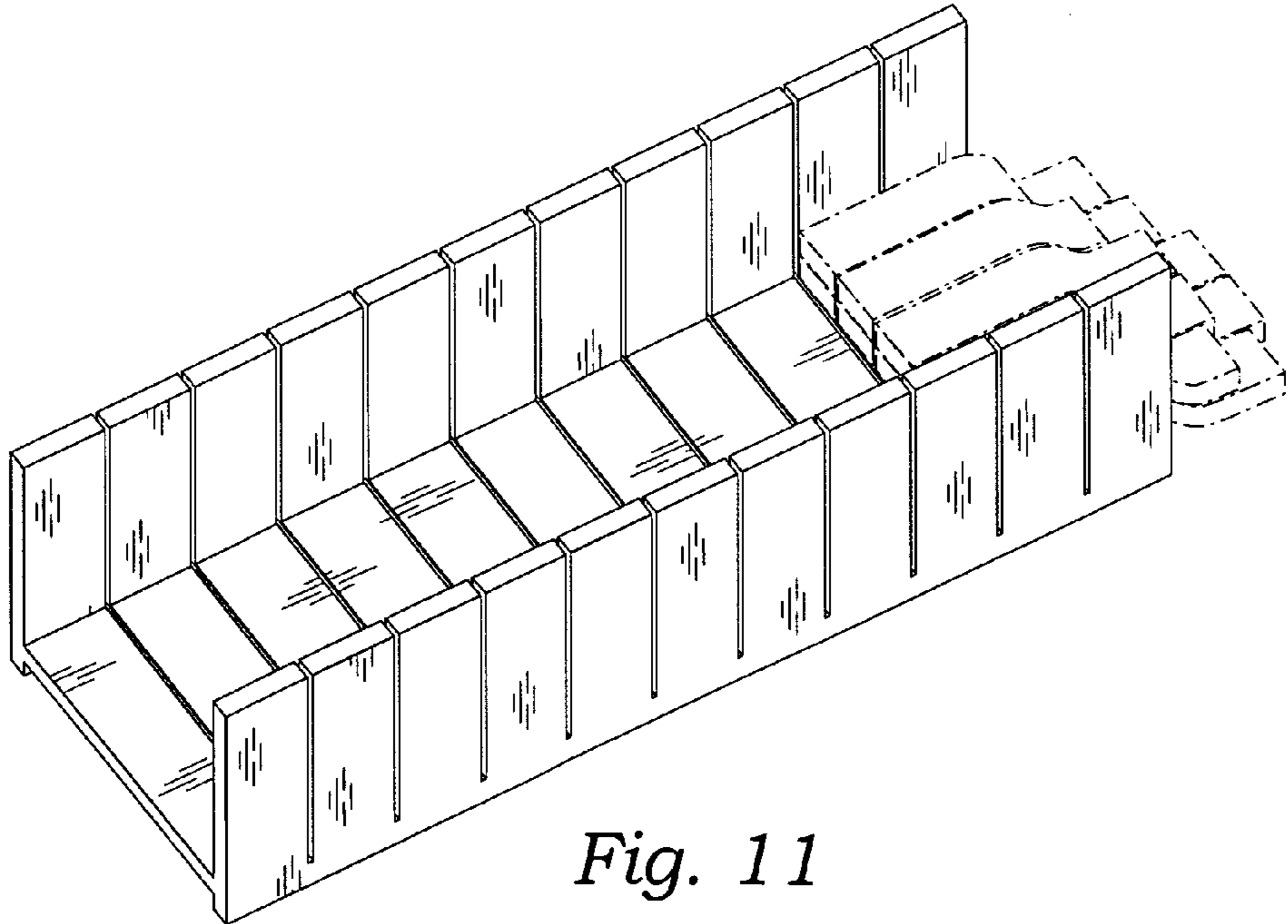


Fig. 11