



US00D654328S

(12) **United States Design Patent**
Mills

(10) **Patent No.:** **US D654,328 S**

(45) **Date of Patent:** **** Feb. 21, 2012**

(54) **CHRISTMAS TREE MOLD**

(75) **Inventor:** **David William Mills**, Bronte (AU)

(73) **Assignee:** **The Chefs Toolbox Pty. Limited**,
Alexandria, Sydney, New South Wales
(AU)

(**) **Term:** **14 Years**

(21) **Appl. No.:** **29/373,599**

(22) **Filed:** **May 2, 2011**

(51) **LOC (9) Cl.** **07-04**

(52) **U.S. Cl.** **D7/675**

(58) **Field of Classification Search** D7/675,
D7/604, 606, 628, 625, 354; D1/106, 115;
D9/659, 600; 30/301, 303, 305, 299, 114,
30/124, 312, 314, 315, 316, 130; 249/115,
249/117, 135, DIG. 1; 99/428, 430, 439,
99/DIG. 15

See application file for complete search history.

(56) **References Cited**

U.S. PATENT DOCUMENTS

D156,549 S *	12/1949	McBirney	D7/675
3,128,724 A *	4/1964	Linder	249/102
3,780,978 A *	12/1973	Proul	249/135
D247,876 S *	5/1978	Garson et al.	D9/659
D249,112 S *	8/1978	Garson et al.	D7/354
4,245,973 A *	1/1981	Greaney	425/276
D329,003 S	9/1992	Jones		

D333,761 S	3/1993	Dicochea		
D352,811 S *	11/1994	Gonzalez	D1/106
D481,914 S *	11/2003	Short	D7/675
7,011,015 B1	3/2006	Marghella		
D524,122 S *	7/2006	Johnson et al.	D7/675
D526,836 S	8/2006	Morgan		
D527,162 S *	8/2006	Feilen	D1/115
7,150,221 B2	12/2006	Morgan		
D540,616 S *	4/2007	Nichols et al.	D7/354
D546,120 S *	7/2007	Nichols et al.	D7/391
D581,224 S *	11/2008	Vendl	D7/675
D628,862 S *	12/2010	Zeilinger	D7/675
2007/0284382 A1	12/2007	Morgan		

* cited by examiner

Primary Examiner — Terry Wallace

(74) *Attorney, Agent, or Firm* — Aziz M. Ahsan; Ahsan & Associates, PLLC

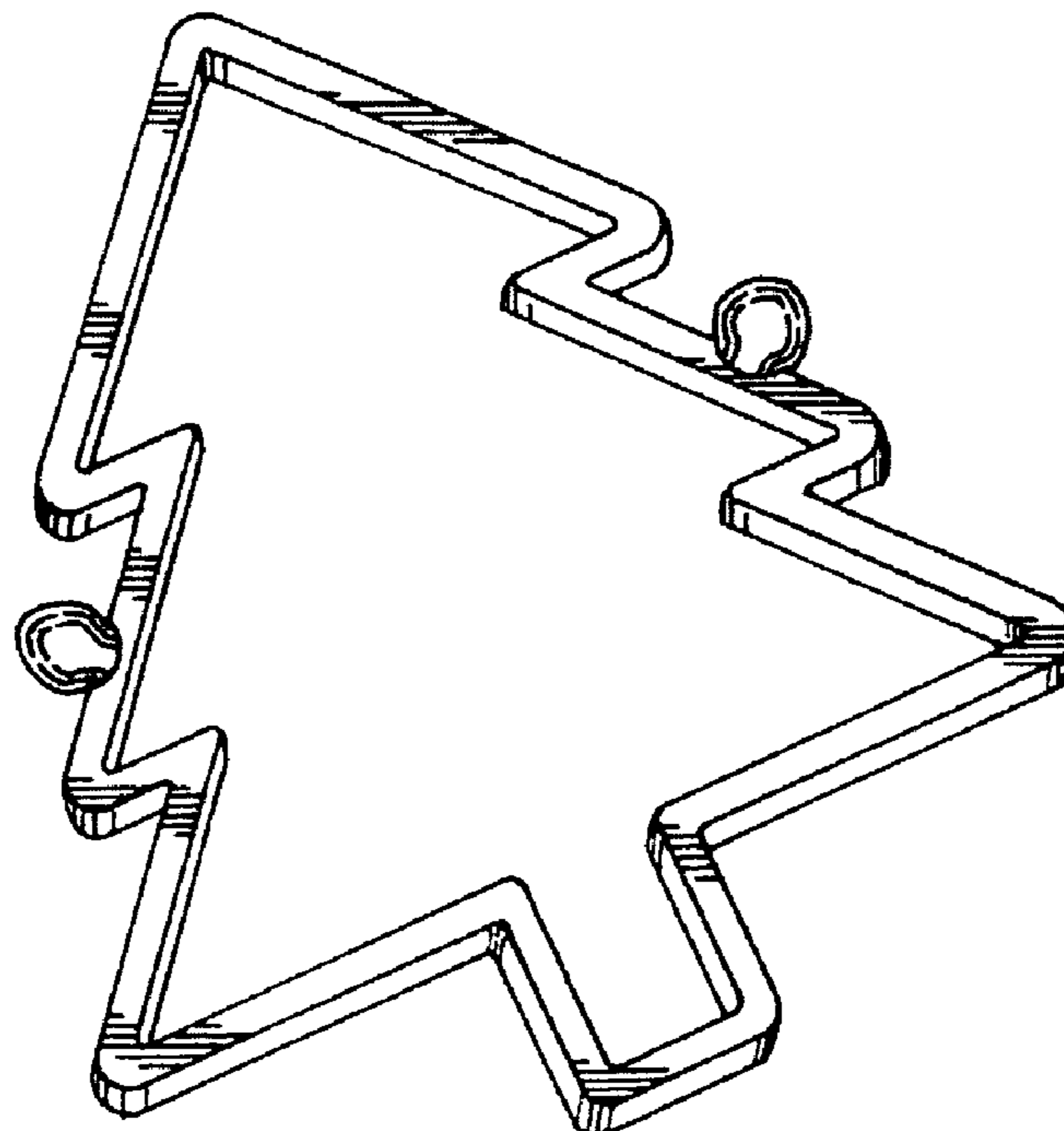
(57) **CLAIM**

The ornamental design for a Christmas tree mold, as shown and described.

DESCRIPTION

FIG. 1 illustrates a top plan view of the Christmas tree mold showing my new design;
FIG. 2 illustrates a bottom plan view;
FIG. 3 illustrates a front side elevational view;
FIG. 4 illustrates a back side elevational view;
FIG. 5 illustrates a left side elevational view;
FIG. 6 illustrates a right side elevational view; and,
FIG. 7 illustrates a perspective view of the Christmas tree mold of FIG. 1.

1 Claim, 2 Drawing Sheets



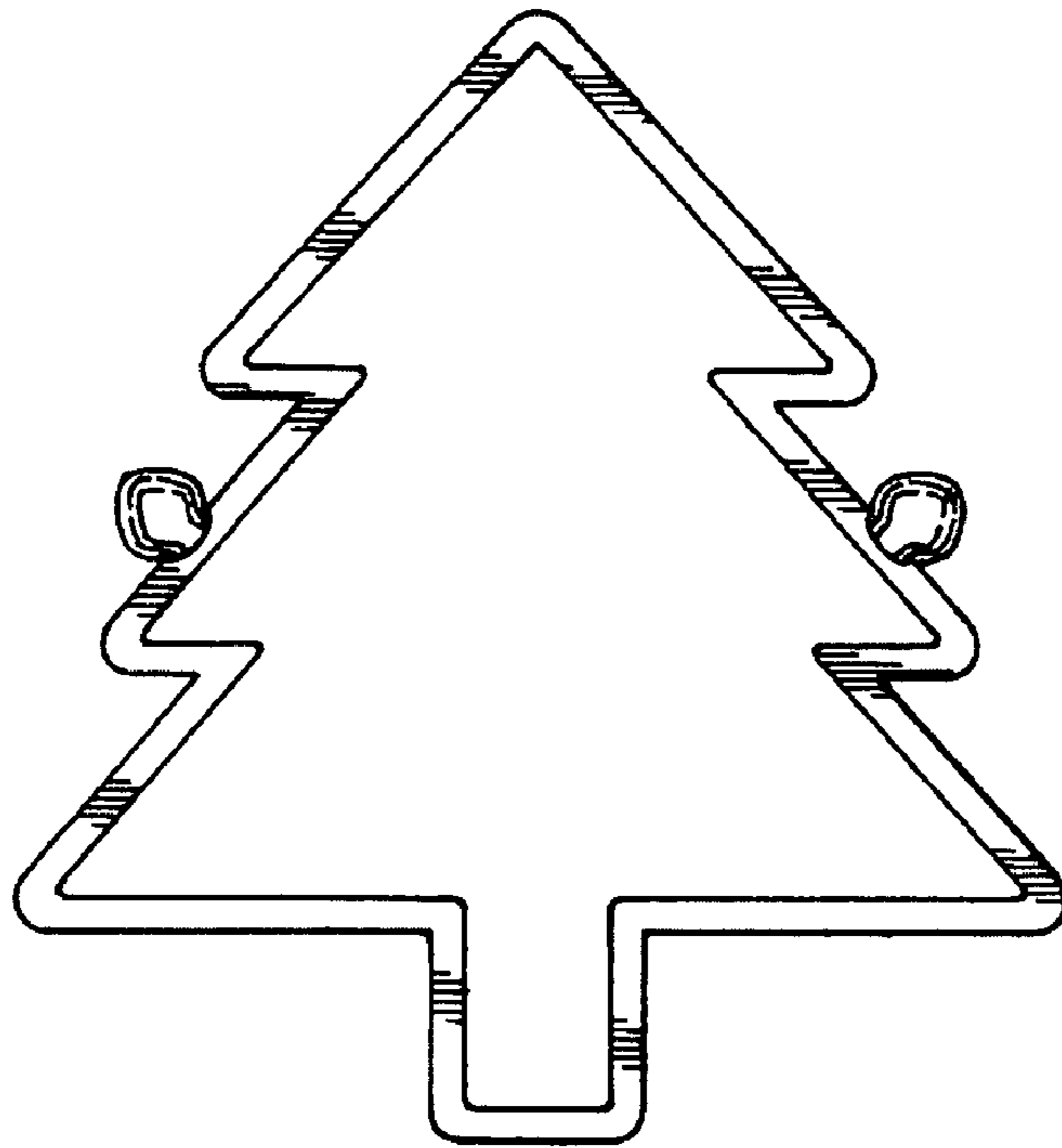


FIG. 1

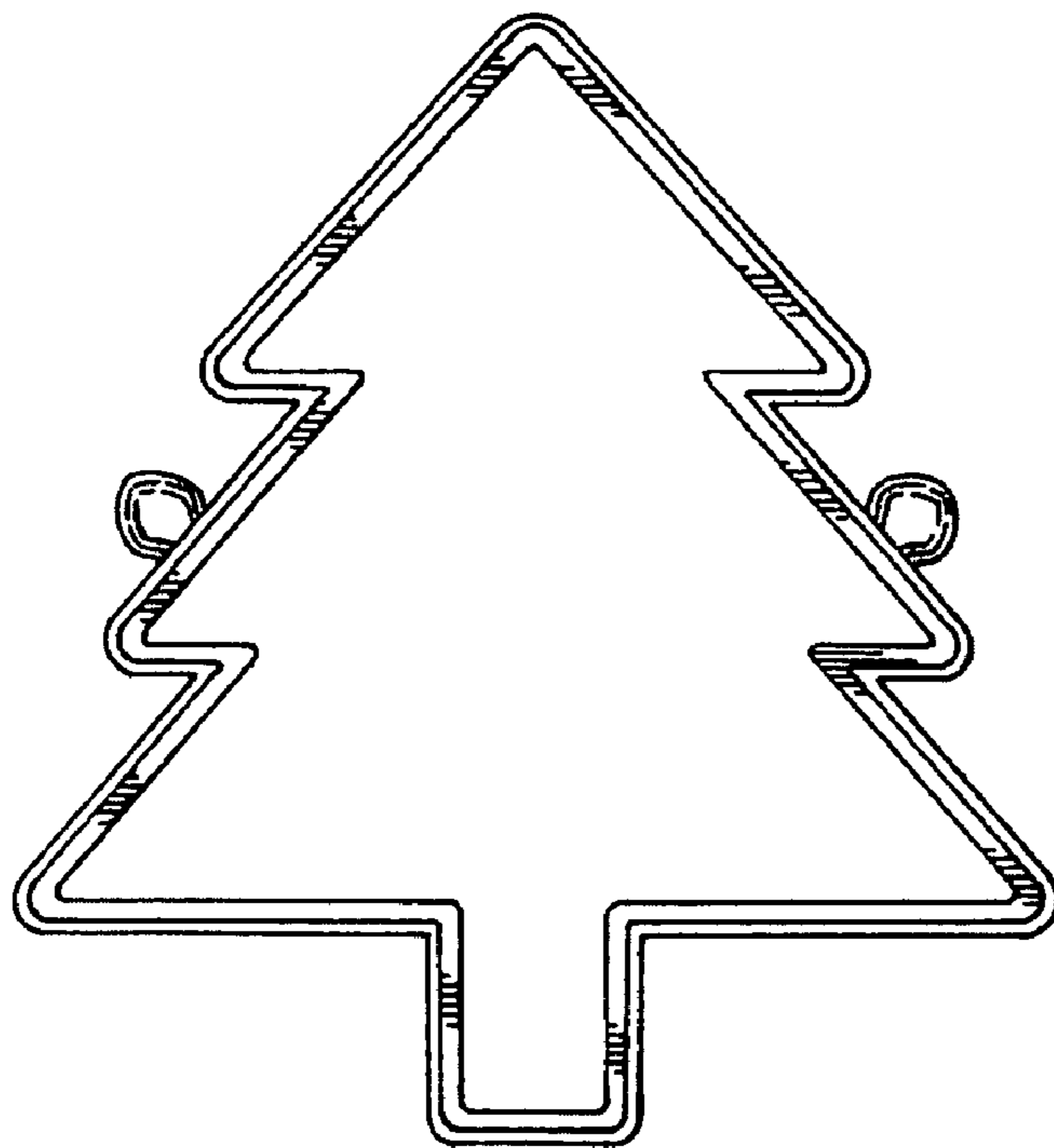


FIG. 2



FIG. 3

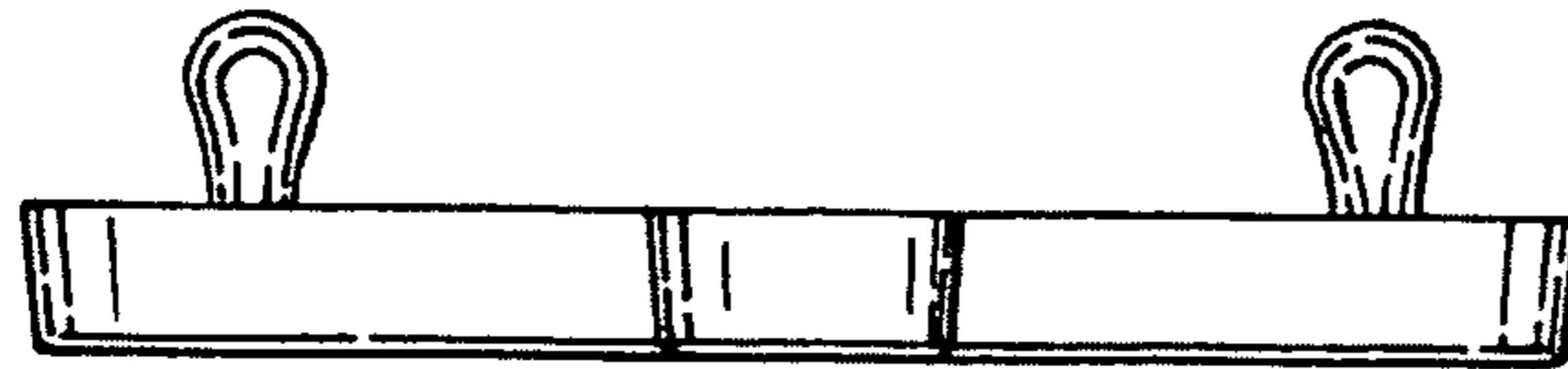


FIG. 4

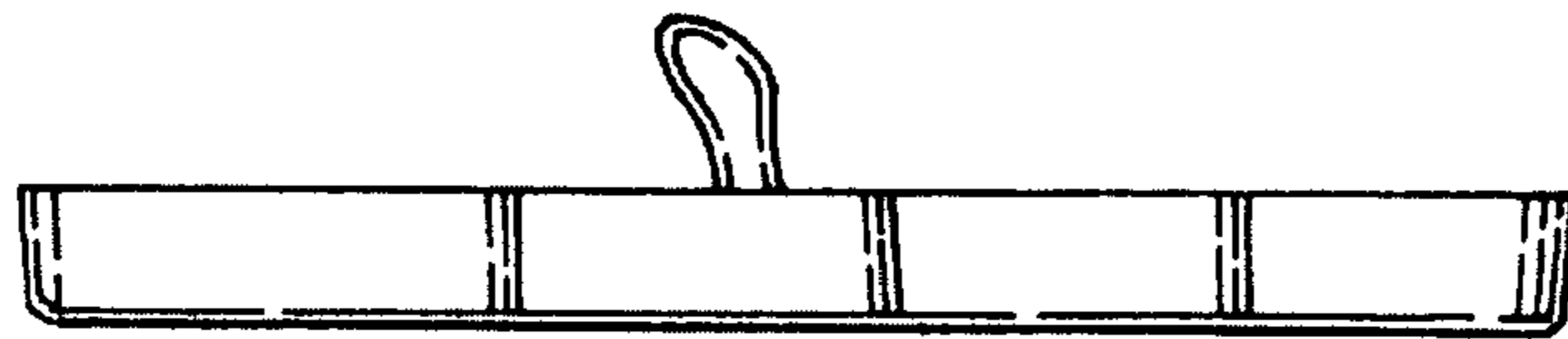


FIG. 5

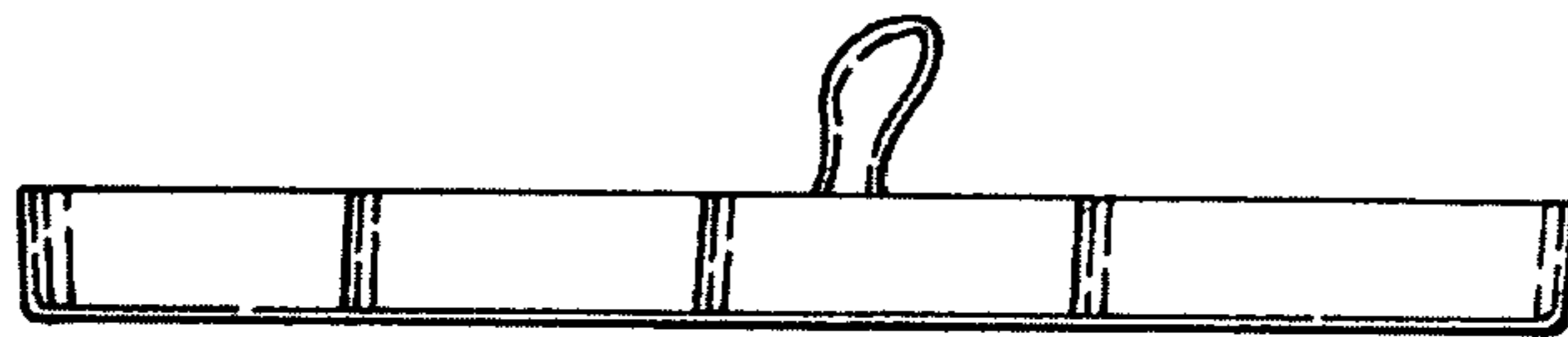


FIG. 6

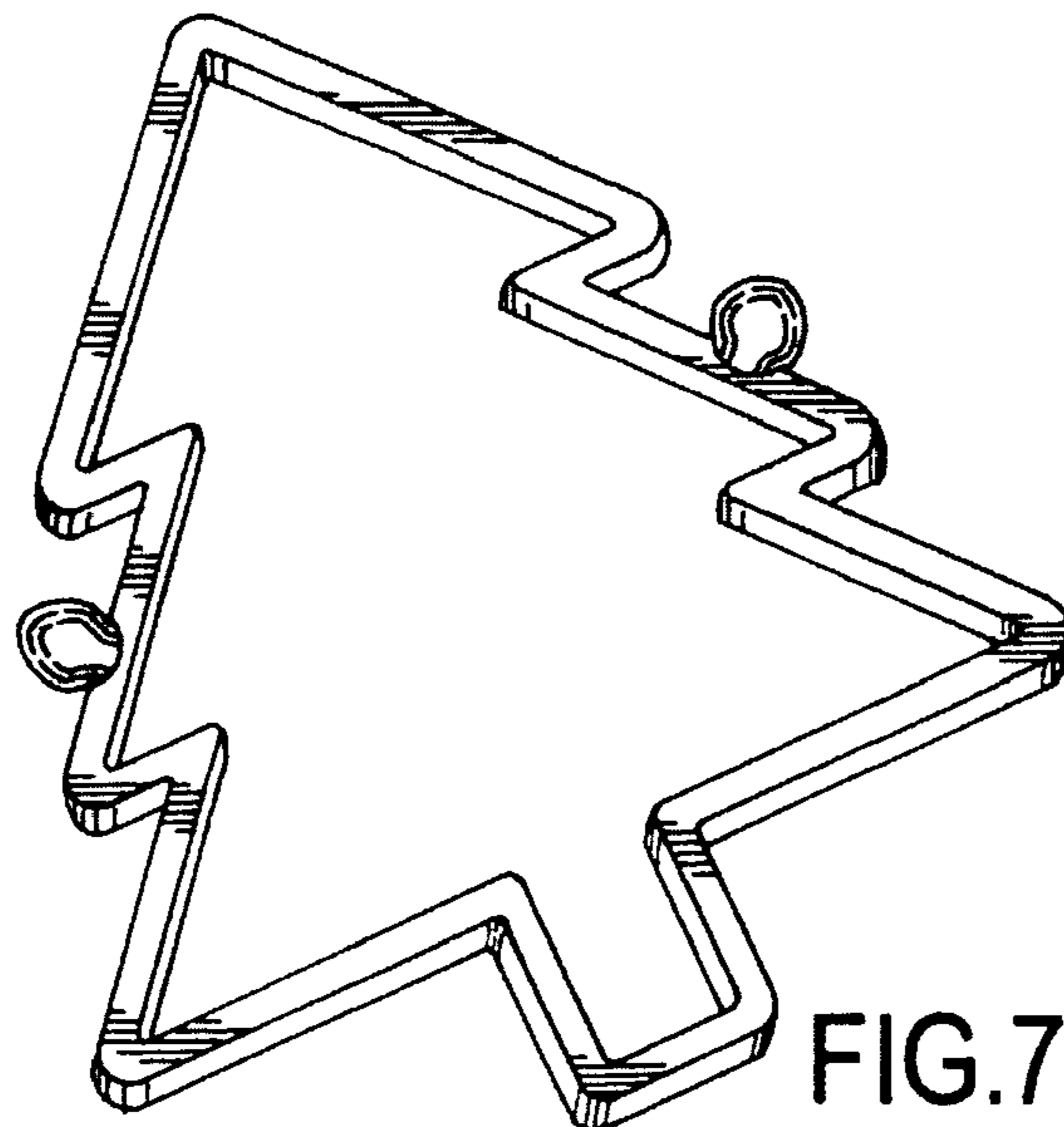


FIG. 7