

US00D654322S

(12) **United States Design Patent**  
**Duncan**

(10) **Patent No.:** **US D654,322 S**

(45) **Date of Patent:** **\*\* Feb. 21, 2012**

(54) **BEVERAGE CONTAINER HOLDING DEVICE**

(76) Inventor: **Craig Leonard Duncan**, Moranbah  
(AU)

(\*\*) Term: **14 Years**

(21) Appl. No.: **29/389,623**

(22) Filed: **Apr. 14, 2011**

(51) **LOC (9) Cl.** ..... **07-06**

(52) **U.S. Cl.** ..... **D7/620**

(58) **Field of Classification Search** ..... D7/601-602,  
D7/619.1, 624.1, 624.2, 388; D11/1, 3, 5-6,  
D11/11, 19, 25, 79, 86, 93; D9/444, 455,  
D9/501, 517; D24/194, 199; 215/11.6; 220/592.16,  
220/592.17, 737-739, 902-903; 229/89-91;  
248/346.11

See application file for complete search history.

(56) **References Cited**

**U.S. PATENT DOCUMENTS**

3,463,436 A \* 8/1969 Foster, Jr. .... 248/311.2  
4,596,370 A \* 6/1986 Adkins ..... 248/311.2

4,878,642 A \* 11/1989 Kirby, Jr. .... 248/311.2  
D470,365 S \* 2/2003 Kautzky et al. .... D7/620  
D470,727 S \* 2/2003 Bartley ..... D7/620

\* cited by examiner

*Primary Examiner* — Ian Simmons

*Assistant Examiner* — Dana L Sipos

(74) *Attorney, Agent, or Firm* — Maier & Maier, PLLC

(57) **CLAIM**

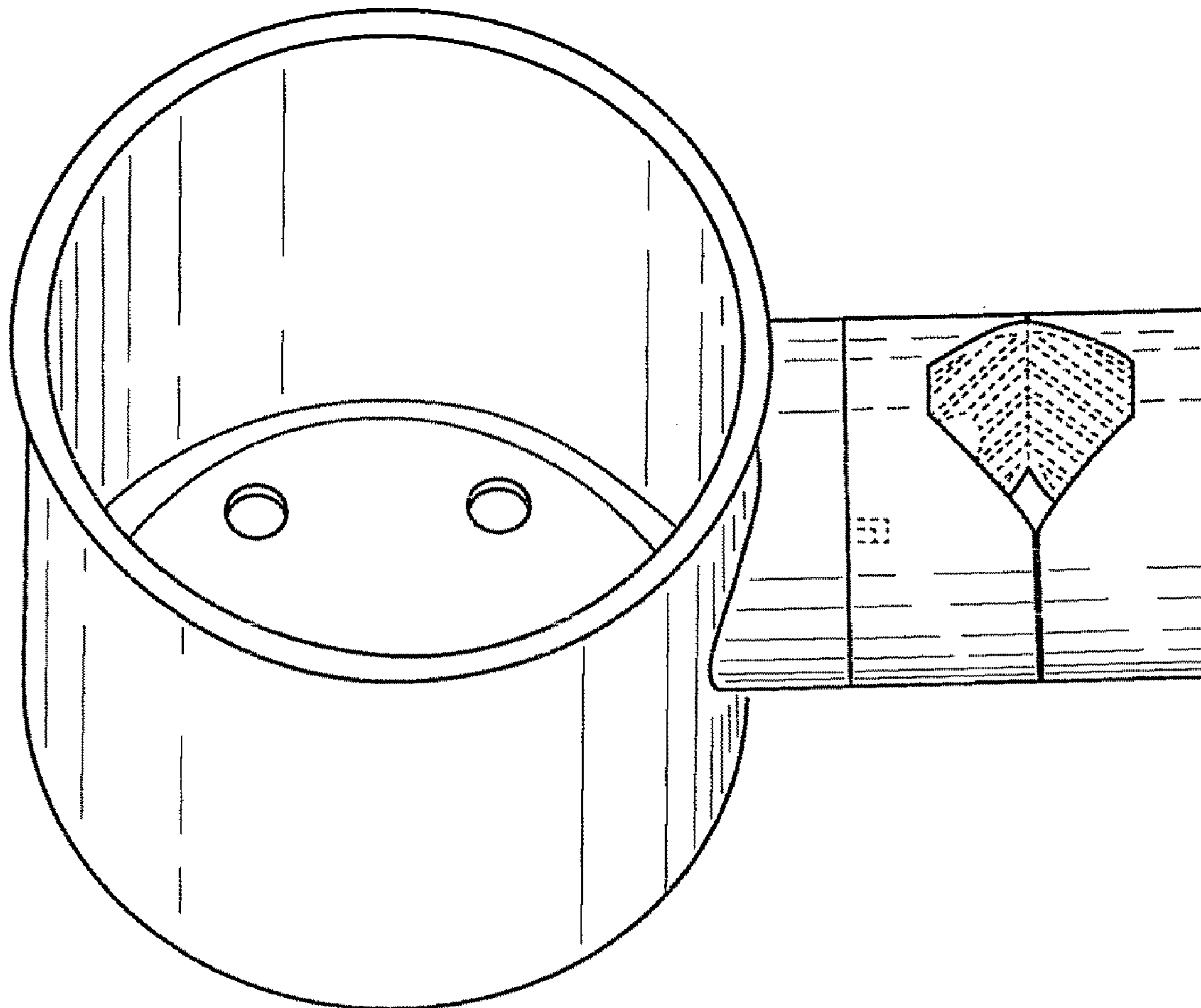
The ornamental design for a beverage container holding device, as shown and described.

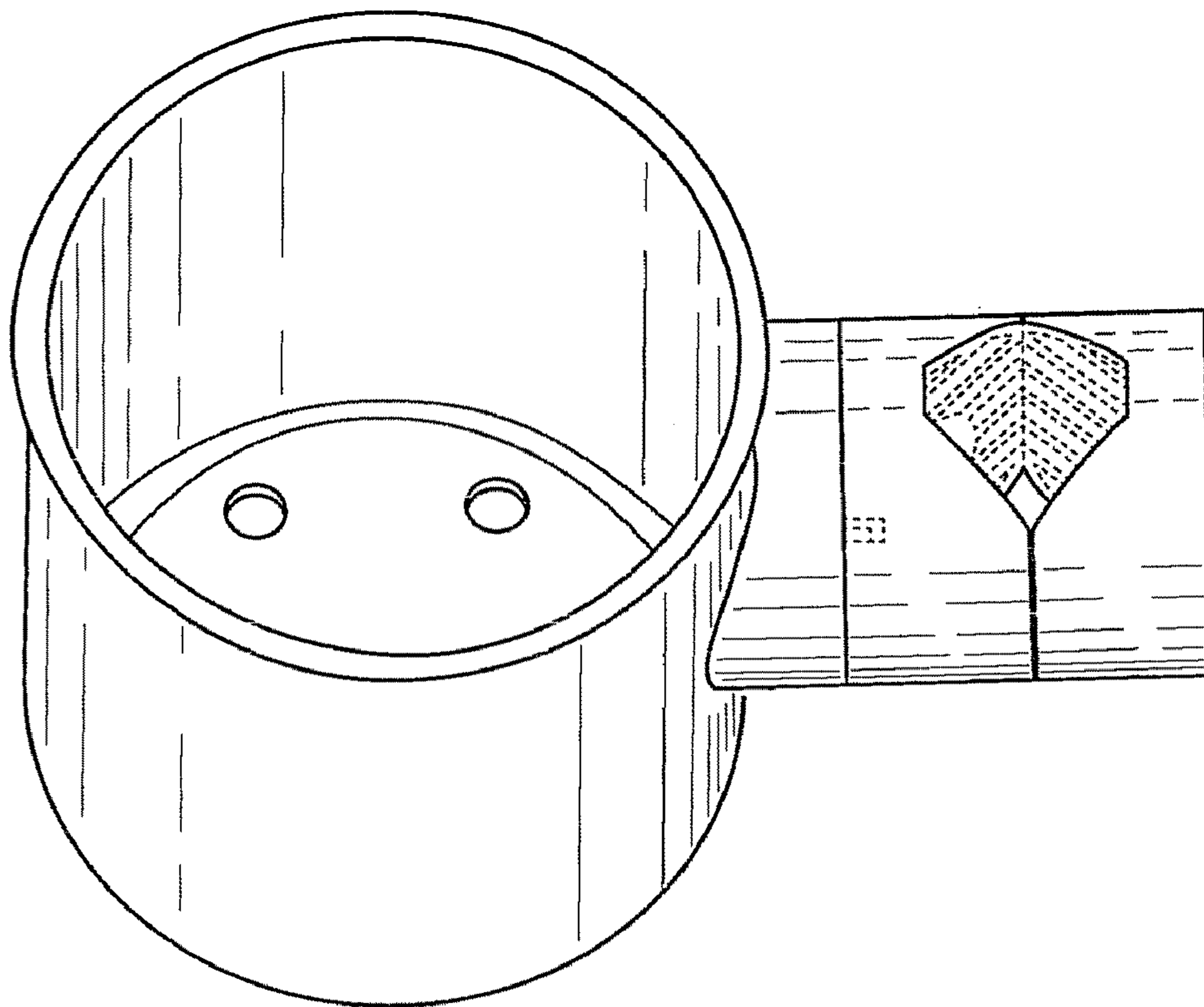
**DESCRIPTION**

FIG. 1 is a top perspective view of a beverage container holding device, showing my design; FIG. 2 is a front view thereof; FIG. 3 is a rear view thereof; FIG. 4 is a left side view thereof; FIG. 5 is a right side view thereof; FIG. 6 is a bottom view thereof; and, FIG. 7 is a top view thereof.

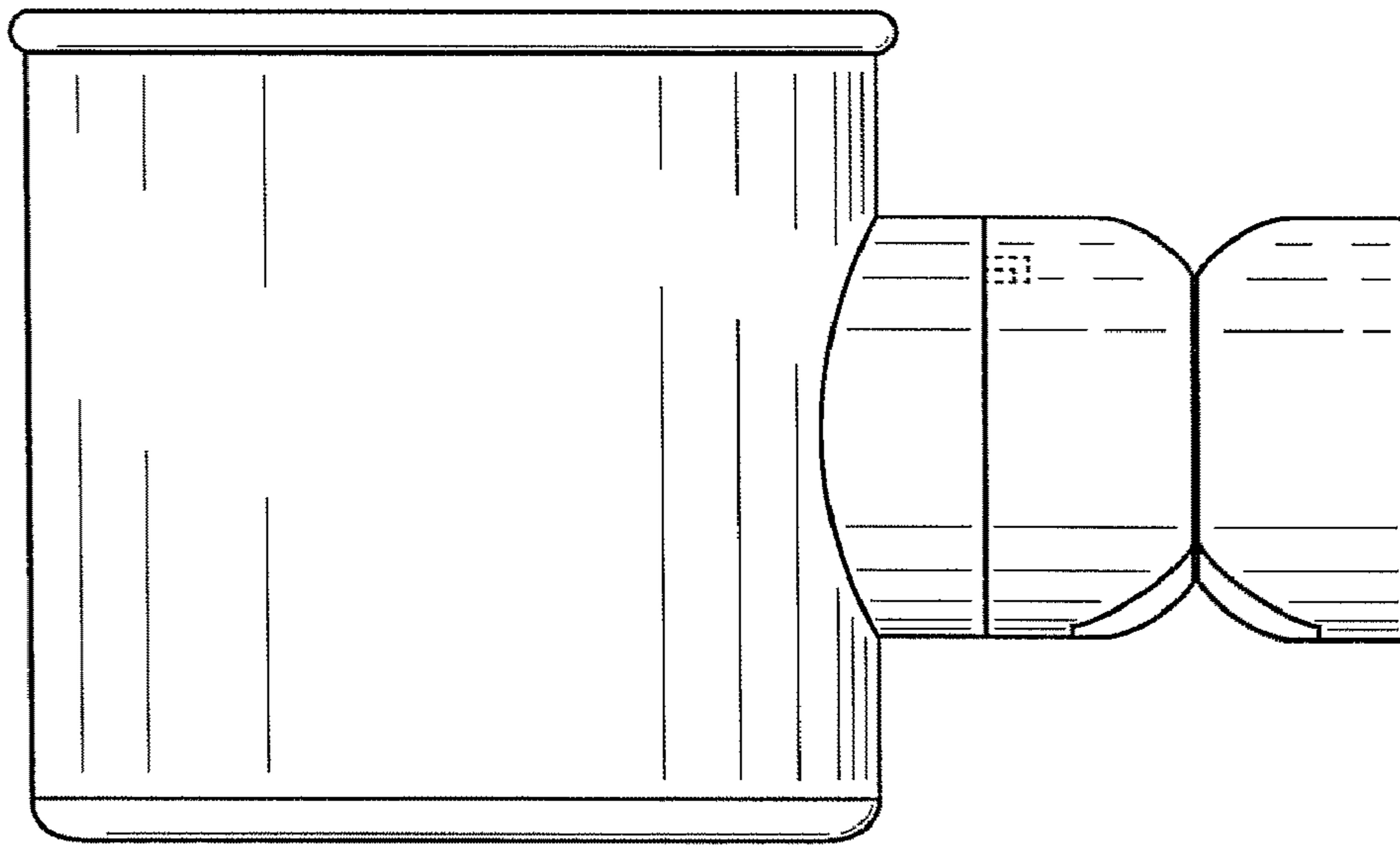
The broken line showing of parts of the drawings is included for the purpose of illustrating portions of the beverage container holding device and forms no part of the claimed design.

**1 Claim, 4 Drawing Sheets**

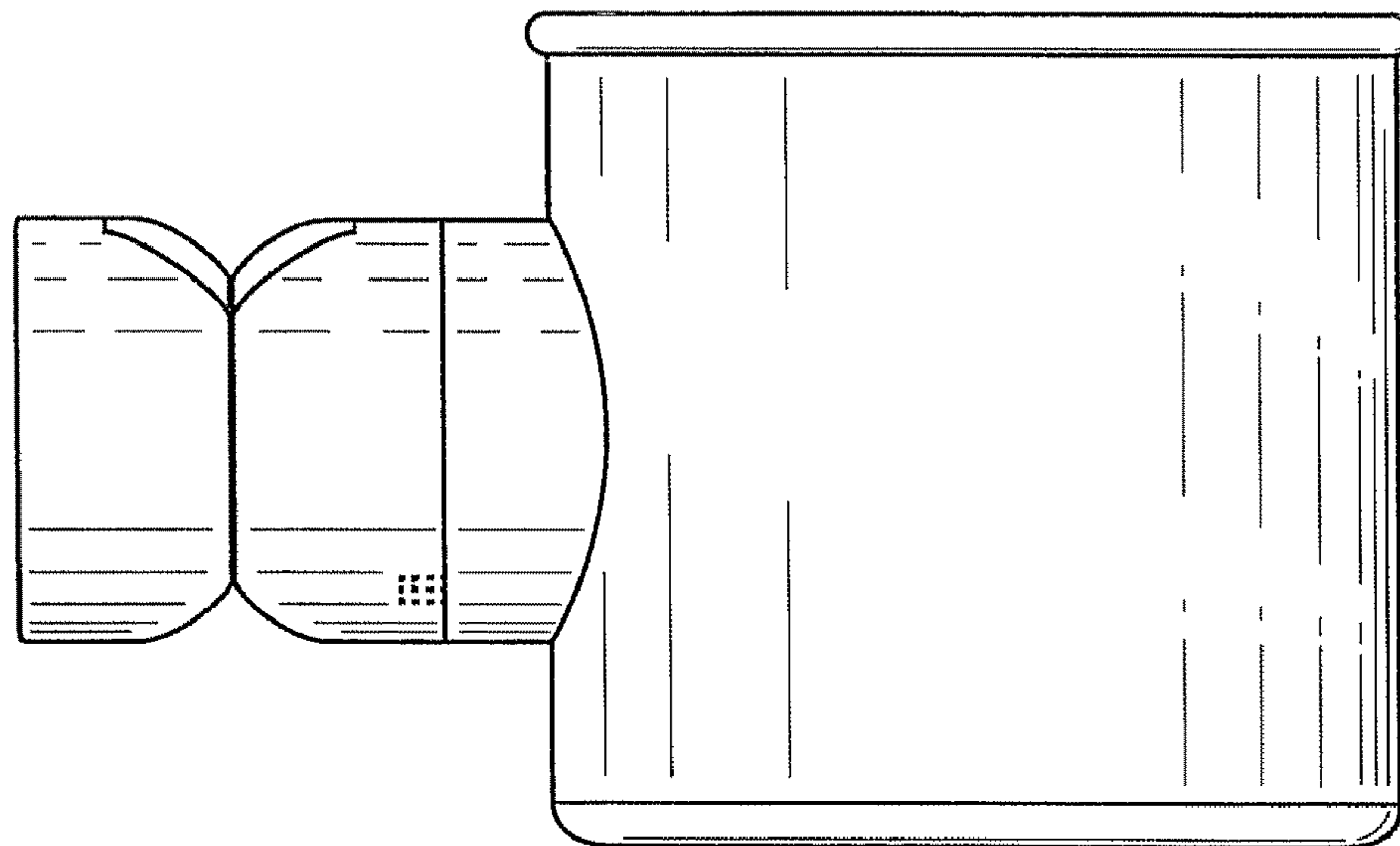




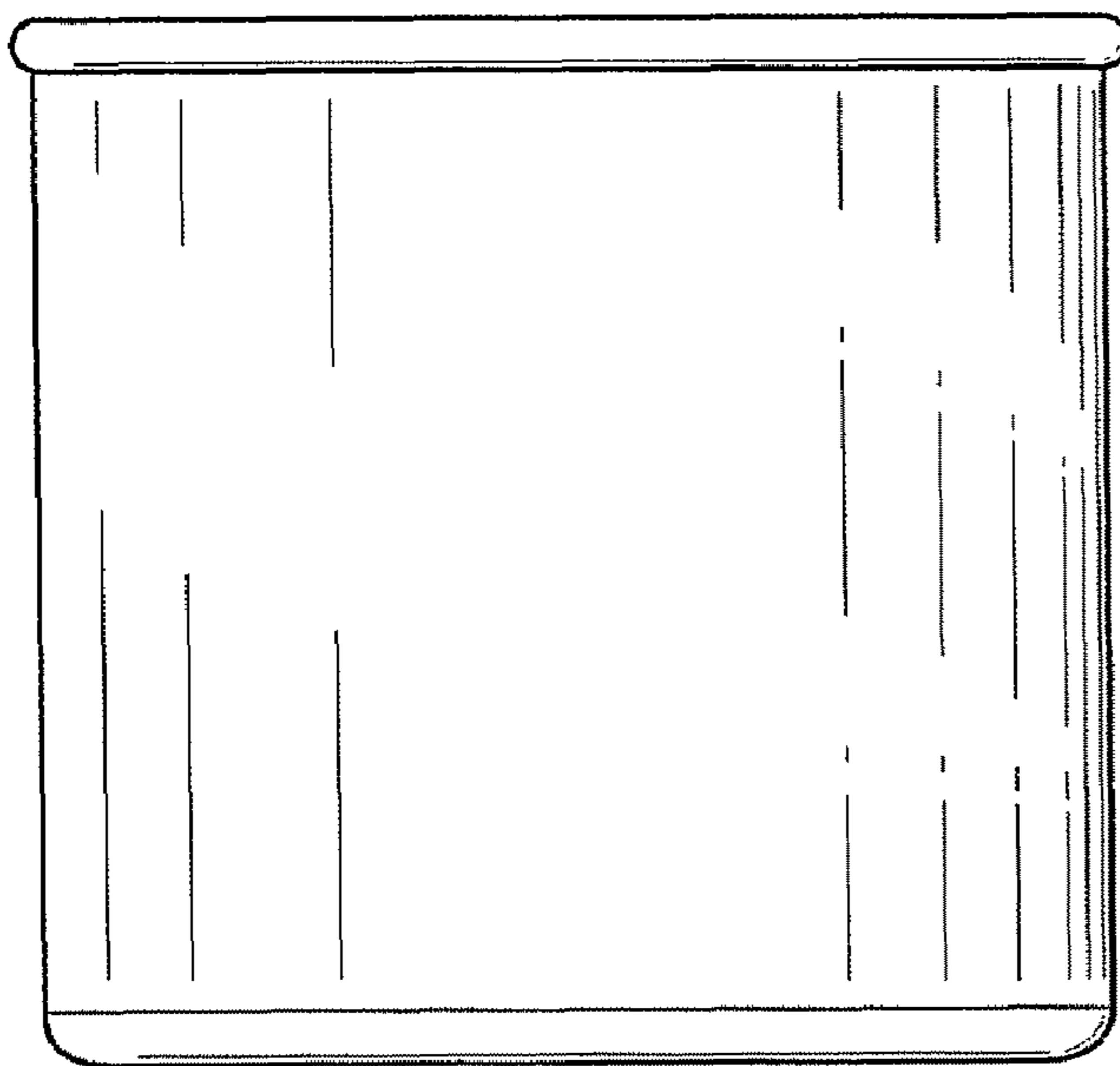
*Fig. 1*



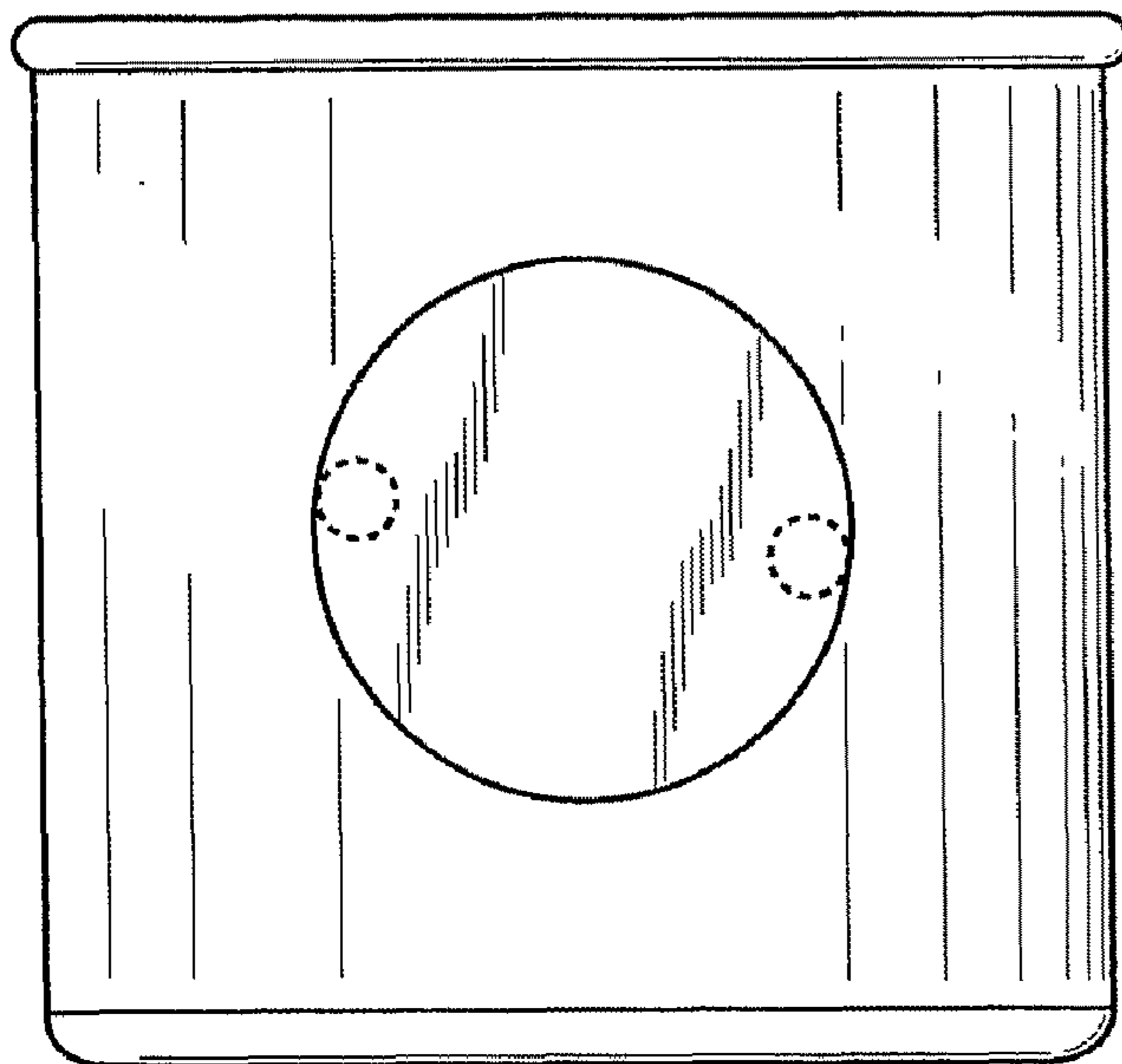
*Fig. 2*



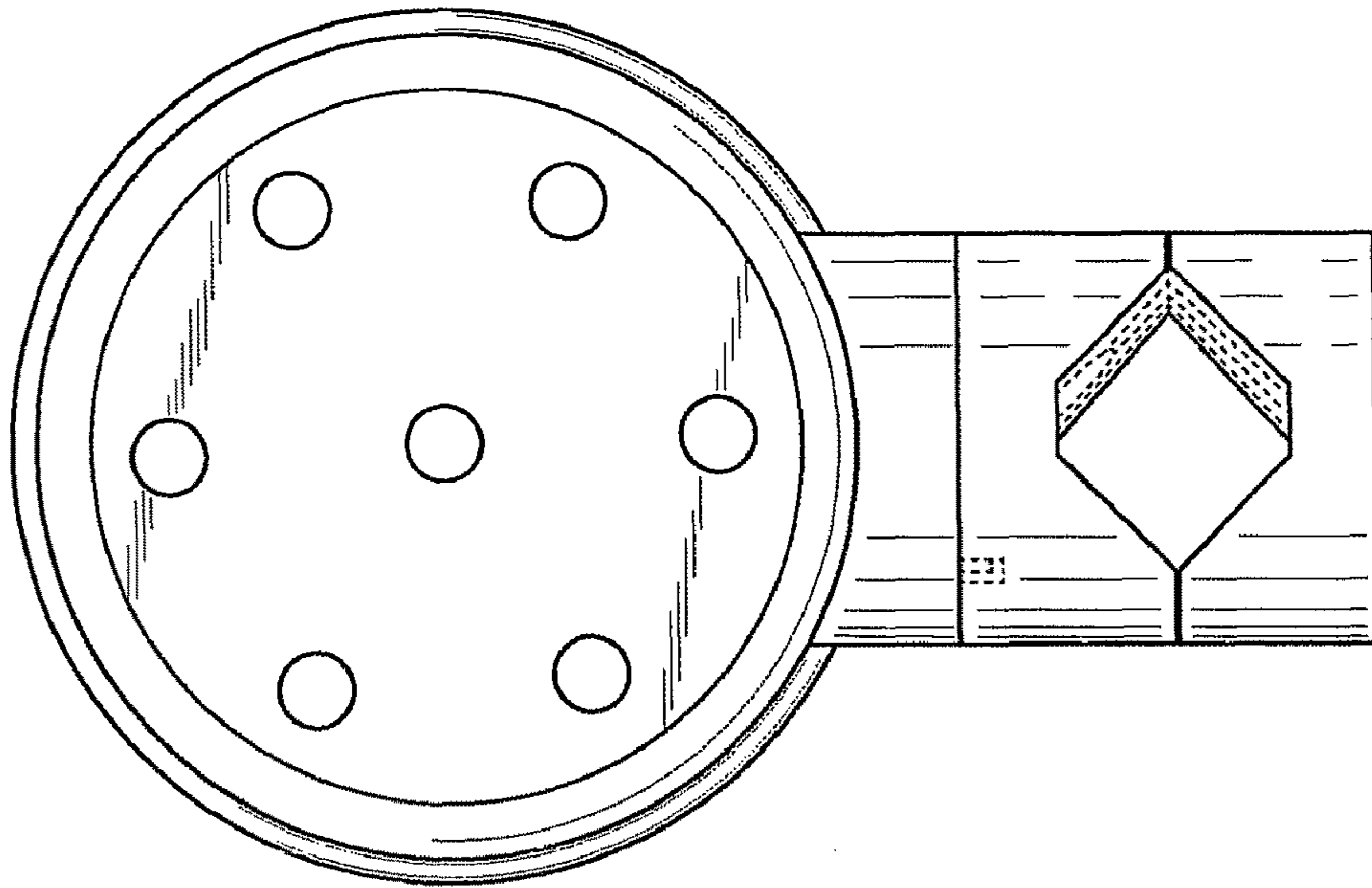
*Fig. 3*



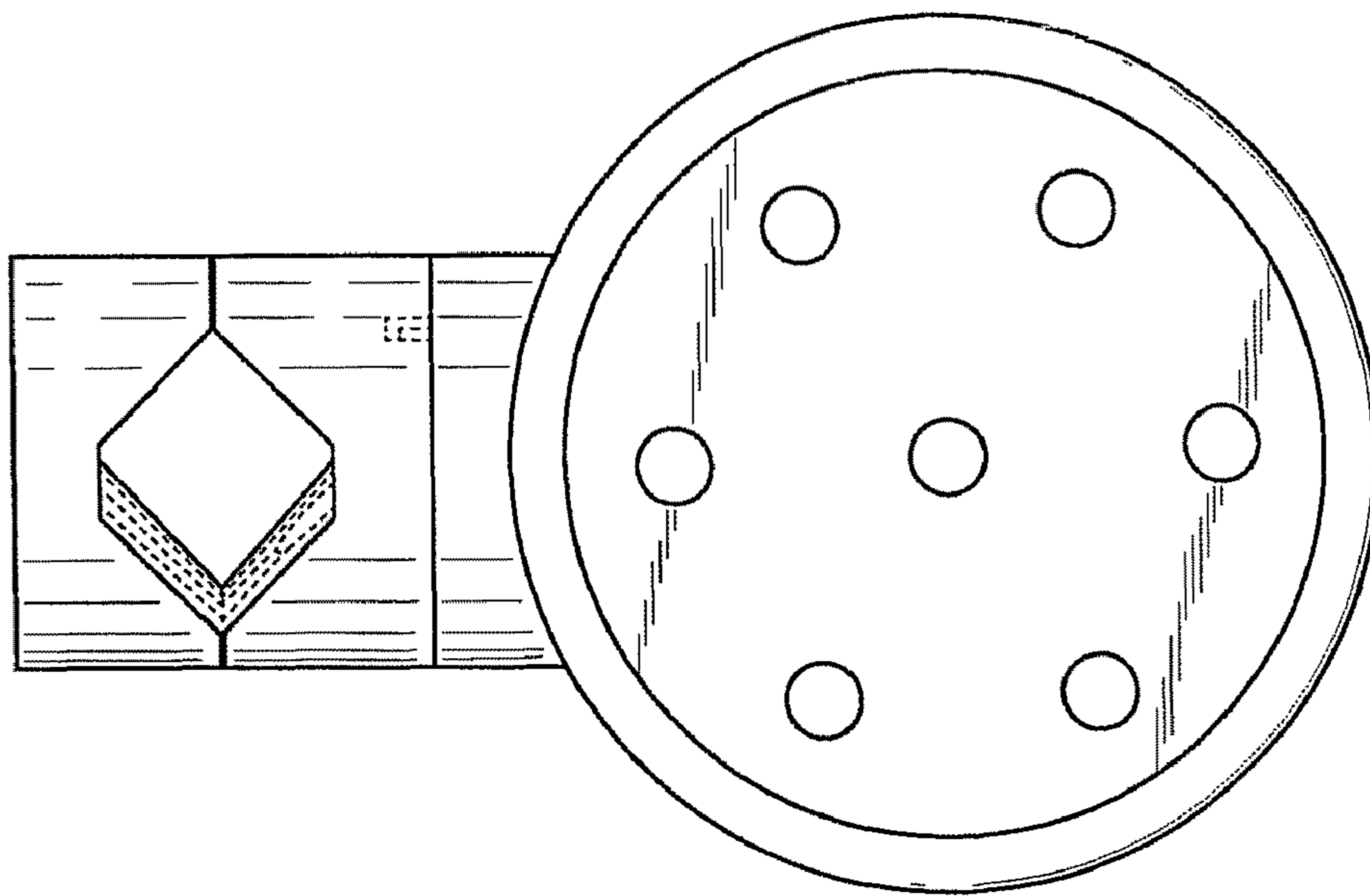
*Fig. 4*



*Fig. 5*



*Fig. 6*



*Fig. 7*