



US00D654317S

(12) **United States Design Patent**  
**Brinckerhoff et al.**

(10) **Patent No.:** **US D654,317 S**

(45) **Date of Patent:** **\*\* Feb. 21, 2012**

(54) **CHOPPER JAR**

(75) Inventors: **Amy Tinnell Brinckerhoff**, Newton, MA (US); **Andrea Stavrinou**, Brighton, MA (US)

(73) Assignee: **Euro-Pro Operating LLC**, Newton, MA (US)

(\*\*) Term: **14 Years**

(21) Appl. No.: **29/386,557**

(22) Filed: **Mar. 2, 2011**

(51) **LOC (9) Cl.** ..... **07-02**

(52) **U.S. Cl.** ..... **D7/413; D7/376; D7/378; D7/384**

(58) **Field of Classification Search** ..... D7/305-311, D7/317-323, 368, 372, 376-386, 412-415, D7/665; 99/326, 348, 508-511; 241/30-37.5, 241/101.01-101.2, 166-169.1, 285.1-285.3, 241/291, 292.1; 366/64-67, 98, 142, 197-211, 366/241-254, 279-292, 341-347; 416/75-76, 416/70 R, 163

See application file for complete search history.

(56) **References Cited**

**U.S. PATENT DOCUMENTS**

D320,326 S	*	10/1991	Barrault	.....	D7/384
D320,717 S		10/1991	O'Brien		
D339,716 S		9/1993	Barrault		
D346,526 S	*	5/1994	Bannigan	.....	D7/323
D366,595 S	*	1/1996	Dobson et al.	.....	D7/384
D372,835 S		8/1996	Leverrier		
D380,943 S		7/1997	Wong		
D390,745 S		2/1998	Leverrier		

D395,573 S		6/1998	Leverrier		
D433,872 S		11/2000	Naft et al.		
D442,009 S		5/2001	Schwarzli		
D478,100 S		8/2003	Wade		
D572,076 S		7/2008	Ling		
D621,206 S	*	8/2010	Matta et al.	.....	D7/372
D622,095 S		8/2010	Metaxatos et al.		
D623,890 S		9/2010	Metaxatos et al.		
D629,642 S	*	12/2010	Miller	.....	D7/372
D632,523 S		2/2011	Metaxatos et al.		
D634,155 S	*	3/2011	Duncan et al.	.....	D7/373
D644,488 S	*	9/2011	Brinckerhoff et al.	.....	D7/413
D644,876 S	*	9/2011	Brinckerhoff et al.	.....	D7/413

\* cited by examiner

*Primary Examiner* — Ricky Pham

(74) *Attorney, Agent, or Firm* — Wolf, Greenfield & Sacks, P.C.

(57) **CLAIM**

The ornamental design of a chopper jar, substantially as shown and described.

**DESCRIPTION**

FIG. 1 is a perspective view of a chopper jar in accordance with the present design;

FIG. 2 is a front view thereof;

FIG. 3 is a rear view thereof;

FIG. 4 is a left side view thereof;

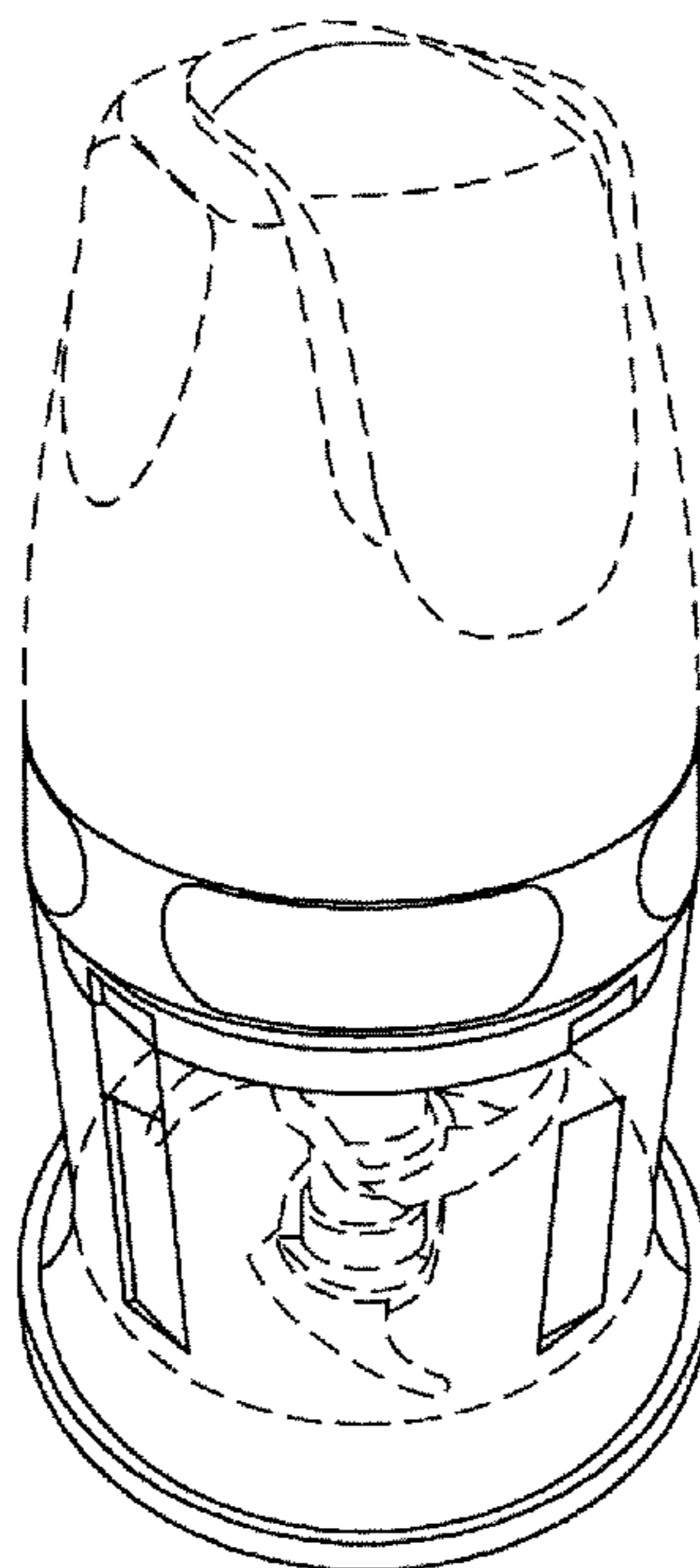
FIG. 5 is a right side view thereof;

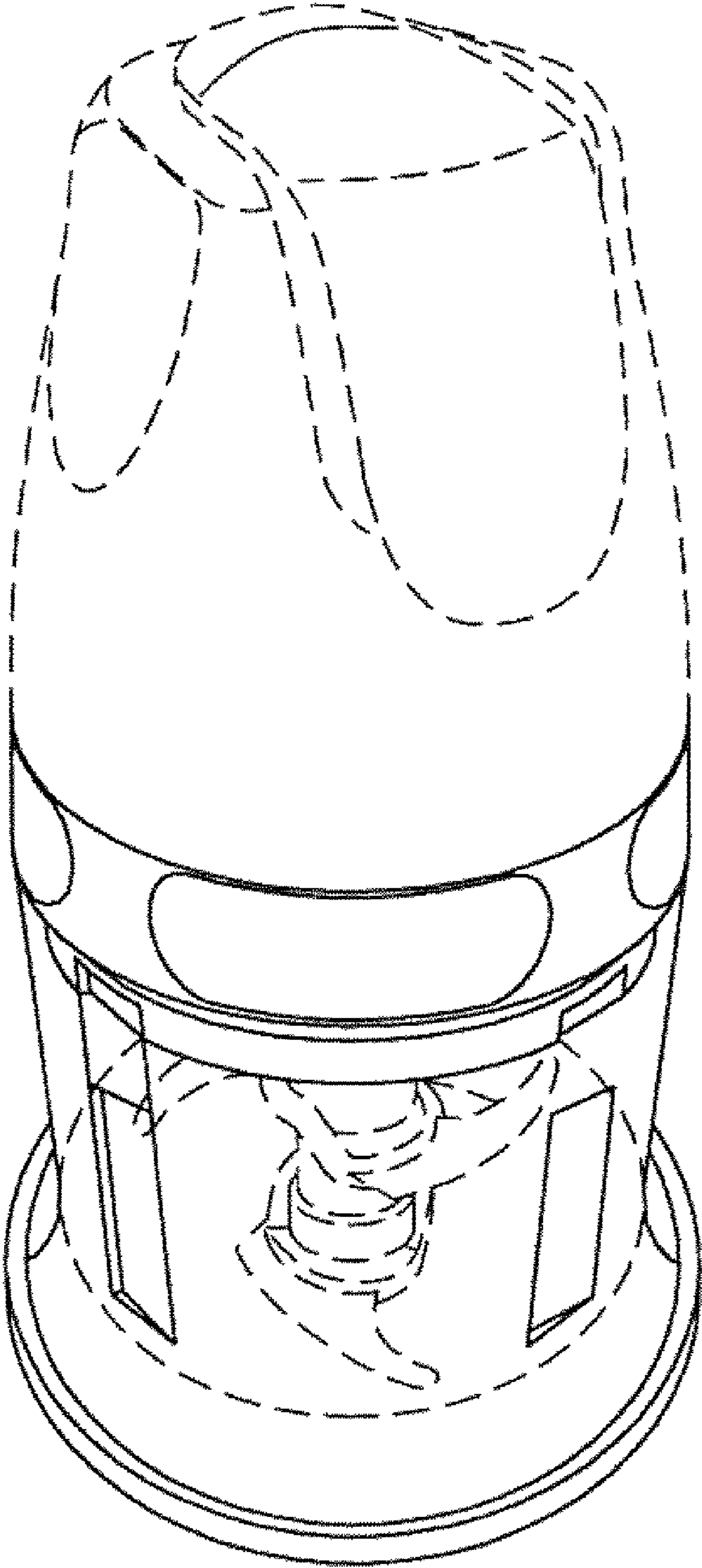
FIG. 6 is a top plan view thereof; and,

FIG. 7 is a bottom plan view thereof.

The broken lines showing chopper blades, motor head and power cord are for illustrative purposes only and form no part of the claimed design.

**1 Claim, 3 Drawing Sheets**





**FIG. 1**

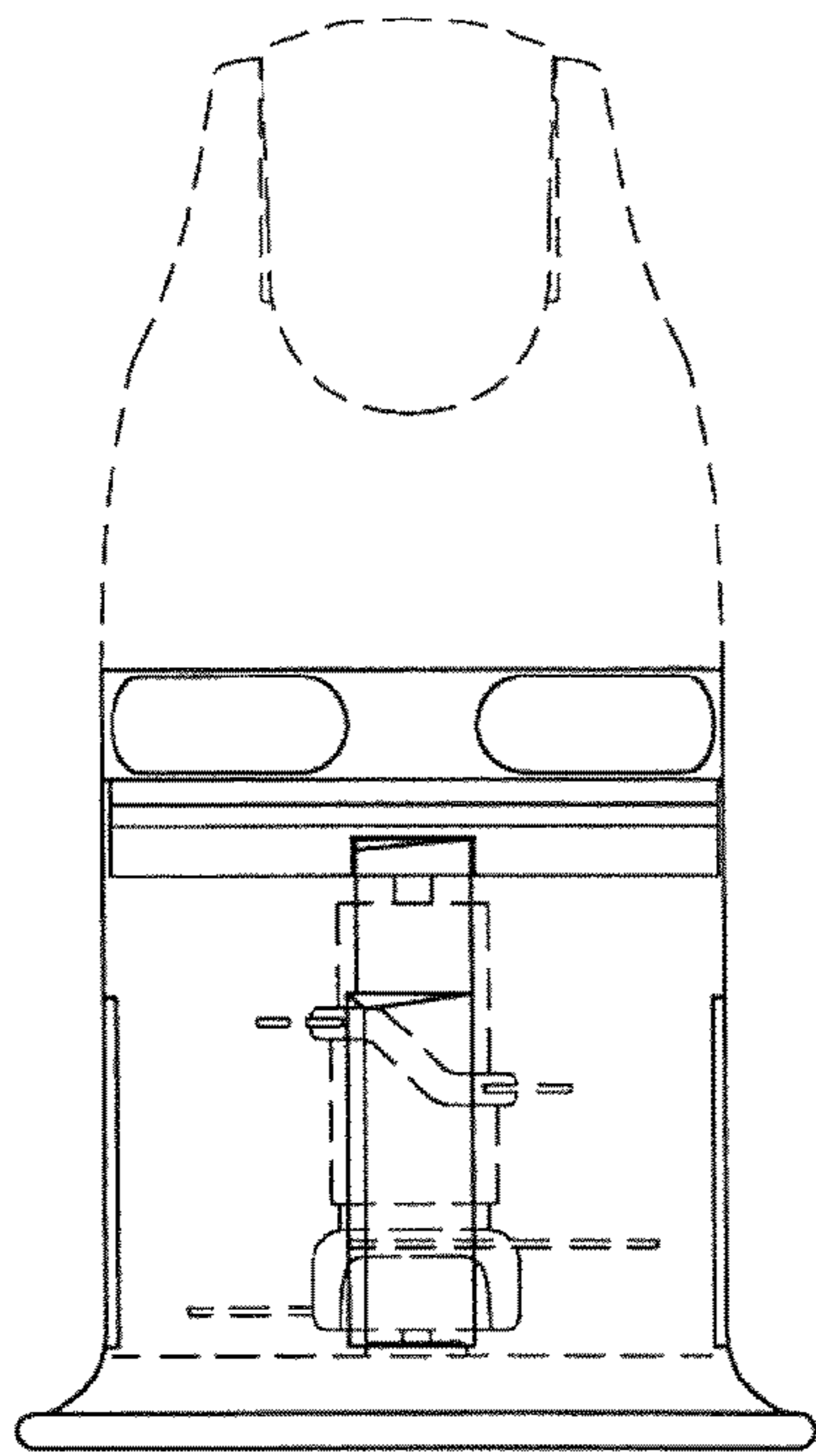


FIG. 2

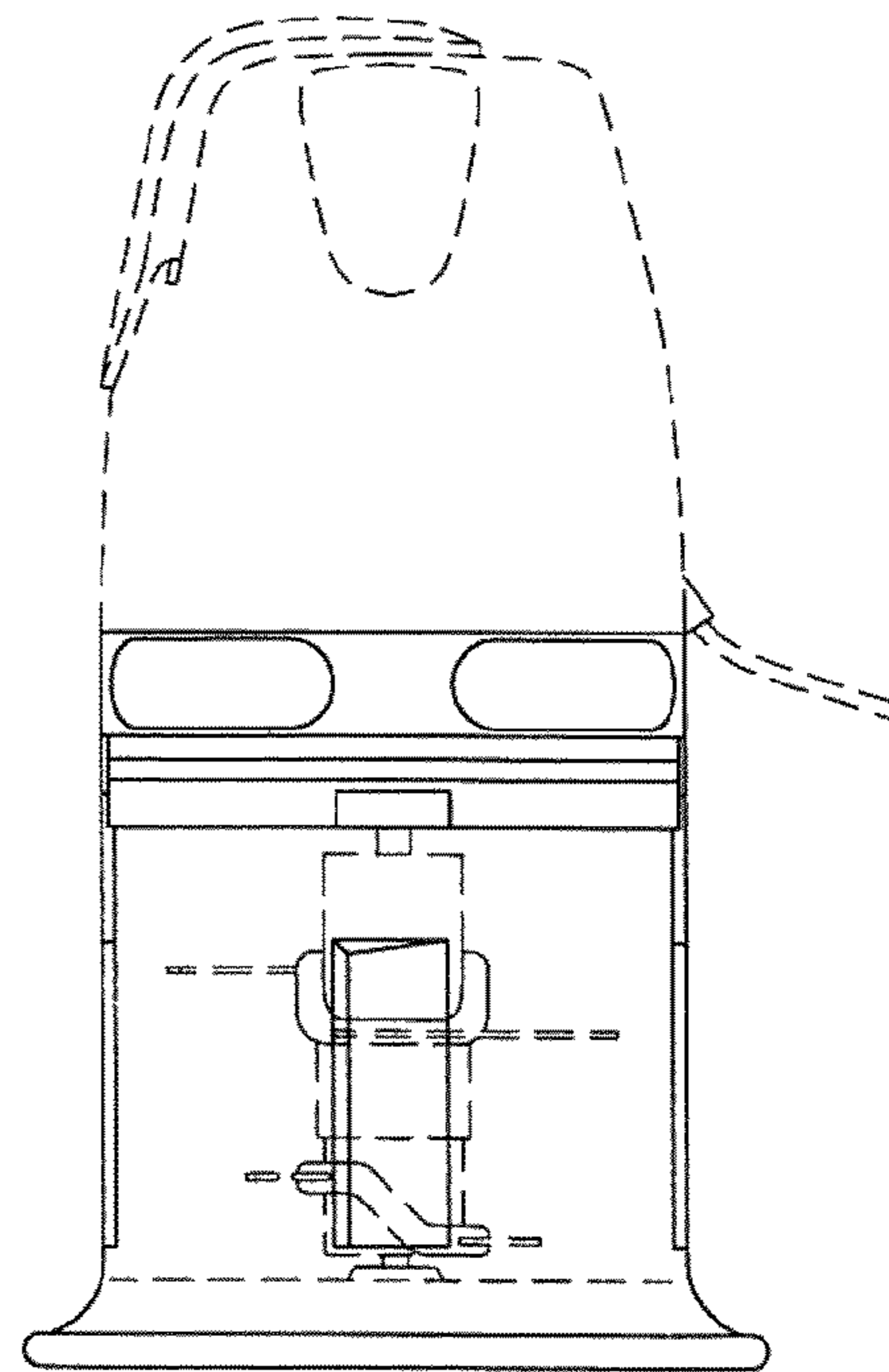


FIG. 5

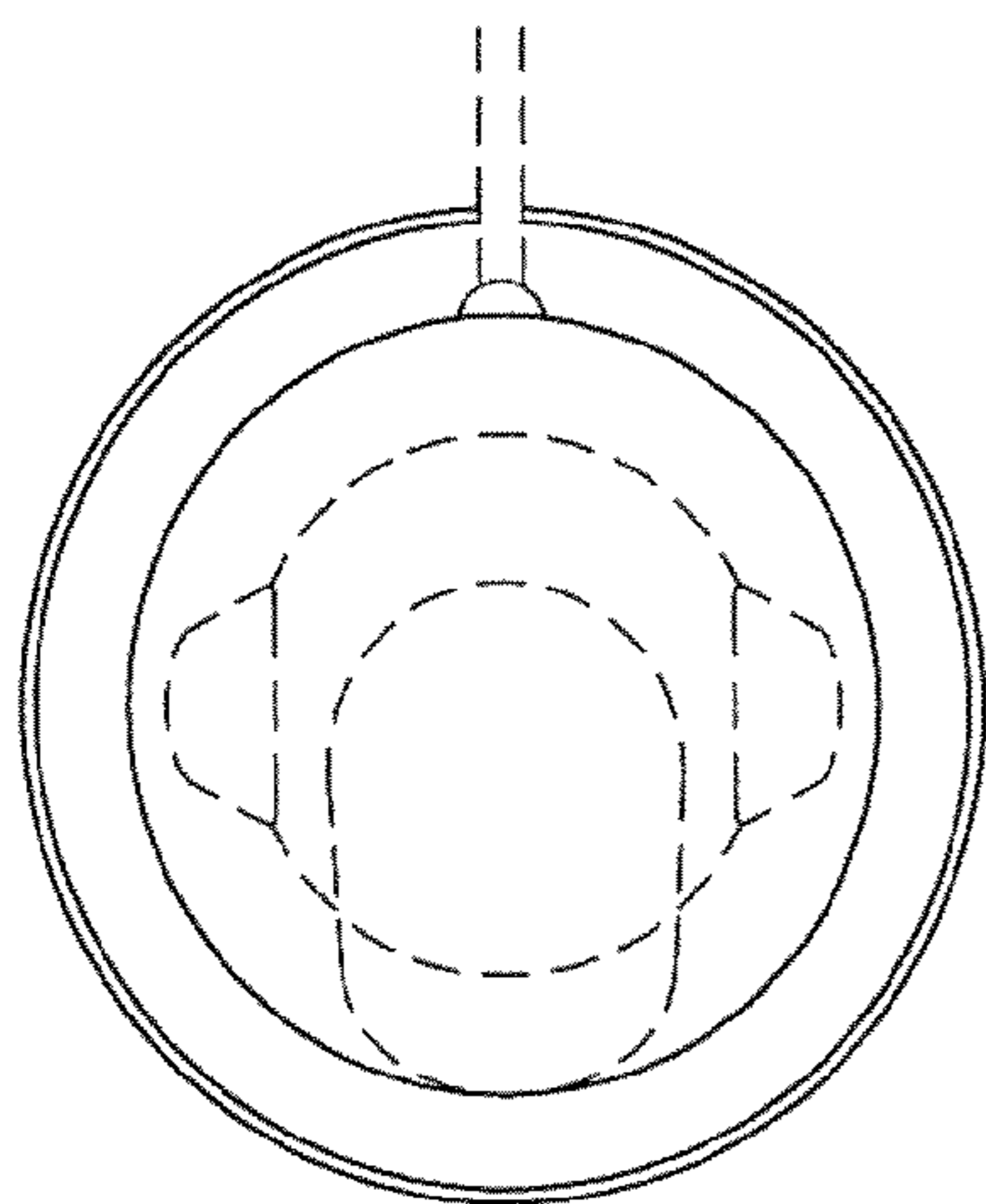


FIG. 6

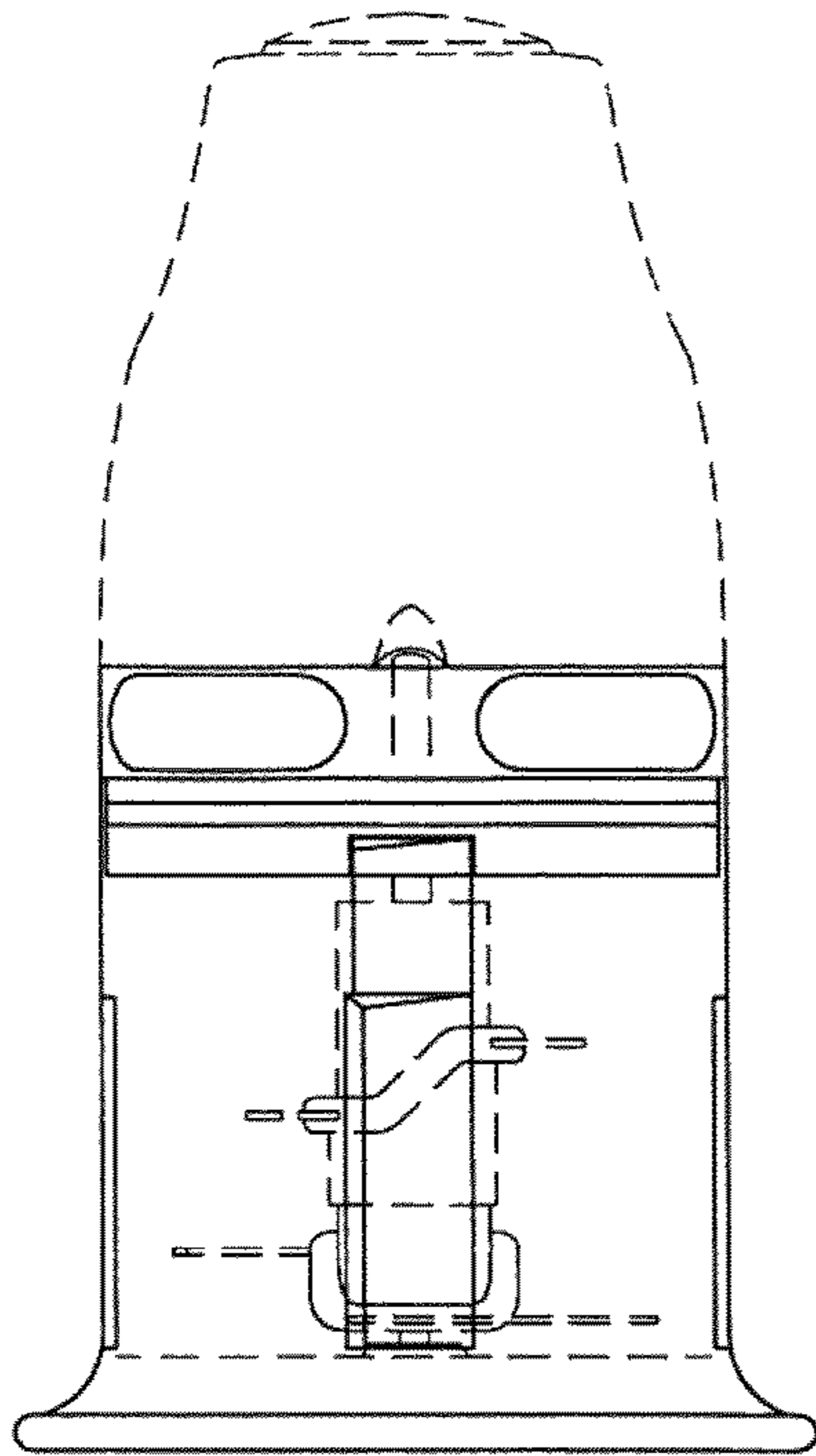


FIG. 3

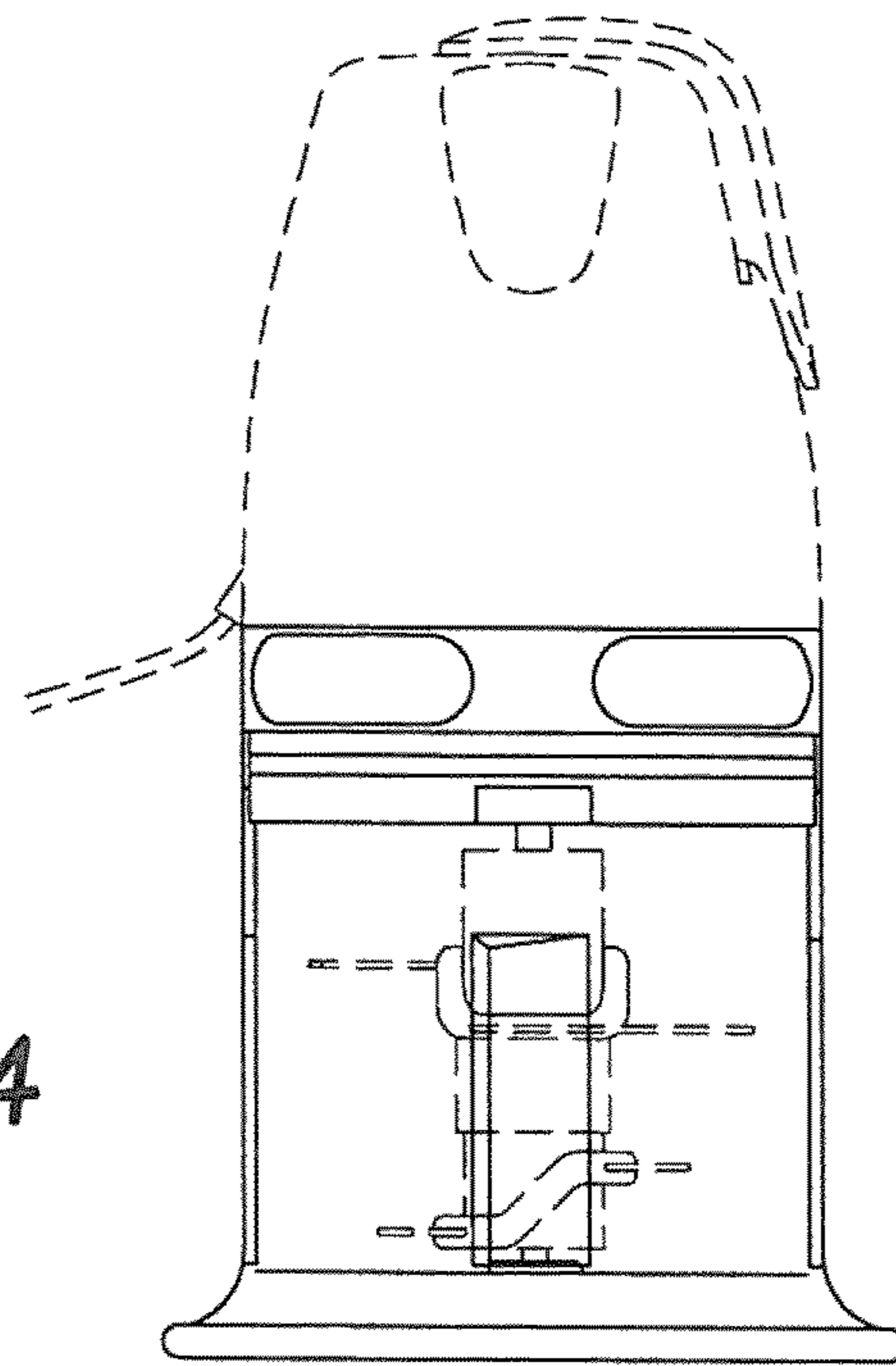


FIG. 4

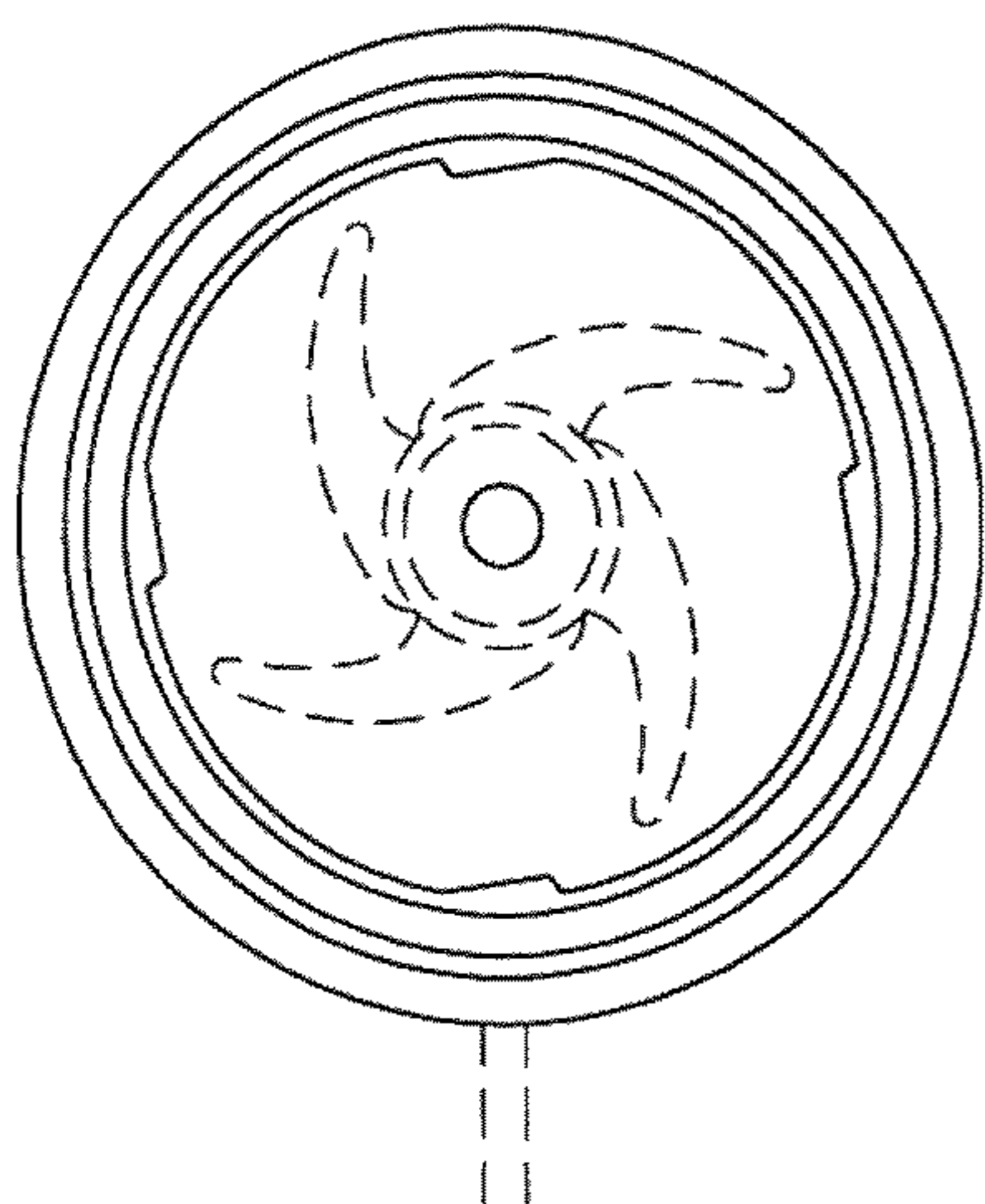


FIG. 7