



US00D654316S

(12) **United States Design Patent**
Audette

(10) **Patent No.:** **US D654,316 S**

(45) **Date of Patent:** **** Feb. 21, 2012**

(54) **BLENDER ATTACHMENT**

(75) **Inventor:** **David M Audette**, Webster, MA (US)

(73) **Assignee:** **Euro-Pro Operating LLC**, Newton, MA (US)

(**) **Term:** **14 Years**

(21) **Appl. No.:** **29/386,382**

(22) **Filed:** **Feb. 28, 2011**

(51) **LOC (9) Cl.** **31-00**

(52) **U.S. Cl.** **D7/412; D7/376; D7/378; D7/379**

(58) **Field of Classification Search** D7/305-311,
D7/317-318, 368, 372, 376-386, 391, 412-415,
D7/665; D8/70; D15/28, 138; 99/326, 348,
99/508-511; 210/205; 241/30-37.5, 101.01-101.2,
241/166-169.1, 172, 285.1-285.3, 291, 292.1;
366/64-67, 98, 129, 142, 197-211, 241-254,
366/262, 279-292, 325.8, 325.92, 341-347;
416/75-77, 70 R, 163

See application file for complete search history.

5,865,539	A *	2/1999	Rogers	366/325.8
D421,201	S	2/2000	Crescenzi et al.		
D421,546	S	3/2000	Ekstrom		
6,068,395	A *	5/2000	Ondracek	366/129
D440,476	S *	4/2001	Del Gaone	D8/70
6,331,071	B2 *	12/2001	Akamine et al.	366/325.92
6,350,054	B1 *	2/2002	Lee et al.	366/325.92
D499,303	S	12/2004	Huang		
D501,628	S	2/2005	Feil		
D503,588	S	4/2005	Feil		
D506,354	S	6/2005	Nguyen		
D521,531	S *	5/2006	Provines	D15/28
D536,577	S	2/2007	Henry et al.		
D644,875	S *	9/2011	Audette	D7/412

* cited by examiner

Primary Examiner — Ricky Pham

(74) *Attorney, Agent, or Firm* — Wolf, Greenfield & Sacks, P.C.

(57) **CLAIM**

The ornamental design of a blender attachment, substantially as shown and described.

DESCRIPTION

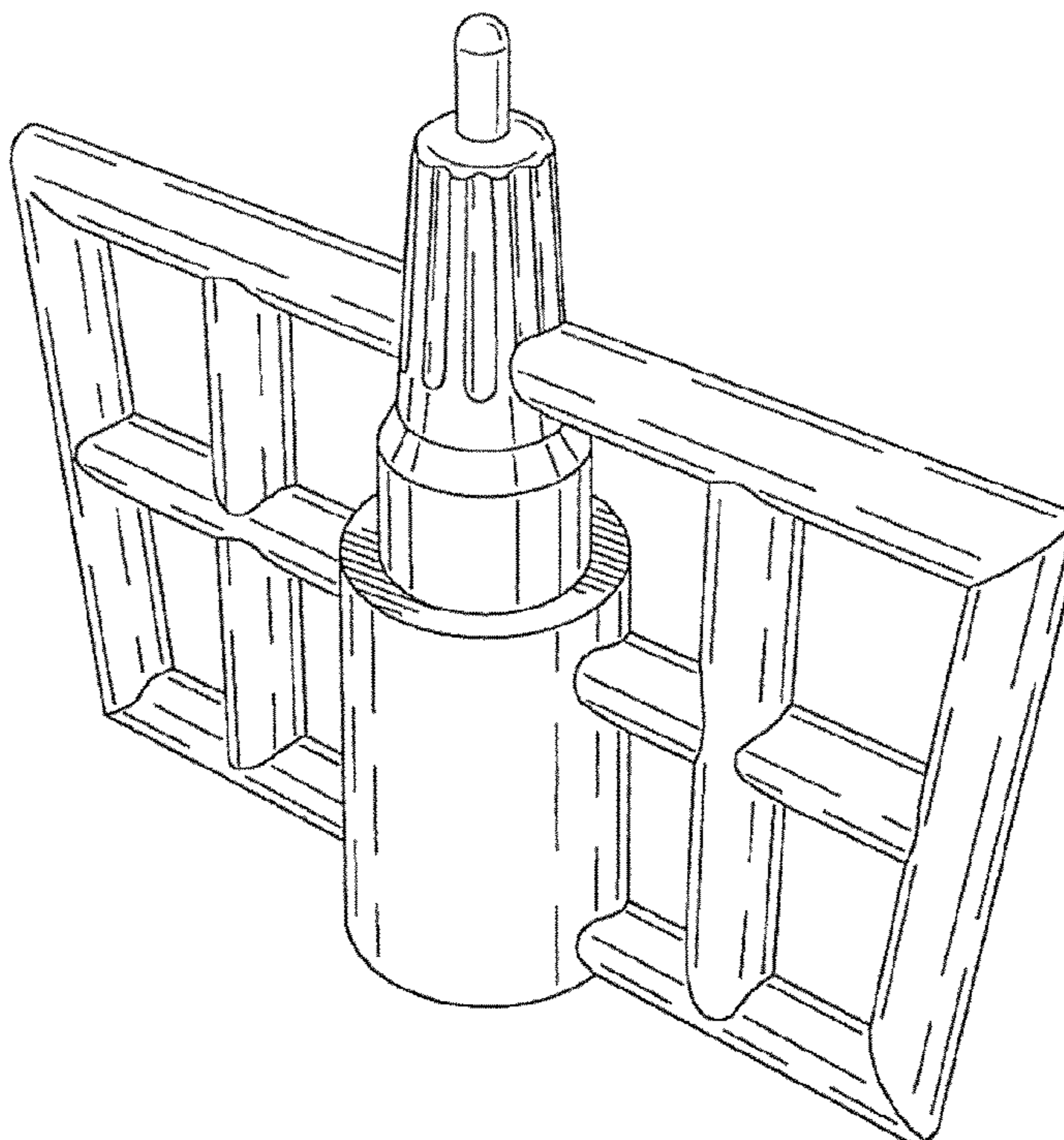
FIG. 1 is a perspective view of a blender attachment in accordance with the present design;
FIG. 2 is a front view thereof;
FIG. 3 is a rear view thereof;
FIG. 4 is a left side view thereof;
FIG. 5 is a right side view thereof;
FIG. 6 is a top plan view thereof; and,
FIG. 7 is a bottom plan view thereof.

1 Claim, 2 Drawing Sheets

(56) **References Cited**

U.S. PATENT DOCUMENTS

D221,792	S	9/1971	Moffatt et al.		
4,844,355	A *	7/1989	Kemp et al.	241/172
5,030,011	A *	7/1991	Kronberg	366/279
D328,905	S *	8/1992	Triano	D15/138
5,160,041	A *	11/1992	Taniguchi et al.	210/205
5,399,014	A *	3/1995	Takata et al.	366/262
D366,596	S	1/1996	Hewin		
D403,920	S	1/1999	Pytlewski		



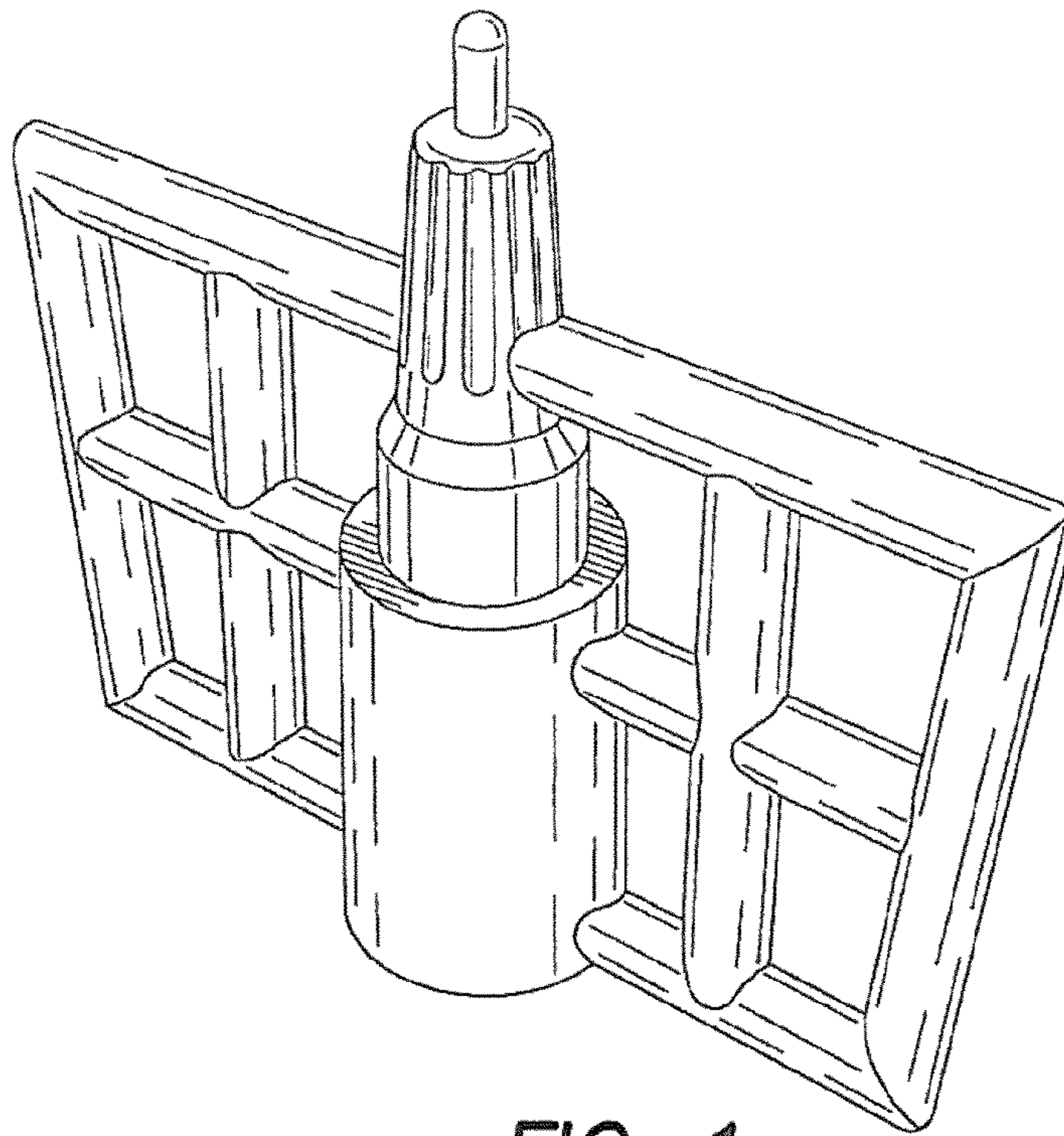


FIG. 1

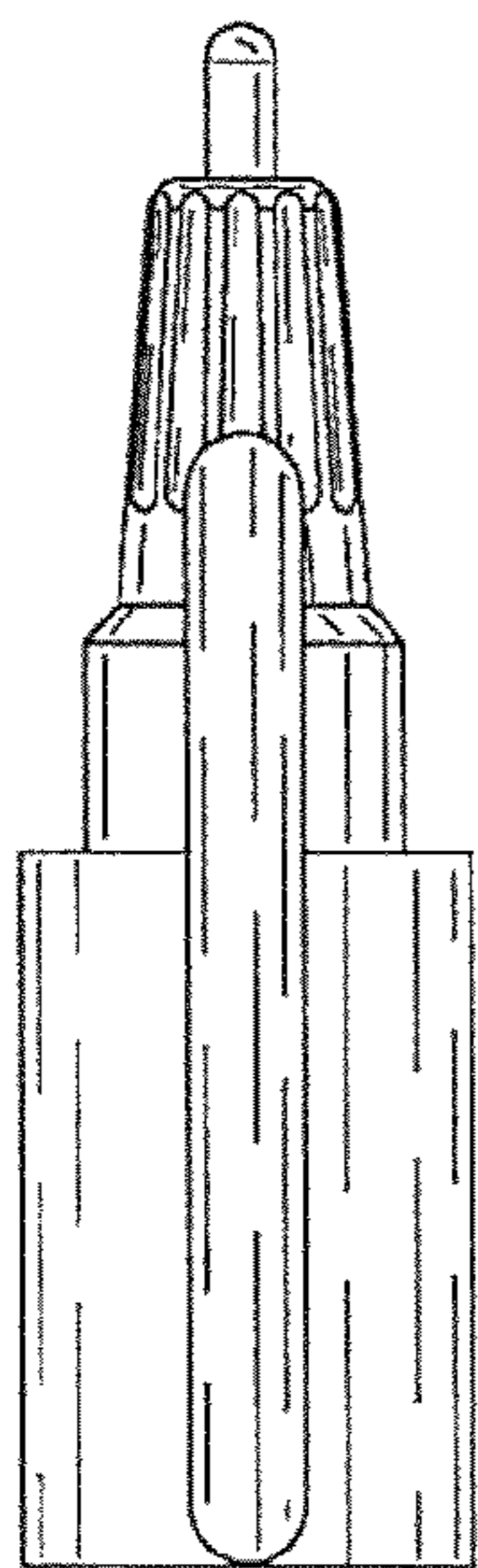


FIG. 4

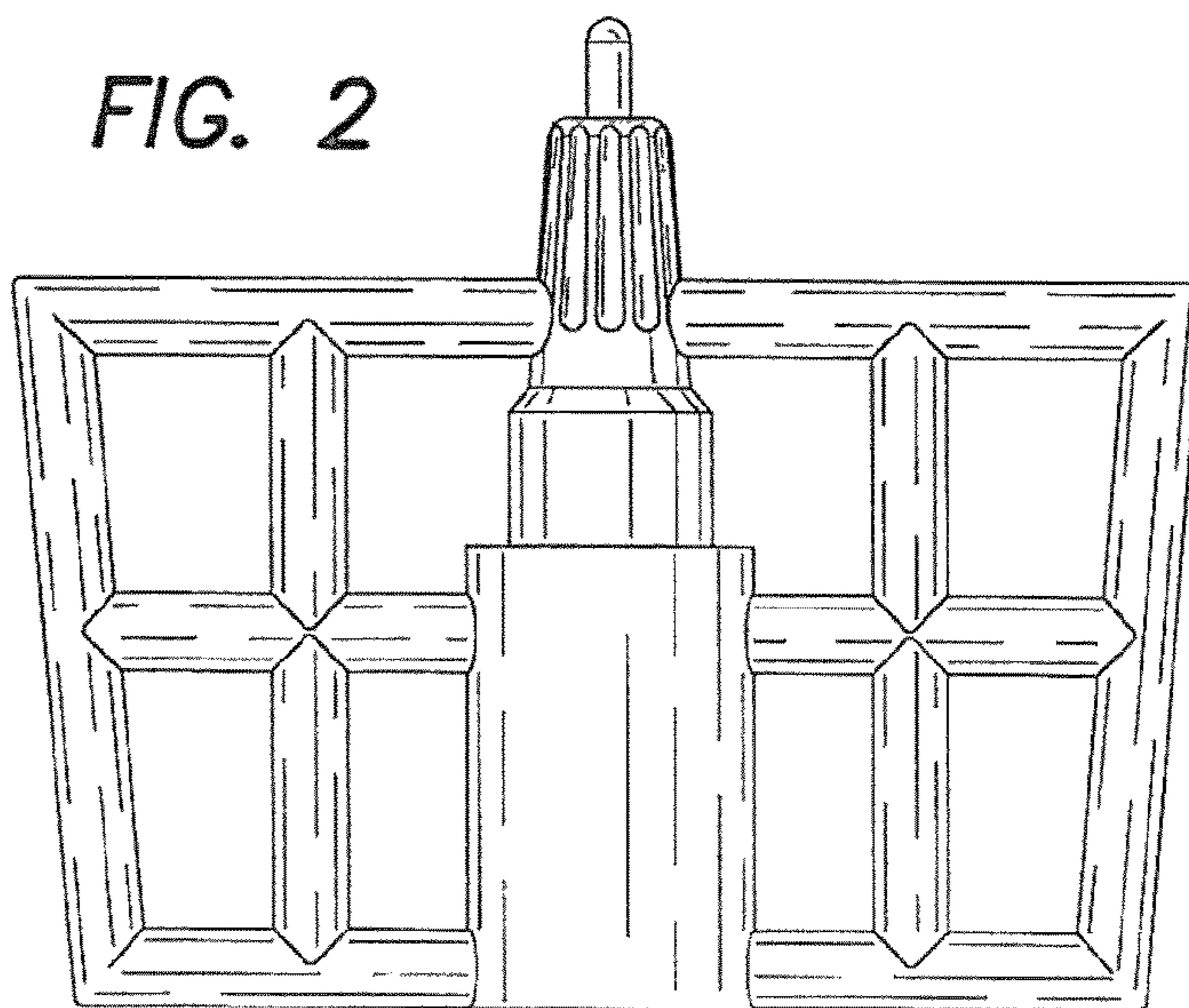


FIG. 2

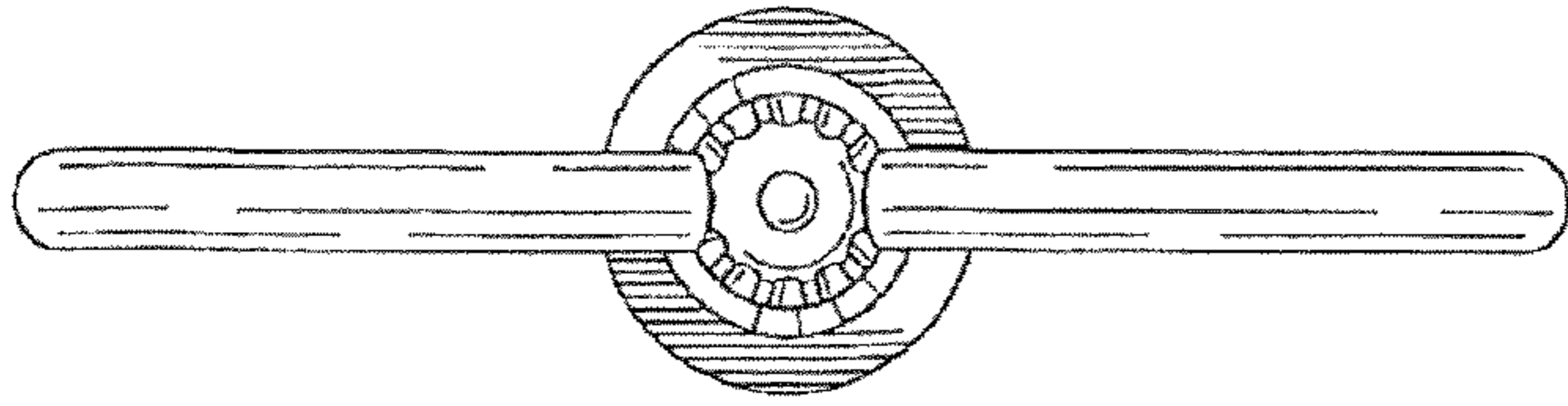


FIG. 6

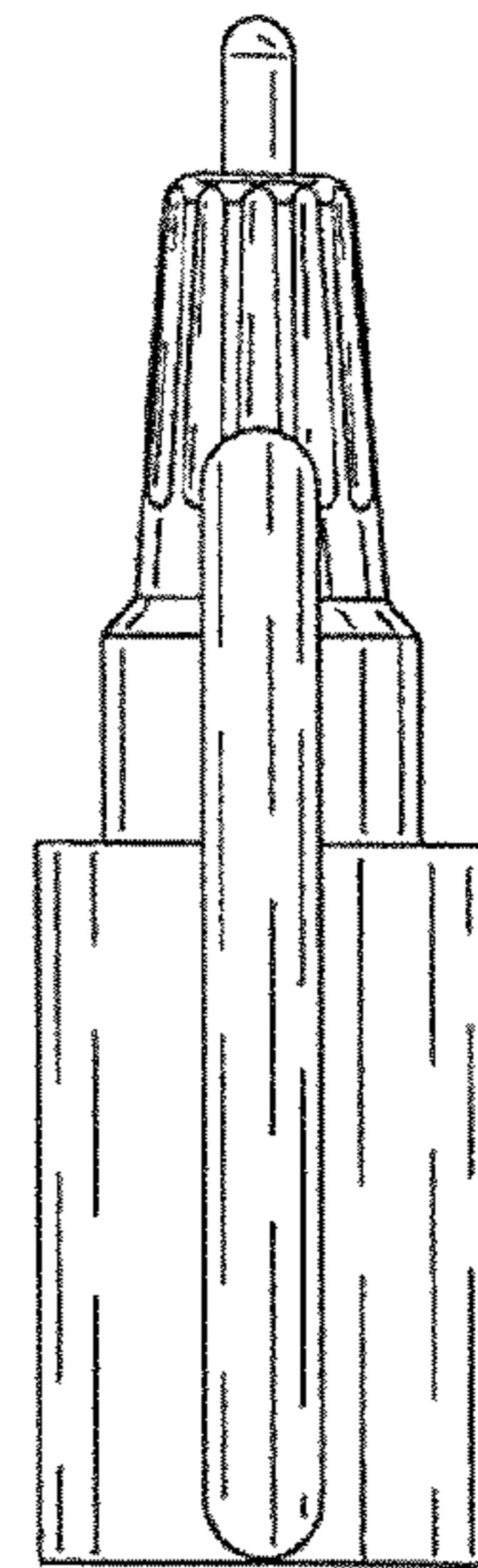


FIG. 5

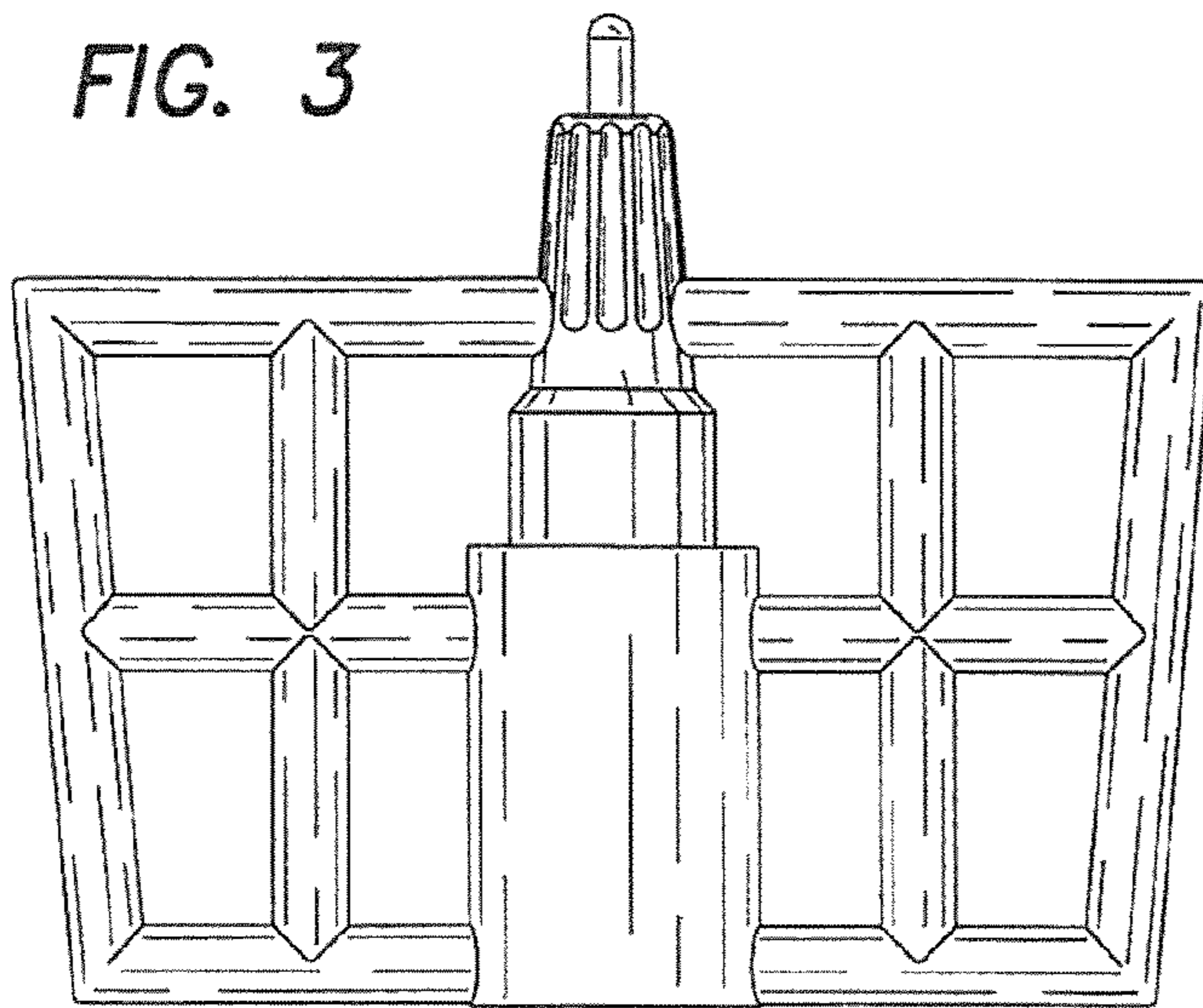


FIG. 3

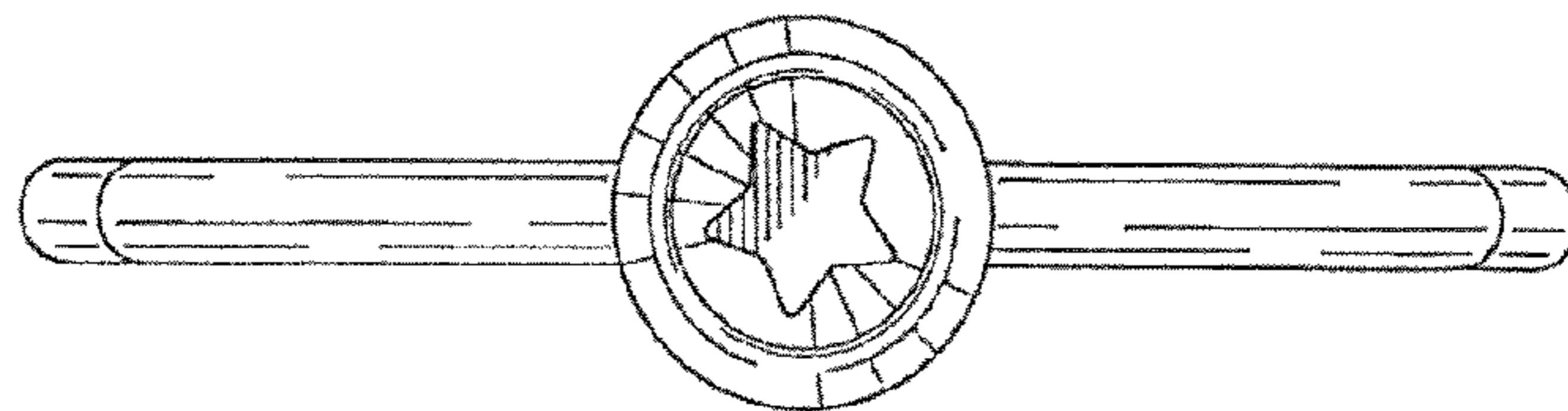


FIG. 7